



US00D595200S

(12) **United States Design Patent**  
**Rosenbohm**

(10) **Patent No.:** **US D595,200 S**  
(45) **Date of Patent:** **\*\* Jun. 30, 2009**

(54) **DOOR PANEL FOR AN AUTOMOBILE**  
(75) Inventor: **Oliver Rosenbohm**, Stuttgart (DE)  
(73) Assignee: **Dr. Ing. h.c.F. Porsche**  
**Aktiengesellschaft**, Weissach (DE)  
(\*\*) Term: **14 Years**  
(21) Appl. No.: **29/330,952**  
(22) Filed: **Jan. 16, 2009**

D521,917 S \* 5/2006 Takagi et al. .... D12/195  
D529,425 S \* 10/2006 Maezono et al. .... D12/195  
D529,850 S \* 10/2006 Yu et al. .... D12/195  
D531,101 S \* 10/2006 Yu et al. .... D12/195  
D533,821 S \* 12/2006 Tamagawa et al. .... D12/195  
D534,470 S \* 1/2007 Tsuchiya et al. .... D12/195  
D534,849 S \* 1/2007 Tamagawa et al. .... D12/195  
D536,650 S \* 2/2007 Young et al. .... D12/195  
D573,074 S \* 7/2008 Nakajima .... D12/195  
D577,645 S \* 9/2008 Wyszogrod et al. .... D12/195  
D577,646 S \* 9/2008 Wyszogrod et al. .... D12/195

\* cited by examiner

**Related U.S. Application Data**

(63) Continuation of application No. 29/281,412, filed on Jun. 22, 2007, now abandoned.

*Primary Examiner*—Stacia Cadmus

**Foreign Application Priority Data**

(30) Dec. 27, 2006 (DE) ..... 40606507

(57) **CLAIM**

The ornamental design for a door panel for an automobile, as shown and described.

(51) **LOC (9) Cl.** ..... **12-08**  
(52) **U.S. Cl.** ..... **D12/195**  
(58) **Field of Classification Search** ..... D12/190,  
D12/195, 196; 49/501–502; 296/37.1–37.13,  
296/149, 146.1, 153; D8/302–303  
See application file for complete search history.

**DESCRIPTION**

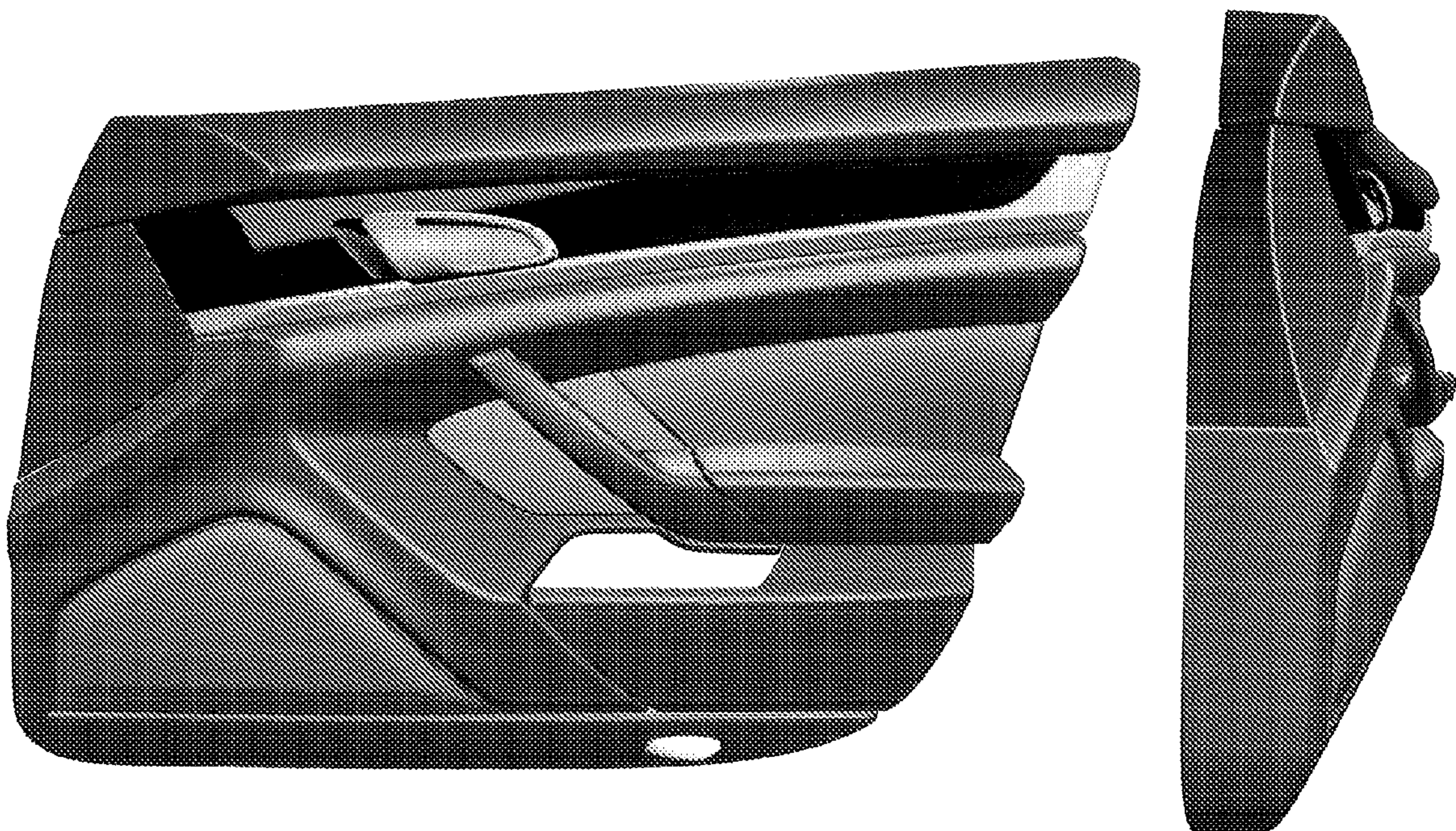
FIG. 1 is a front elevational view of the interior door panel showing my new design, the opposite side of the door panel does not form a part of the design, and the trim for the opposite door is substantially a mirror symmetrical part;  
FIG. 2 is a right-side view thereof;  
FIG. 3 is a left-side view thereof;  
FIG. 4 is top view thereof; and,  
FIG. 5 is a bottom view thereof.

(56) **References Cited**

**U.S. PATENT DOCUMENTS**

D463,343 S \* 9/2002 Siegert ..... D12/195  
D519,429 S \* 4/2006 Miyashita ..... D12/195

**1 Claim, 3 Drawing Sheets**



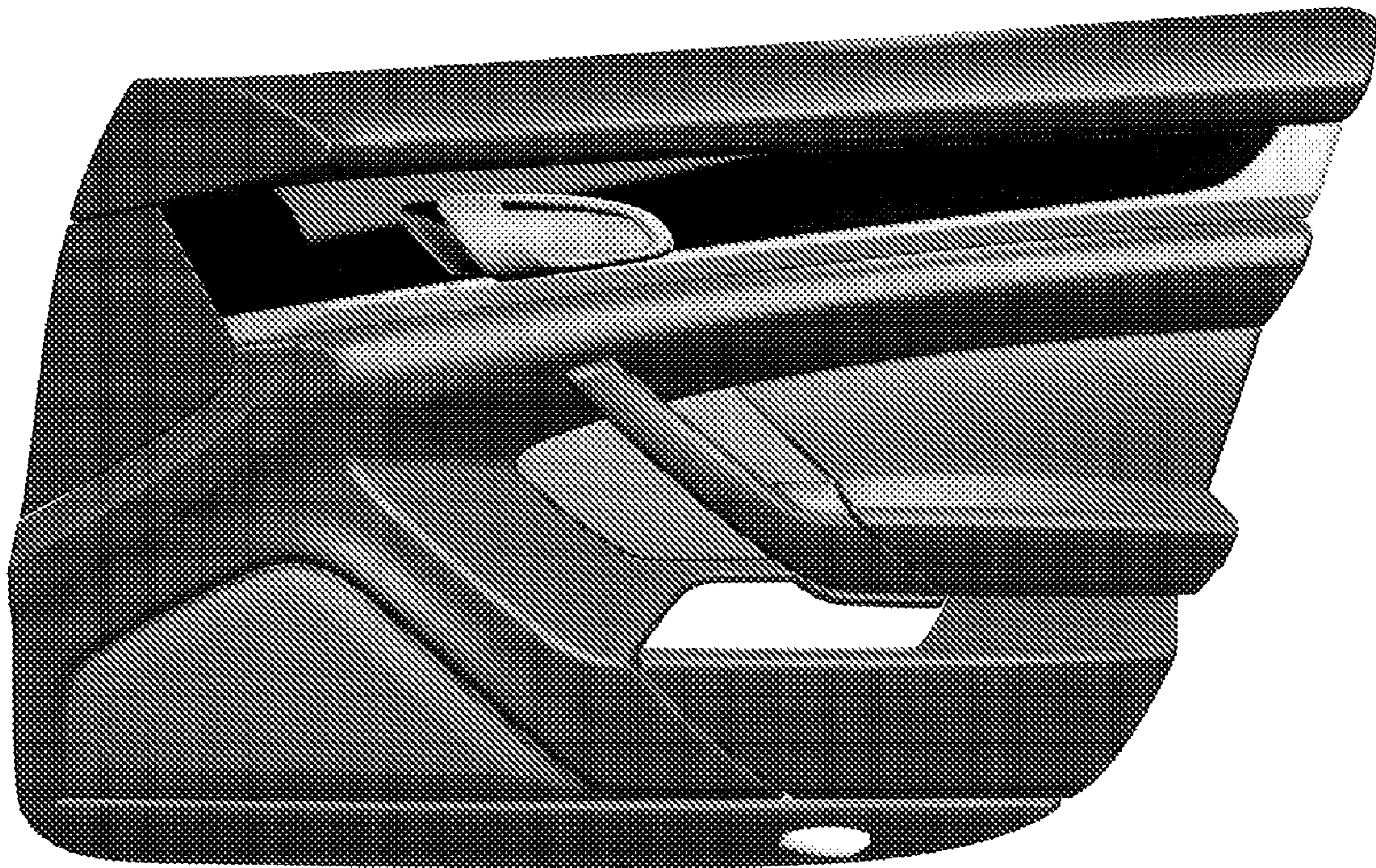


FIG. 1

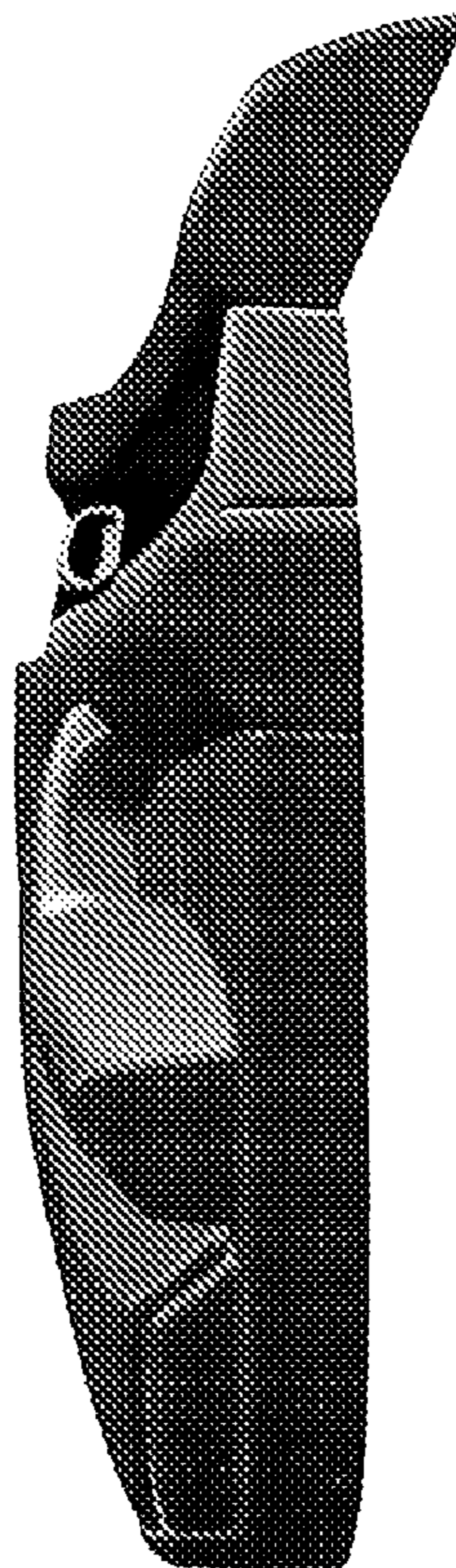


FIG. 2

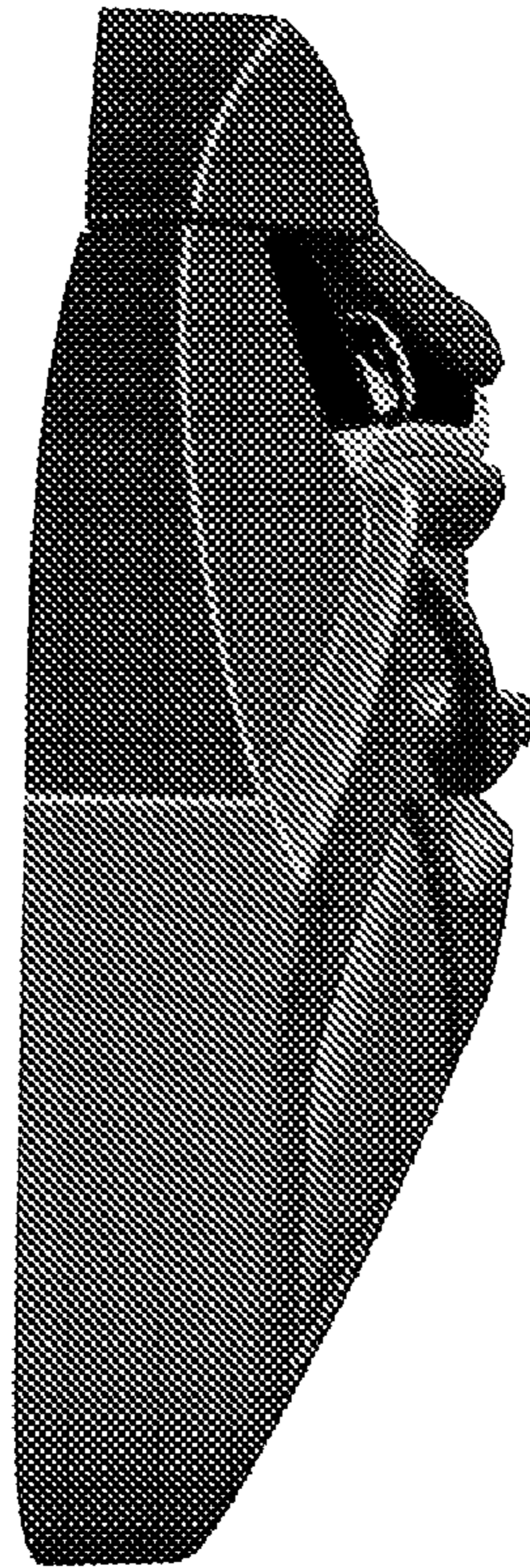


FIG. 3

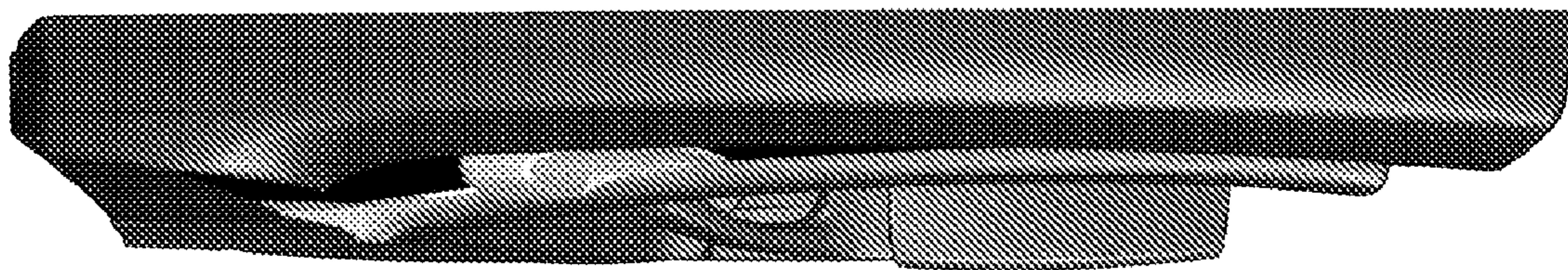


FIG. 4

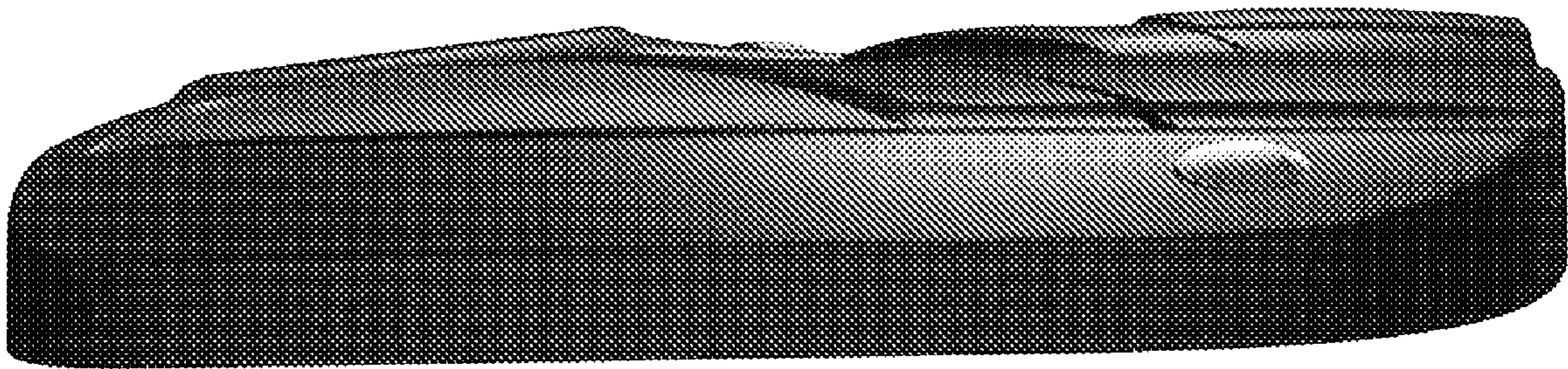


FIG. 5