



US00D595190S

(12) **United States Design Patent**
Madden

(10) **Patent No.:** **US D595,190 S**
(45) **Date of Patent:** **** Jun. 30, 2009**

(54) **MOTORCYCLE TIMING COVER**

(75) Inventor: **Kenneth E. Madden**, Andover, MN
(US)

(73) Assignee: **Kuraykyn Holdings, Inc.**, Somerset, WI
(US)

(**) Term: **14 Years**

(21) Appl. No.: **29/310,409**

(22) Filed: **Aug. 14, 2008**

(51) **LOC (9) Cl.** **12-11**

(52) **U.S. Cl.** **D12/126**

(58) **Field of Classification Search** D12/126,
D12/127, 110, 114; 123/198 E, 198 R, 195 C,
123/90.27, 90.31, 90.37, 90.38; 180/219,
180/346; 280/288.4, 304.3; D15/1-5; 74/569,
74/609, 609 R, 608, 568 T
See application file for complete search history.

(56) **References Cited**

U.S. PATENT DOCUMENTS

D354,462 S * 1/1995 Davidson et al. D12/126
D363,691 S * 10/1995 Davidson et al. D12/126
6,752,119 B2 * 6/2004 Coleman 123/195 C

OTHER PUBLICATIONS

2007 Kuryakyn Accessories for Harley Catalog (3 pages).

* cited by examiner

Primary Examiner—Robin V Webster

Assistant Examiner—Linda Brooks

(74) *Attorney, Agent, or Firm*—Dicke, Billig & Czaja, PLLC

(57) **CLAIM**

The ornamental design for a motorcycle timing cover, as shown and described.

DESCRIPTION

FIG. 1 is a front perspective view of the motorcycle timing cover of the present invention.

FIG. 2 is a front elevation view thereof.

FIG. 3 is a rear elevation view thereof.

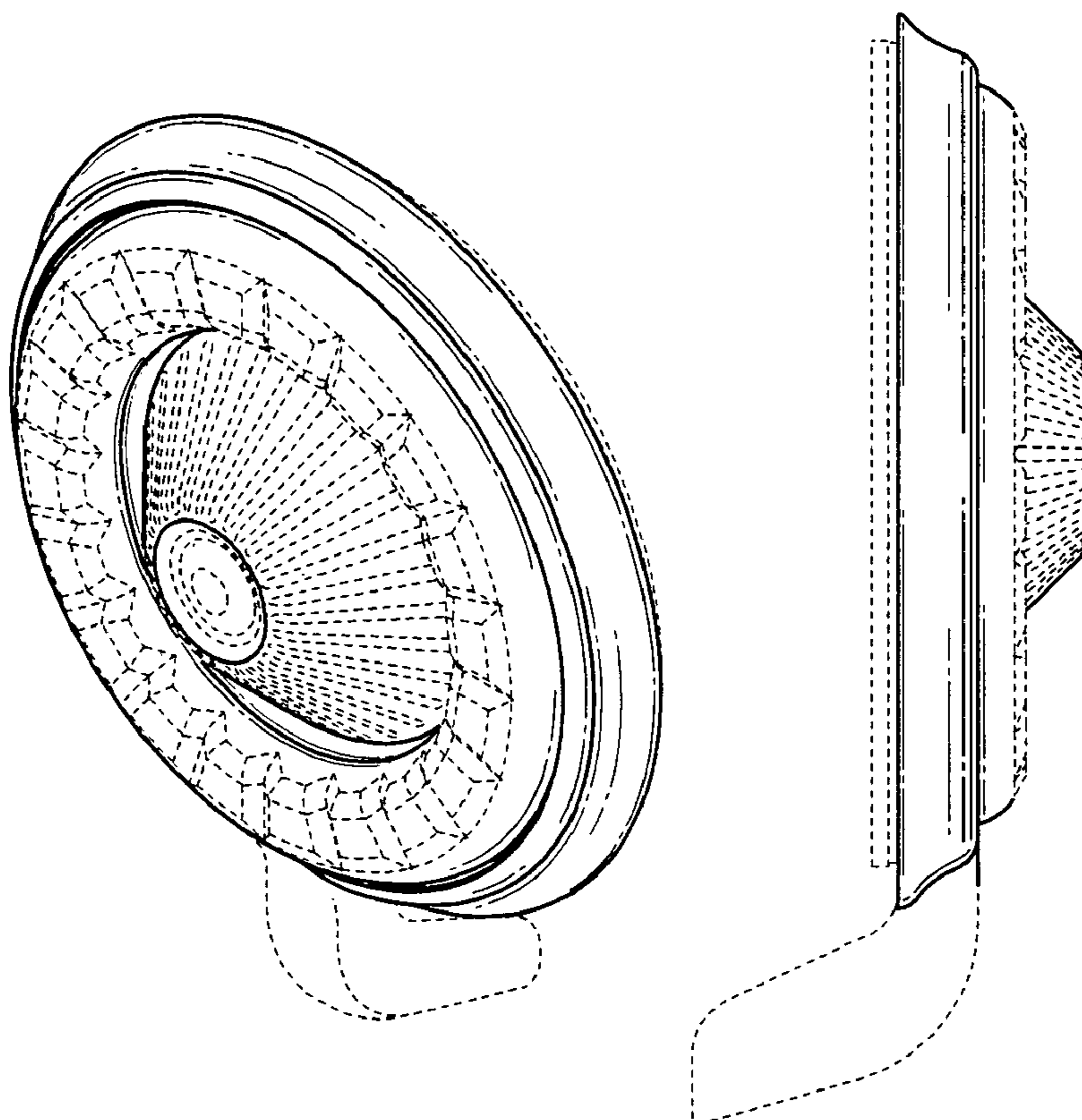
FIG. 4 is a top view thereof.

FIG. 5 is a bottom view thereof; and,

FIG. 6 is a right side view thereof, the left side being a mirror image of the right side.

The rear surface, front surface portions and lower protrusion of the motorcycle timing cover shown in broken lines form no part of the claimed design.

1 Claim, 4 Drawing Sheets



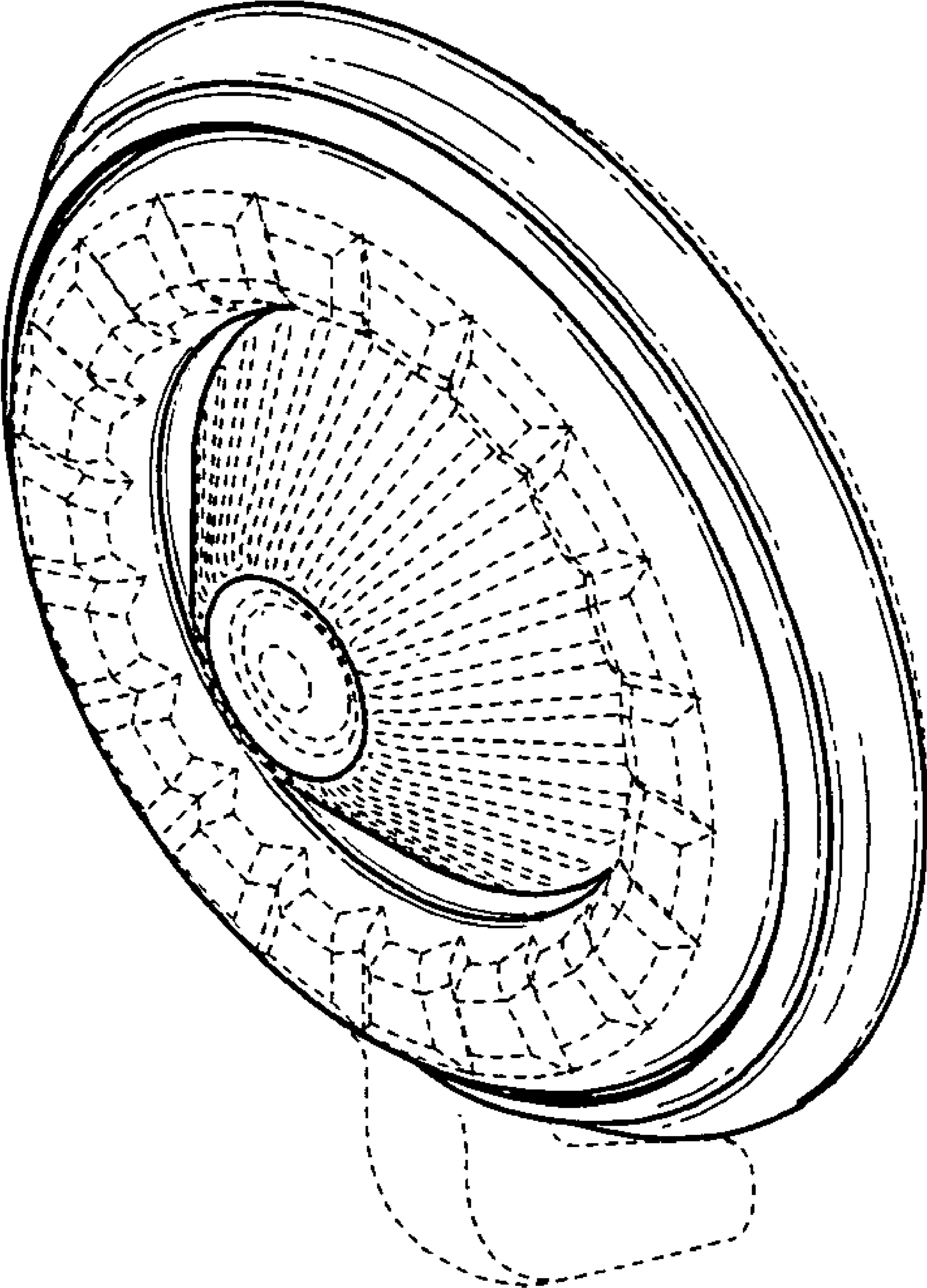


Fig. 1

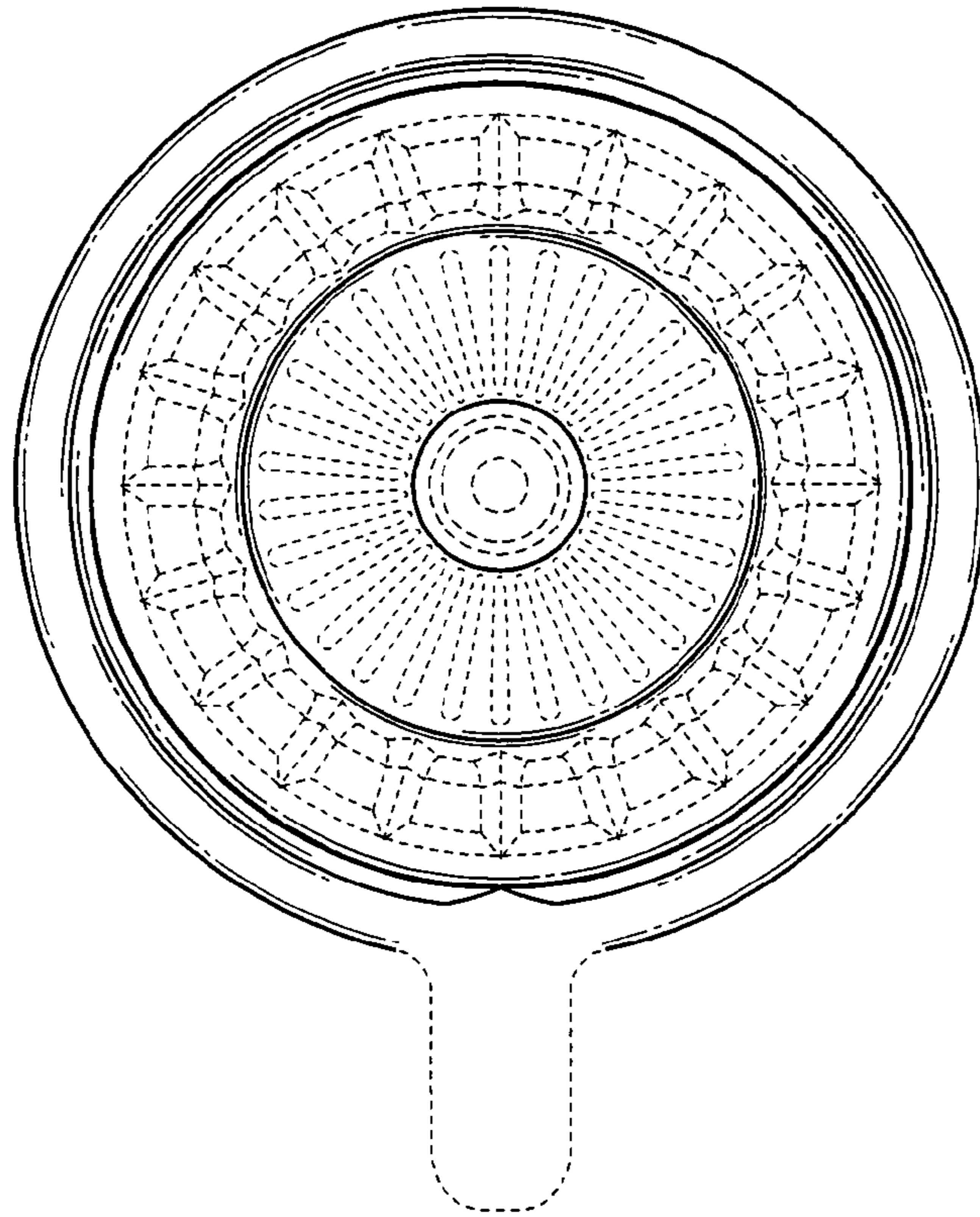


Fig. 2

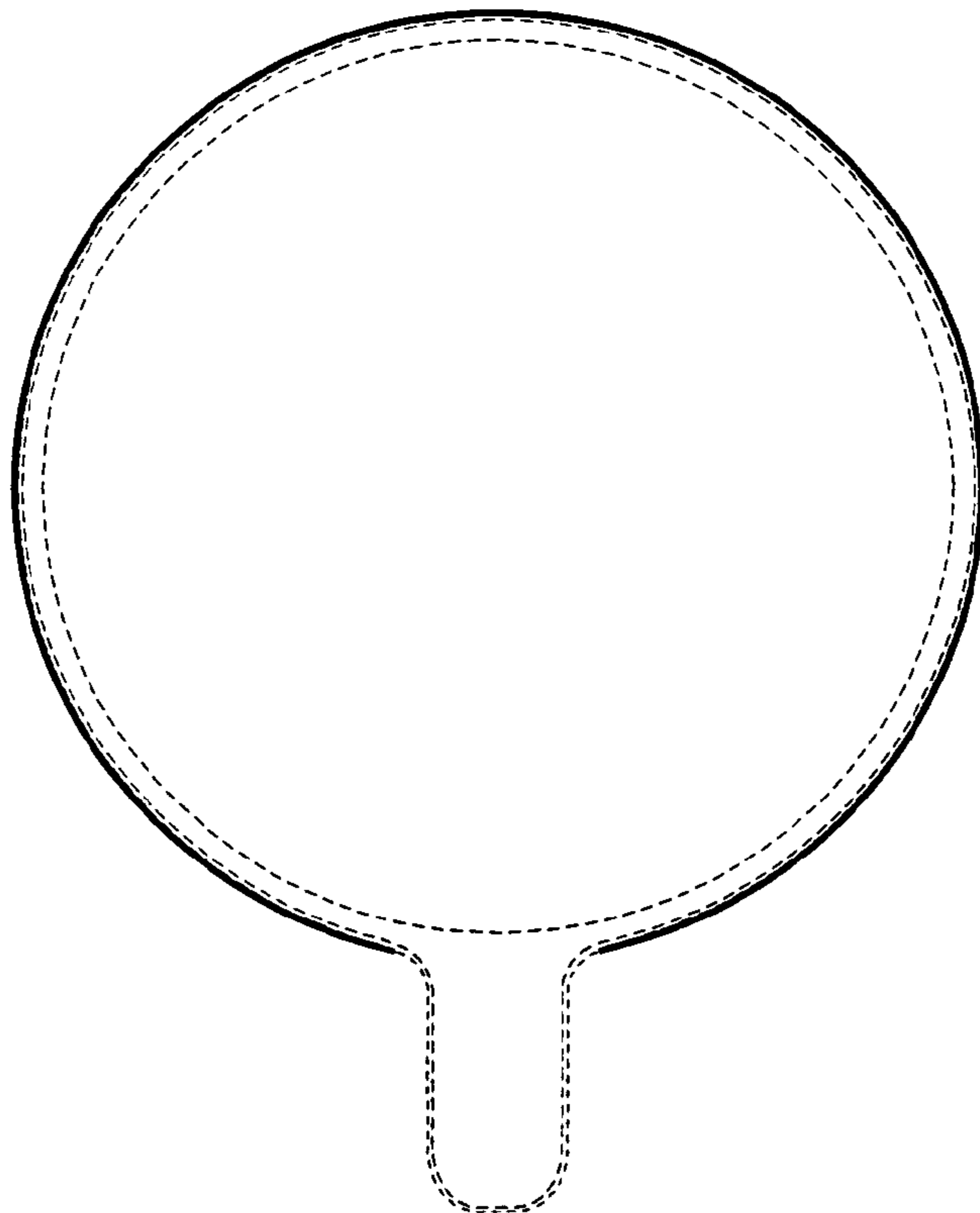


Fig. 3

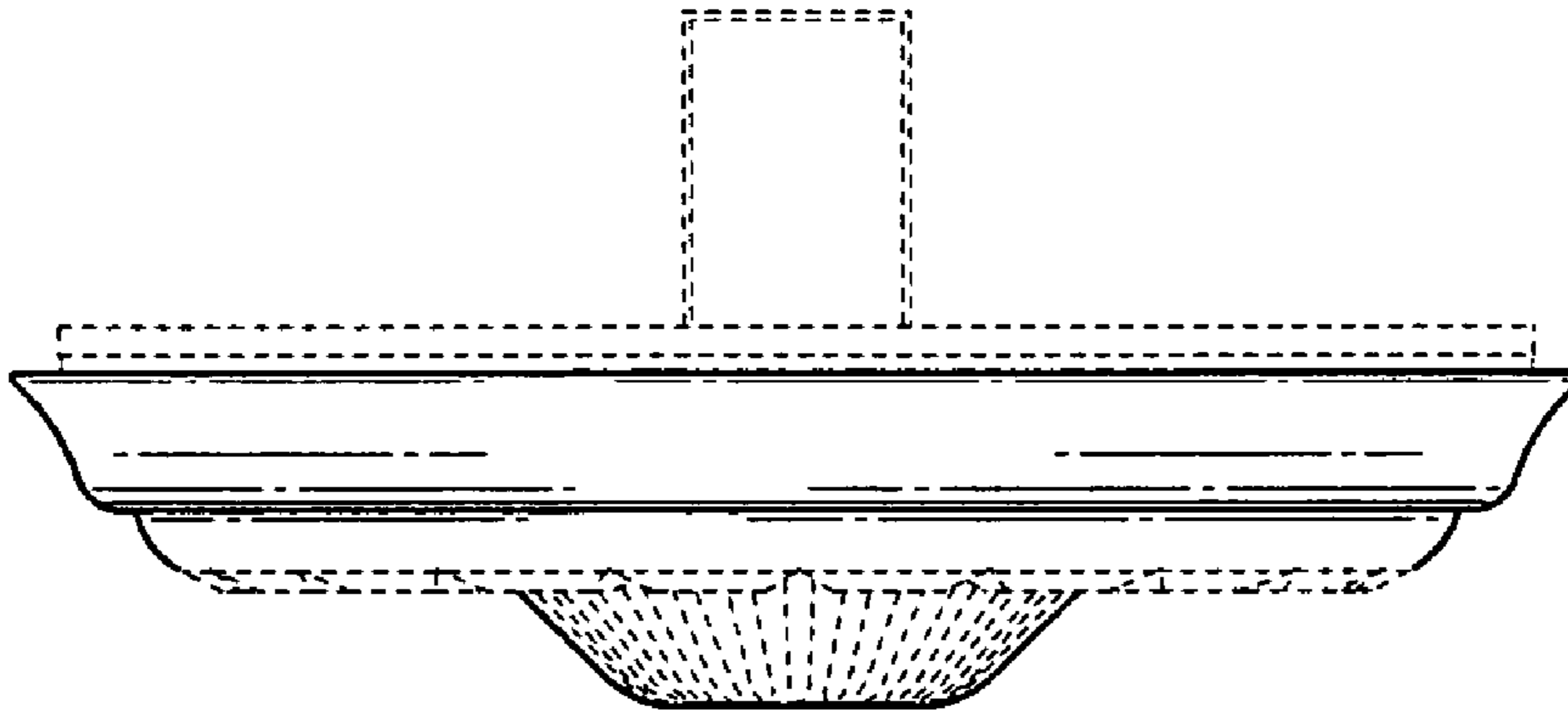


Fig. 4

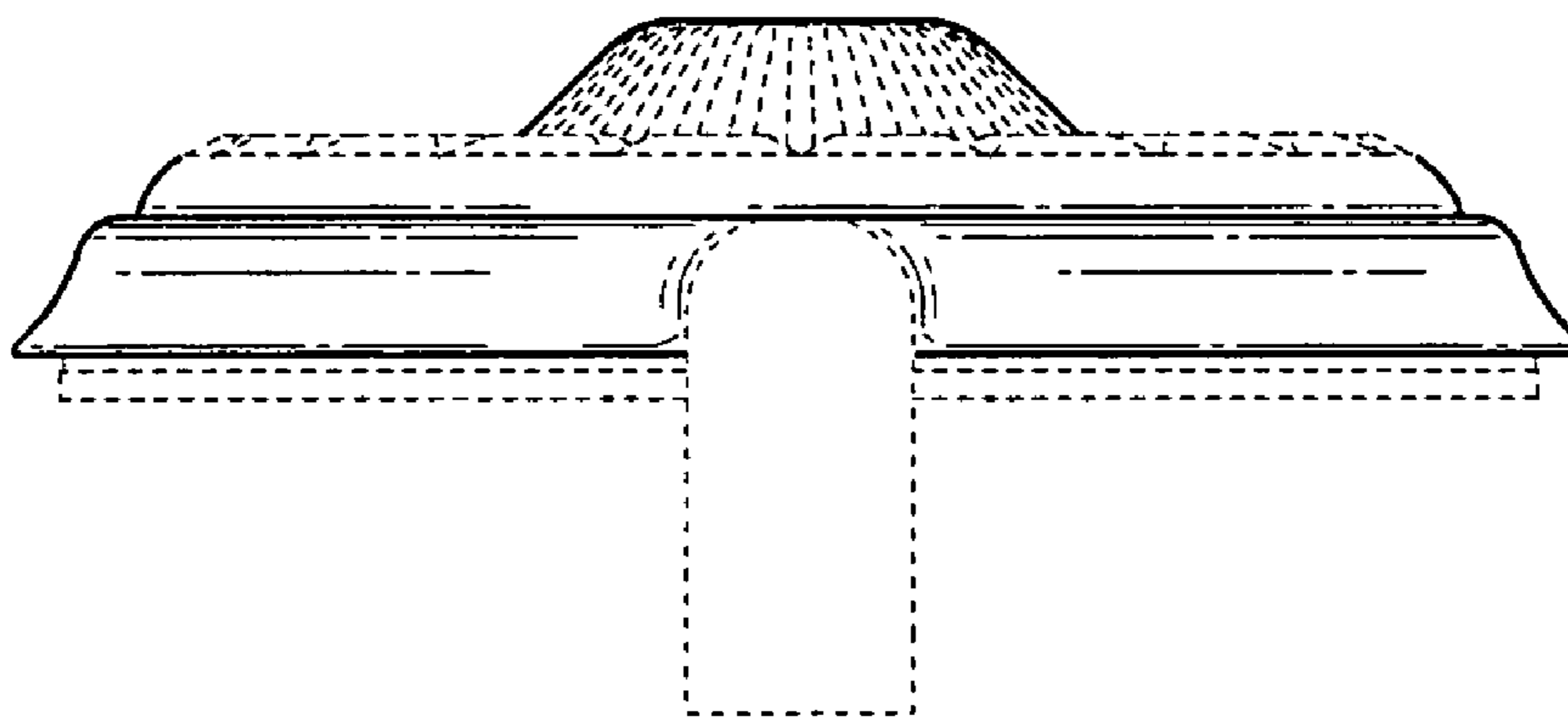


Fig. 5

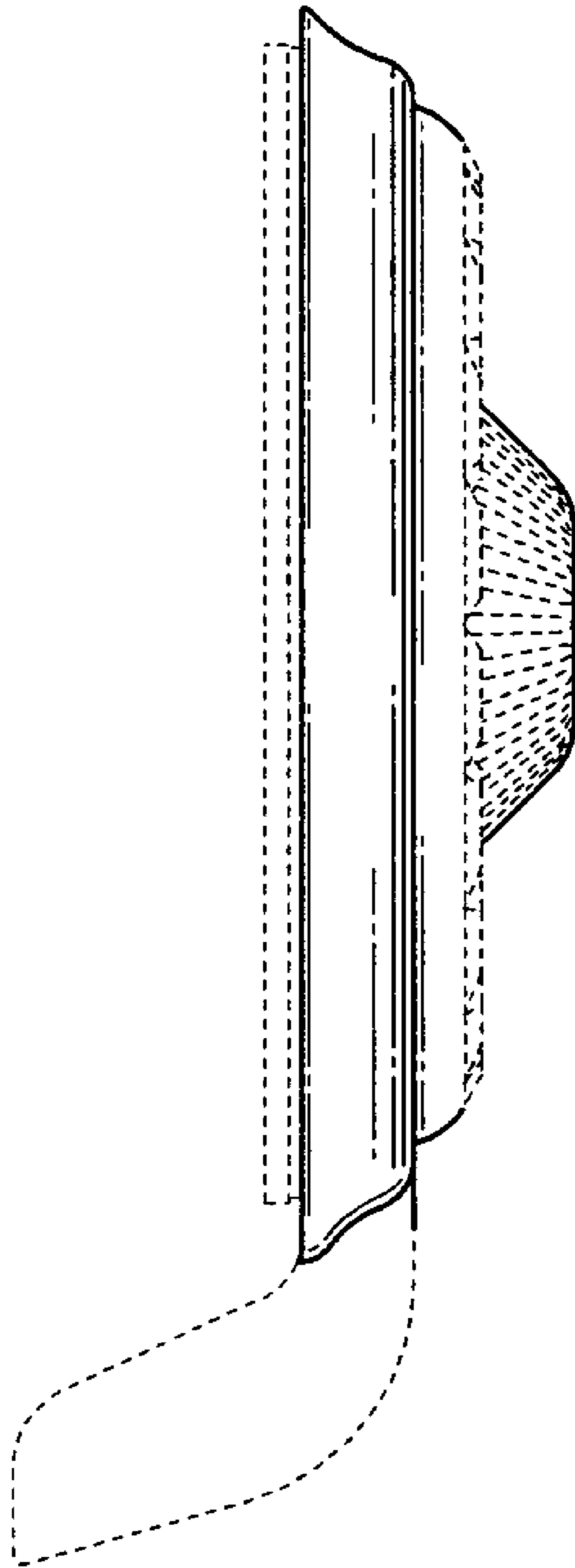


Fig. 6