



US00D595189S

(12) **United States Design Patent**  
**Palmer**

(10) **Patent No.:** **US D595,189 S**  
(45) **Date of Patent:** **\*\* Jun. 30, 2009**

(54) **BIKE RACK**

(76) Inventor: **Geoff Palmer**, 1072 Folsom St. #328,  
San Francisco, CA (US) 94103

(\*\*) Term: **14 Years**

(21) Appl. No.: **29/313,203**

(22) Filed: **Dec. 15, 2008**

(51) **LOC (9) Cl.** ..... **12-11**

(52) **U.S. Cl.** ..... **D12/115**

(58) **Field of Classification Search** ..... D12/115,  
D12/120; 211/5, 17-22, 181.1, 182, 196;  
D6/462, 449, 458, 552; 248/127, 163.1,  
248/176.1, 175, 153, 158, 156, 551, 558;  
D25/35, 38, 39, 45, 152, 156-159, 164, 42-44;  
256/1, 11, 19, 22, 32-44, 63, 64, 65.01, 65.16,  
256/59, 73; 47/32.4, 32.7, 33; 280/296,  
280/297, 293, 304; 52/300

See application file for complete search history.

(56) **References Cited**

**U.S. PATENT DOCUMENTS**

5,161,784 A \* 11/1992 Sader ..... 256/24  
D518,419 S \* 4/2006 Smith ..... D12/115  
D543,906 S \* 6/2007 Hoadley et al. .... D12/115

\* cited by examiner

*Primary Examiner*—Robin V Webster

*Assistant Examiner*—Linda Brooks

(74) *Attorney, Agent, or Firm*—H. Michael Brucker

(57) **CLAIM**

I claim the ornamental design for a bicycle rack, as shown and described.

**DESCRIPTION**

FIG. 1 is an upper right front perspective view;

FIG. 2 is a front elevational view;

FIG. 3 is a left side elevational view, the right side is a mirror image thereof;

FIG. 4 is a rear elevational view;

FIG. 5 is a top plan view;

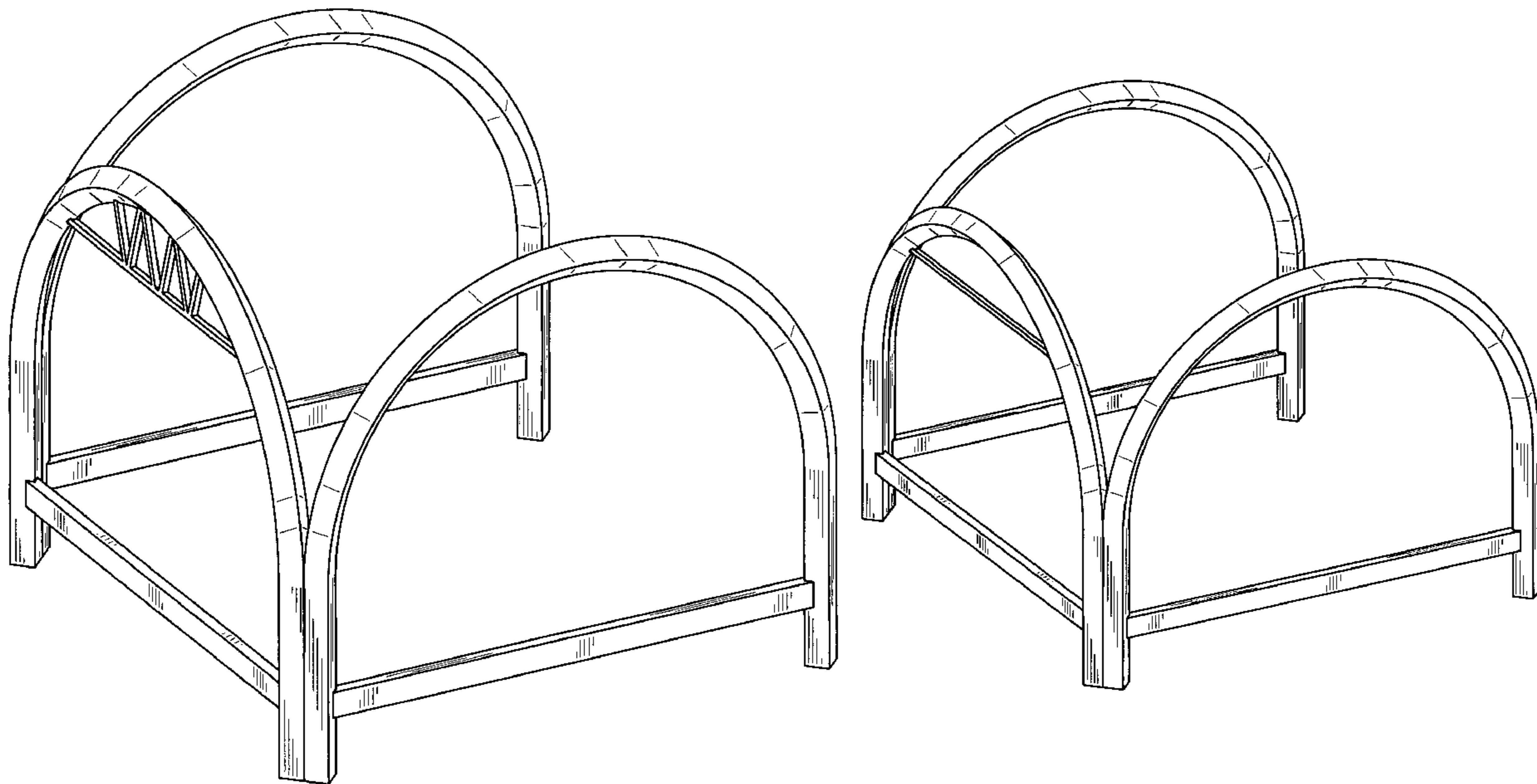
FIG. 6 is a bottom plan view;

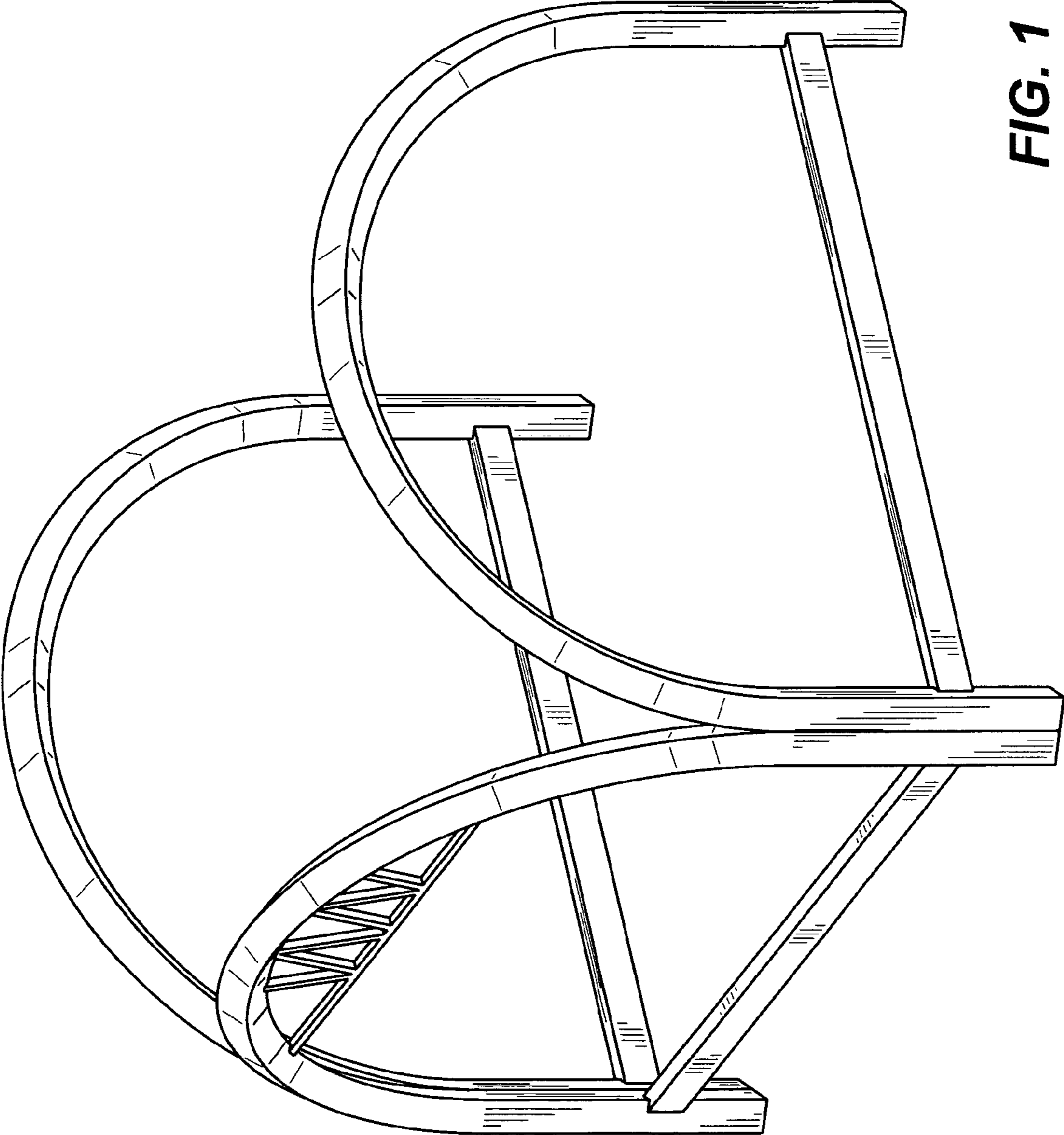
FIG. 7 is an upper right front perspective view of an alternate embodiment; and,

FIG. 8 is a front elevational view of the alternate embodiment.

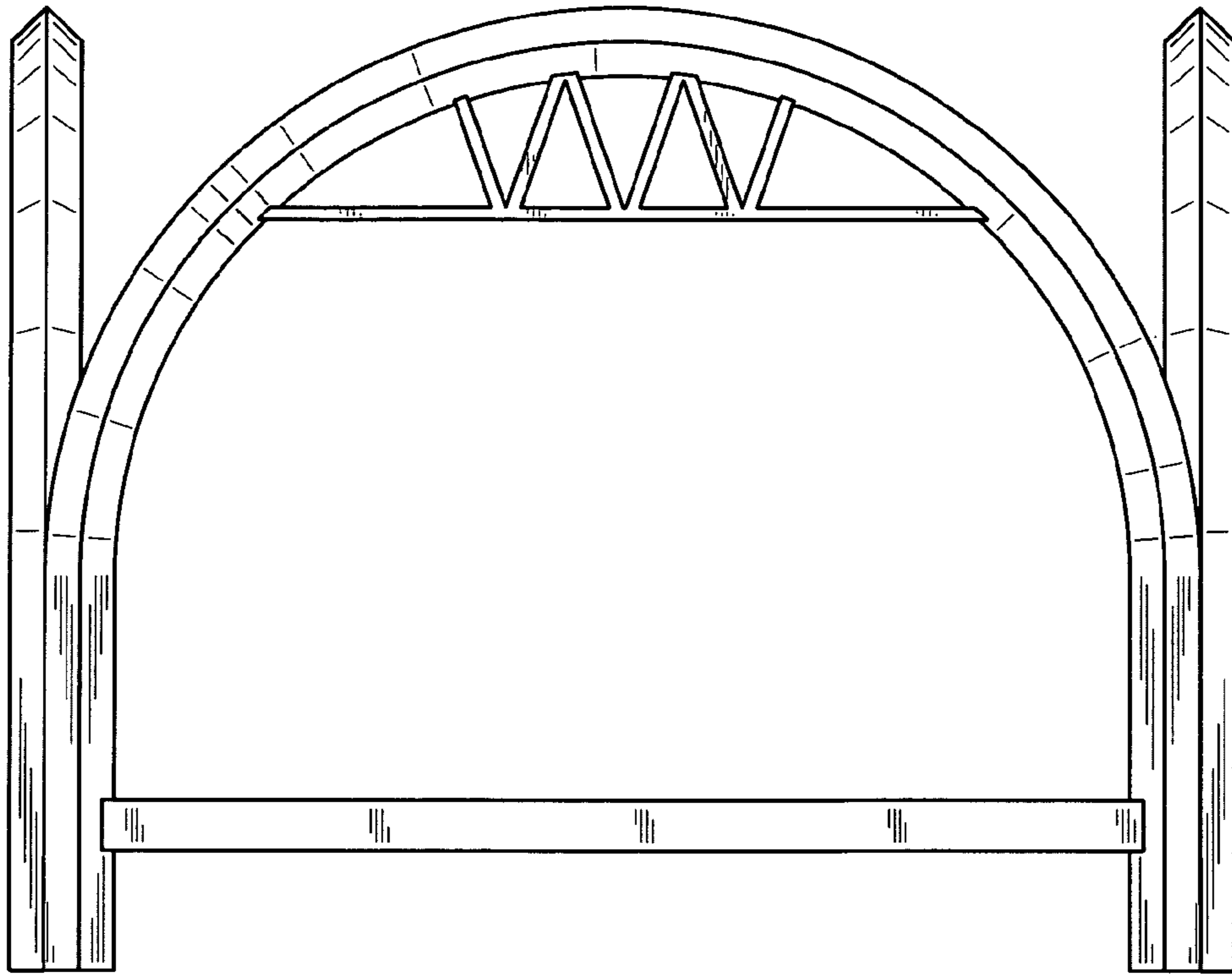
The top, bottom and side views of the alternate embodiment are identical to the first embodiment.

**1 Claim, 6 Drawing Sheets**

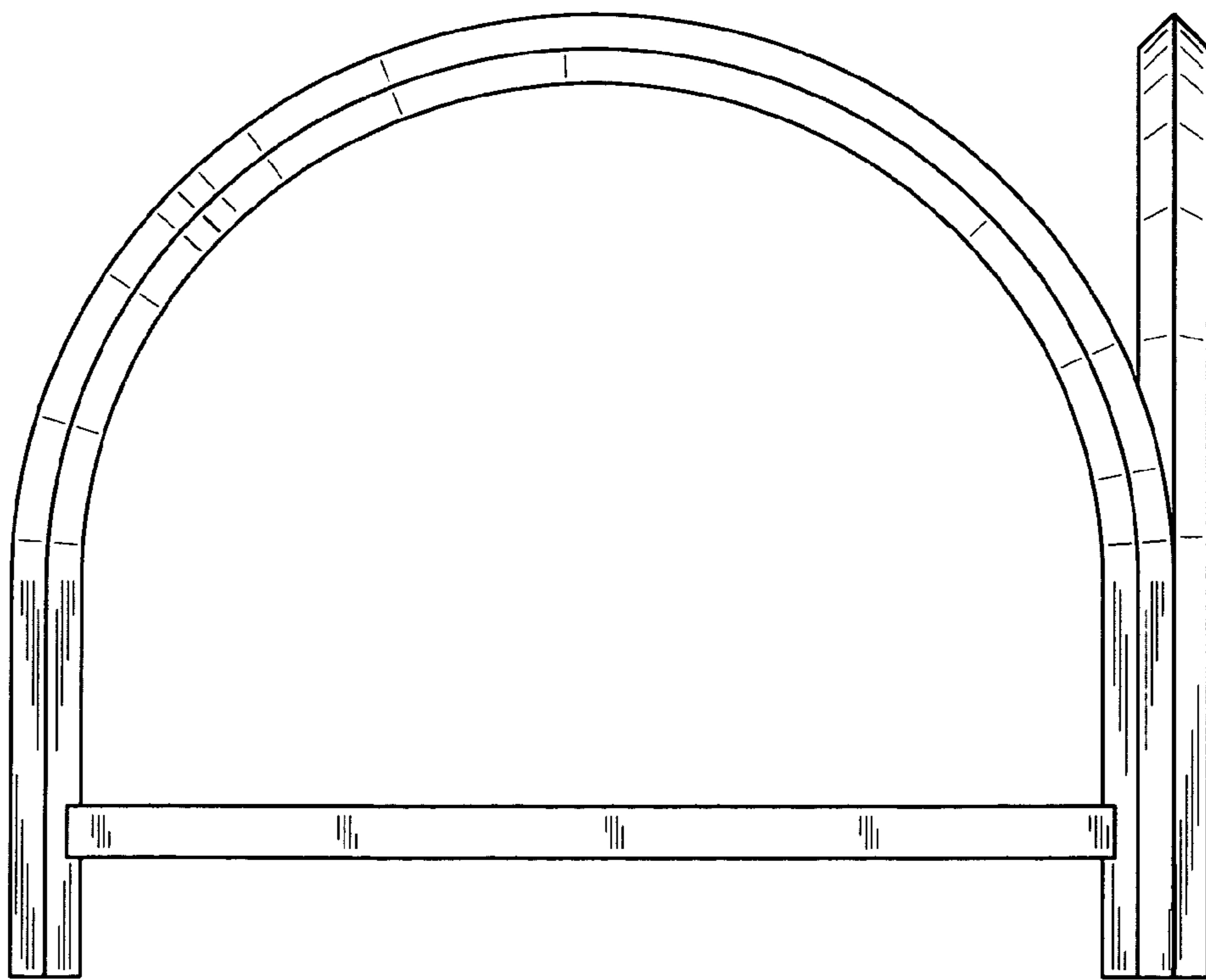




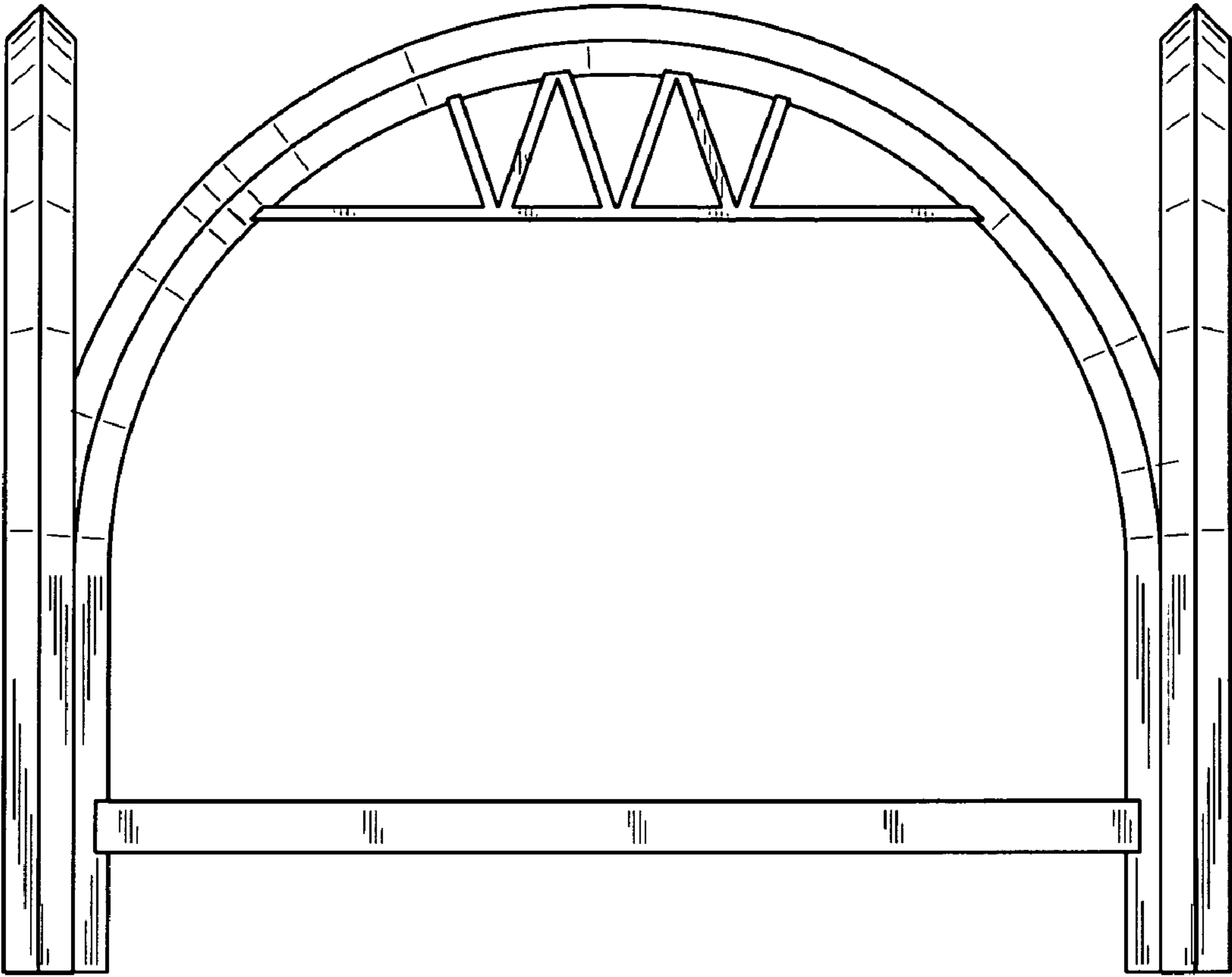
**FIG. 1**



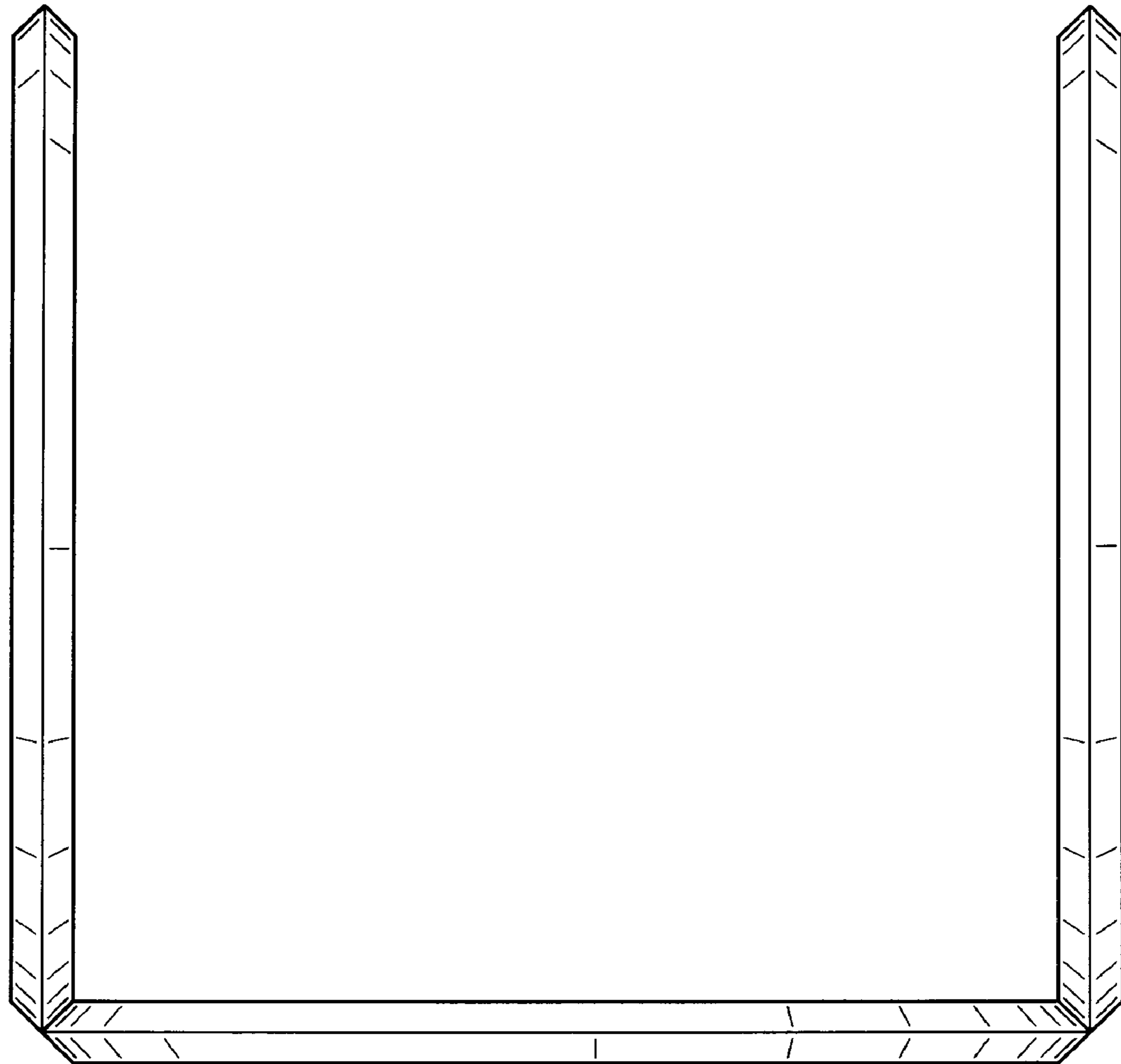
**FIG. 2**



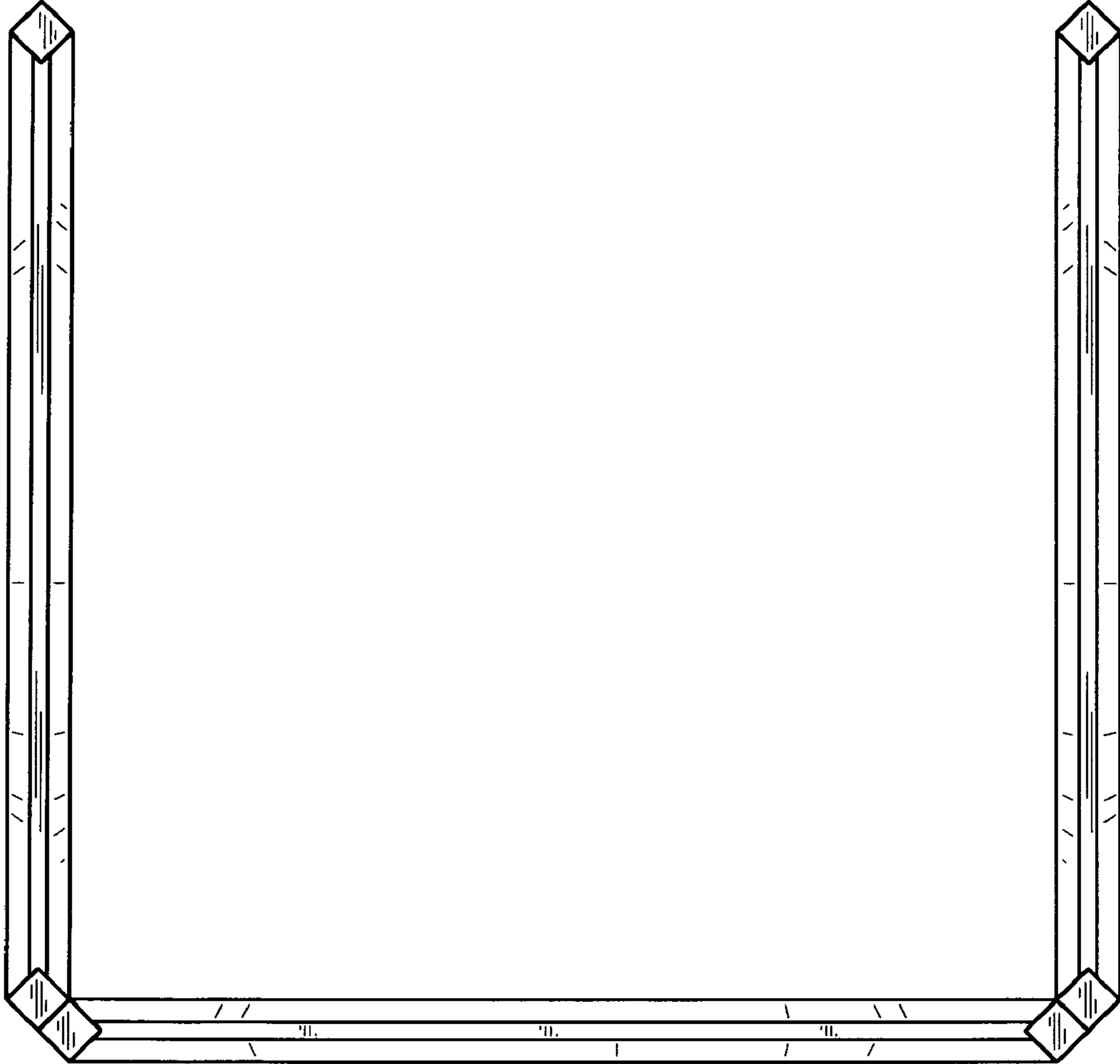
**FIG. 3**



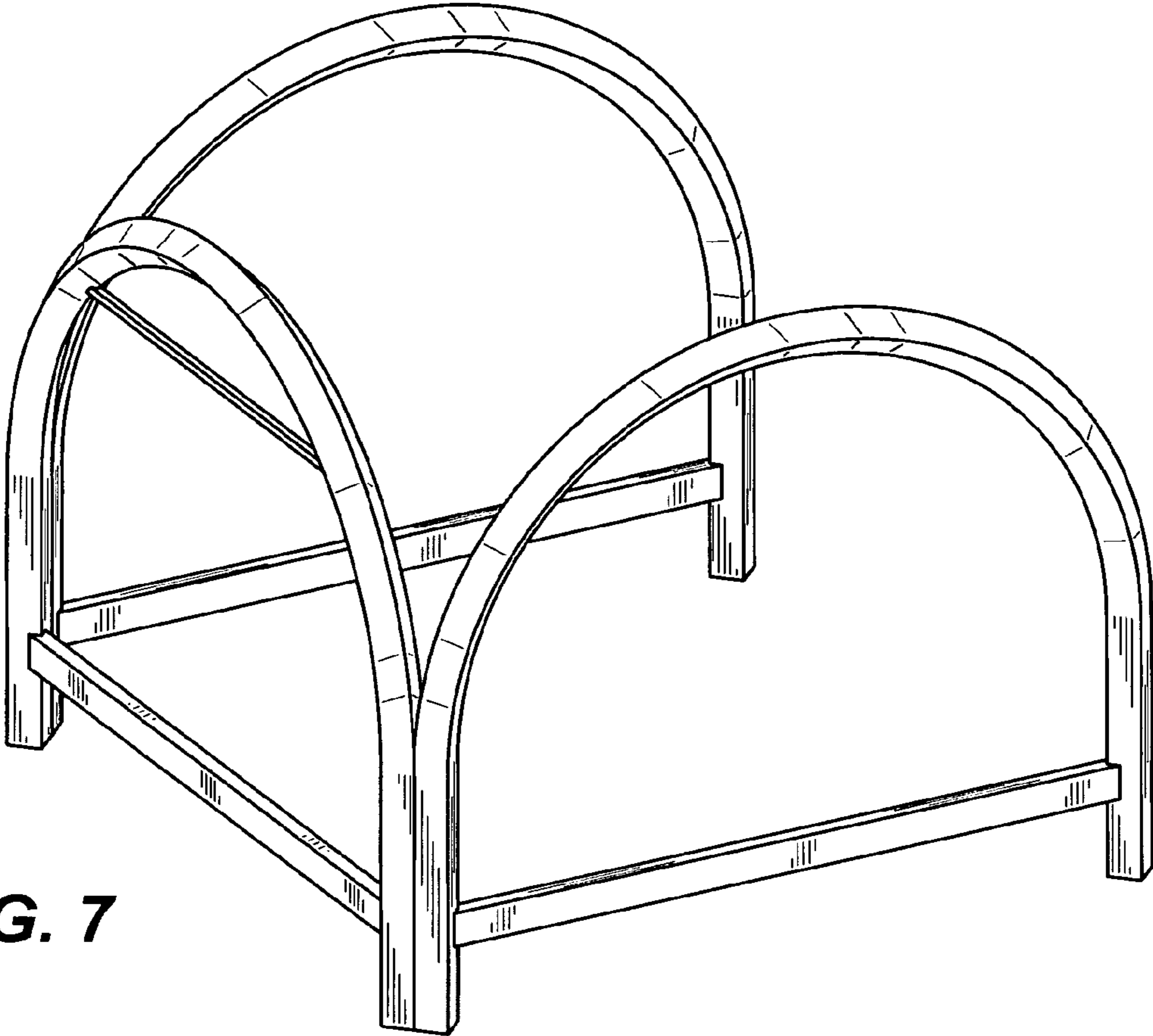
**FIG. 4**



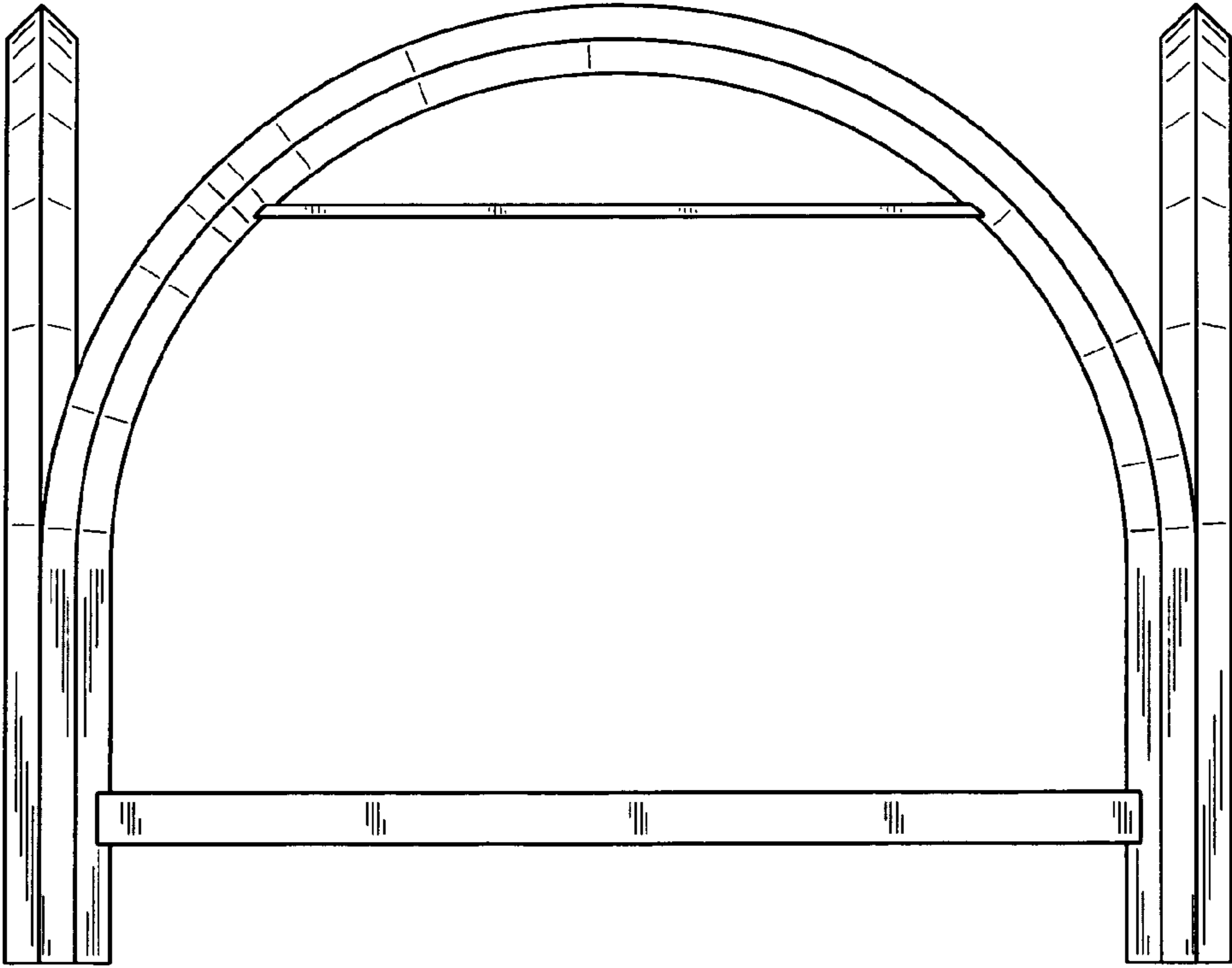
**FIG. 5**



**FIG. 6**



**FIG. 7**



**FIG. 8**