



US00D595177S

(12) **United States Design Patent**
Strauzer et al.

(10) **Patent No.:** **US D595,177 S**
(45) **Date of Patent:** **** Jun. 30, 2009**

(54) **JEWELRY**

(75) Inventors: **David Strauzer**, New York, NY (US);
Paul Carter, Somis, CA (US)

(73) Assignee: **Moshe Namdar and Associates, LLC**,
New York, NY (US)

(**) Term: **14 Years**

(21) Appl. No.: **29/304,982**

(22) Filed: **Mar. 11, 2008**

(51) **LOC (9) Cl.** **11-01**

(52) **U.S. Cl.** **D11/79**

(58) **Field of Classification Search** D11/79,
D11/80, 81, 82, 83, 84, 85, 89, 90, 95-105,
D11/108, 109, 115, 116, 131, 132, 133, 140,
D11/141, 157, 159, 164, 184, 121; 63/1.11,
63/1.12, 1.13, 1.14, 1.16, 1.18, 13, 14.1,
63/35, 38, 39, 3.1, 20, 23, 33, 40, 42

See application file for complete search history.

(56) **References Cited**

U.S. PATENT DOCUMENTS

D166,975 S *	6/1952	Katz	D11/77
D334,725 S *	4/1993	White	D11/96
D411,965 S *	7/1999	Ruegg, Sr.	D11/40
D429,474 S *	8/2000	Stein	D11/79
D459,266 S *	6/2002	Rizzetto	D11/79
D579,373 S *	10/2008	Rosenthal	D11/79
2007/0234757 A1 *	10/2007	Sherman	63/18

OTHER PUBLICATIONS

http://www.amazon.com/Tone-Diamond-Circle-Pendant-Chain/dp/B000JCQ38C/ref=sr_1_812?ie=UTF8&s=jewelry&qid=123013108&sr=1-812 1 page.*

http://www.bluenile.com/sterling-silver-necklace_8150?oid1=2531&oid2=2530&oid3=7254&nav1=jewelry_segment.jsp&catid=84&set_shape=2 pages.*

http://www.amazon.com/Courage-and-Strength-Necklace/dp/B000A2TTCS/ref=sr_1_1596?ie=UTF8&s=jewelry&qid=1230134138&sr=1-1596 1 page.*

1 page from Tiffany.com.*

Zales, Diamond Accent Double Circle Necklace, www.zales.com, 1 Page.*

* cited by examiner

Primary Examiner—T. Chase Nelson

Assistant Examiner—Ania K Dworzecka

(74) *Attorney, Agent, or Firm*—Lowenstein Sandler PC

(57) **CLAIM**

The ornamental design for jewelry, as shown and described.

DESCRIPTION

FIG. 1 is a perspective view of jewelry showing the new design;

FIG. 2 is a front elevation view;

FIG. 3 is a rear elevation view;

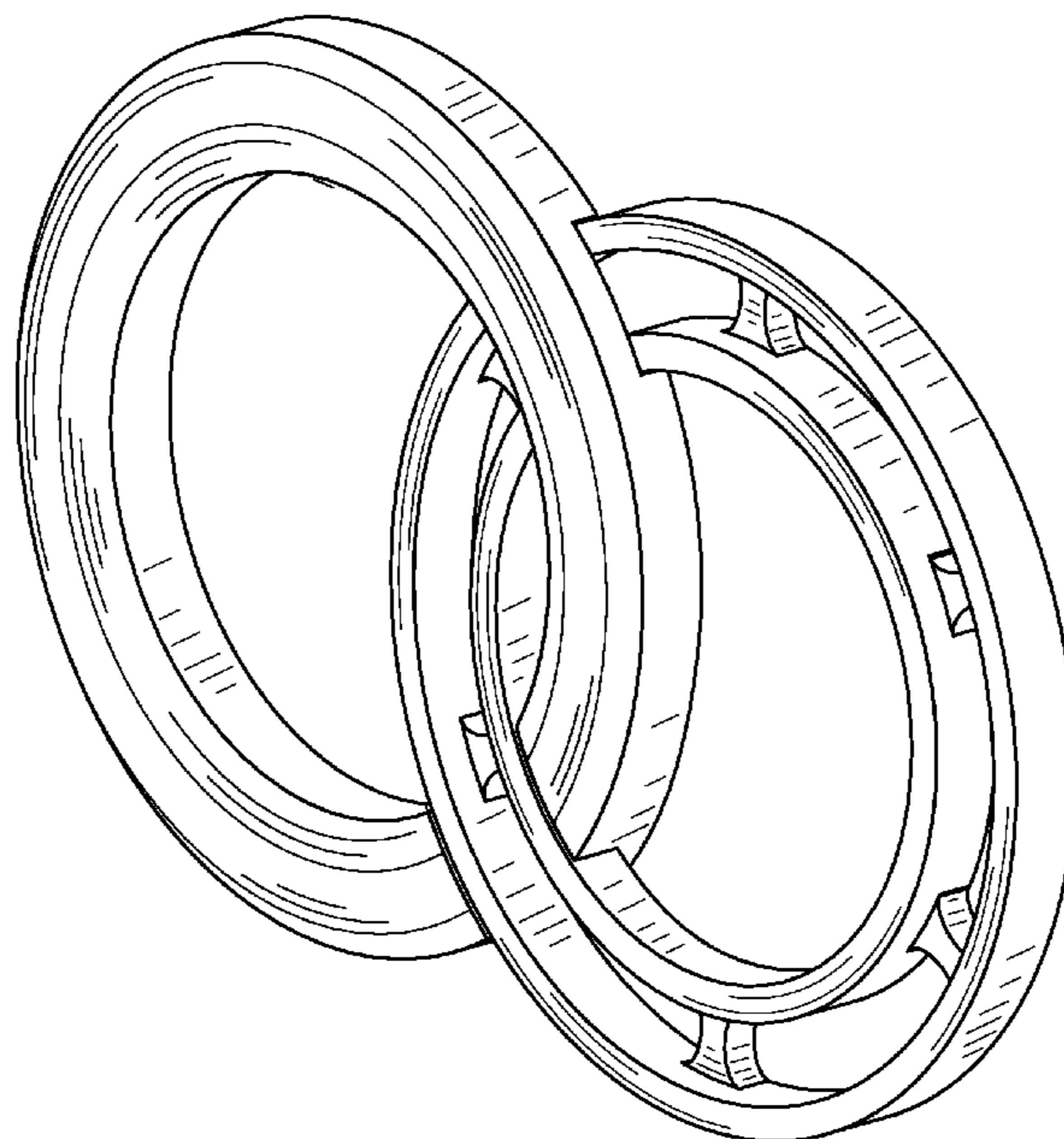
FIG. 4 is a right side elevation view;

FIG. 5 is a left side elevation view;

FIG. 6 is a top plan view; and,

FIG. 7 is a bottom plan view.

1 Claim, 3 Drawing Sheets



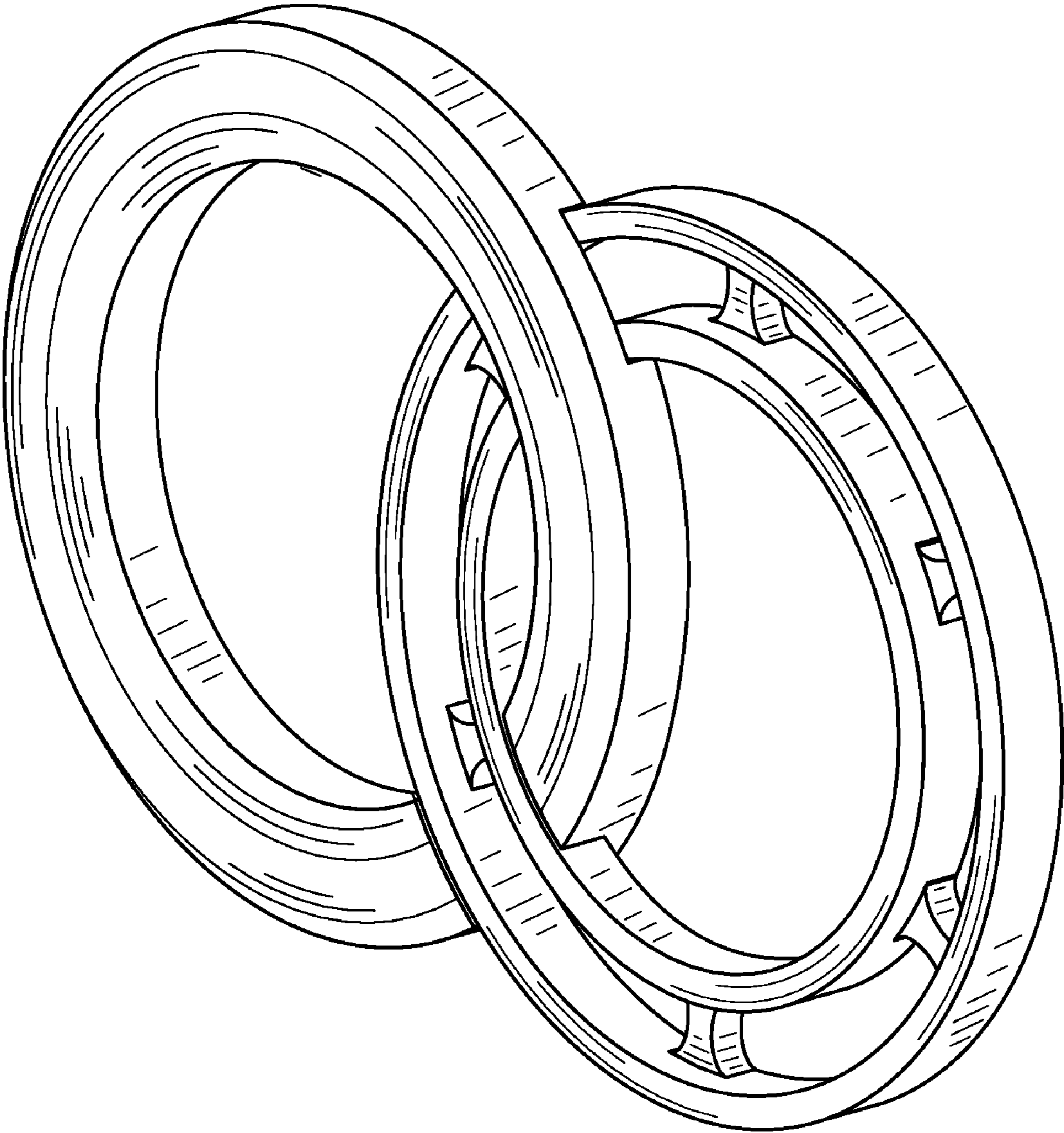


FIG. 1

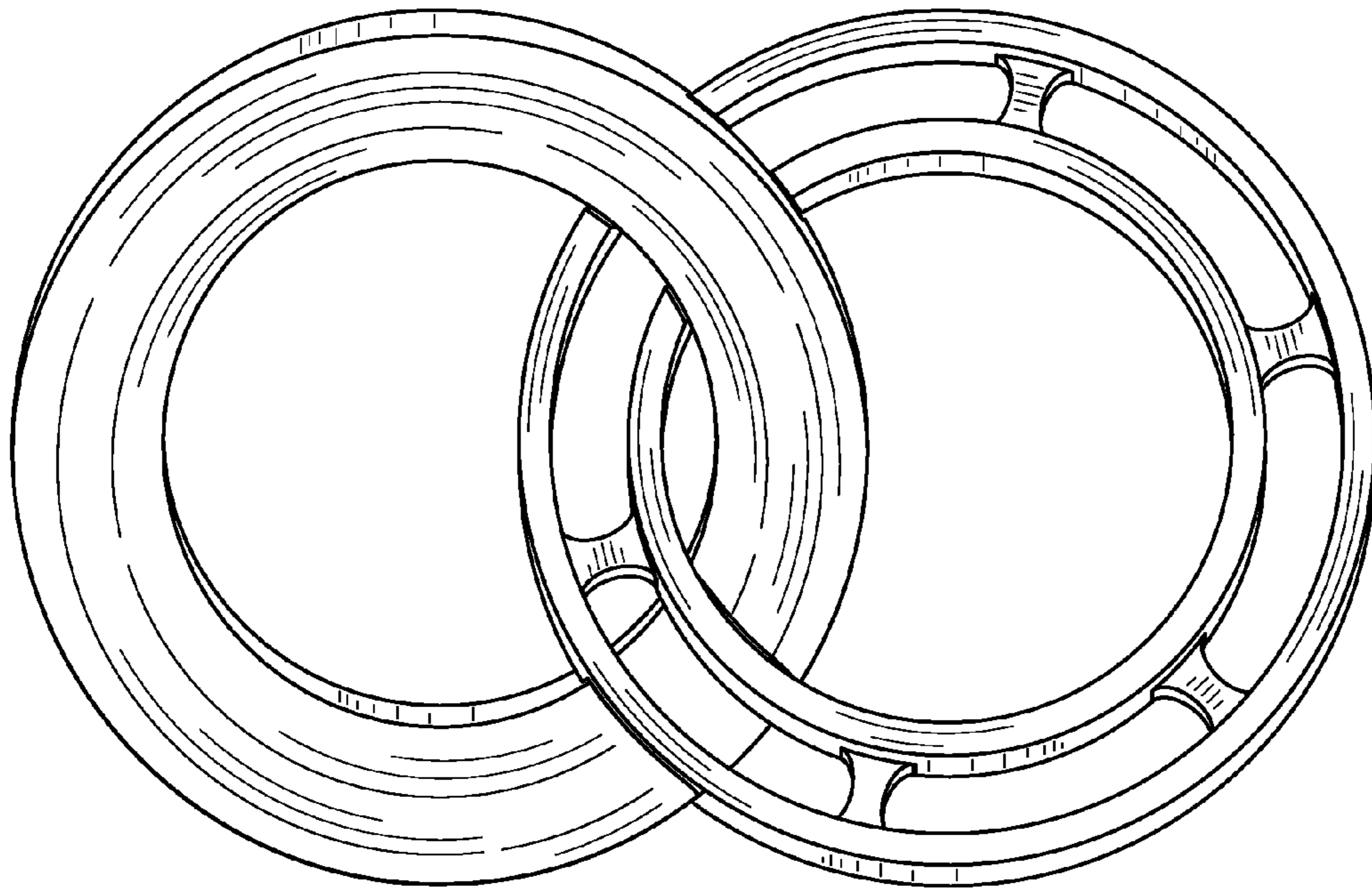


FIG. 2

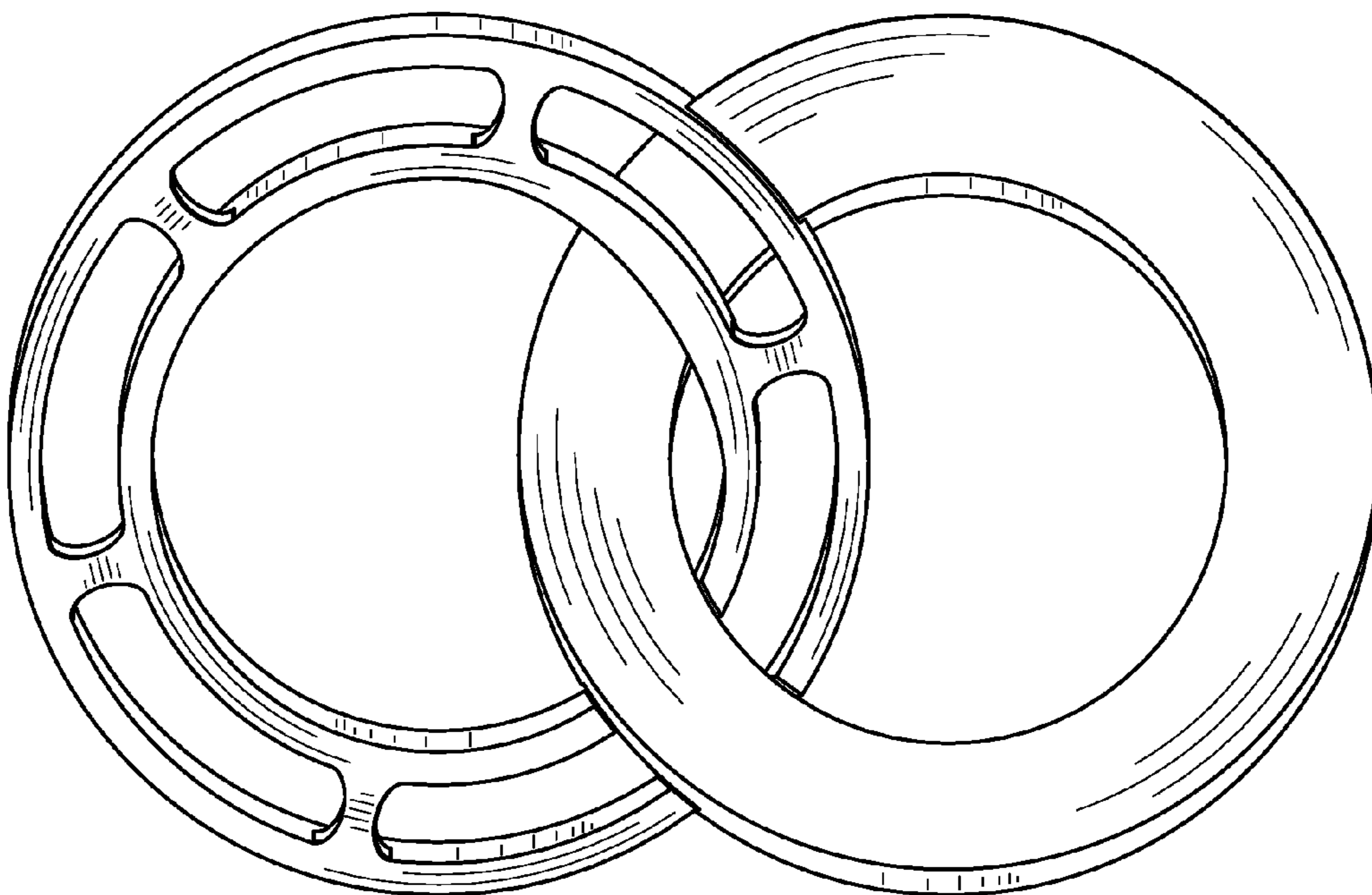


FIG. 3

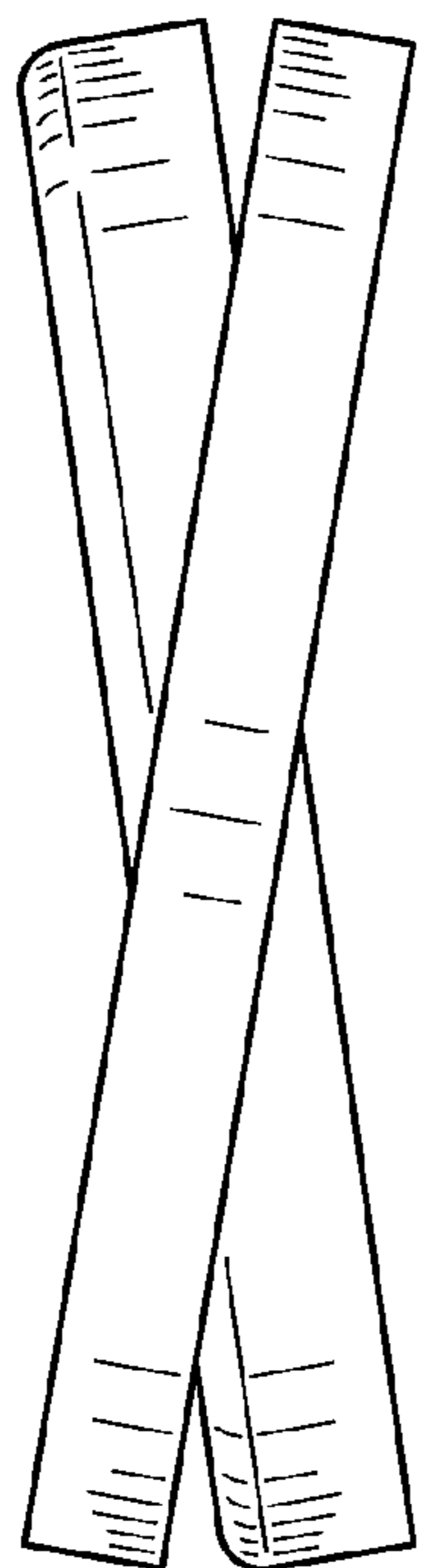


FIG. 4

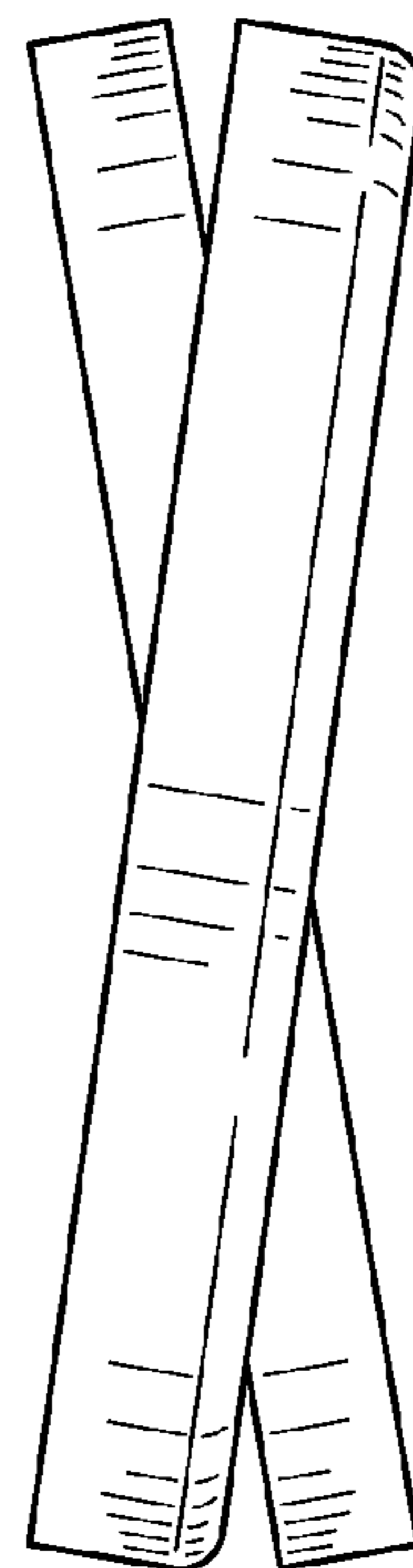


FIG. 5

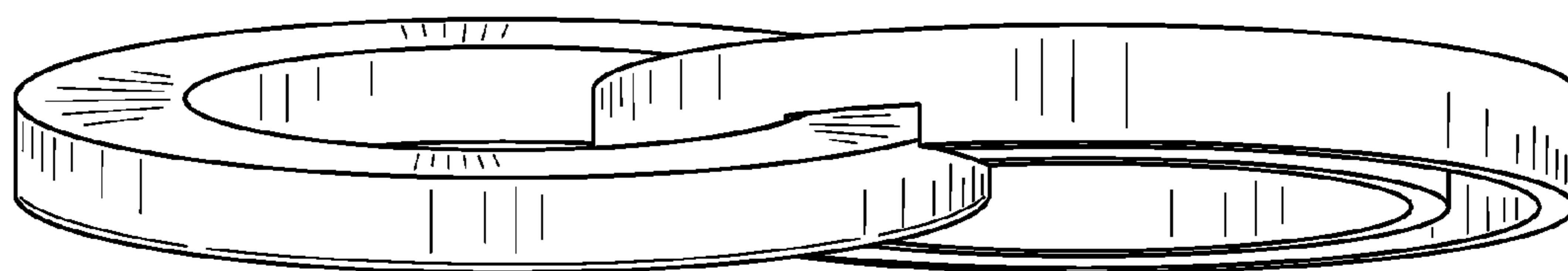


FIG. 6

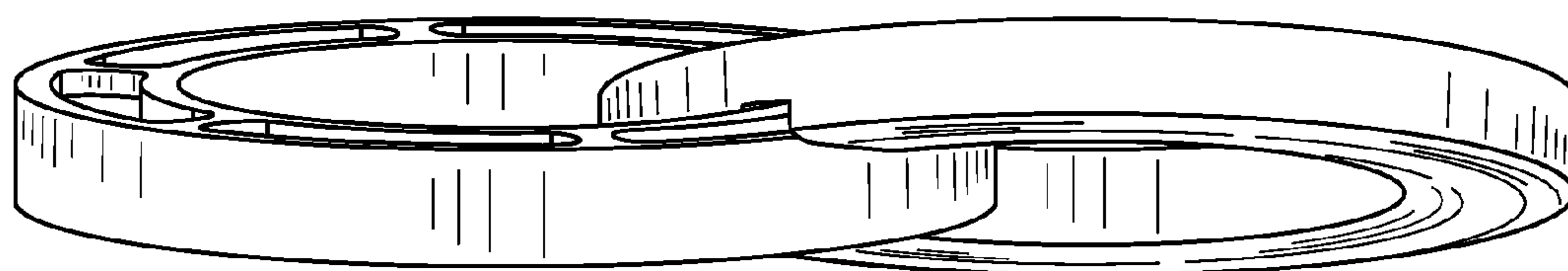


FIG. 7