



US00D595171S

(12) **United States Design Patent**
Robinson et al.

(10) **Patent No.:** **US D595,171 S**
(45) **Date of Patent:** **** Jun. 30, 2009**

(54) **SCALE**

(75) Inventors: **Robert J. Robinson**, Jamison, PA (US);
Timothy C. Repp, Pleasant Valley, CT (US)

(73) Assignee: **Royal Consumer Information Products, Inc.**, Somerset, NJ (US)

(**) Term: **14 Years**

(21) Appl. No.: **29/299,317**

(22) Filed: **Dec. 21, 2007**

(51) **LOC (9) Cl.** **10-04**

(52) **U.S. Cl.** **D10/91**

(58) **Field of Classification Search** D10/91;
177/4, 25.12-25.16, 177, 199, 210 R, 238-245,
177/262, 210 C, 30, 126, 127, DIG. 3; 324/692,
324/512, 515, 806; 606/506, 547

See application file for complete search history.

(56) **References Cited**

U.S. PATENT DOCUMENTS

D280,805 S * 10/1985 Muller et al. D10/91

* cited by examiner

Primary Examiner—Antoine D Davis

(74) *Attorney, Agent, or Firm*—Roberts & Roberts, LLP

(57) **CLAIM**

The ornamental design for a scale, as shown and described.

DESCRIPTION

FIG. 1 is a top perspective view of a scale showing our new design.

FIG. 2 is a top side view thereof.

FIG. 3 is a right side view thereof.

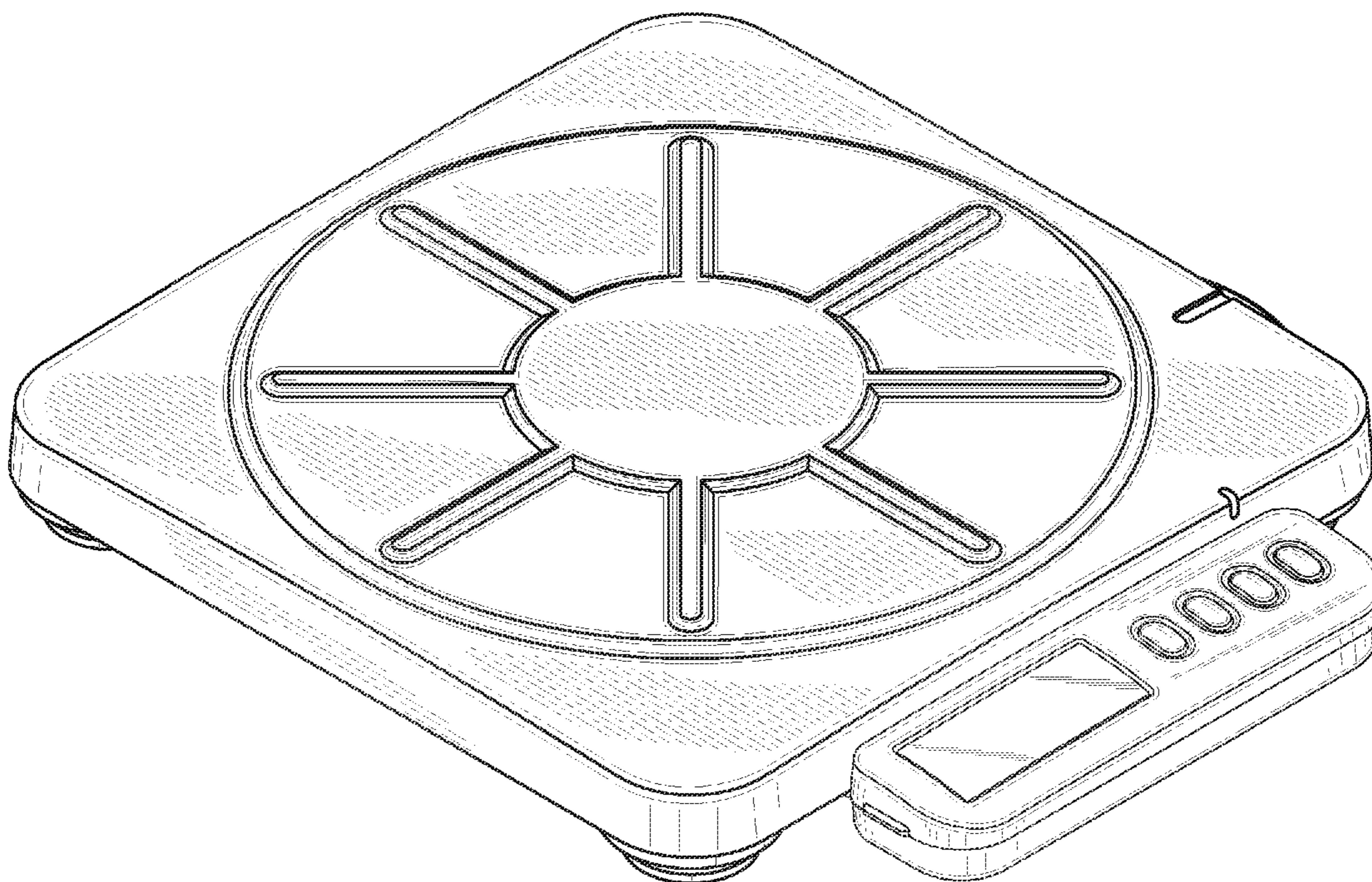
FIG. 4 is a front side view thereof.

FIG. 5 is a rear side view thereof.

FIG. 6 is a left side view thereof; and,

FIG. 7 is a bottom side view thereof.

1 Claim, 5 Drawing Sheets



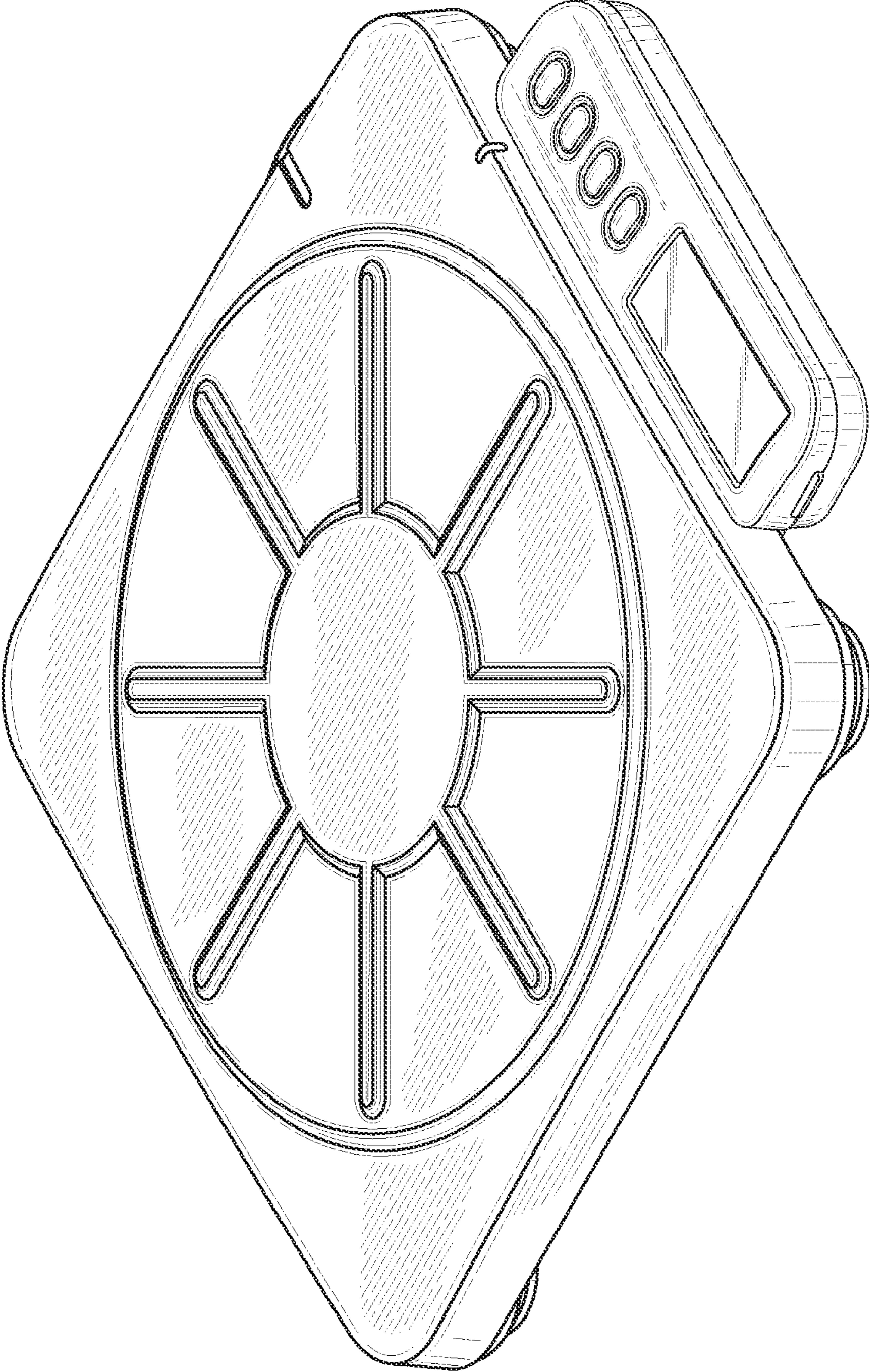


FIG. 1

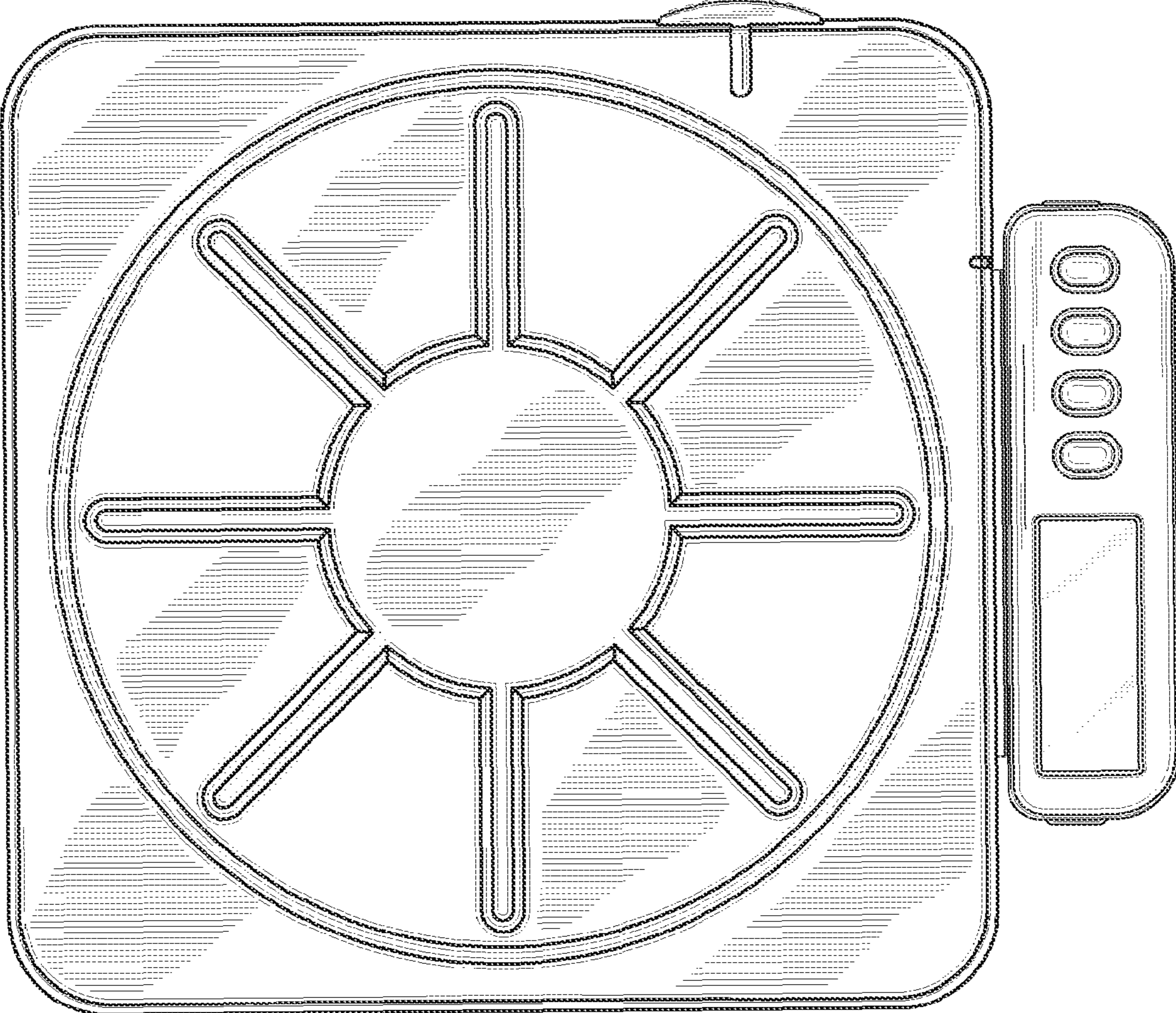


FIG. 2

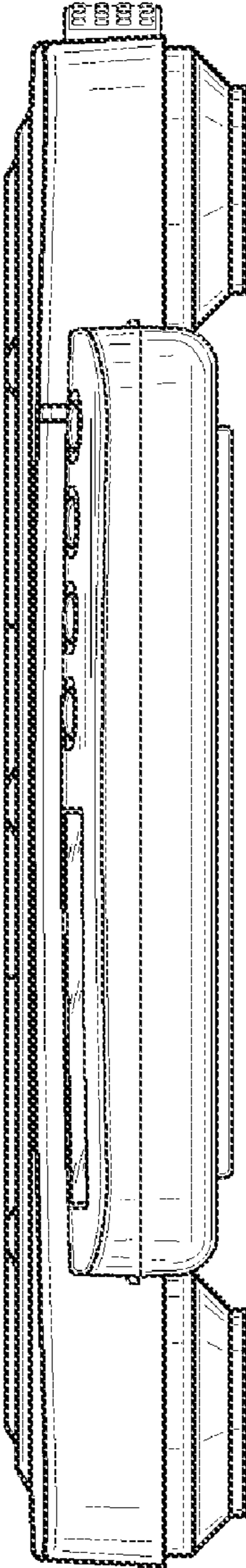


FIG. 3

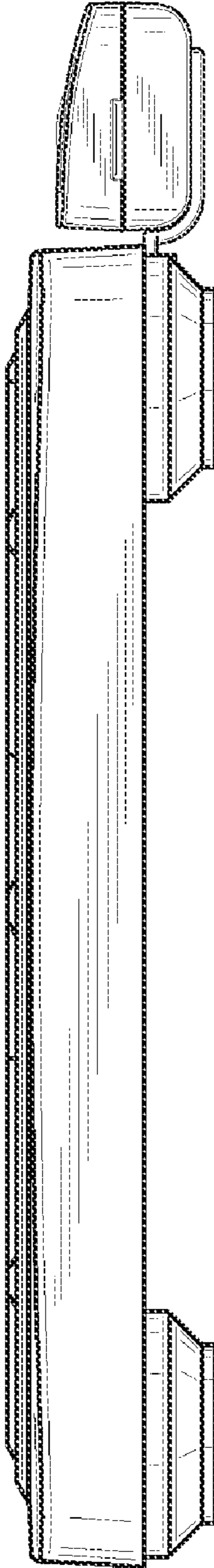


FIG. 4

FIG. 5

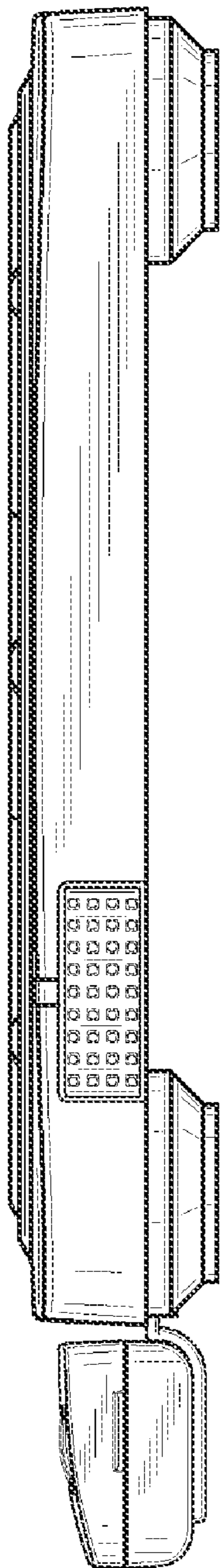
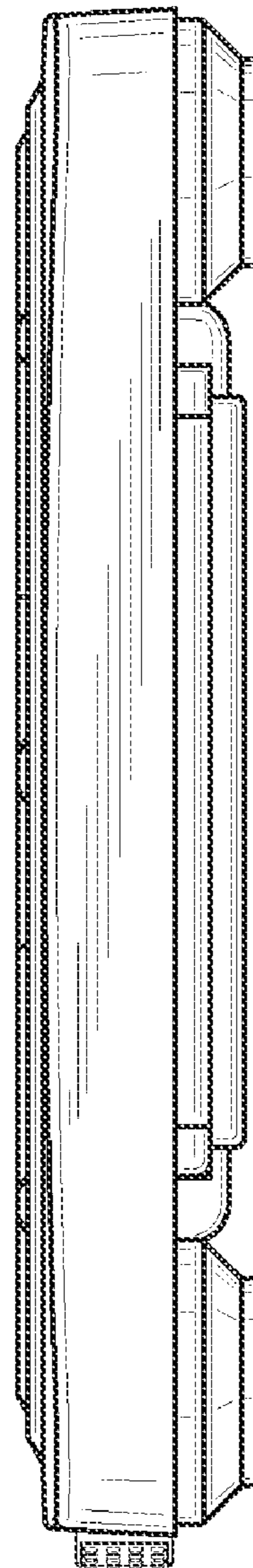


FIG. 6



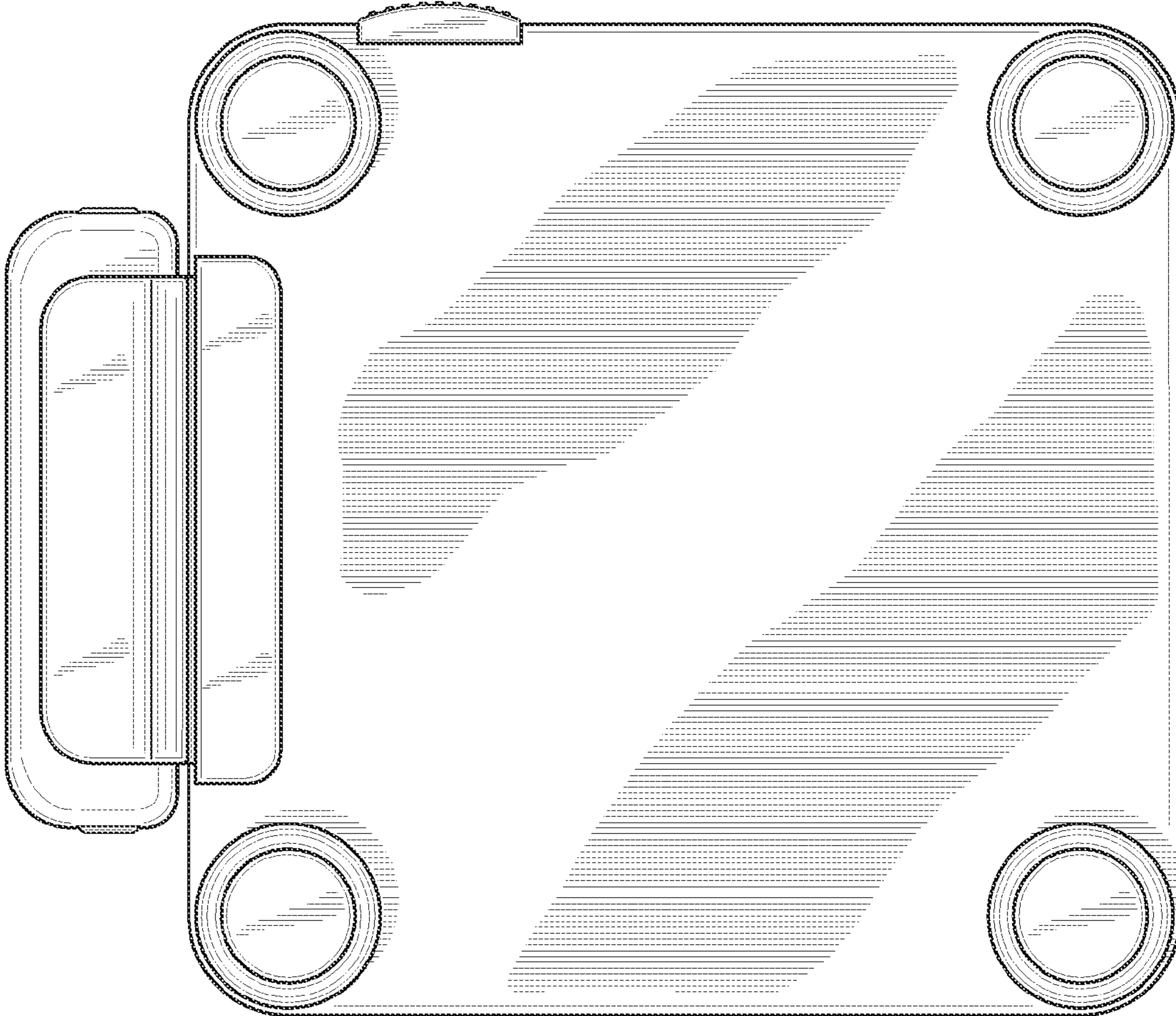


FIG. 7