



US00D595170S

(12) **United States Design Patent**  
**Masters et al.**

(10) **Patent No.:** **US D595,170 S**  
(45) **Date of Patent:** **\*\* Jun. 30, 2009**

(54) **TEST PLUG**

(75) Inventors: **Timothy Frankland Masters**, Boca Raton, FL (US); **Samuel Bovenzi**, Coral Springs, FL (US); **Roy Ball**, Coral Springs, FL (US)

(73) Assignee: **ABB Technology AG**, Zurich (CH)

(\*\*) Term: **14 Years**

(21) Appl. No.: **29/321,495**

(22) Filed: **Jul. 17, 2008**

(51) **LOC (9) Cl.** ..... **10-04**

(52) **U.S. Cl.** ..... **D10/78**

(58) **Field of Classification Search** ..... D10/78;  
174/105 R, 36, 110 V, 113 R, 128.1, 128.2;  
439/638, 909, 353

See application file for complete search history.

(56) **References Cited**

**U.S. PATENT DOCUMENTS**

6,418,332 B1 \* 7/2002 Mastrototaro et al. .... 600/316  
D571,241 S \* 6/2008 Andreassen et al. .... D10/78  
7,448,916 B2 \* 11/2008 Mastrototaro et al. ... 174/105 R

\* cited by examiner

*Primary Examiner*—Antoine D Davis

(74) *Attorney, Agent, or Firm*—Michael C. Prewitt

(57) **CLAIM**

The ornamental design for a test plug, as shown and described.

**DESCRIPTION**

FIG. 1 is a top plan view of the test plug of the present invention;

FIG. 2 is a bottom plan view of the test plug of FIG. 1;

FIG. 3 is a left side plan view of the test plug of FIG. 1;

FIG. 4 is a right side plan view of the test plug of FIG. 1;

FIG. 5 is a rear plan view of the test plug of FIG. 1;

FIG. 6 is a front plan view of the test plug of FIG. 1;

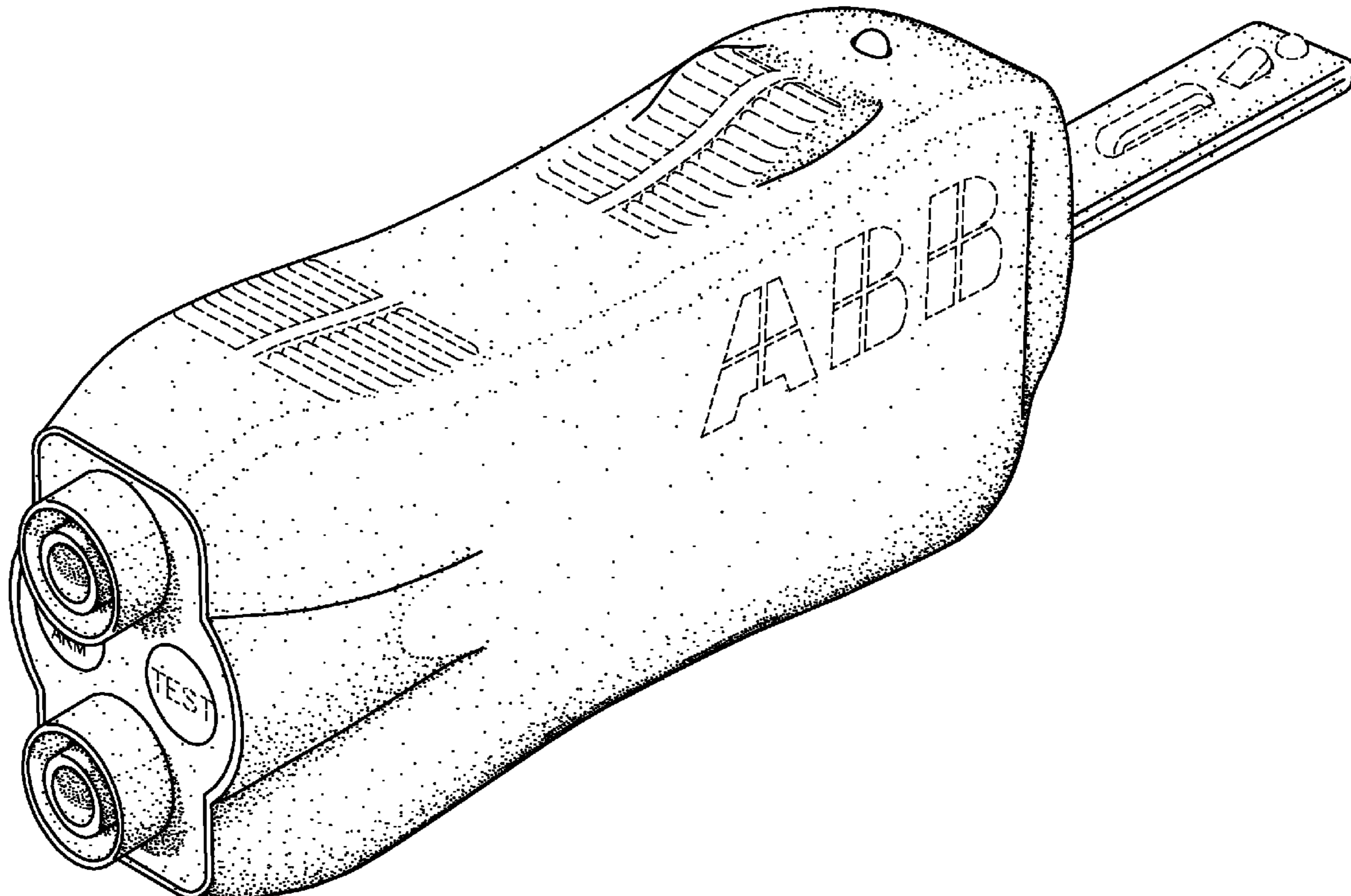
FIG. 7 is a front and left side perspective view of the test plug of FIG. 1;

FIG. 8 is a rear and right side perspective view of the test plug of FIG. 1; and,

FIG. 9 is a rear and left side perspective view of the test plug of FIG. 1.

We disclaim the features shown in dashed lines.

**1 Claim, 6 Drawing Sheets**



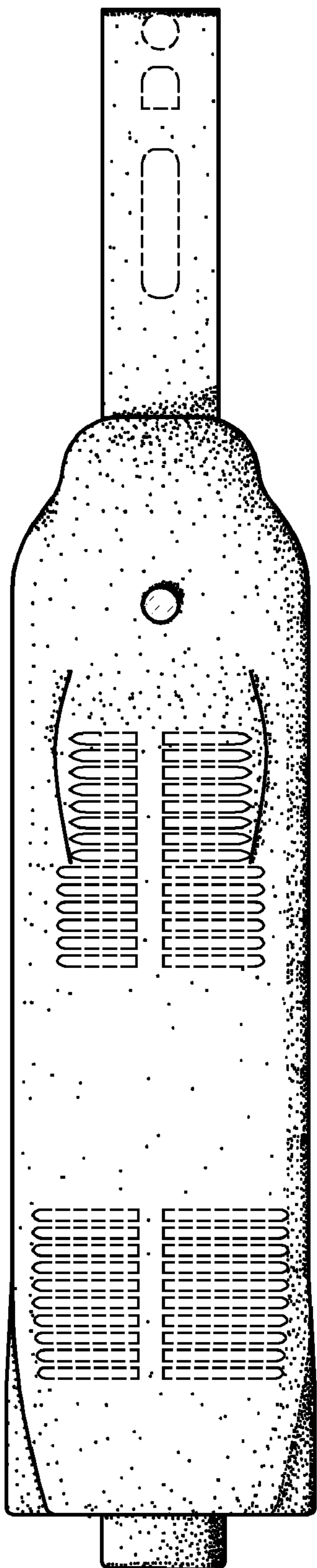


FIG.-1

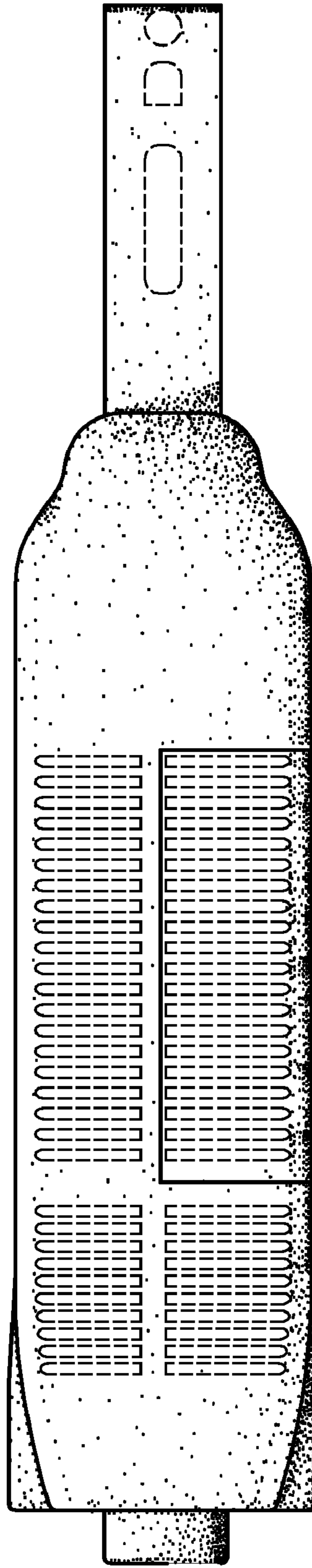


FIG.-2

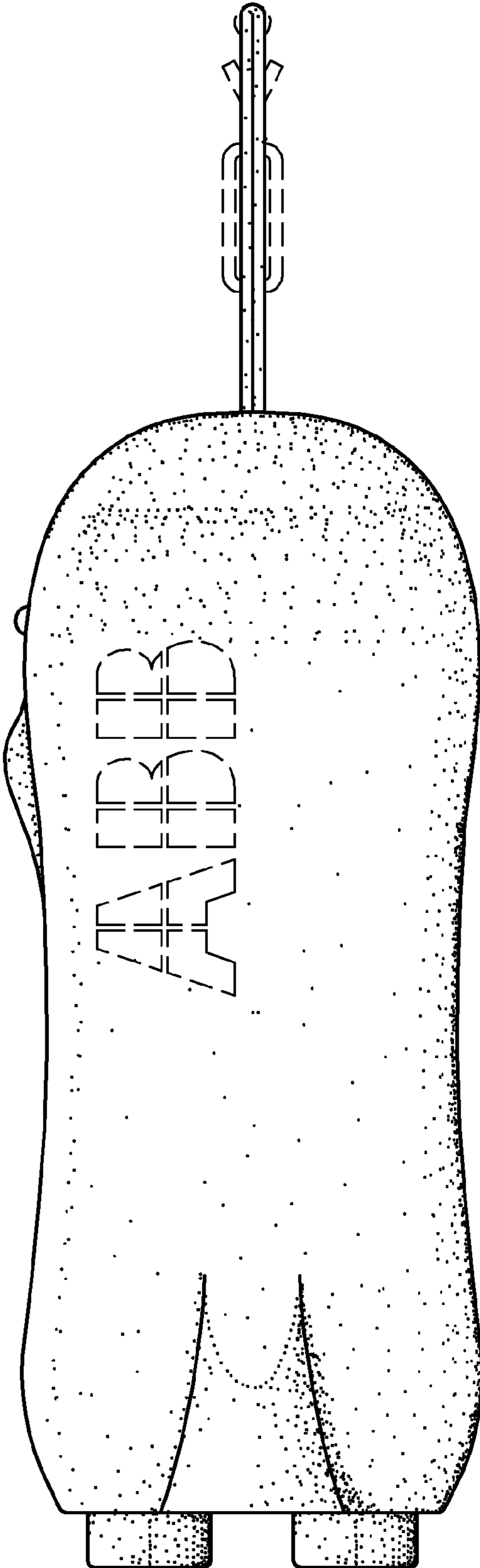


FIG. -3

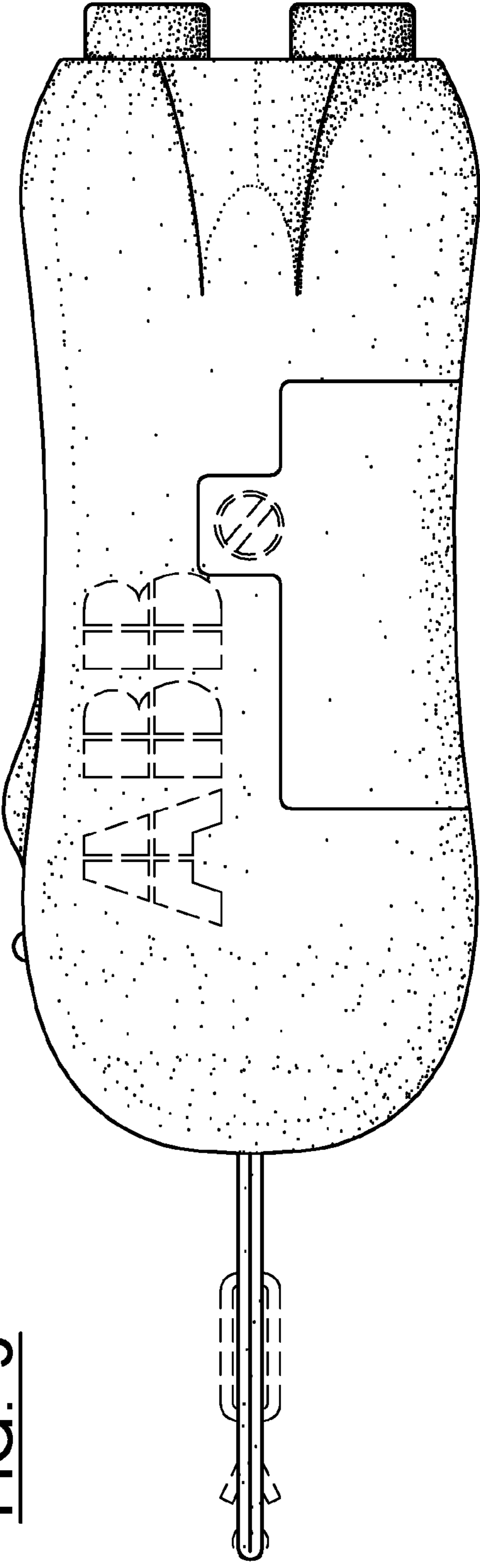


FIG. -4

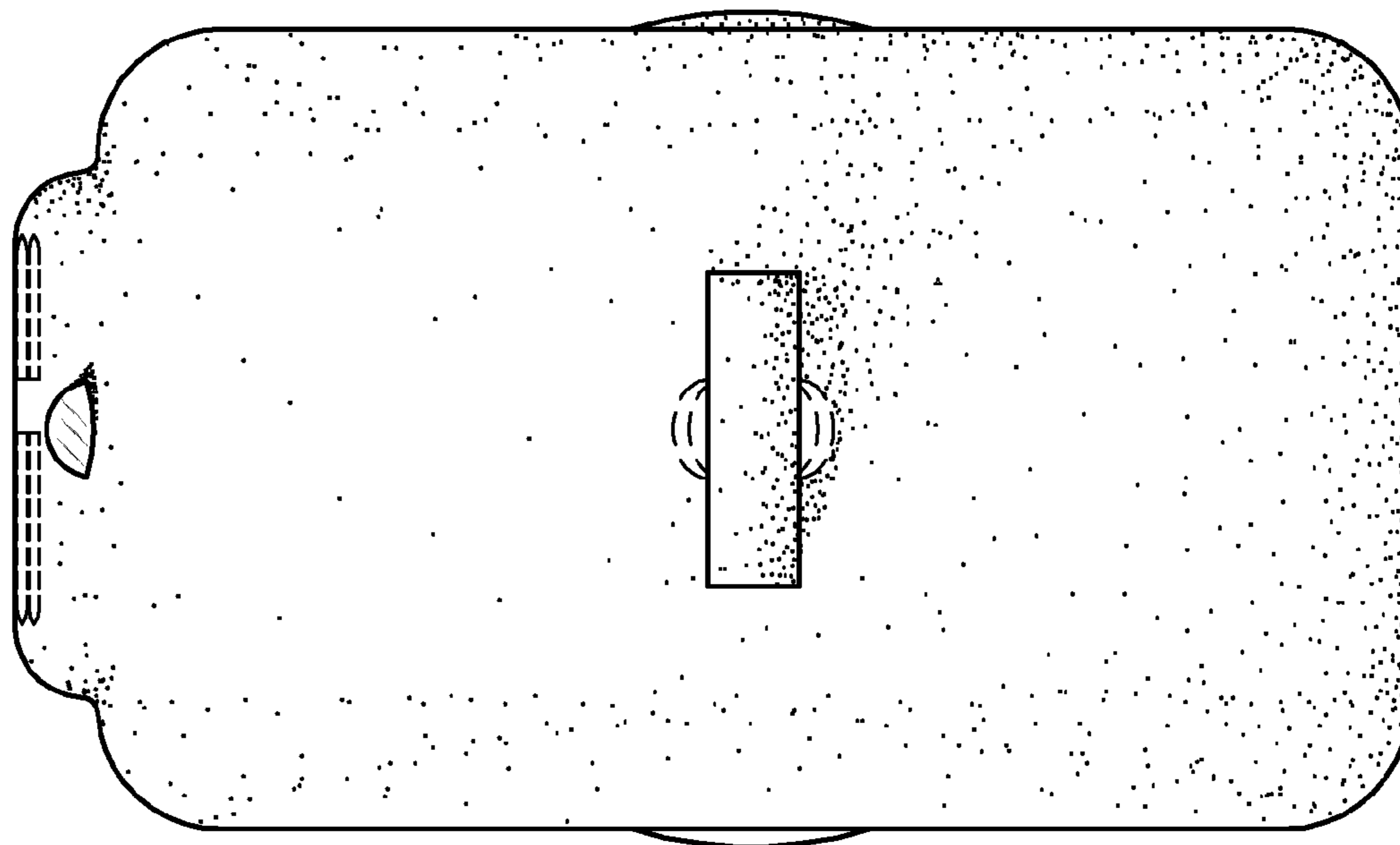


FIG. -6

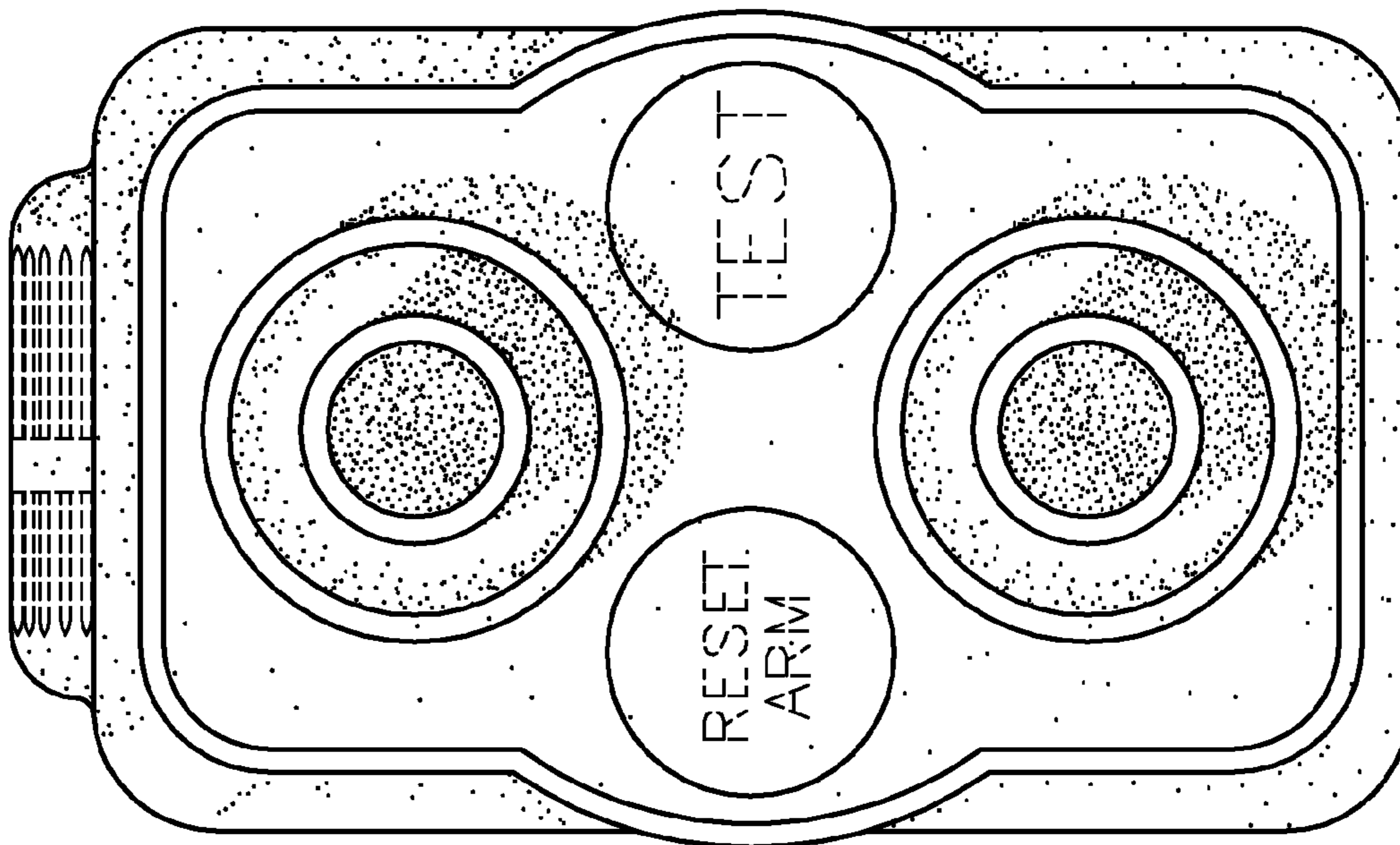


FIG. -5



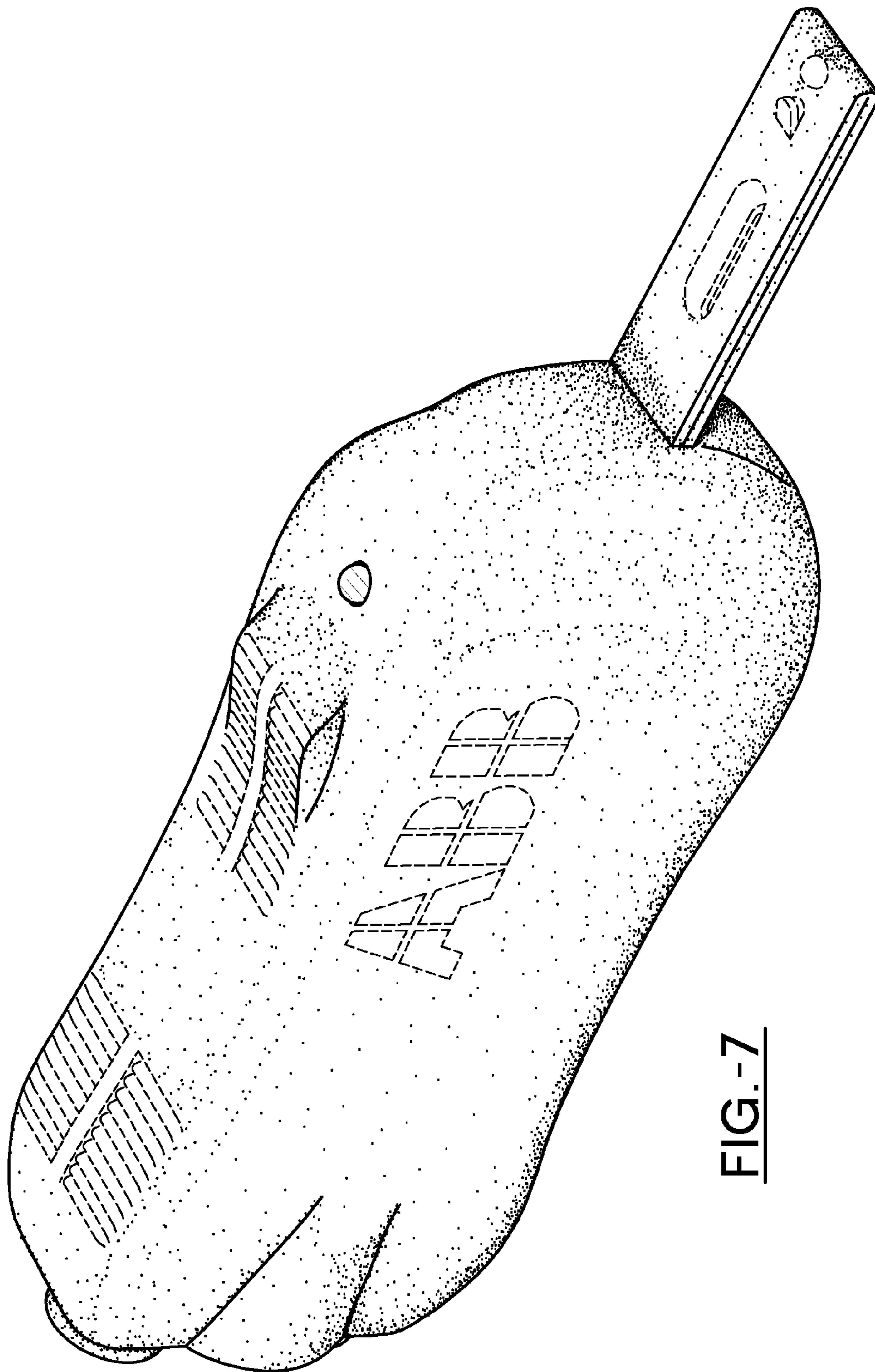


FIG.-7

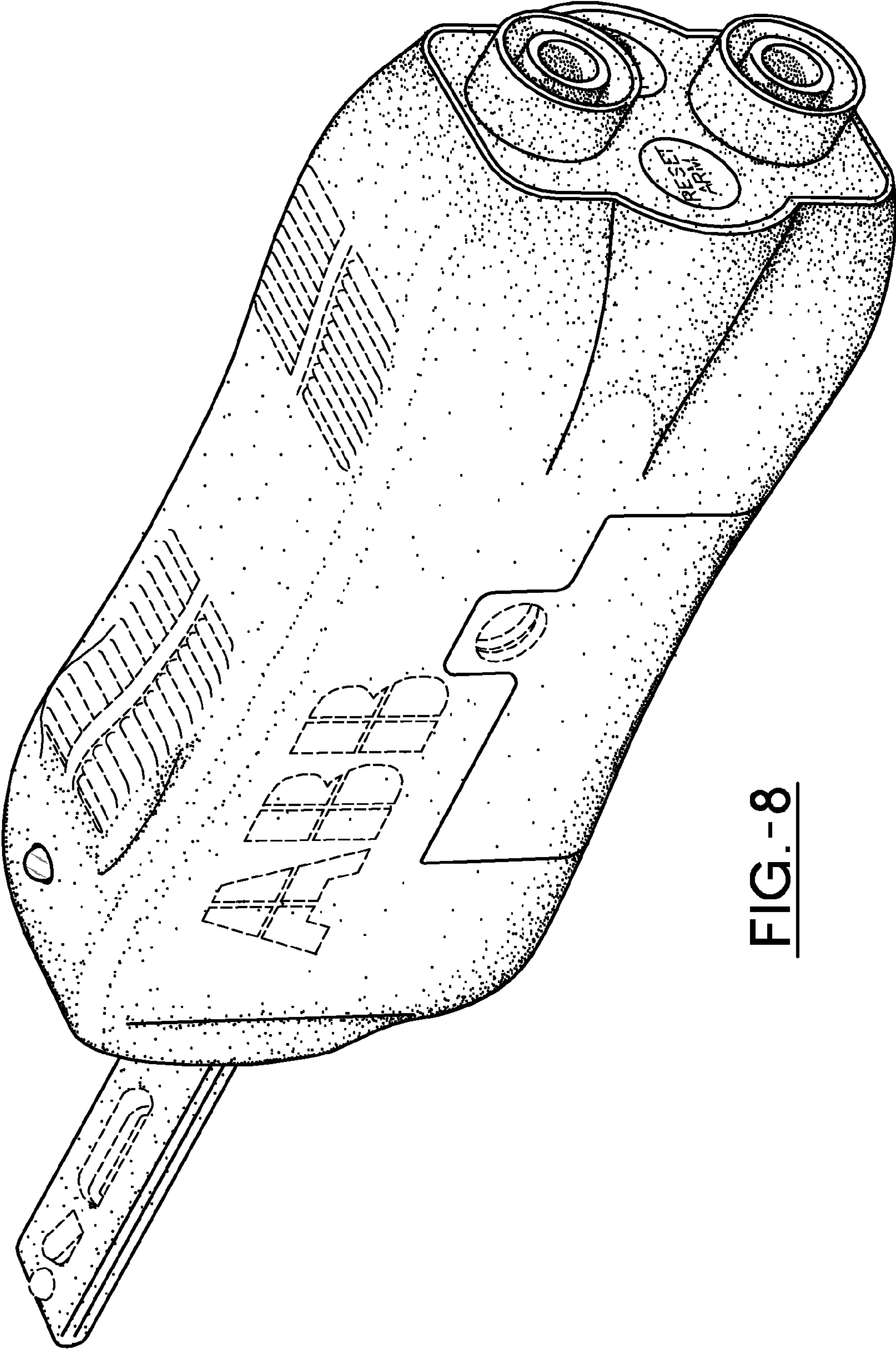


FIG.-8

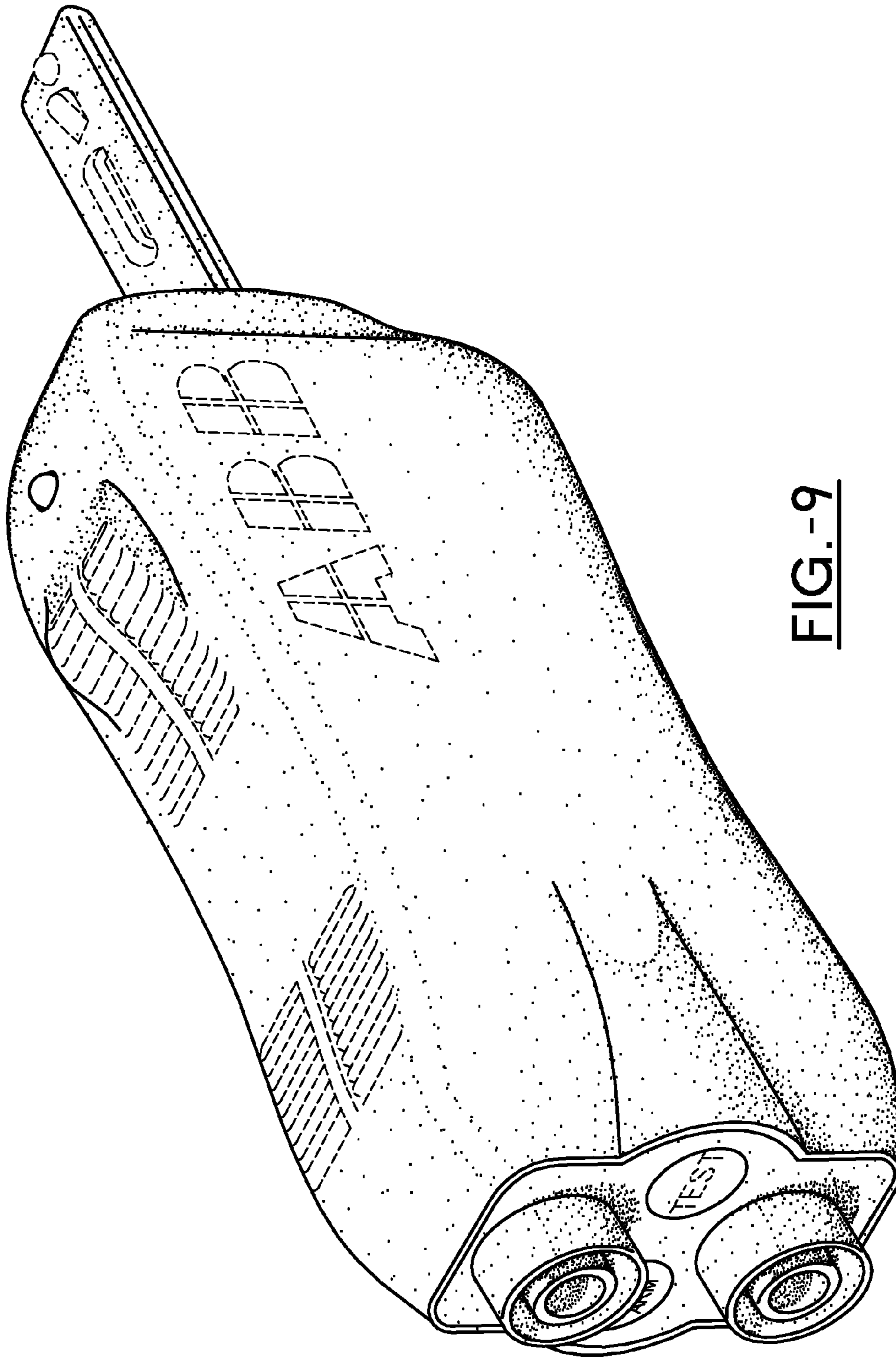


FIG. -9