



US00D595168S

(12) **United States Design Patent**  
**Au Yeung**

(10) **Patent No.:** **US D595,168 S**  
(45) **Date of Patent:** **\*\* Jun. 30, 2009**

(54) **PEDOMETER**

(75) **Inventor:** **Kwok Keung Au Yeung**, New Territories (HK)

(73) **Assignee:** **Ariel Premium Supply, Inc.**, St. Louis, MO (US)

(\*\*) **Term:** **14 Years**

(21) **Appl. No.:** **29/324,796**

(22) **Filed:** **Sep. 19, 2008**

(51) **LOC (9) Cl.** ..... **10-04**

(52) **U.S. Cl.** ..... **D10/70**

(58) **Field of Classification Search** ..... D10/70;  
235/95 C, 105; 377/5, 24.2, 26; 702/155,  
702/160, 176, 78, 79, 82, 91-95, 104, 116,  
702/141, 150, 151, 154; 73/514.33, 514.34;  
324/522

See application file for complete search history.

(56) **References Cited**

**U.S. PATENT DOCUMENTS**

D312,046 S	11/1990	Ruehle	mann	
D312,049 S	11/1990	Ruehle	mann	
D502,654 S	3/2005	Nishiura		
D504,627 S *	5/2005	Harju		D10/70
D525,889 S *	8/2006	Oas		D10/70
D528,024 S	9/2006	Bhavnani		
D528,445 S *	9/2006	Au Yeung		D10/70
D531,072 S	10/2006	Au Yeung		
D543,877 S	6/2007	Bhavnani		
D545,700 S	7/2007	Man		

D555,018 S	11/2007	Au Yeung		
D555,019 S	11/2007	Au Yeung		
D560,653 S	1/2008	Au Yeung		
D573,490 S *	7/2008	Au Yeung	.....	D10/70
D578,418 S *	10/2008	Au Yeung	.....	D10/70

**OTHER PUBLICATIONS**

U.S. Appl. No. 29/304,742, filed Mar. 6, 2008, Au Yeung.  
U.S. Appl. No. 29/304,743, filed Mar. 6, 2008, Au Yeung.  
U.S. Appl. No. 29/305,468, filed Mar. 6, 2008, Au Yeung.  
U.S. Appl. No. 29/320,094, filed Jun. 19, 2008, Au Yeung.

\* cited by examiner

*Primary Examiner*—Antoine D Davis

(74) *Attorney, Agent, or Firm*—Intellectual Property Law Group LLP; Otto O. Lee; Juneko Jackson

(57) **CLAIM**

The ornamental design for a pedometer, as shown and described.

**DESCRIPTION**

FIG. 1 is a perspective view of a pedometer embodying my new design;

FIG. 2 is a front elevational view thereof;

FIG. 3 is a rear elevational view thereof;

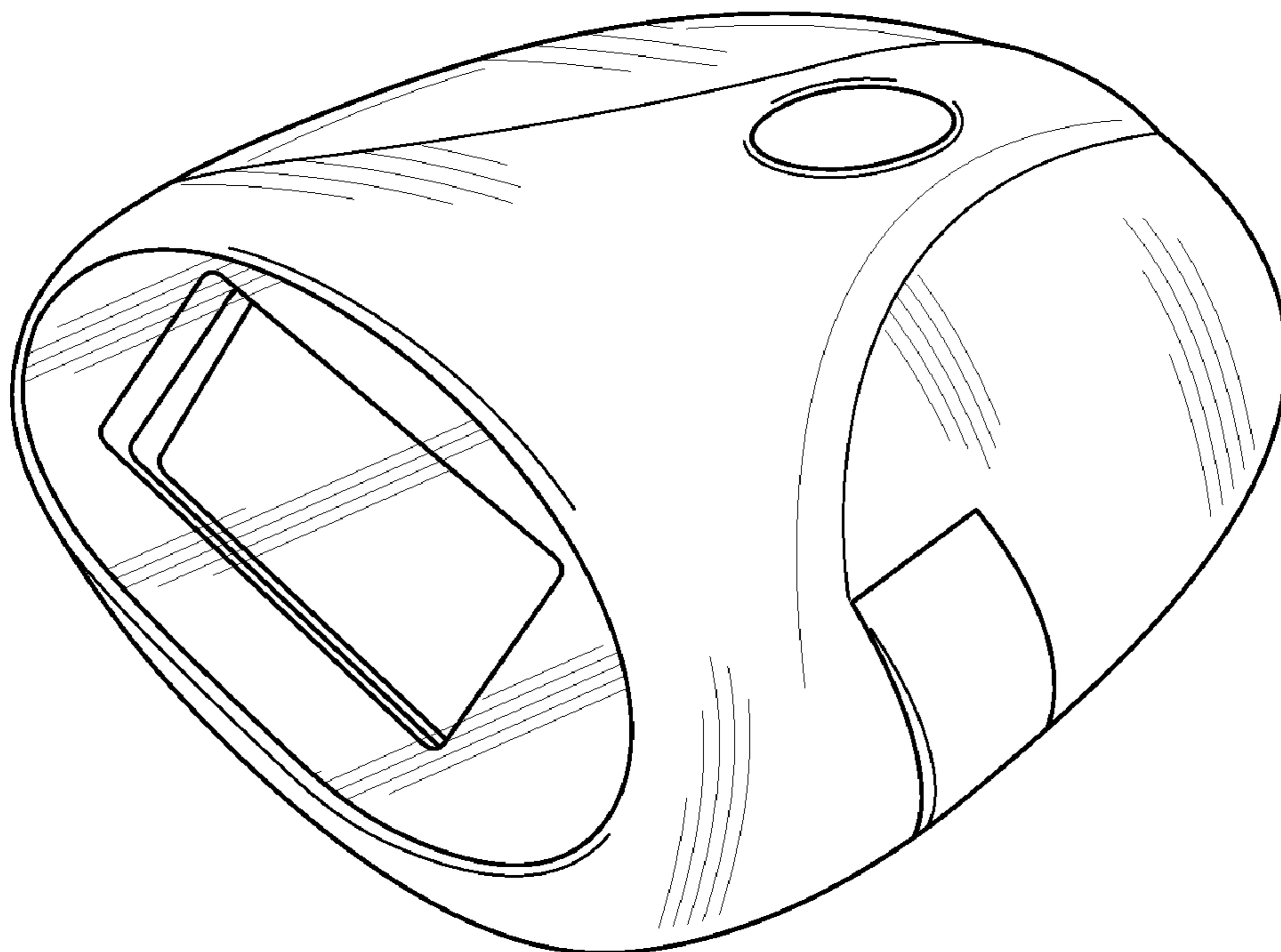
FIG. 4 is a left side elevational view thereof;

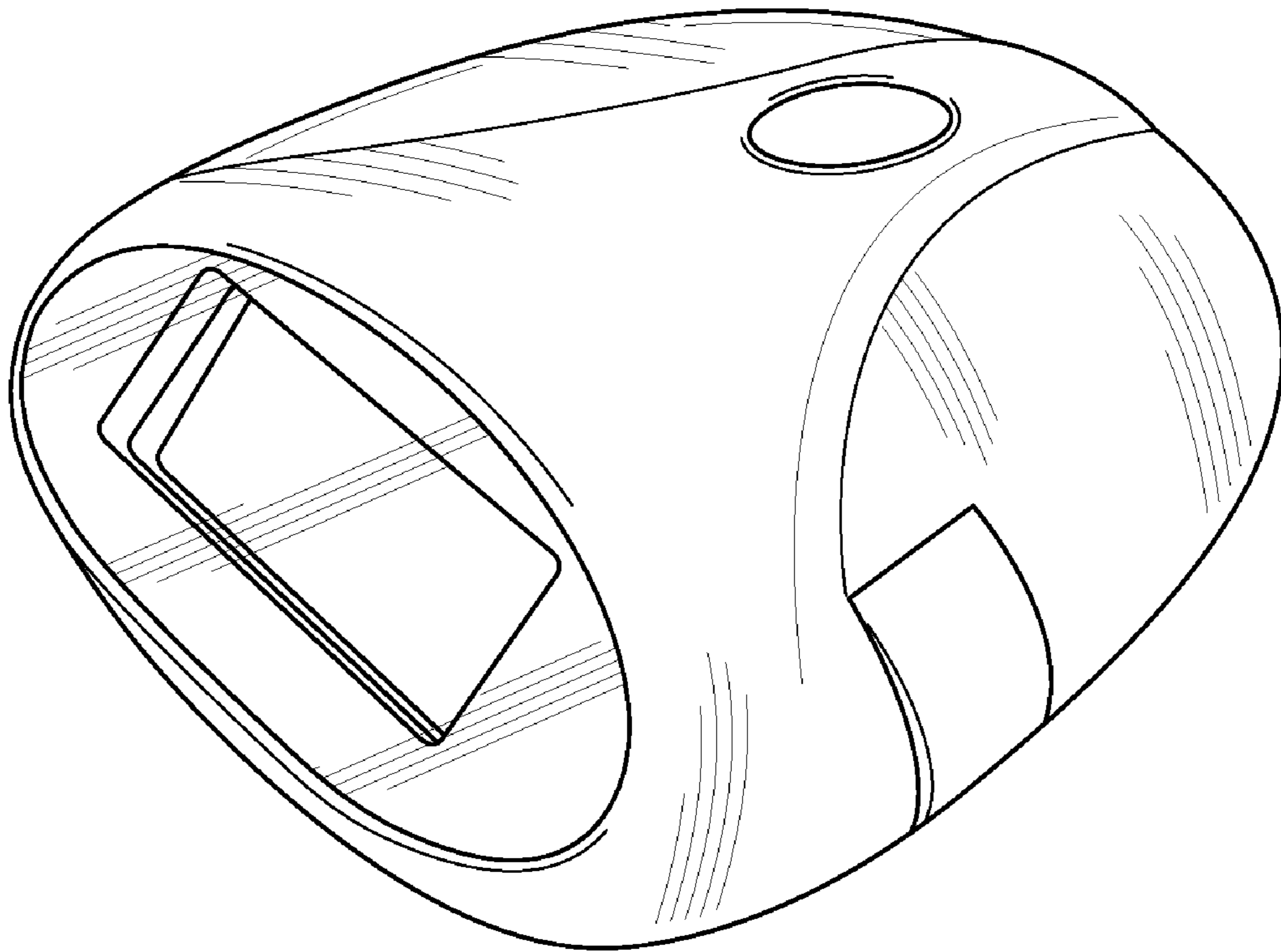
FIG. 5 is a right side elevational thereof;

FIG. 6 is a top plan view thereof; and,

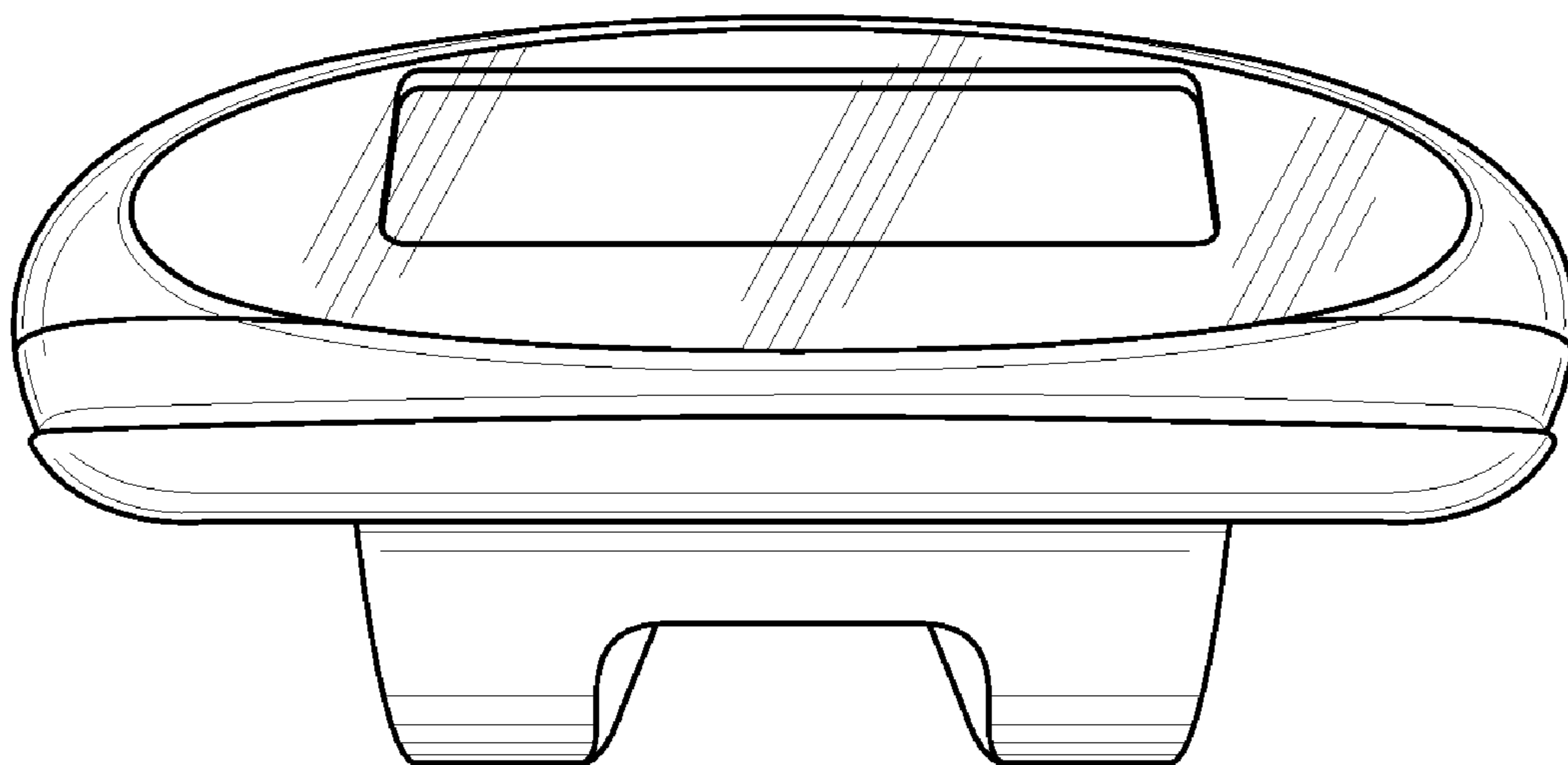
FIG. 7 is a bottom plan view thereof.

**1 Claim, 4 Drawing Sheets**

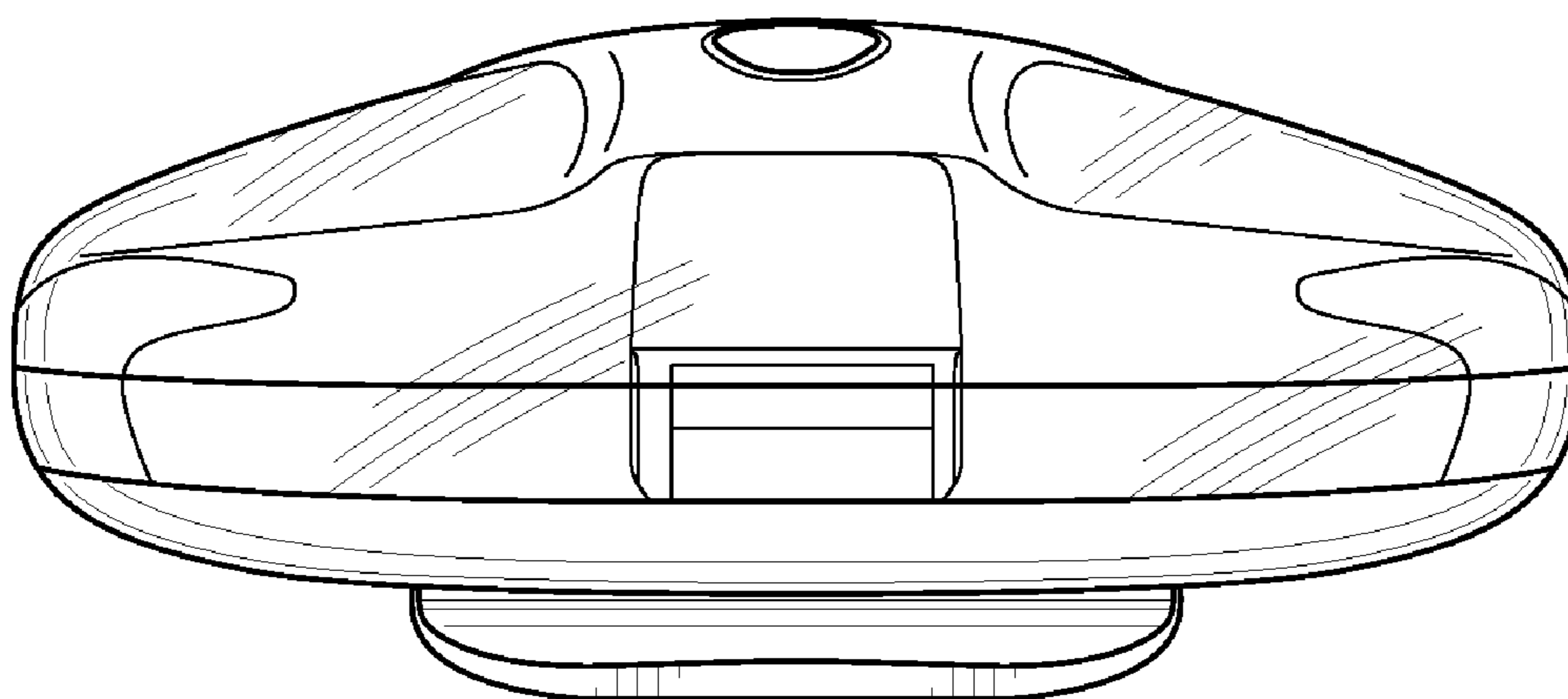




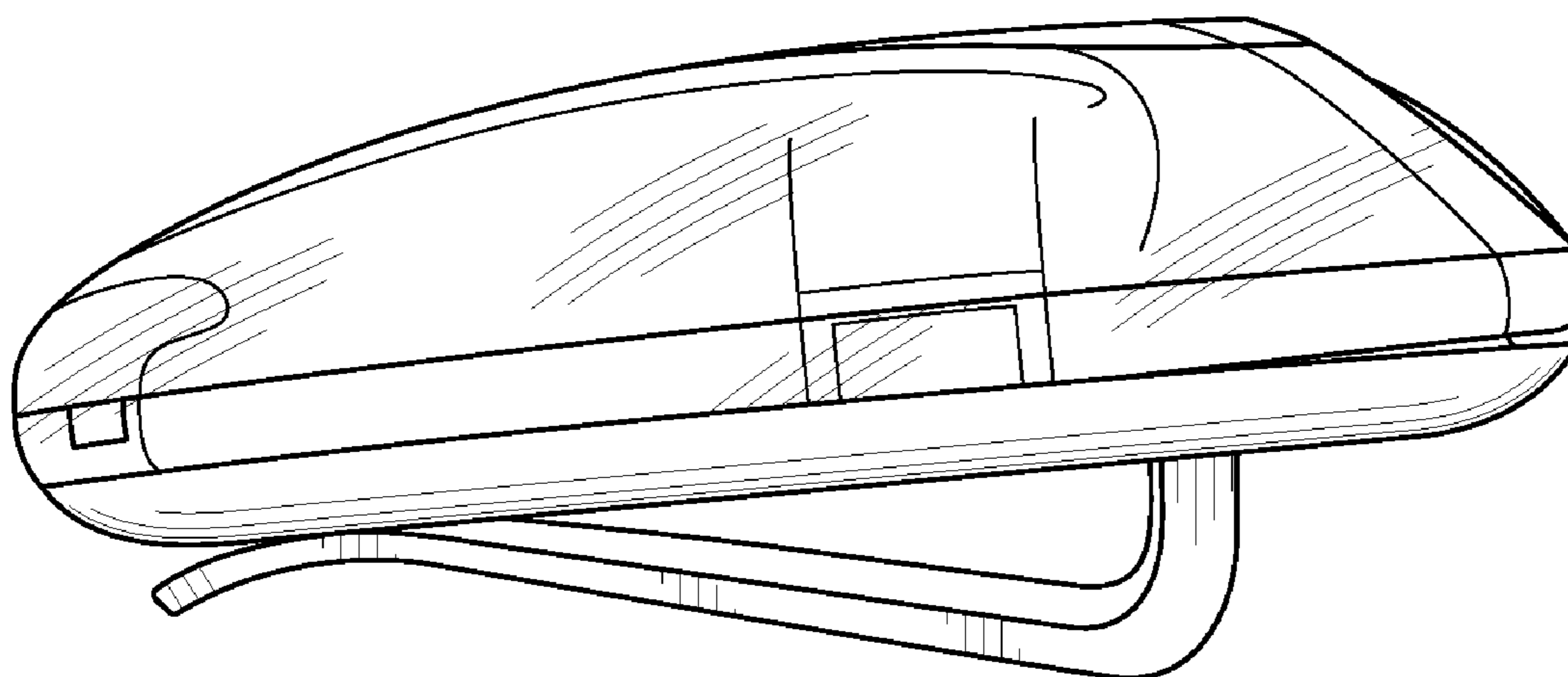
**FIG. 1**



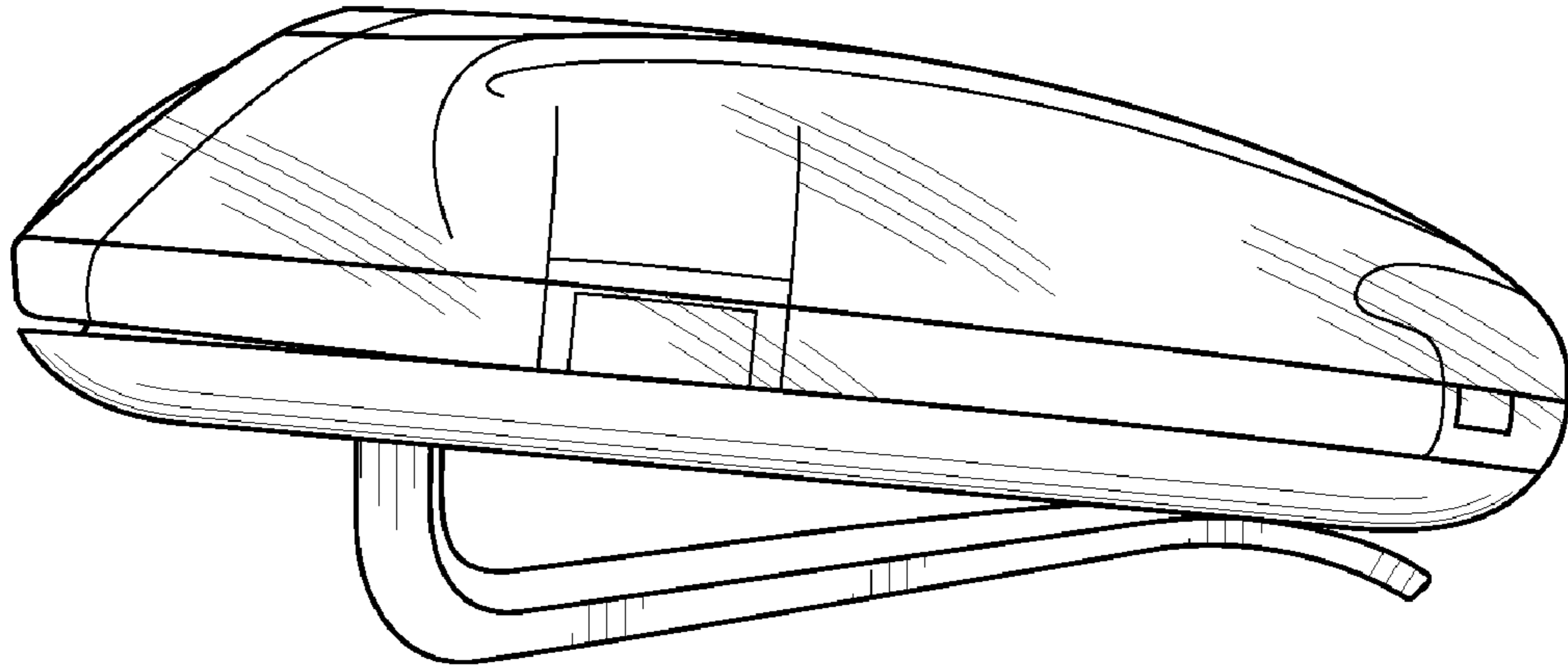
**FIG. 2**



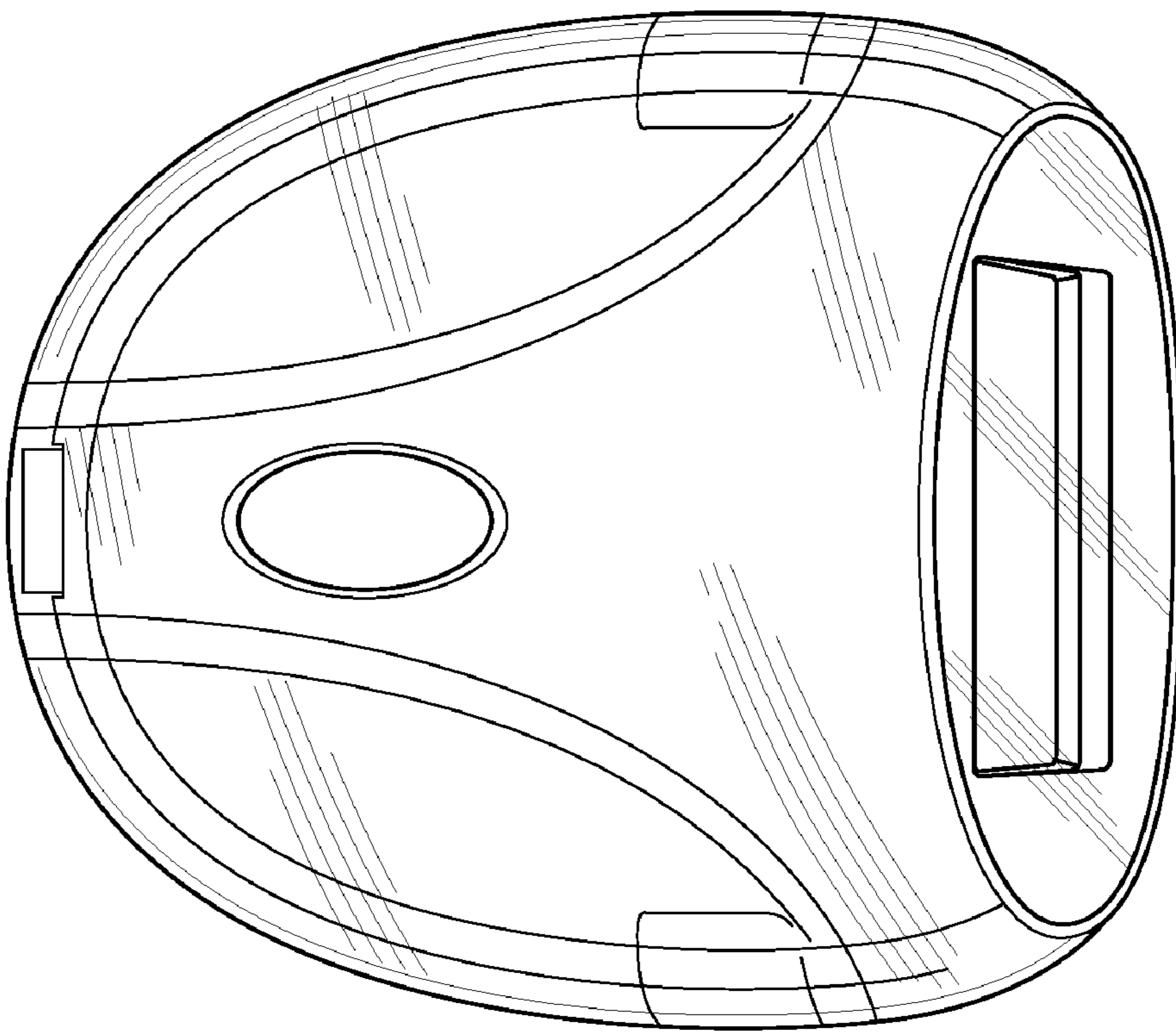
**FIG. 3**



**FIG. 4**

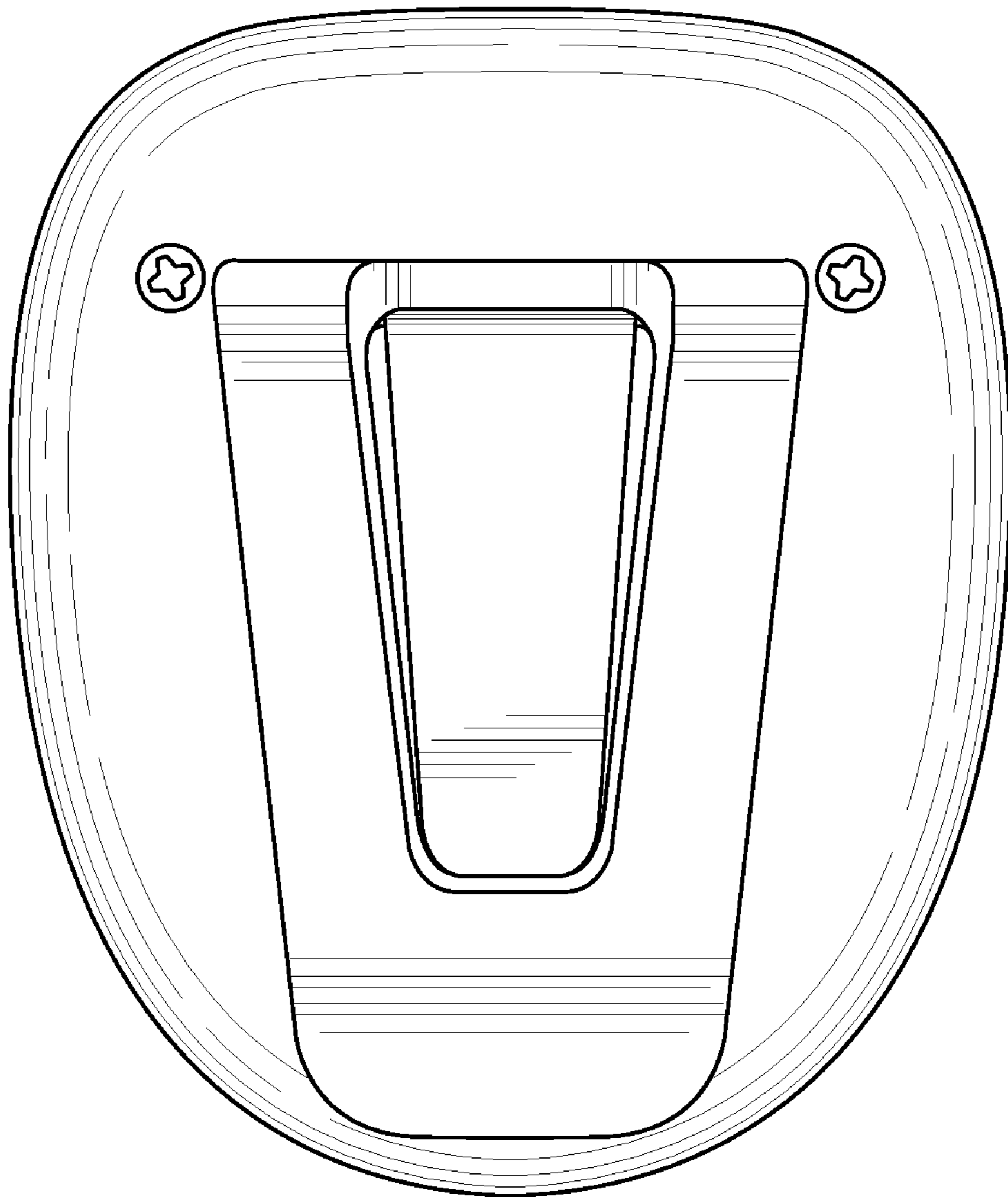


**FIG. 5**



**FIG. 6**





**FIG. 7**