



US00D595167S

(12) **United States Design Patent**
Au Yeung

(10) **Patent No.:** **US D595,167 S**
(45) **Date of Patent:** **** Jun. 30, 2009**

(54) **PEDOMETER**

(75) **Inventor:** **Kwok Keung Au Yeung**, New Territories (HK)

(73) **Assignee:** **Ariel Premium Supply, Inc.**, St. Louis, MO (US)

(**) **Term:** **14 Years**

(21) **Appl. No.:** **29/320,094**

(22) **Filed:** **Jun. 19, 2008**

(51) **LOC (9) Cl.** **10-04**

(52) **U.S. Cl.** **D10/70**

(58) **Field of Classification Search** D10/70;
235/95 C, 105; 377/5, 24.2, 26; 702/155,
702/160, 176, 78, 79, 82, 91-95, 104, 116,
702/141, 150, 151, 154; 73/514.33, 514.34;
324/522

See application file for complete search history.

(56) **References Cited**

U.S. PATENT DOCUMENTS

D312,046 S	11/1990	Ruehle
D312,049 S	11/1990	Ruehle
D502,654 S	3/2005	Nishiura
D525,889 S	8/2006	Oas
D528,024 S	9/2006	Bhavnani
D528,445 S	9/2006	Au Yeung
D531,072 S	10/2006	Au Yeung
D543,877 S	6/2007	Bhavnani
D545,700 S	7/2007	Man

D555,018 S	11/2007	Au Yeung
D555,019 S	11/2007	Au Yeung
D560,653 S	1/2008	Au Yeung
D582,303 S *	12/2008	Keller D10/70

OTHER PUBLICATIONS

U.S. Appl. No. 29/284,723, filed Sep. 13, 2007, Au Yeung.
U.S. Appl. No. 29/304,742, filed Mar. 6, 2008, Au Yeung.
U.S. Appl. No. 29/304,743, filed Mar. 6, 2008, Au Yeung.
U.S. Appl. No. 29/305,468, filed Mar. 6, 2008, Au Yeung.

* cited by examiner

Primary Examiner—Antoine D Davis

(74) *Attorney, Agent, or Firm*—Intellectual Property Law Group LLP; Otto O. Lee; Juneko Jackson

(57) **CLAIM**

The ornamental design for a pedometer, as shown and described.

DESCRIPTION

FIG. 1 is a top plan view of a pedometer embodying my new design;

FIG. 2 is a left side elevational view thereof;

FIG. 3 is a front elevational view thereof;

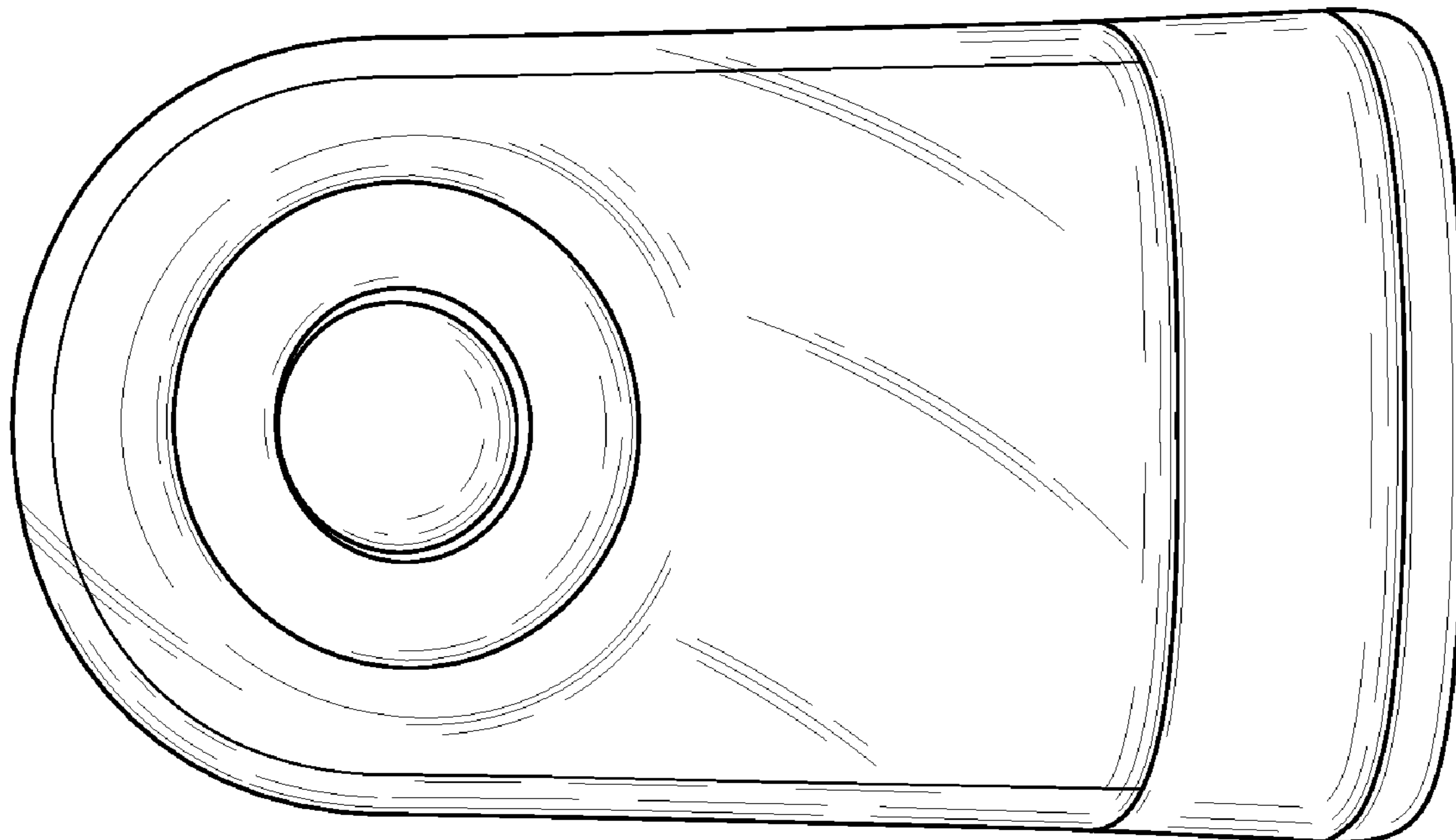
FIG. 4 is a right side elevational view thereof;

FIG. 5 is a rear elevational view thereof;

FIG. 6 is a perspective view thereof; and,

FIG. 7 is a bottom plan view thereof.

1 Claim, 4 Drawing Sheets



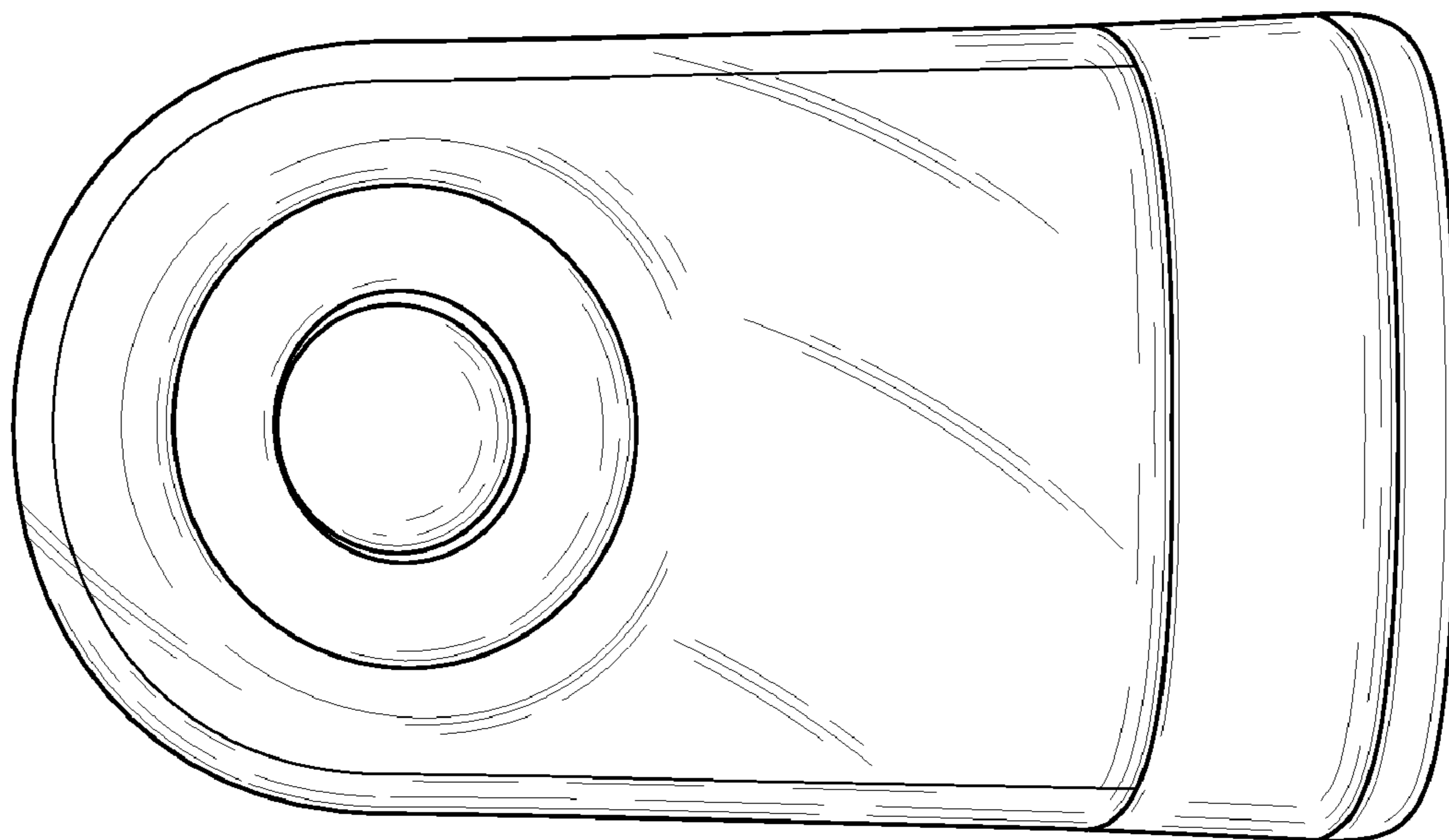


FIG. 1

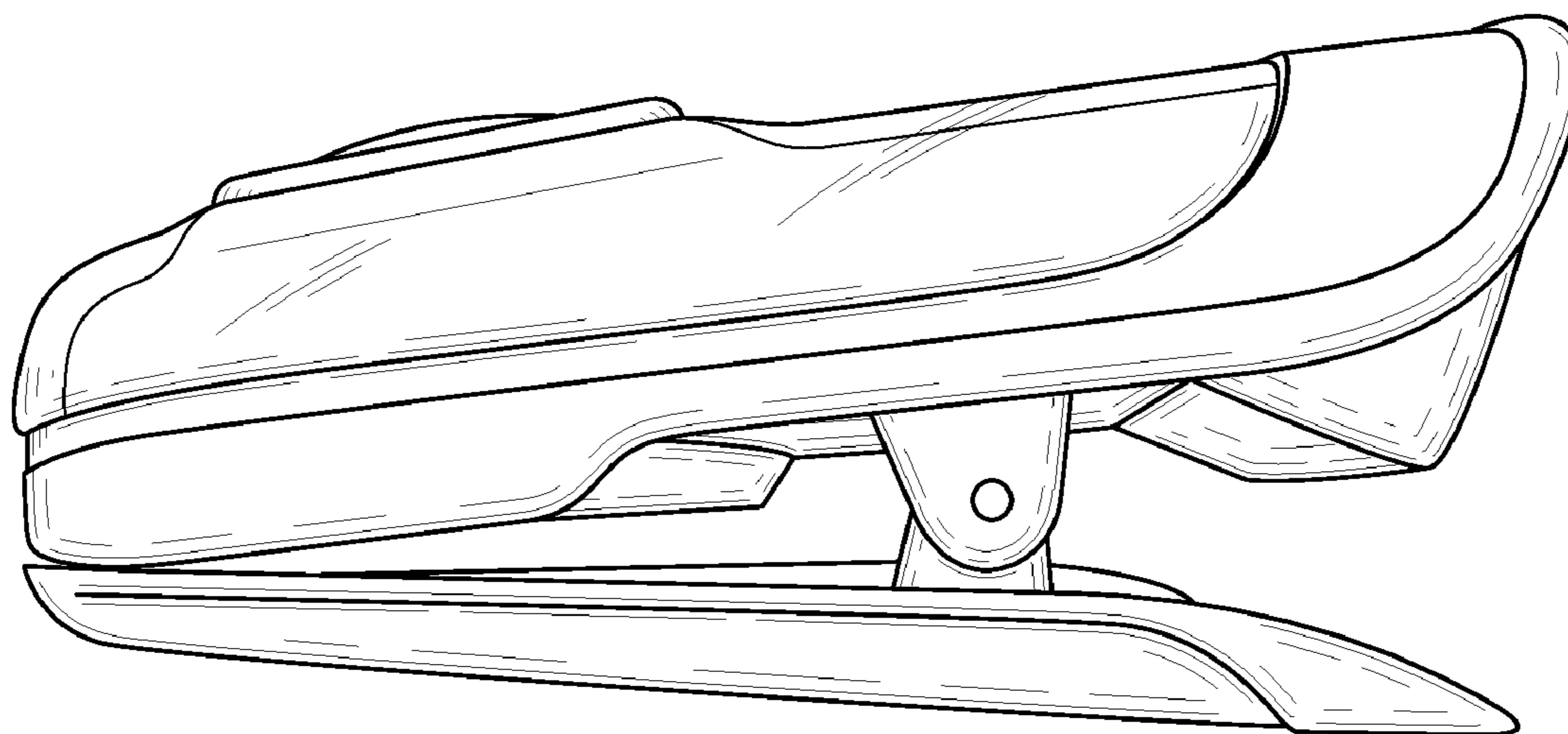


FIG. 2

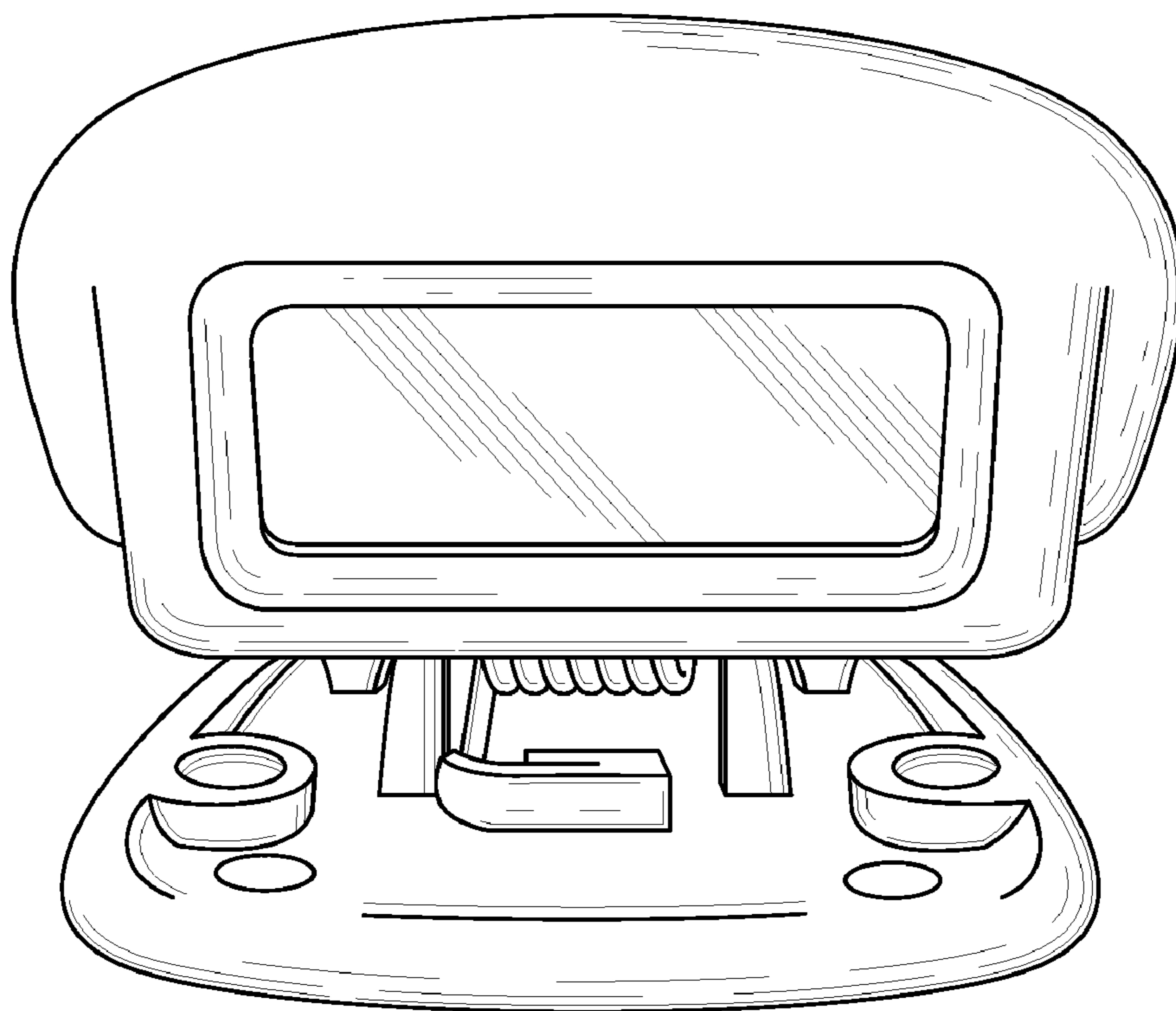


FIG. 3

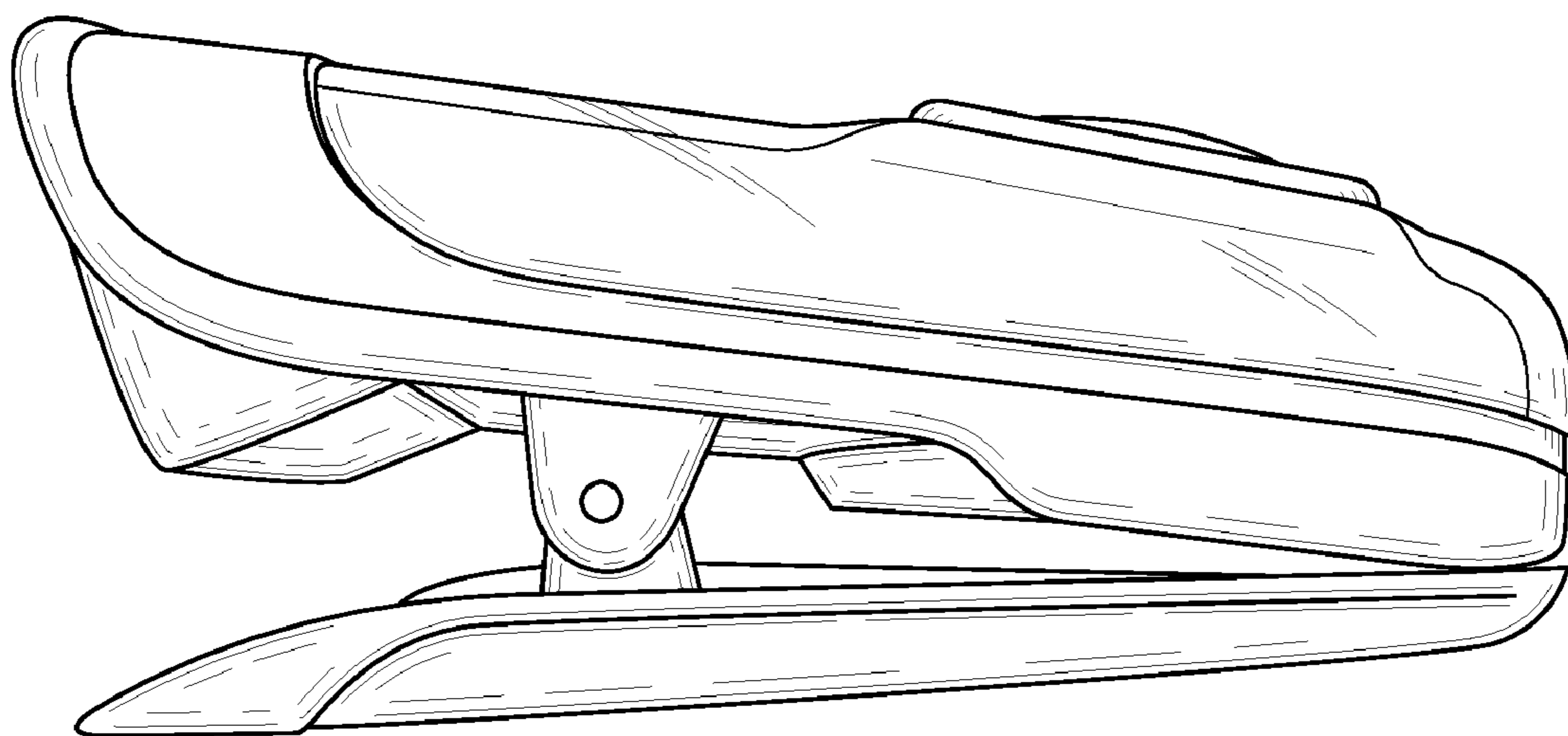


FIG. 4

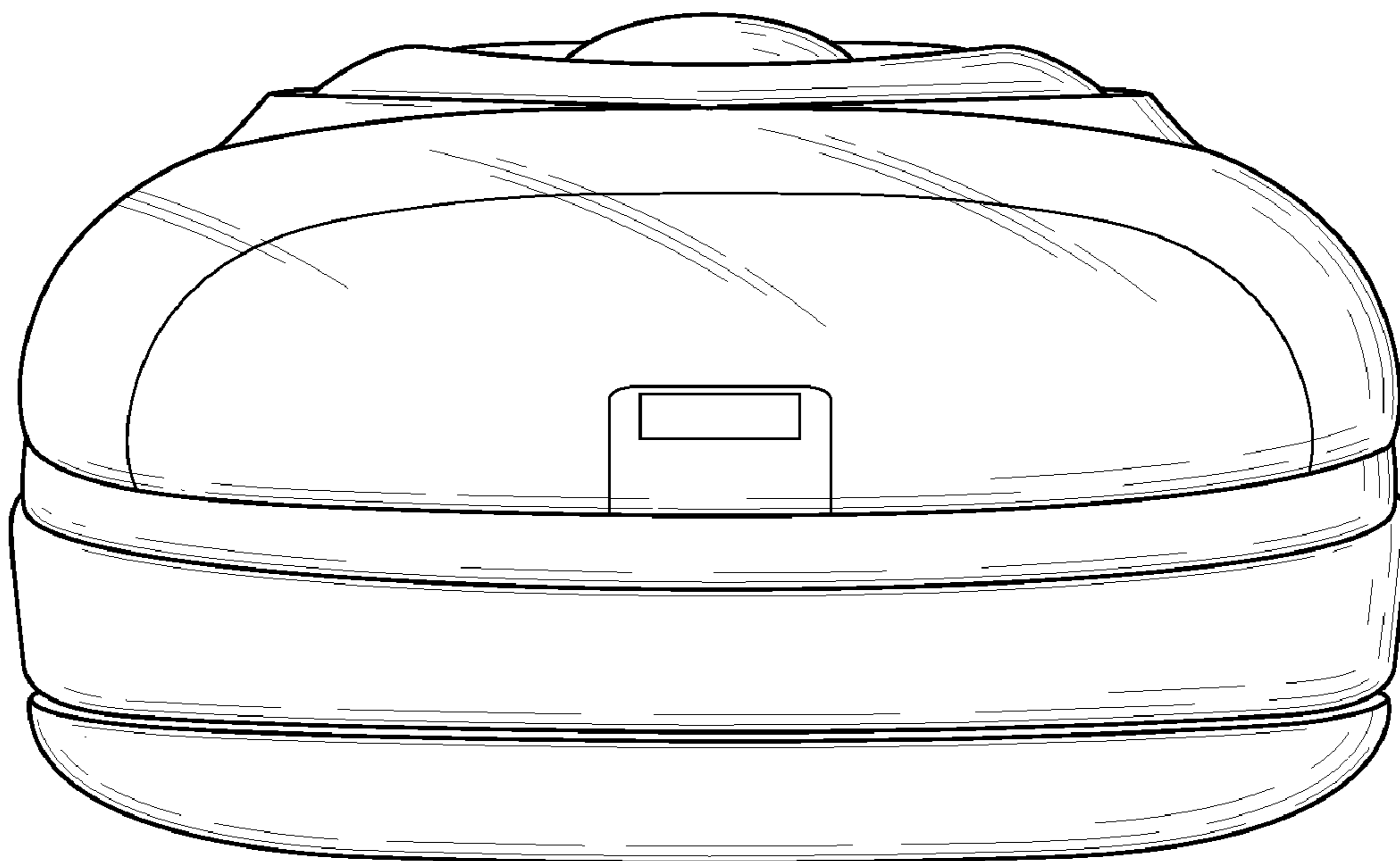


FIG. 5

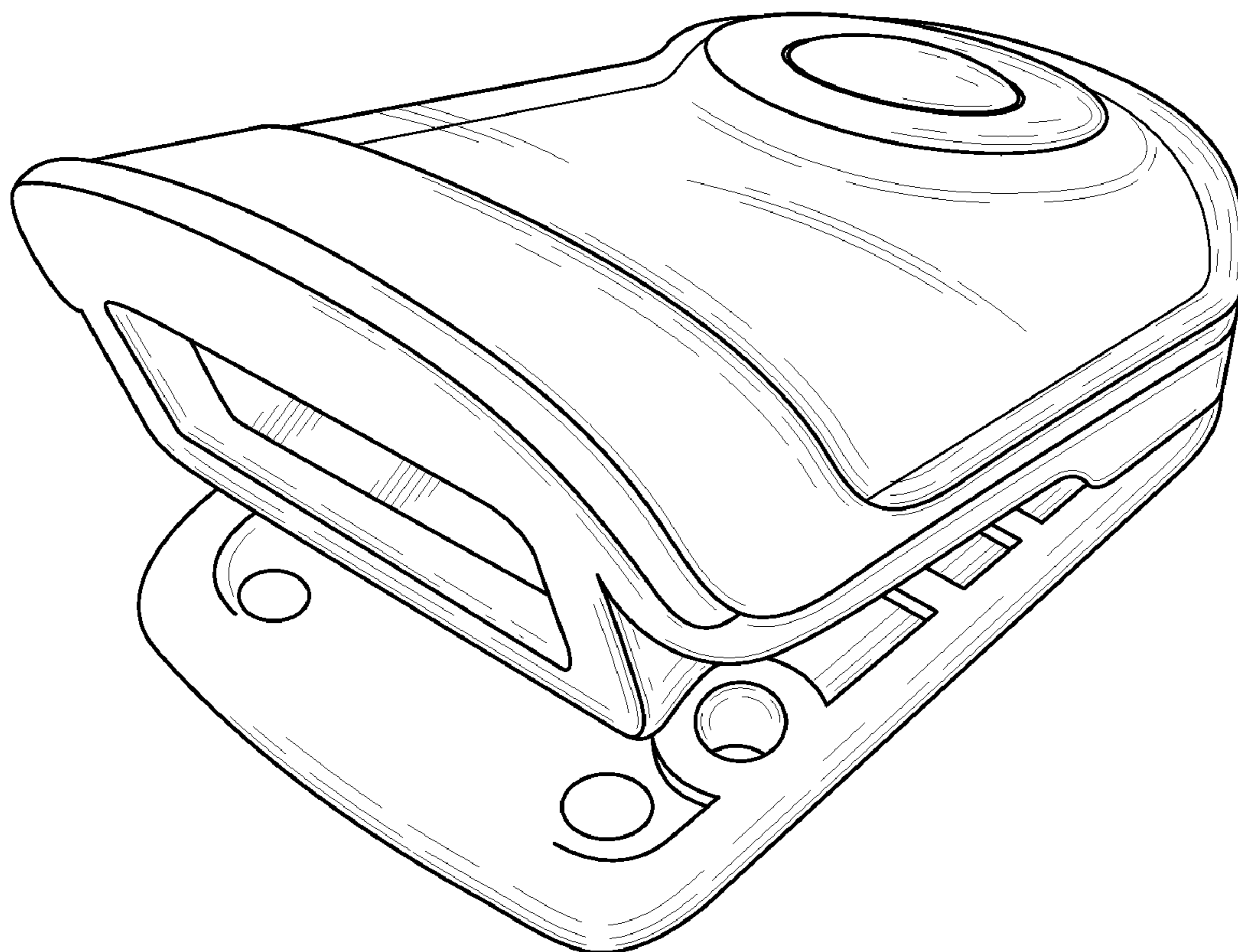


FIG. 6

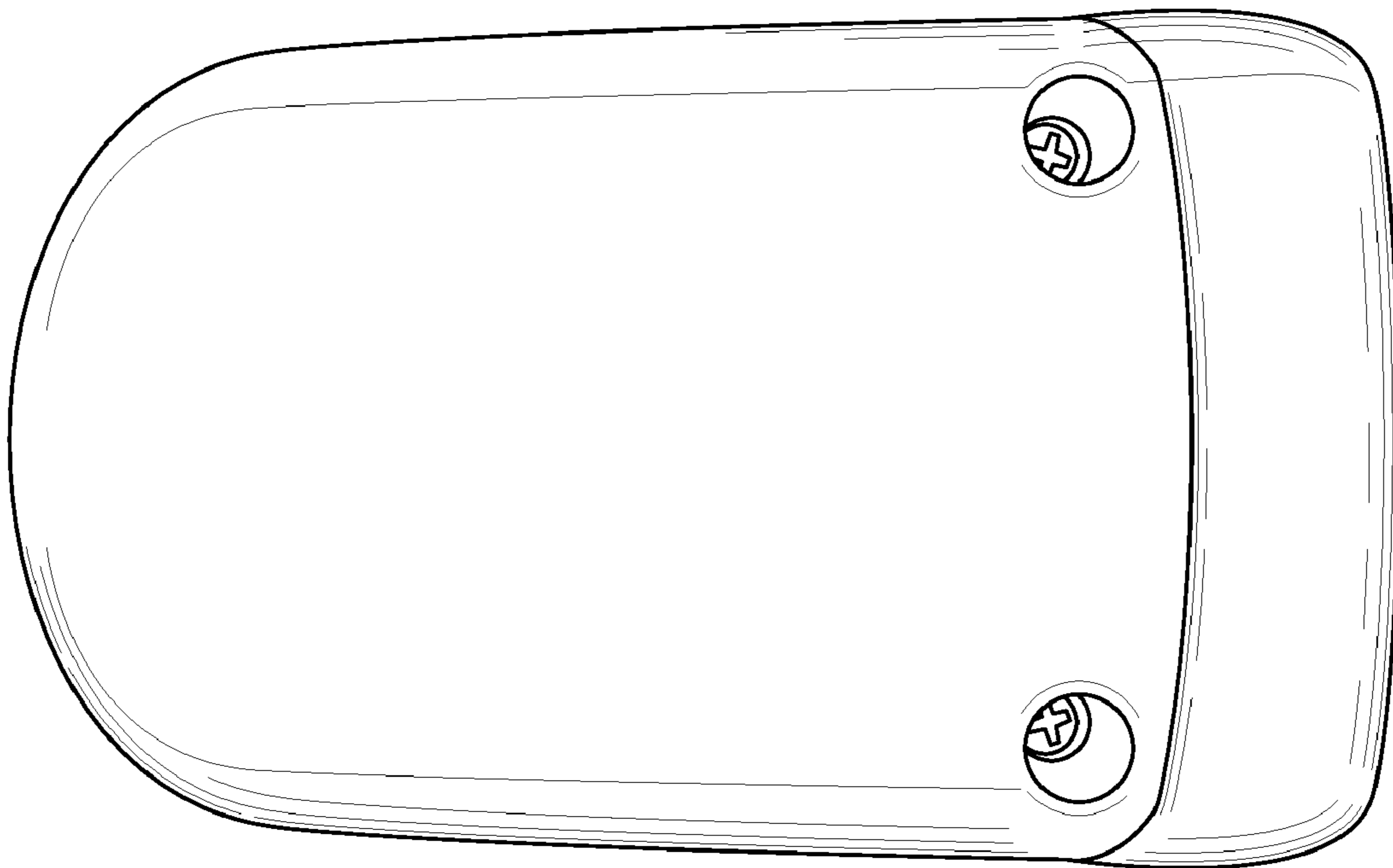


FIG. 7