



US00D595165S

(12) **United States Design Patent**  
**Silberberg**

(10) **Patent No.:** **US D595,165 S**

(45) **Date of Patent:** **\*\* Jun. 30, 2009**

(54) **BUBBLE LEVEL**

D580,283 S \* 11/2008 Liao ..... D10/69

(75) Inventor: **Mark L Silberberg**, Rancho Palos Verdes, CA (US)

\* cited by examiner

*Primary Examiner*—Antoine D Davis

(73) Assignee: **Precision Designed Products, Inc.**, Harbor City, CA (US)

(74) *Attorney, Agent, or Firm*—Altman & Martin; Steven K. Martin

(\*\*) Term: **14 Years**

(57) **CLAIM**

(21) Appl. No.: **29/322,566**

The ornamental design for the bubble level, substantially as shown and described.

(22) Filed: **Aug. 7, 2008**

**DESCRIPTION**

(51) **LOC (9) Cl.** ..... **10-04**

(52) **U.S. Cl.** ..... **D10/69**

(58) **Field of Classification Search** ..... D10/69;  
33/365, 366.11–366.27, 367–391  
See application file for complete search history.

FIG. 1 is an isometric view showing the bubble level of my new design;

FIG. 2 is a side elevational view of the bubble level;

FIG. 3 is a side elevational view of the bubble level of the side opposite the side shown in FIG. 2;

FIG. 4 is an end elevational view of the bubble level;

FIG. 5 is an end elevational view of the bubble level of the end opposite the end shown in FIG. 4;

FIG. 6 is a top plan view of the bubble level; and,

FIG. 7 is a bottom plan view of the bubble level.

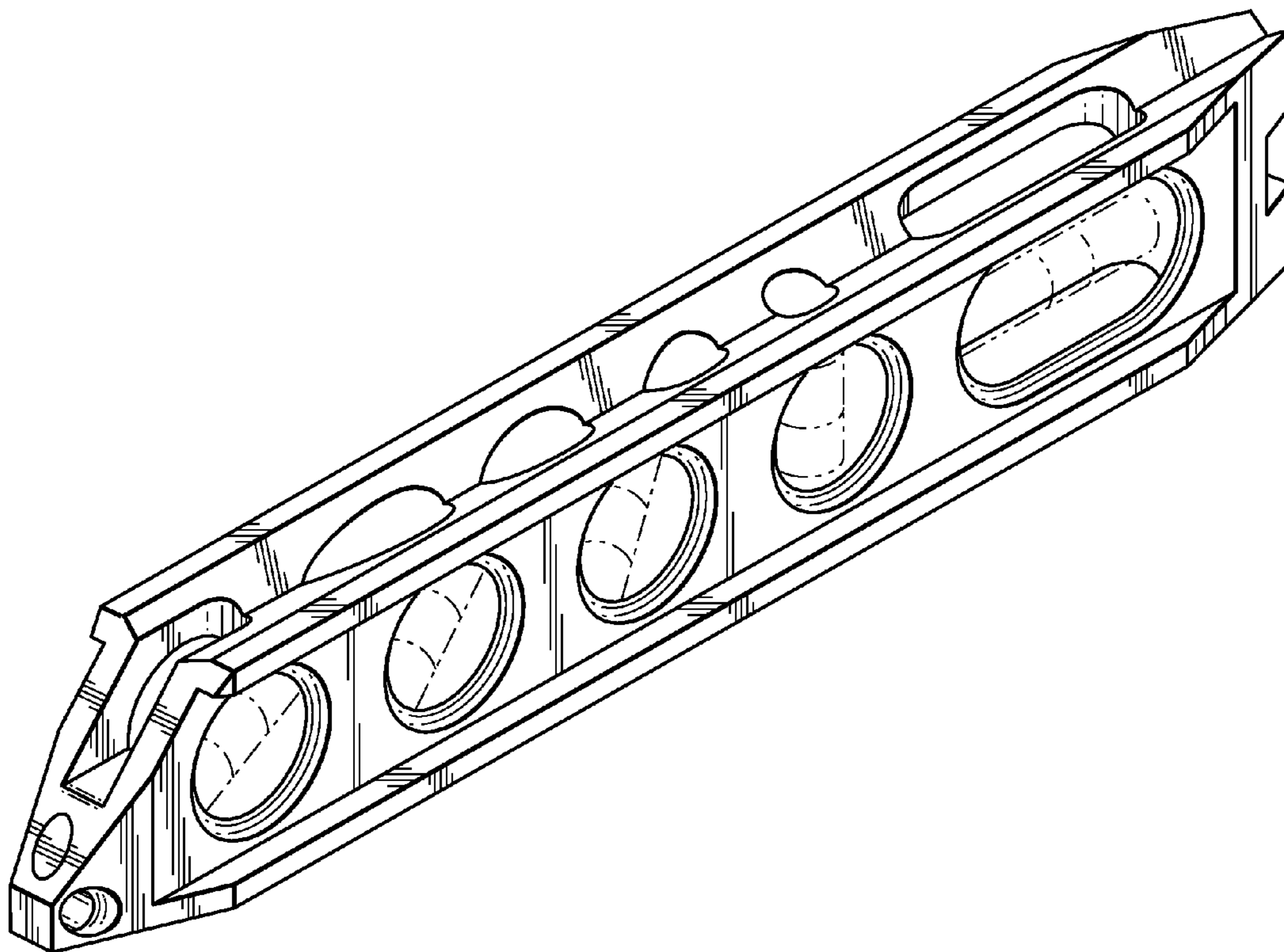
It is understood that the dashed lines presented in the drawings are for illustration only, and do not form a part of the claimed design.

(56) **References Cited**

**U.S. PATENT DOCUMENTS**

D371,309 S *	7/1996	Webb	.....	D10/69
D395,013 S	6/1998	Webb		
D409,100 S	5/1999	Brimer		
D411,470 S *	6/1999	Webb	.....	D10/69
D463,298 S	9/2002	Webb		
D503,349 S *	3/2005	Webb	.....	D10/69
D509,158 S *	9/2005	Silberberg	.....	D10/69
D538,186 S *	3/2007	Silberberg	.....	D10/69
D539,679 S	4/2007	Silberberg		
D576,063 S *	9/2008	Silberberg	.....	D10/69

**1 Claim, 4 Drawing Sheets**



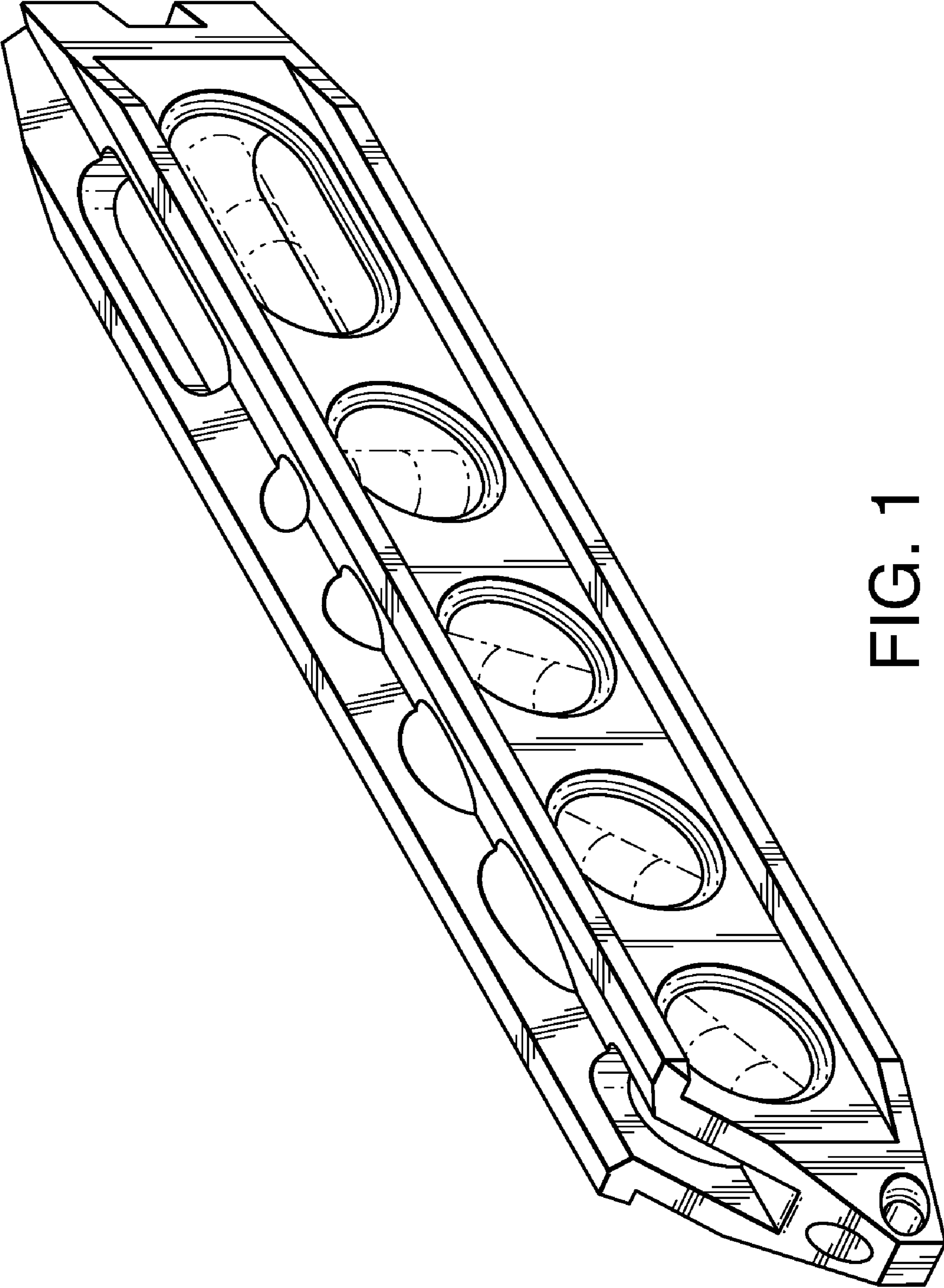


FIG. 1

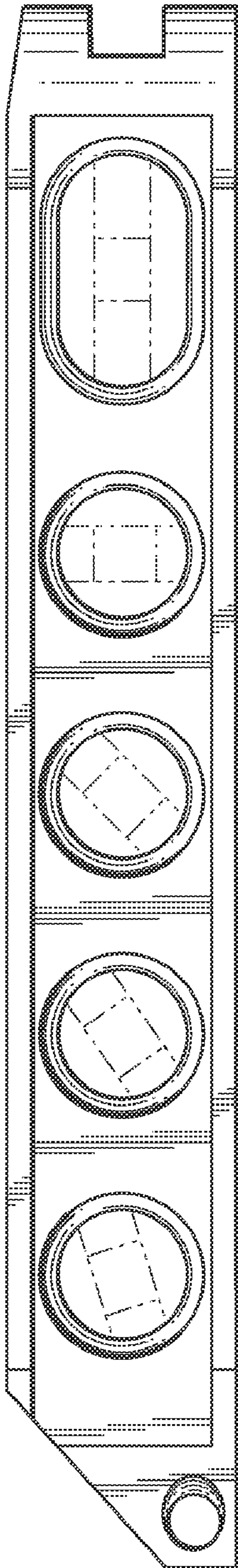


FIG. 2

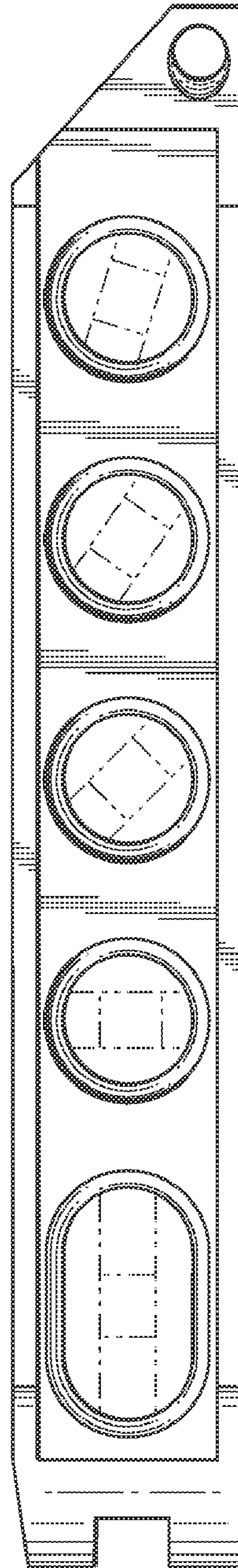


FIG. 3

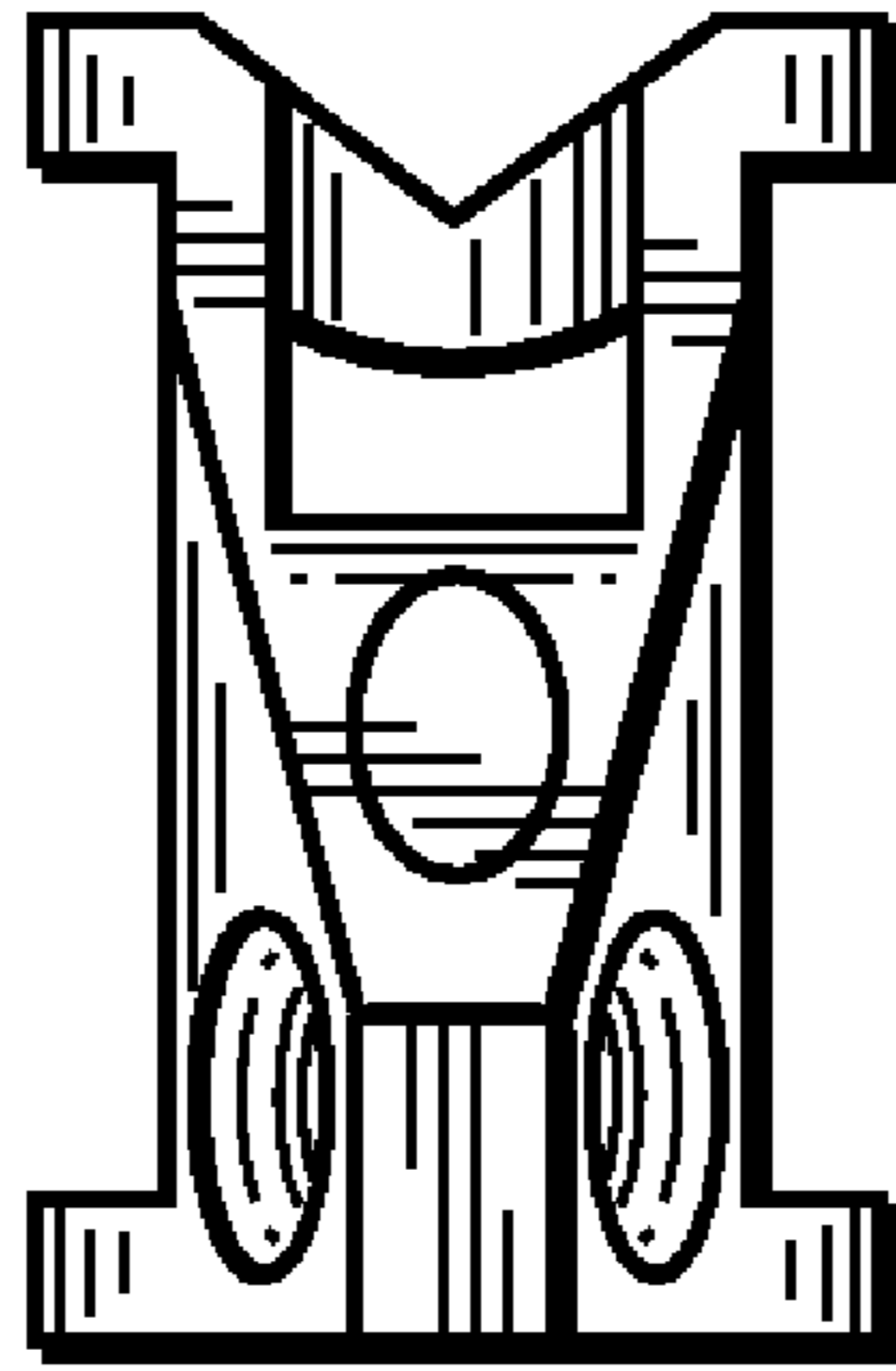


FIG. 4

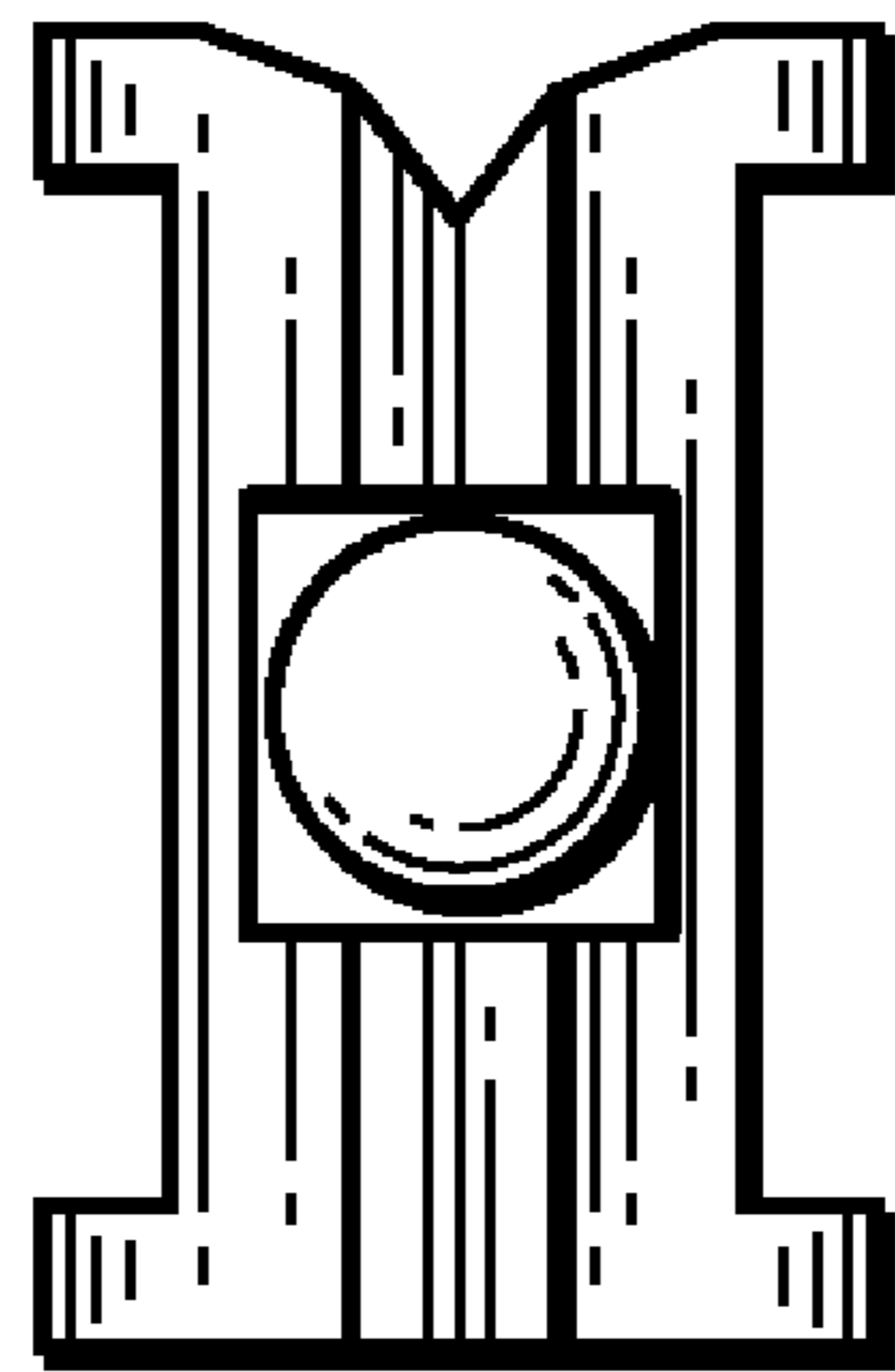


FIG. 5

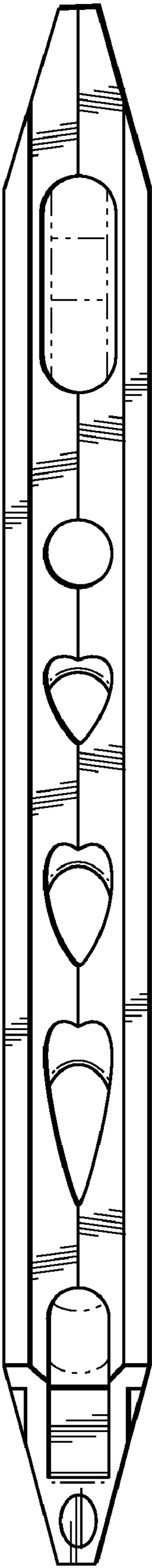


FIG. 6

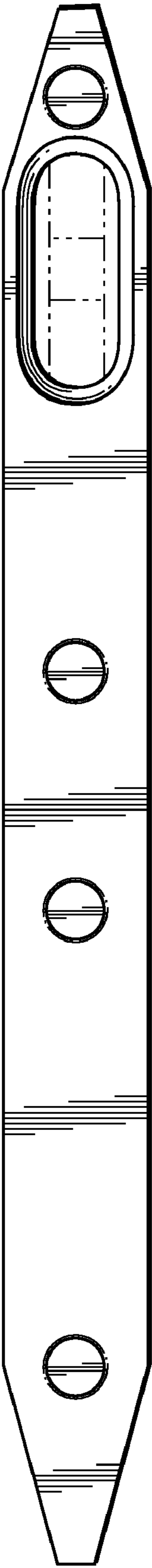


FIG. 7