



US00D595162S

(12) **United States Design Patent**  
**Murray et al.**

(10) **Patent No.:** **US D595,162 S**  
(45) **Date of Patent:** **\*\* Jun. 30, 2009**

(54) **NON-CONTACT THERMOMETER**

(75) Inventors: **Christopher J. Murray**, Baltimore, MD (US); **Michael L. Agronin**, Owings Mills, MD (US); **David A. Miller**, Baltimore, MD (US)

(73) Assignee: **Black & Decker Inc.**, Newark, DE (US)

(\*\*) Term: **14 Years**

(21) Appl. No.: **29/328,885**

(22) Filed: **Dec. 3, 2008**

(51) **LOC (9) Cl.** ..... **10-04**

(52) **U.S. Cl.** ..... **D10/57**

(58) **Field of Classification Search** ..... D10/57;  
374/1-208; 600/549

See application file for complete search history.

(56) **References Cited**

**U.S. PATENT DOCUMENTS**

4,343,182	A	8/1982	Pompei
4,372,690	A	2/1983	Berman
4,372,691	A	2/1983	Buckley
4,566,808	A	1/1986	Pompei
4,722,612	A	2/1988	Junkert
4,896,281	A	1/1990	Mack
5,803,604	A	9/1998	Pompei
6,048,093	A	4/2000	Pompei
7,196,509	B2	3/2007	Teng

D549,114 S \* 8/2007 Sebban ..... D10/57  
7,276,697 B2 10/2007 Devine  
D583,262 S \* 12/2008 Flandin et al. .... D10/57  
D583,263 S \* 12/2008 Sebban ..... D10/57

\* cited by examiner

*Primary Examiner*—Antoine D Davis

(74) *Attorney, Agent, or Firm*—Wesley W. Muller

(57) **CLAIM**

The ornamental design for a non-contact thermometer, as shown and described.

**DESCRIPTION**

FIG. 1 is a front perspective view of a non-contact thermometer according to the present invention;

FIG. 2 is a left side view of a non-contact thermometer of FIG. 1;

FIG. 3 is a right side view of the non-contact thermometer of FIG. 1;

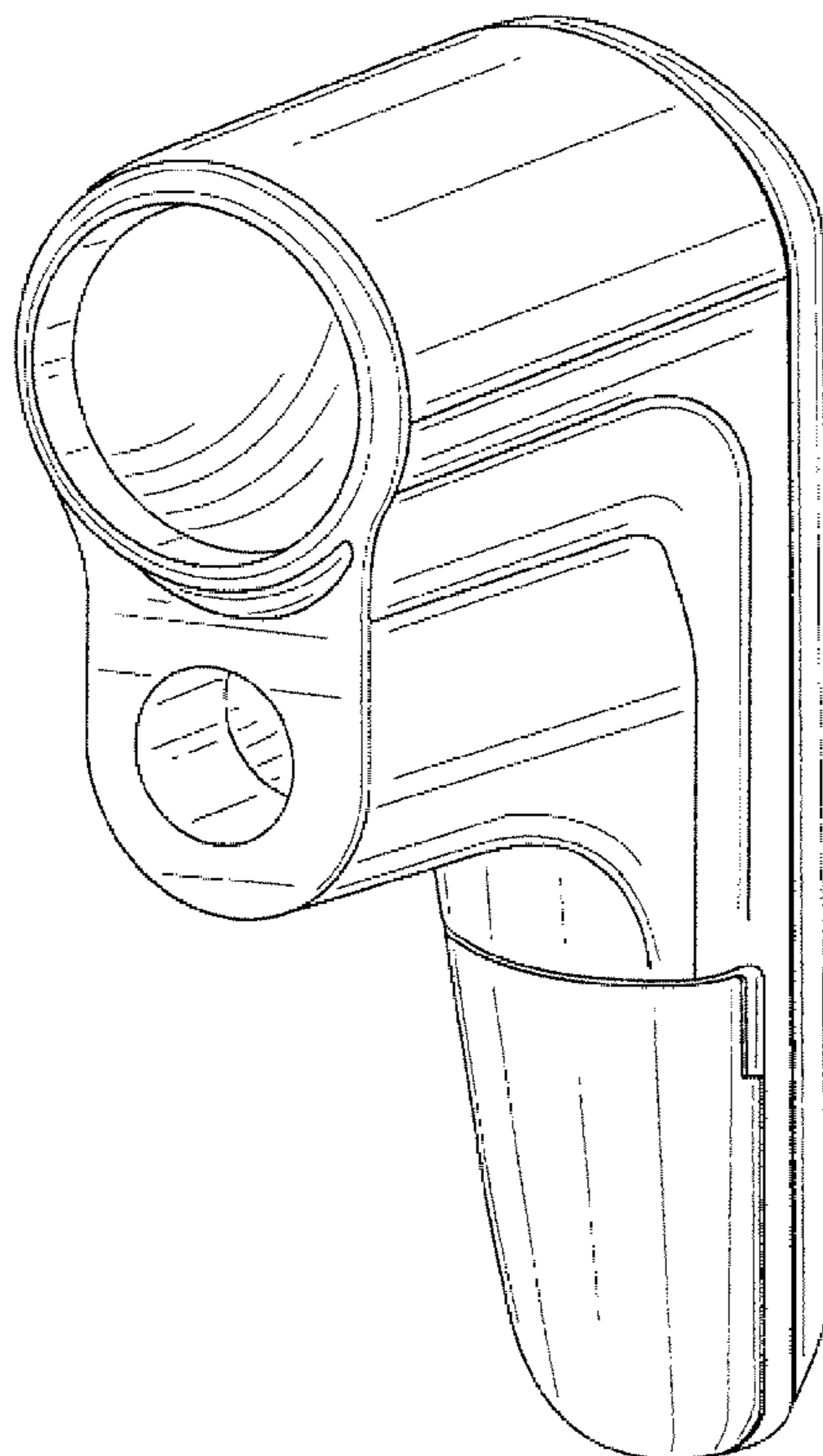
FIG. 4 is a rear view of the non-contact thermometer of FIG. 1;

FIG. 5 is a front view of the non-contact thermometer of FIG. 1;

FIG. 6 is a bottom view of the non-contact thermometer of FIG. 1; and,

FIG. 7 is a top view of the non-contact thermometer of FIG. 1.

**1 Claim, 7 Drawing Sheets**



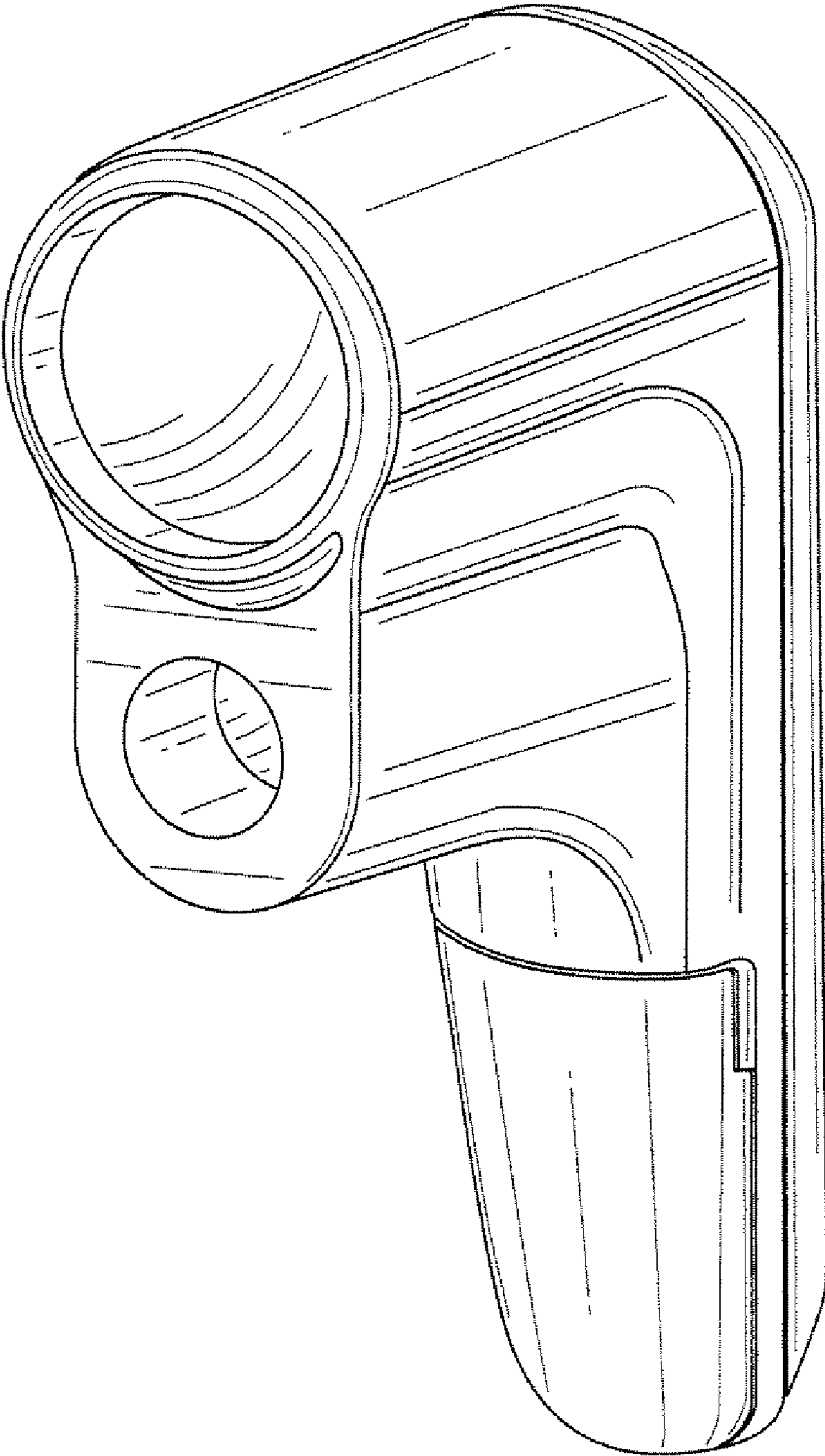


FIG. 1

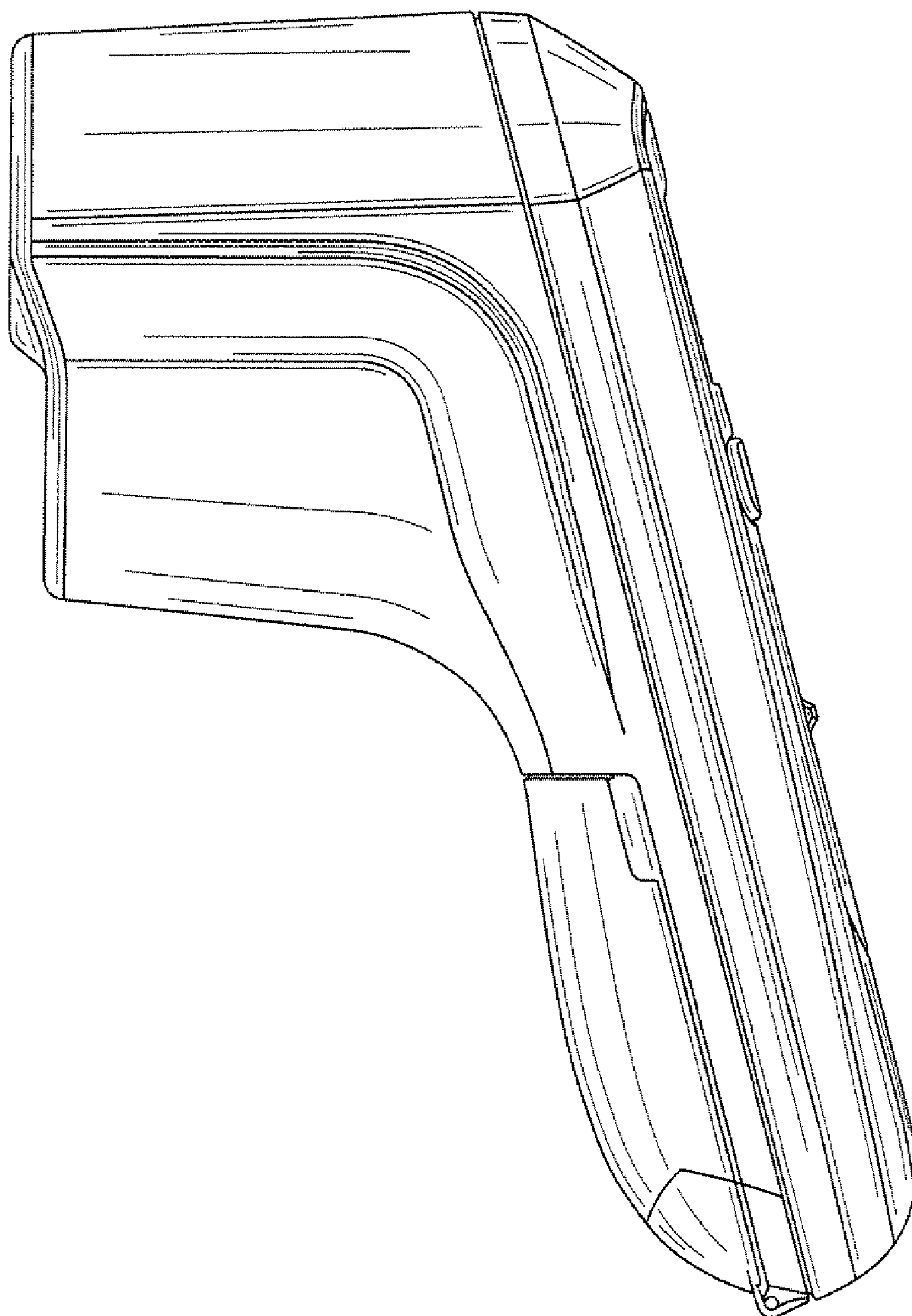


FIG. 2

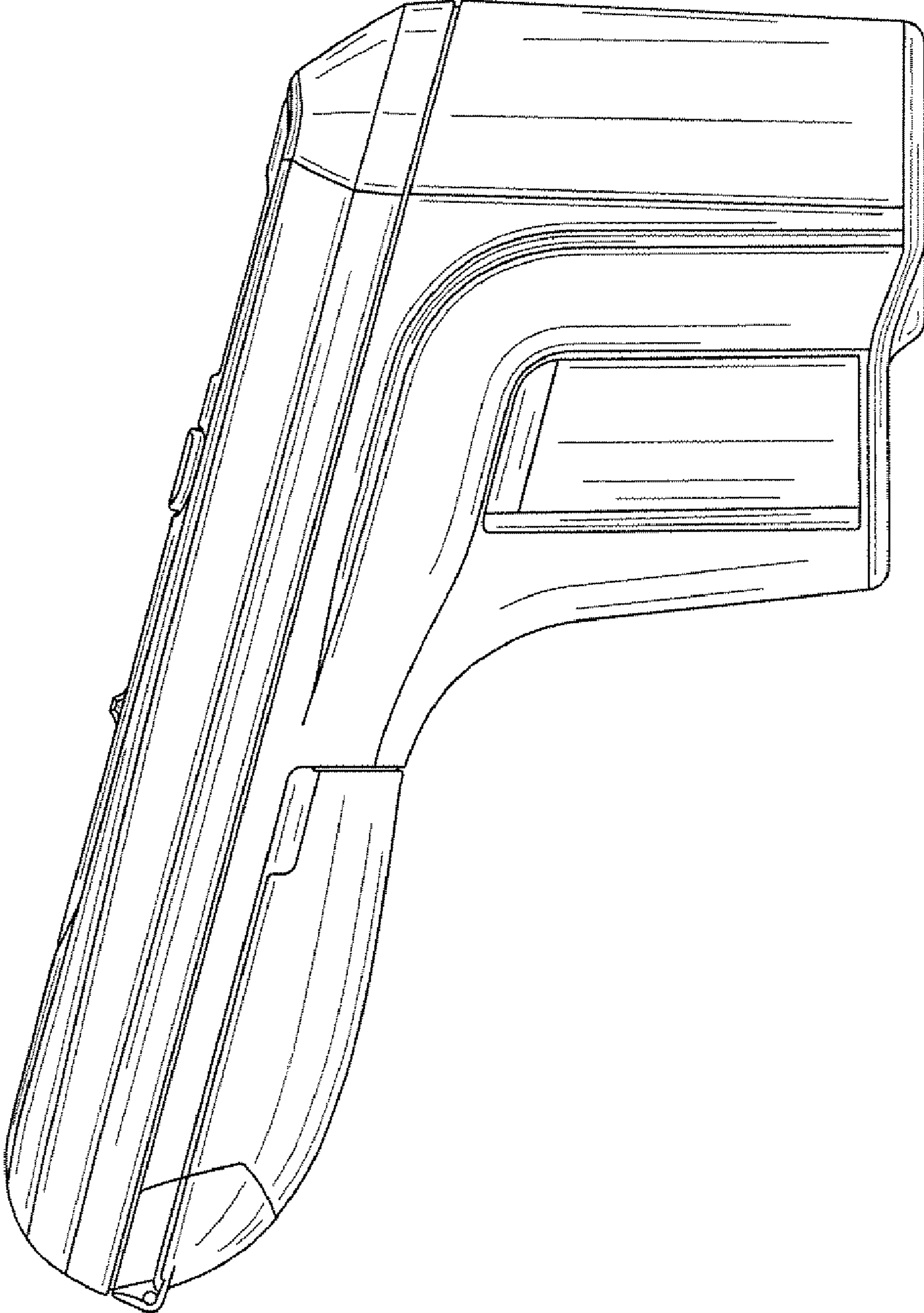


FIG. 3

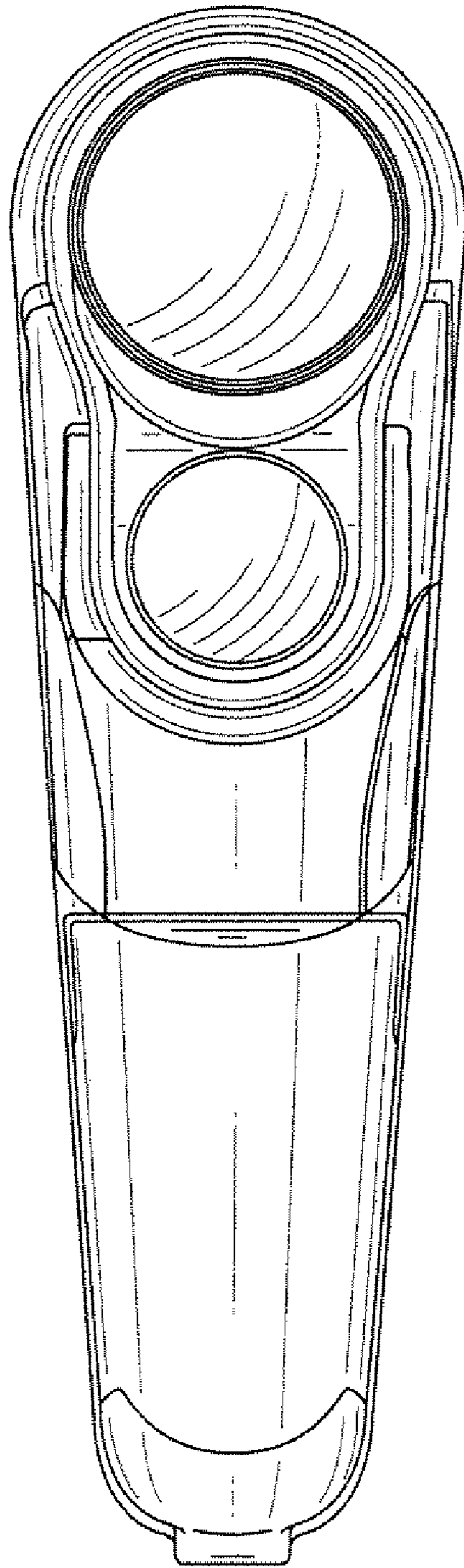


FIG. 4

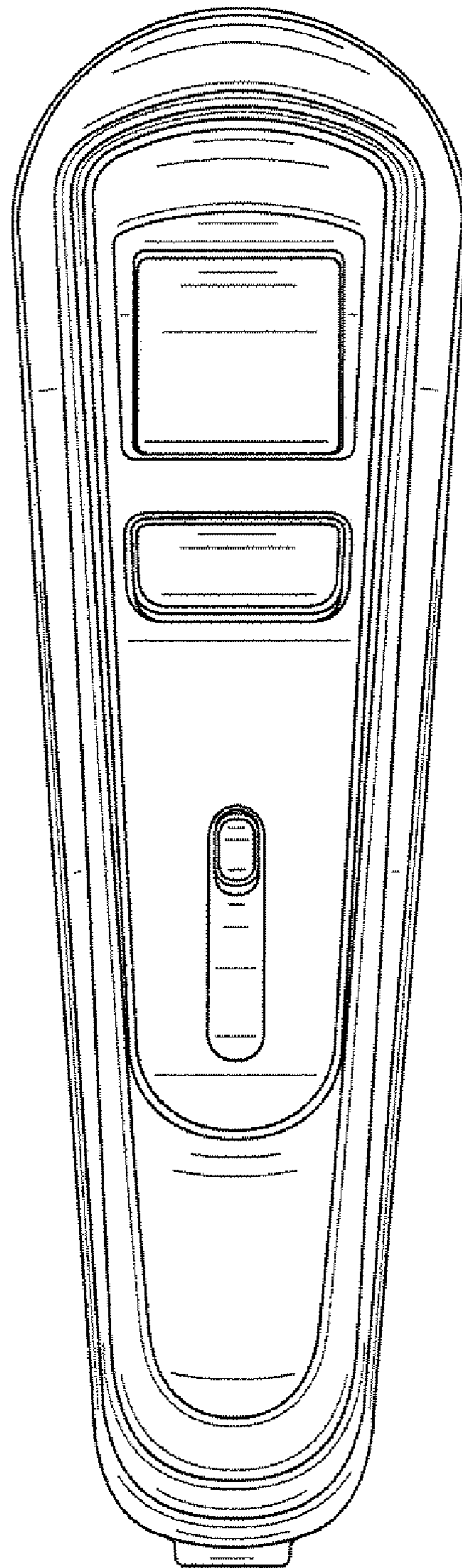


FIG. 5

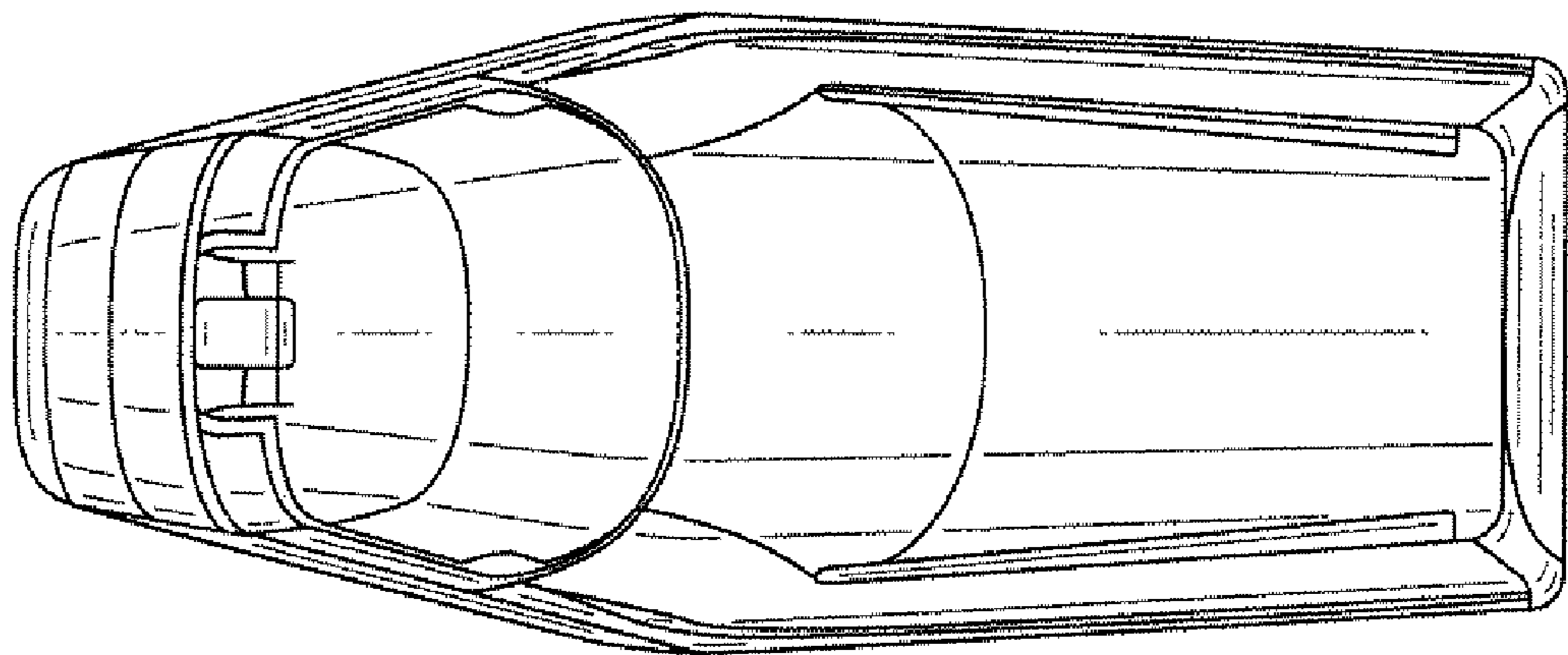


FIG. 6

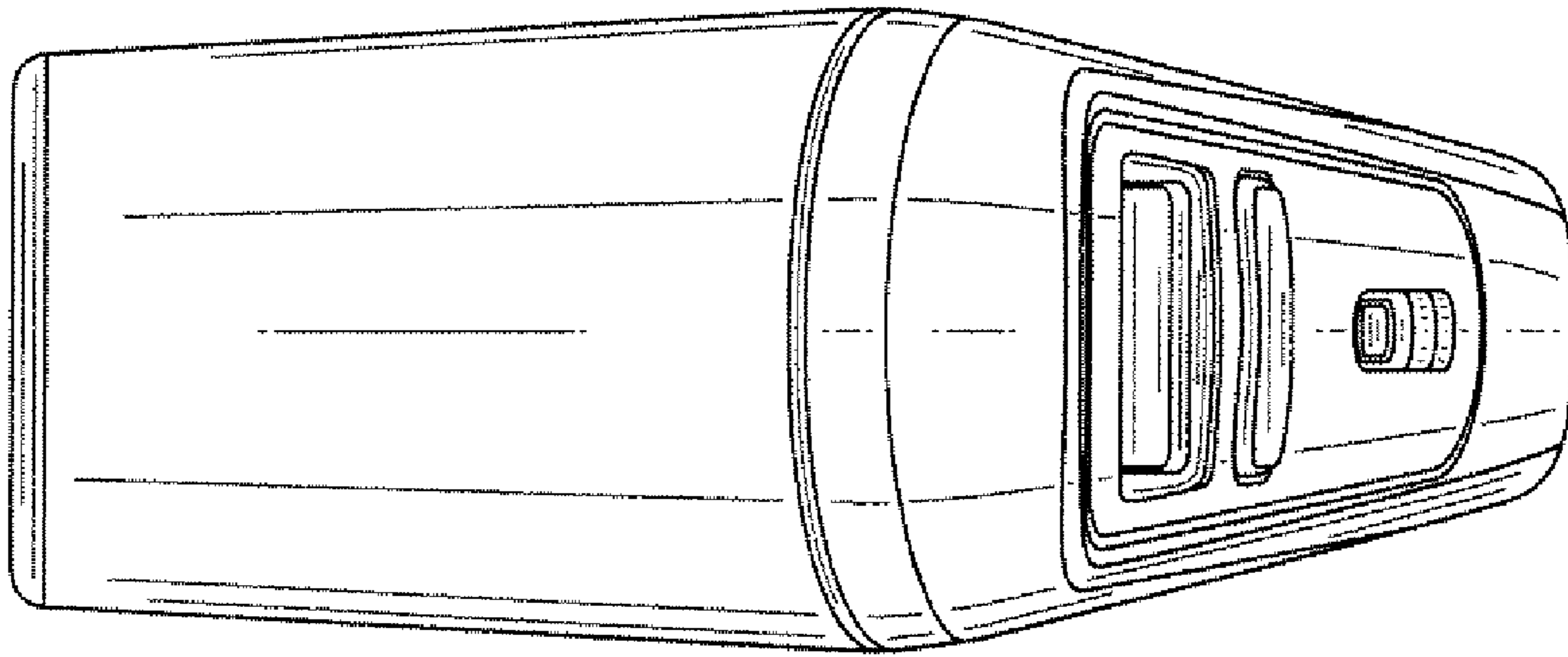


FIG. 7