



US00D595161S

(12) **United States Design Patent**
Fisher et al.

(10) **Patent No.:** **US D595,161 S**
(45) **Date of Patent:** **** Jun. 30, 2009**

(54) **COMMUNICATION MODULE FOR RADIO THERMOSTAT**

(75) Inventors: **Matthew T. Fisher**, Reno, NV (US);
Timothy M. Simon, San Francisco, CA (US)

(73) Assignee: **Tim Simon, Inc.**, San Francisco, CA (US)

(**) Term: **14 Years**

(21) Appl. No.: **29/329,134**

(22) Filed: **Dec. 9, 2008**

(51) **LOC (9) Cl.** **10-04**

(52) **U.S. Cl.** **D10/50**

(58) **Field of Classification Search** D10/49-50;
236/5, 46 R-46 F, 47, 49.3, 51, 84, 94; 340/7.21-7.24,
340/7.32, 825.6, 825.72, 539.1, 539.14, 539.21,
340/539.26, 426.21, 584.589, 870.17; 374/167;
400/485; 455/420, 226.1

See application file for complete search history.

(56) **References Cited**

U.S. PATENT DOCUMENTS

- D518,744 S 4/2006 Rosen et al.
- D582,800 S * 12/2008 Comerford et al. D10/50
- D582,801 S * 12/2008 Comerford et al. D10/50
- D582,802 S * 12/2008 Branson et al. D10/50
- D582,803 S * 12/2008 Comerford et al. D10/50

* cited by examiner

Primary Examiner—Antoine D Davis

(74) *Attorney, Agent, or Firm*—James F. Hann; Haynes Beffell & Wolfeld LLP

(57) **CLAIM**

The ornamental design for a communication module for radio thermostat, as shown and described.

DESCRIPTION

The communication module for radio thermostat is used with and mounted to a radio thermostat to permit the radio thermostat to communicate with other devices. The thermostat may be of the type used in residential and commercial buildings.

FIG. 1 is a front, right side, top perspective view of a Front Housing for Thermostat showing our new design;

FIG. 2 is a top plan view thereof;

FIG. 3 is a front elevational view thereof;

FIG. 4 is a right side elevational view thereof;

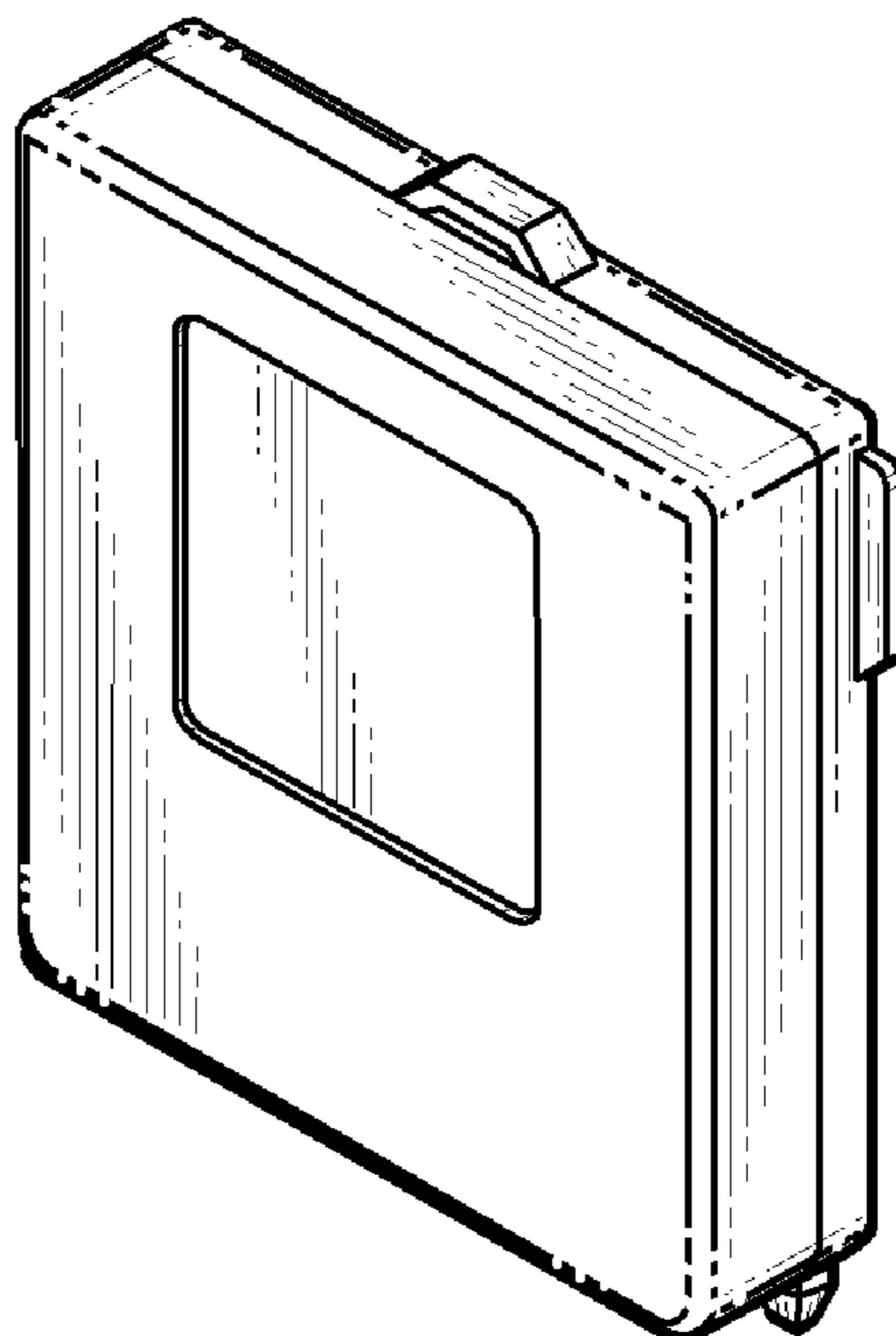
FIG. 5 is a left side elevational view thereof;

FIG. 6 is a bottom plan view thereof; and,

FIG. 7 is a front elevational view of an alternative embodiment thereof.

The broken line showing of structural features is included for the purpose of illustrating non-claimed subject matter and forms no part of the claimed design.

1 Claim, 2 Drawing Sheets



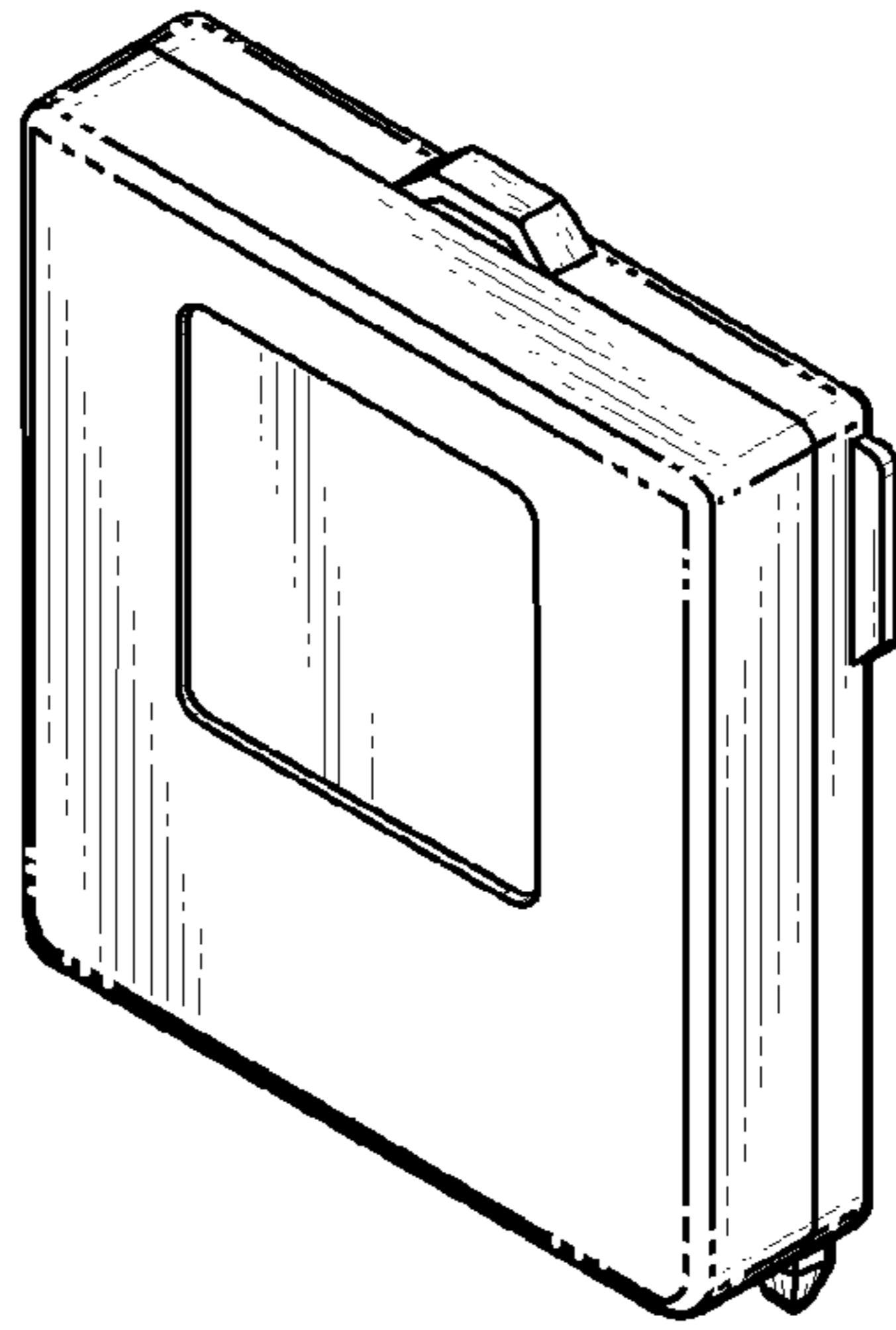


FIG. 1

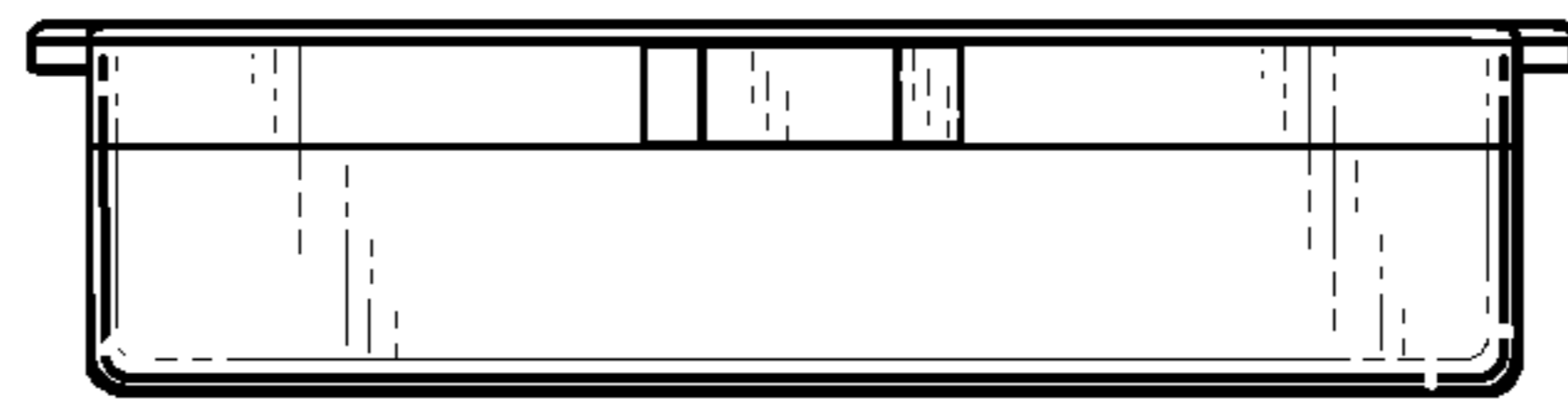


FIG. 2

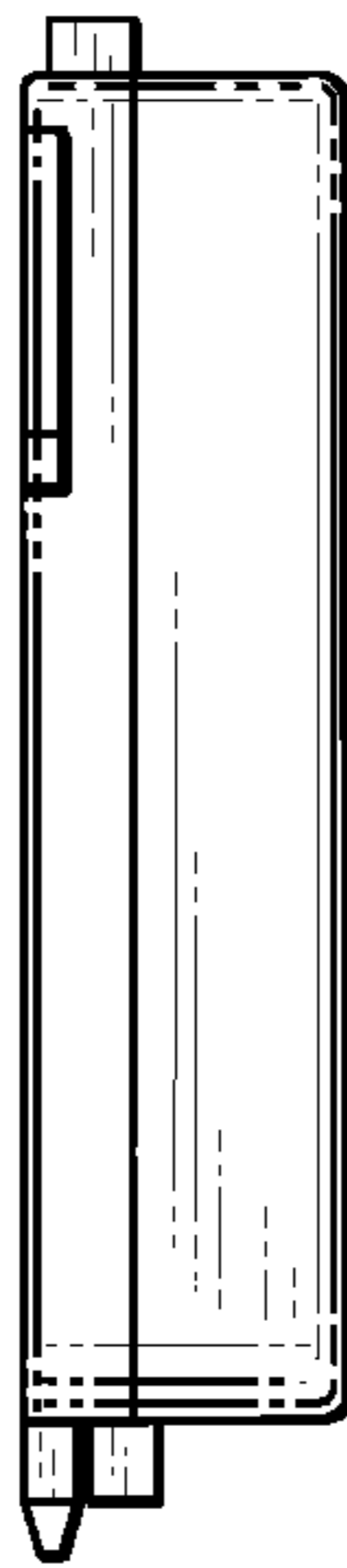


FIG. 5

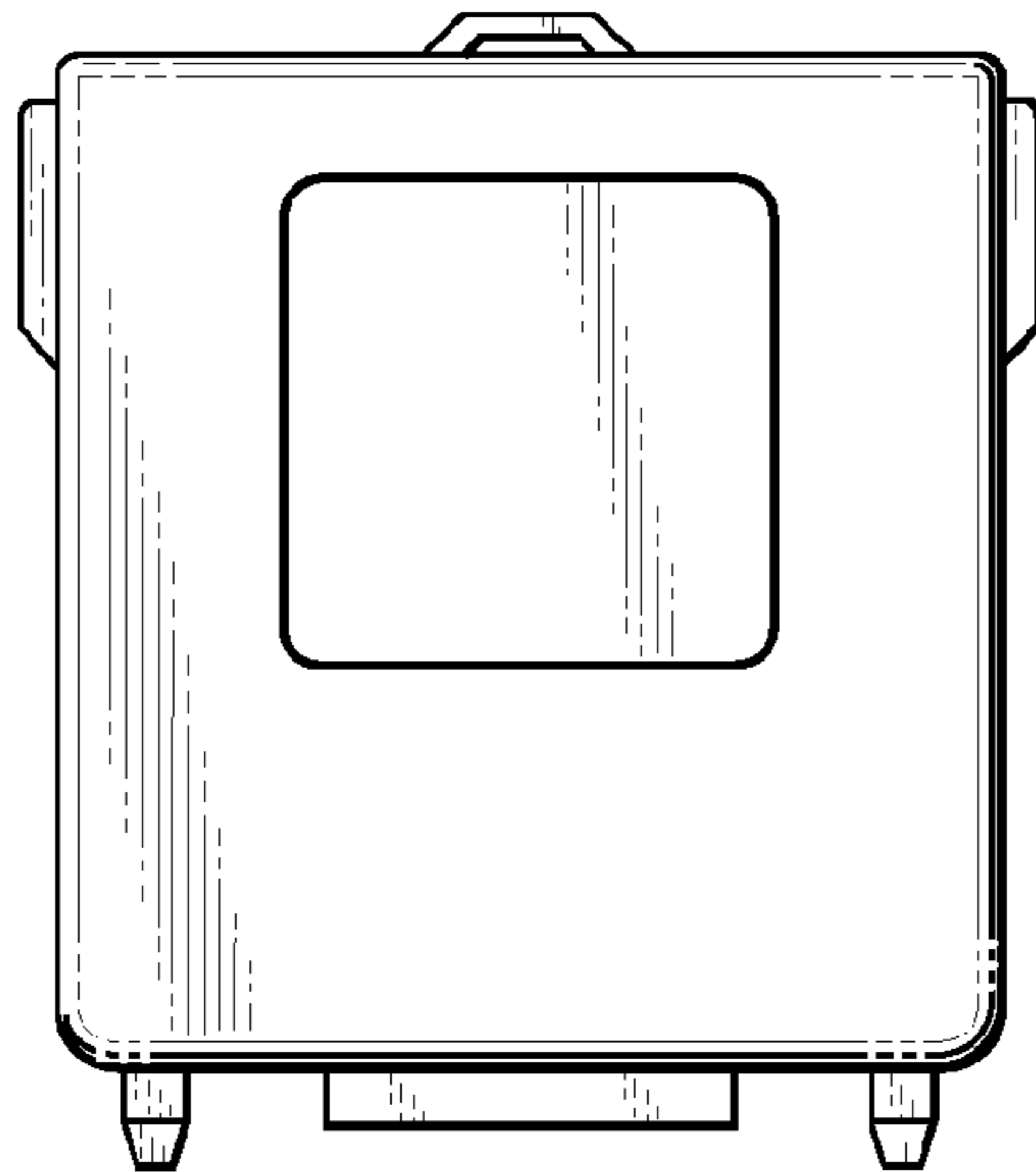


FIG. 3

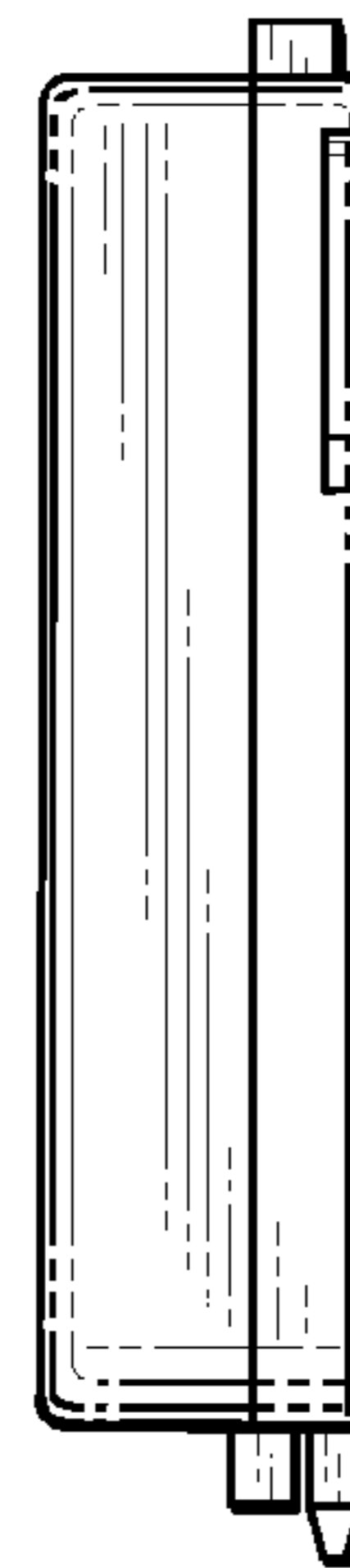


FIG. 4



FIG. 6

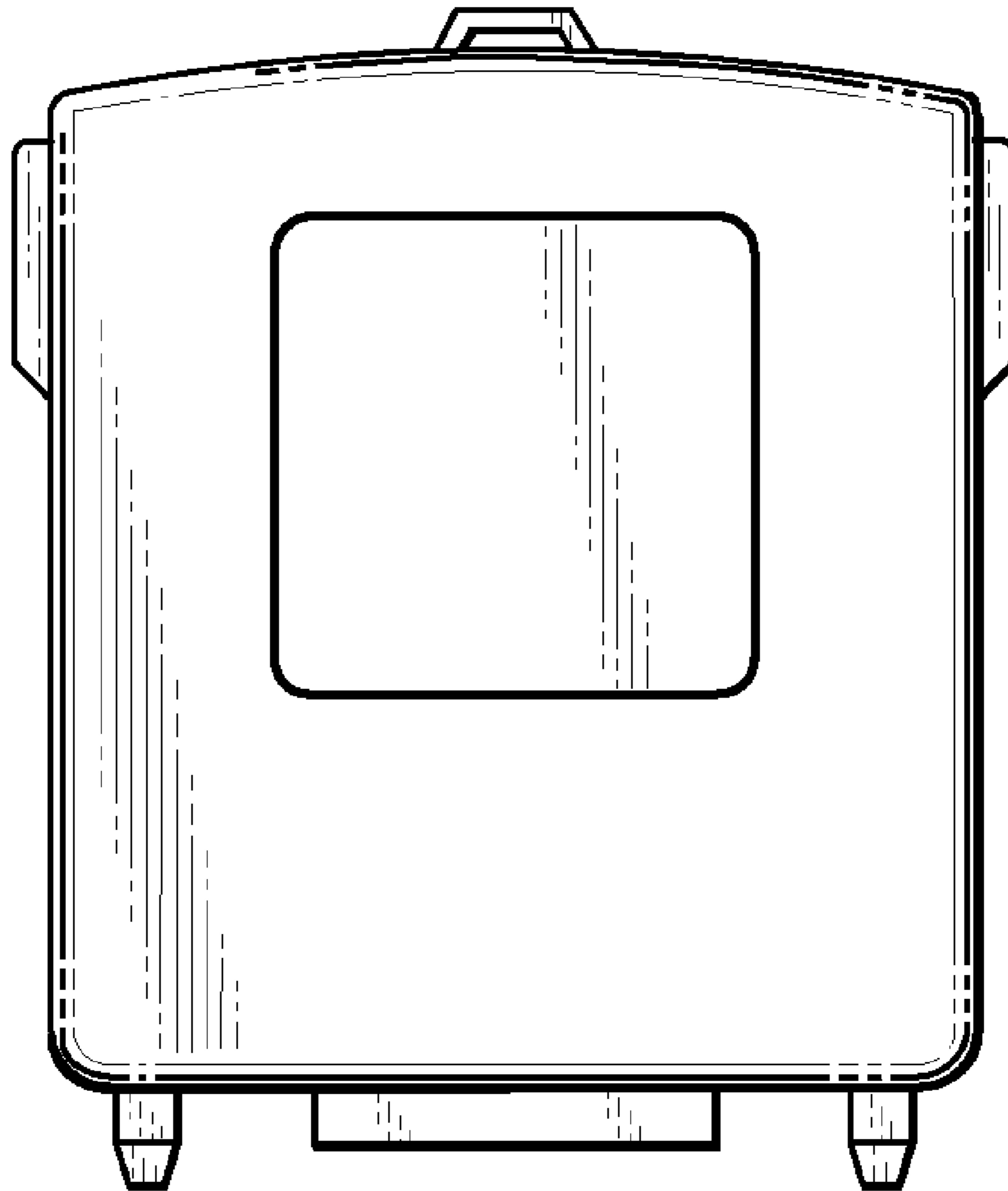


FIG. 7