

US00D595160S

(12) **United States Design Patent**
Fisher et al.

(10) **Patent No.:** **US D595,160 S**
(45) **Date of Patent:** **** Jun. 30, 2009**

(54) **FRONT HOUSING FOR THERMOSTAT**

(75) Inventors: **Matthew T. Fisher**, Reno, NV (US);
Timothy M. Simon, San Francisco, CA
(US)

(73) Assignee: **Tim Simon, Inc.**, San Francisco, CA
(US)

(**) Term: **14 Years**

(21) Appl. No.: **29/329,132**

(22) Filed: **Dec. 9, 2008**

(51) **LOC (9) Cl.** **10-04**

(52) **U.S. Cl.** **D10/50**

(58) **Field of Classification Search** D10/49-50;
236/5, 46 R-46 F, 47, 49.3, 51, 84, 94; 340/7.21-7.24,
340/7.32, 825.6, 825.72, 539.1, 539.14, 539.21,
340/539.26, 426.21, 584, 589, 870.17; 374/167;
400/485; 455/420, 226.1

See application file for complete search history.

(56) **References Cited**

U.S. PATENT DOCUMENTS

- D360,145 S 7/1995 Odom et al.
- 6,504,580 B1 1/2003 Thompson et al.
- D520,386 S 5/2006 Takach et al.
- D551,577 S * 9/2007 Barton et al. D10/50
- D558,071 S * 12/2007 Simon et al. D10/50

- D558,072 S * 12/2007 Simon et al. D10/50
- D558,073 S * 12/2007 Simon et al. D10/50
- D584,645 S * 1/2009 L1 D10/50
- 2006/0186214 A1 8/2006 Simon et al.
- 2006/0192022 A1 * 8/2006 Barton et al. 236/94
- 2008/0185451 A1 8/2008 Simon et al.

* cited by examiner

Primary Examiner—Antoine D Davis

(74) *Attorney, Agent, or Firm*—James F. Hann; Haynes Beffel & Wolfeld LLP

(57) **CLAIM**

The ornamental design for a front housing for thermostat, as shown and described.

DESCRIPTION

The front housing for thermostat is used to at least partially contain a thermostat. The thermostat may be of the type used in residential and commercial buildings.

FIG. 1 is a front, left side, top perspective view of a front housing for thermostat showing our new design;

FIG. 2 is a top plan view thereof;

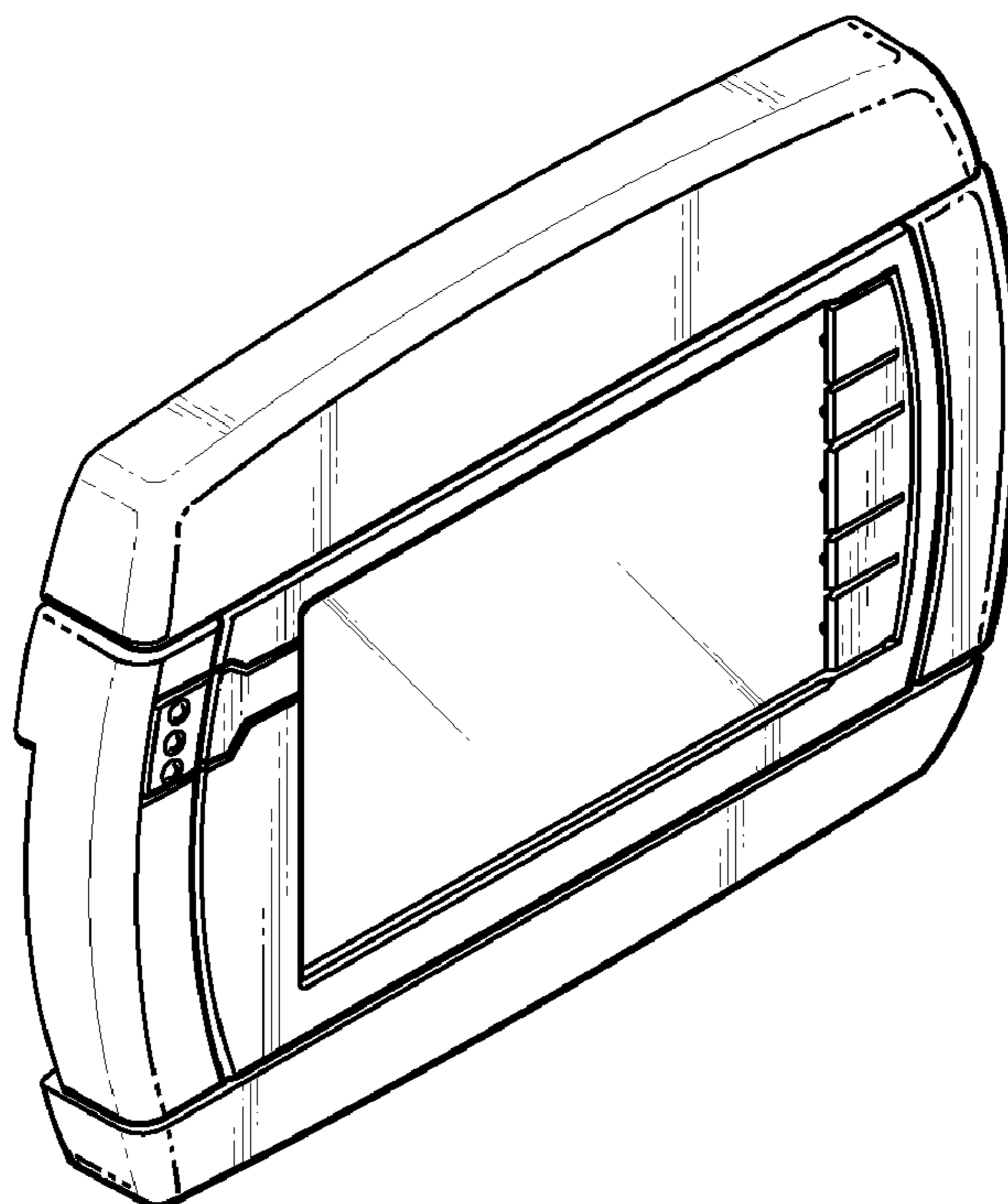
FIG. 3 is a front elevational view thereof;

FIG. 4 is a right side elevational view thereof;

FIG. 5 is a left side elevational view thereof; and,

FIG. 6 is a bottom plan view thereof.

1 Claim, 1 Drawing Sheet



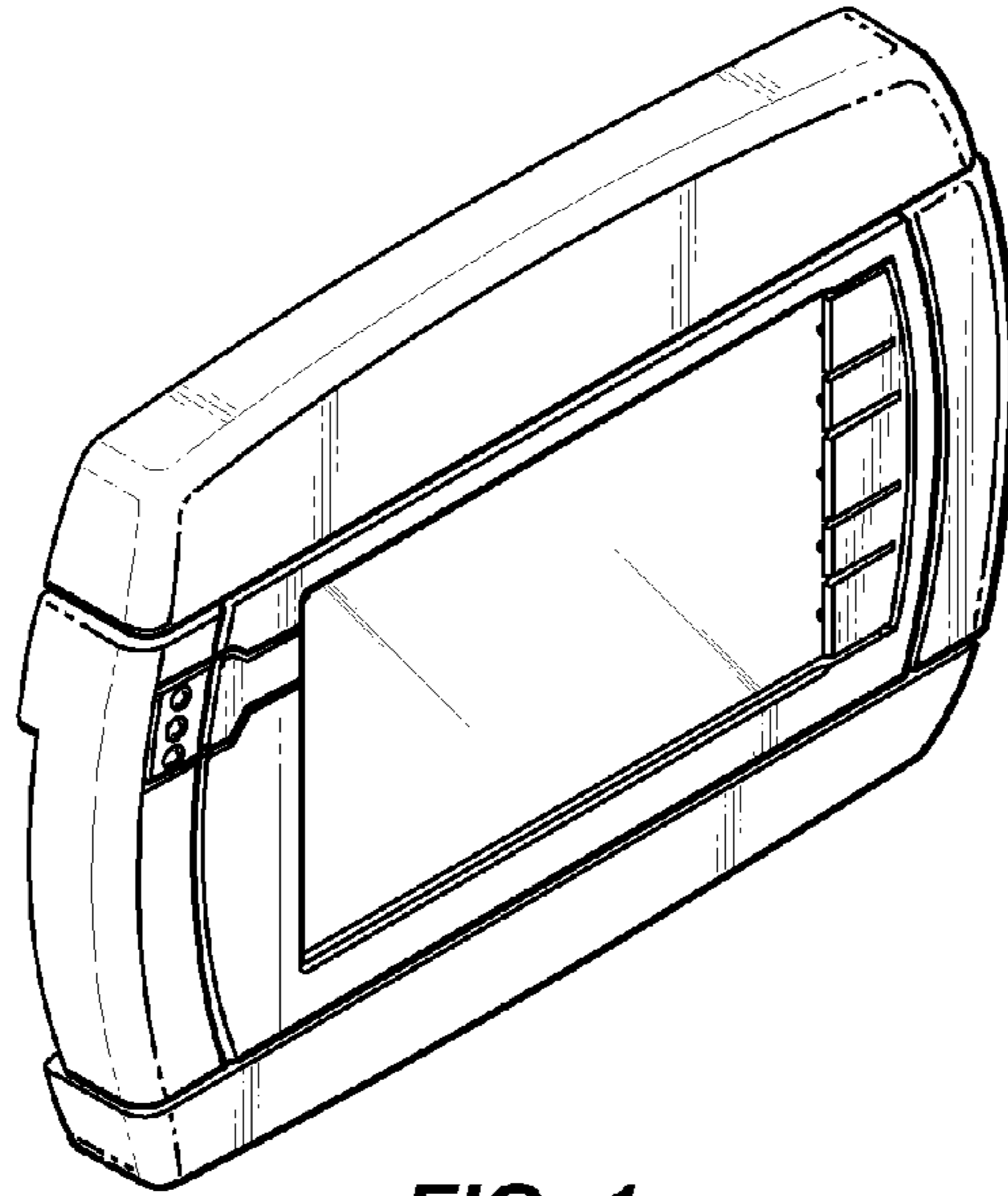


FIG. 1

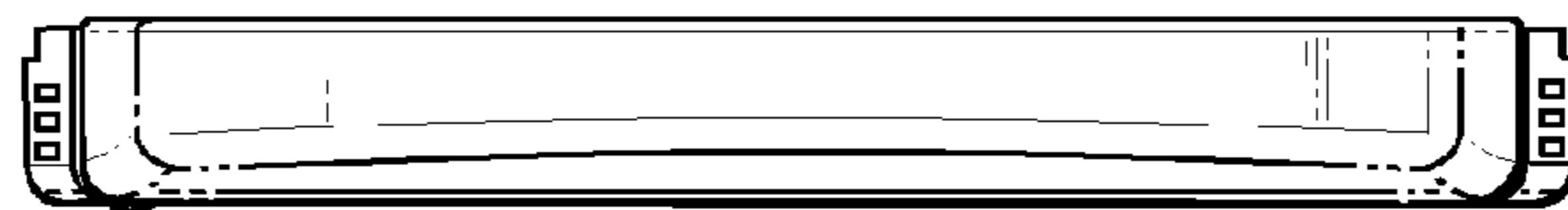


FIG. 2



FIG. 5

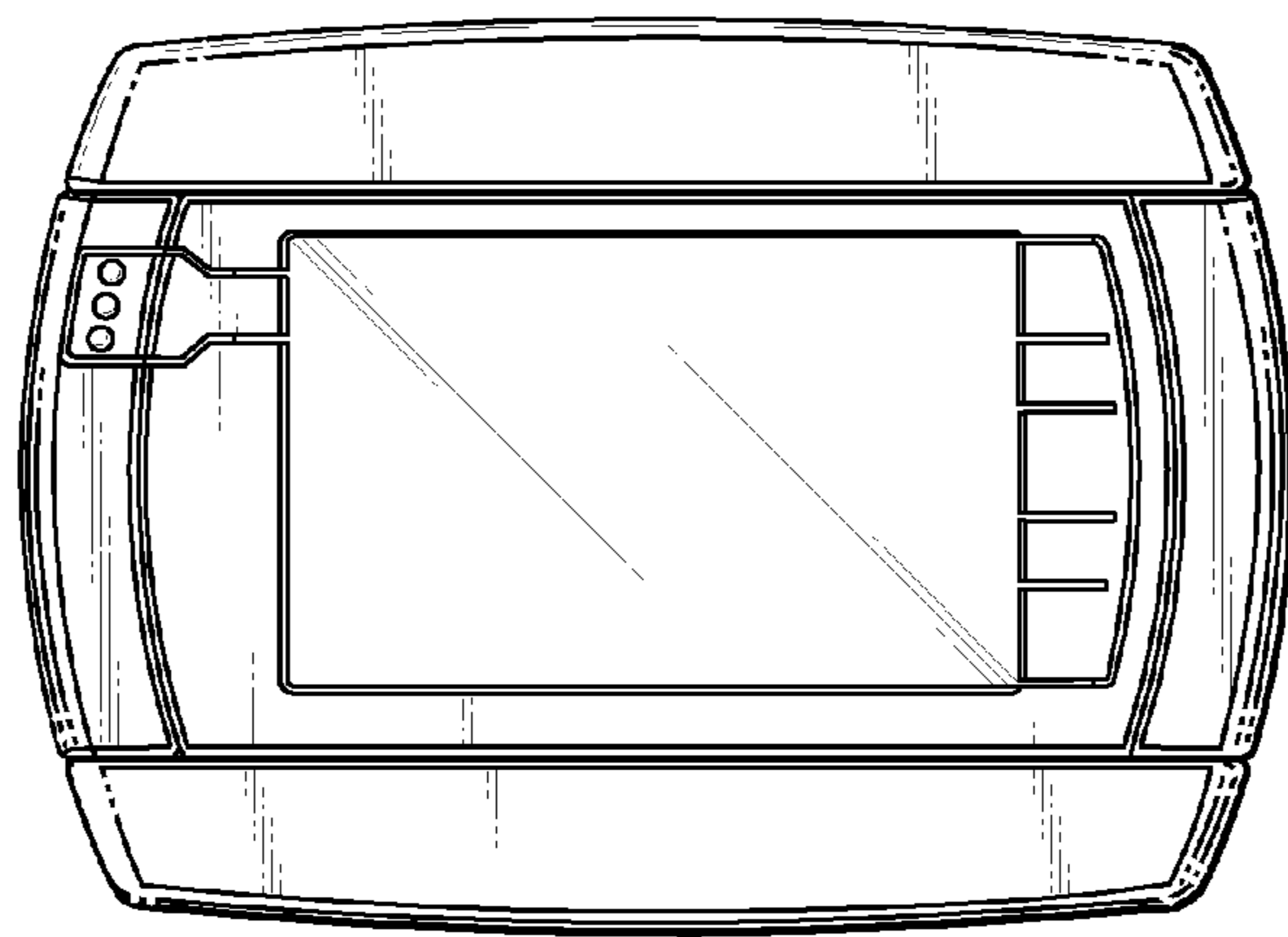


FIG. 3

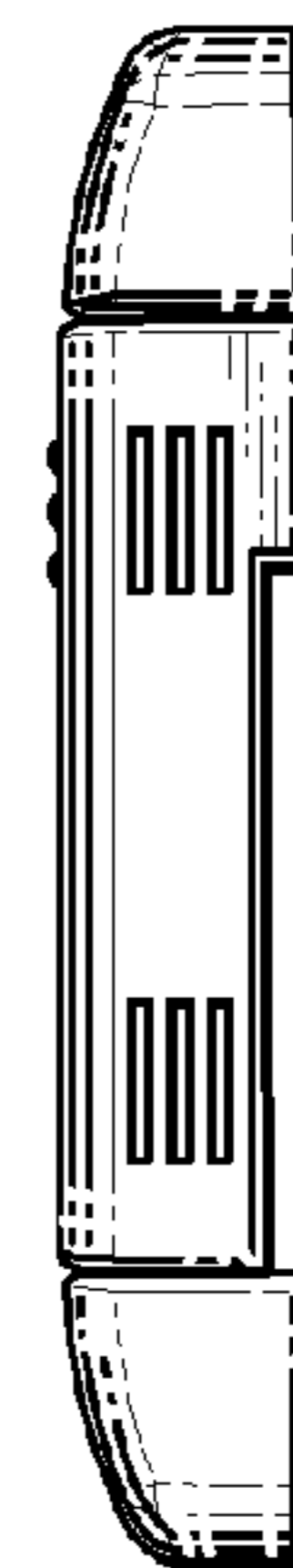


FIG. 4

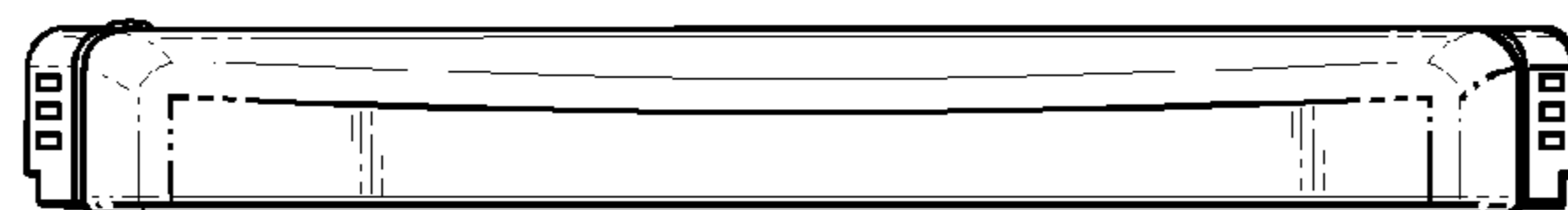


FIG. 6