

US00D595158S

(12) **United States Design Patent**
Naimi et al.

(10) **Patent No.:** **US D595,158 S**
(45) **Date of Patent:** **** Jun. 30, 2009**

(54) **PARKING TIMER REMINDER DEVICE**

(76) Inventors: **Yaakov Naimi**, 352 S. Rexford Dr., Beverly Hills, CA (US) 90212; **Shai Zamotsky**, 352 S. Rexford Dr., Beverly Hills, CA (US) 90212

(**) Term: **14 Years**

(21) Appl. No.: **29/329,054**

(22) Filed: **Dec. 8, 2008**

(51) **LOC (9) Cl.** **10-03**

(52) **U.S. Cl.** **D10/40; D10/2; D10/41; D26/38**

(58) **Field of Classification Search** D10/40, D10/41, 42, 1-29; D26/38, 37, 46, 49; 368/10, 368/276, 285, 284, 107-123; D3/208, 209
See application file for complete search history.

(56) **References Cited**

U.S. PATENT DOCUMENTS

2,237,963	A *	4/1941	Hawks	33/348
D159,278	S *	7/1950	Leland	D3/208
D210,040	S *	1/1968	Moore	D26/49
3,853,090	A	12/1974	Watson et al.	
D313,663	S *	1/1991	Yuen	D26/38
D331,293	S *	11/1992	Dickerson	D26/49
D361,531	S *	8/1995	Wolkenfeld	D10/40
D364,101	S *	11/1995	Bradley	D10/40
D366,358	S *	1/1996	Ravizza	D3/211
5,578,992	A *	11/1996	Harding	340/574
D424,452	S *	5/2000	Li	D10/40

6,114,953	A	9/2000	Martin	
D442,869	S *	5/2001	Leung	D10/5
6,286,973	B1 *	9/2001	Thrower	362/86
D501,054	S *	1/2005	Galli	D26/37
D513,642	S *	1/2006	Zhang	D26/49
7,046,123	B1	5/2006	Goldberg	
D523,576	S	6/2006	Chen et al.	
D525,536	S *	7/2006	Chan	D10/2
7,123,167	B2	10/2006	Staniszewski	
D577,139	S *	9/2008	Brown et al.	D26/38
D577,140	S *	9/2008	Brown et al.	D26/38
D579,594	S *	10/2008	Hesse et al.	D26/37

* cited by examiner

Primary Examiner—Lucy Lieberman

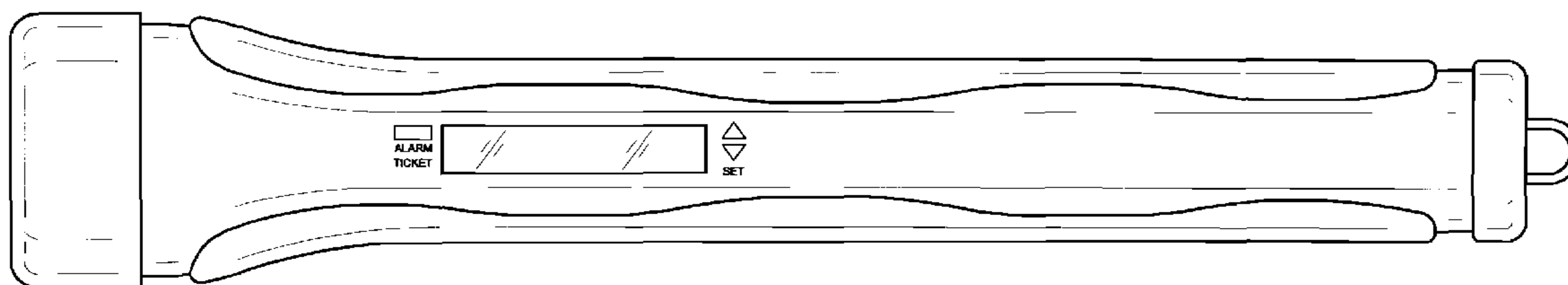
(57) **CLAIM**

The ornamental design for a parking timer reminding device, as shown and described.

DESCRIPTION

FIG. 1 is a front elevation view of a parking timer reminding device showing my new design;
FIG. 2 is a rear elevation view thereof;
FIG. 3 is a left side elevation thereof;
FIG. 4 is a right side elevation thereof;
FIG. 5 is a top plan view thereof, the bottom plan view is a mirror image thereto; and,
FIG. 6 is a perspective view thereof.

1 Claim, 3 Drawing Sheets



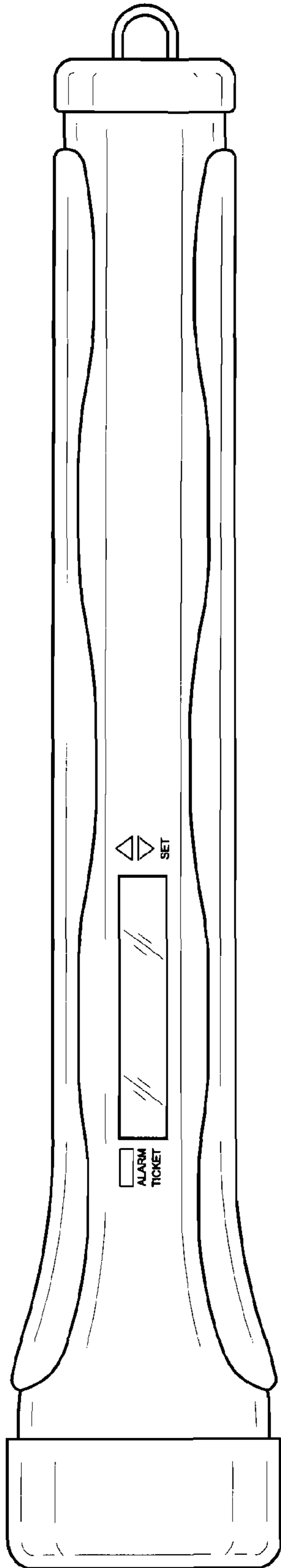


FIG. 1

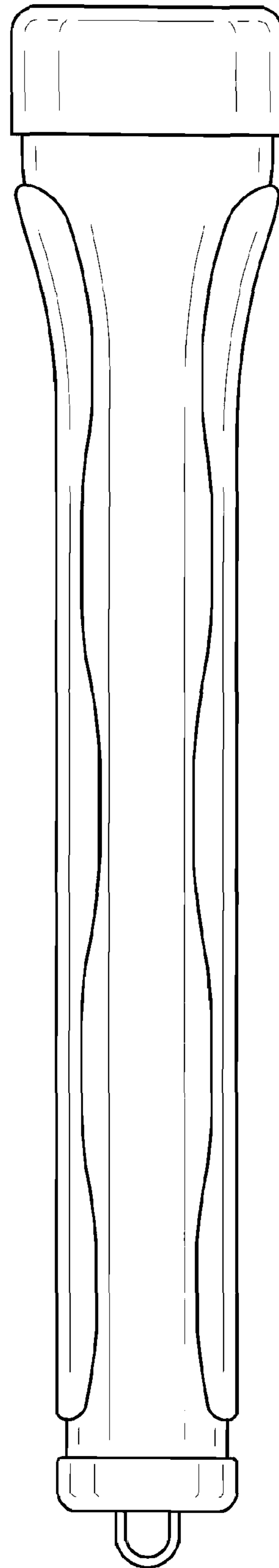


FIG. 2

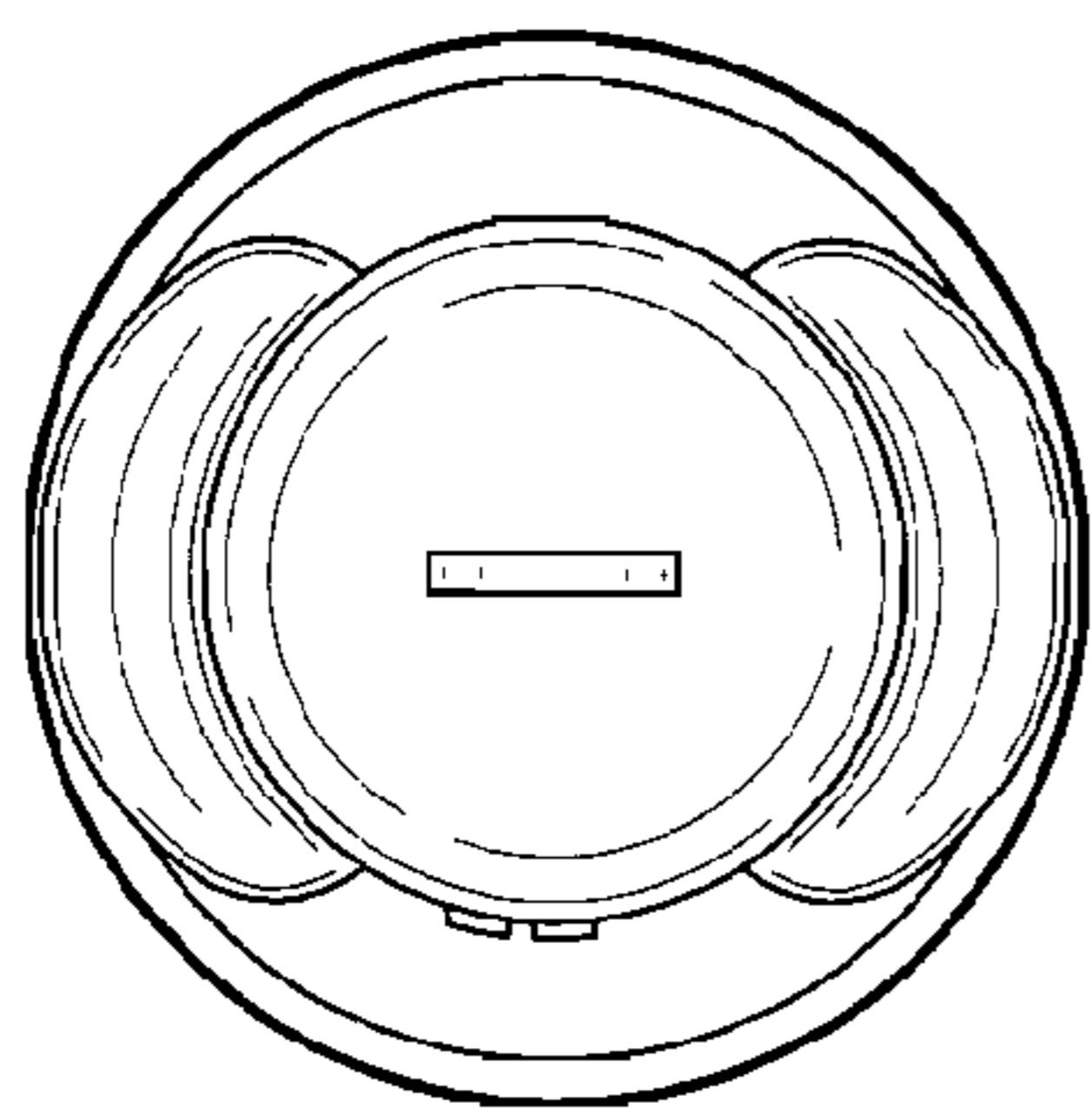


FIG. 3

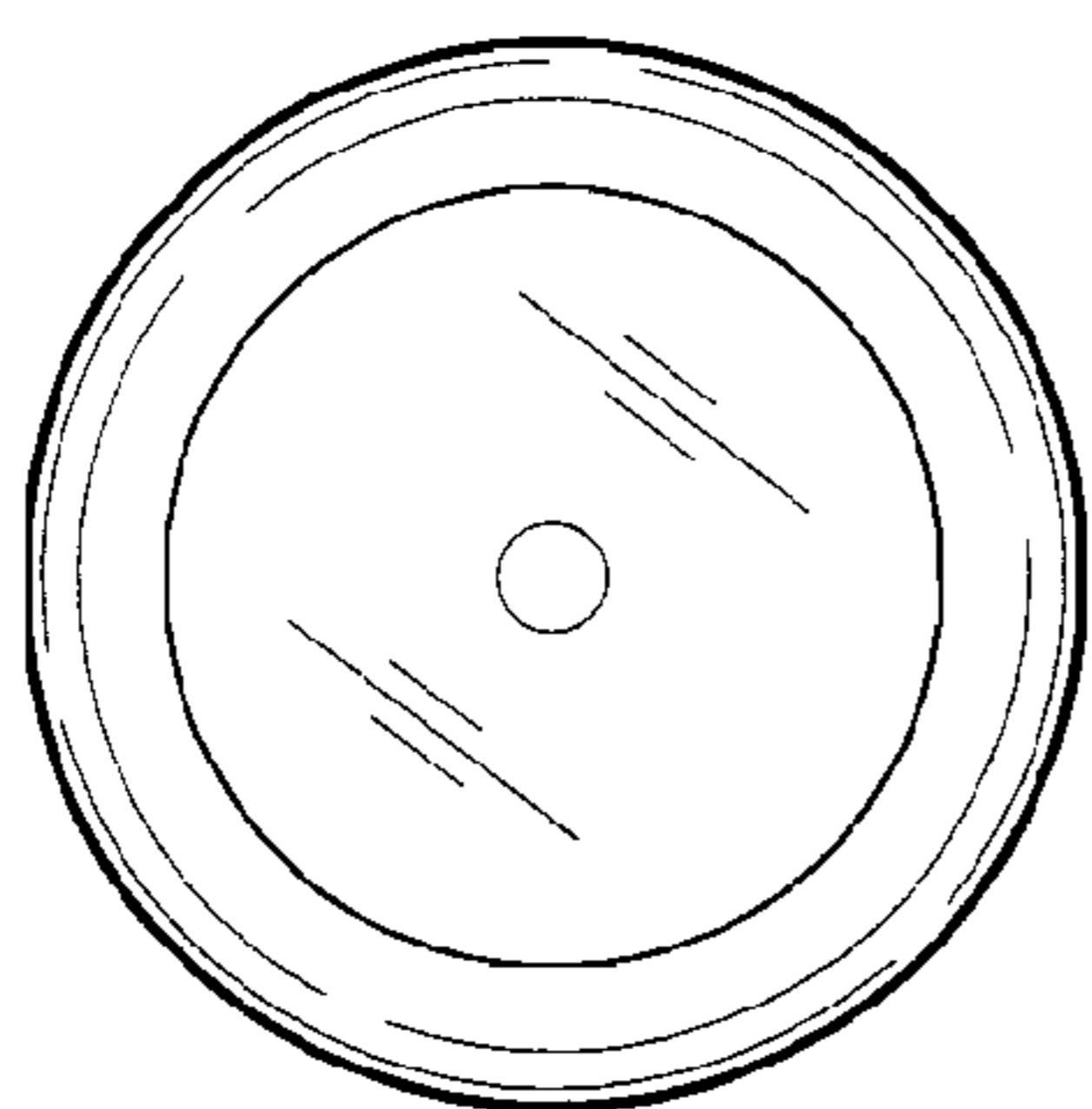


FIG. 4

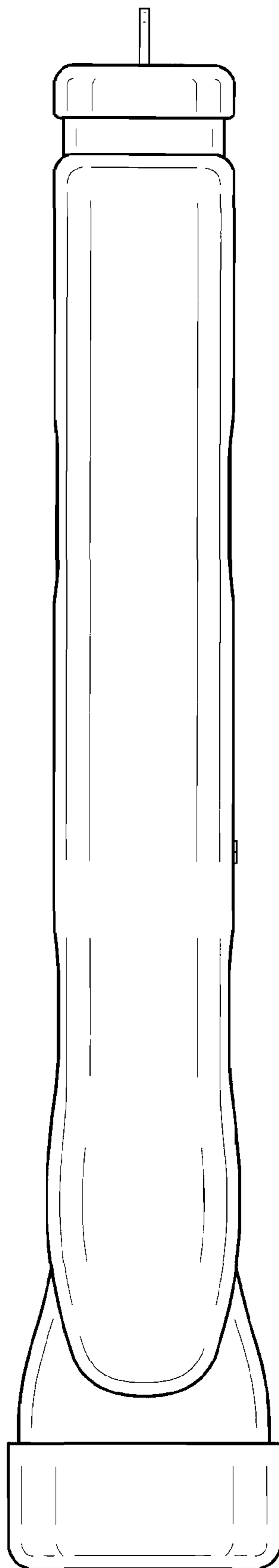


FIG. 5

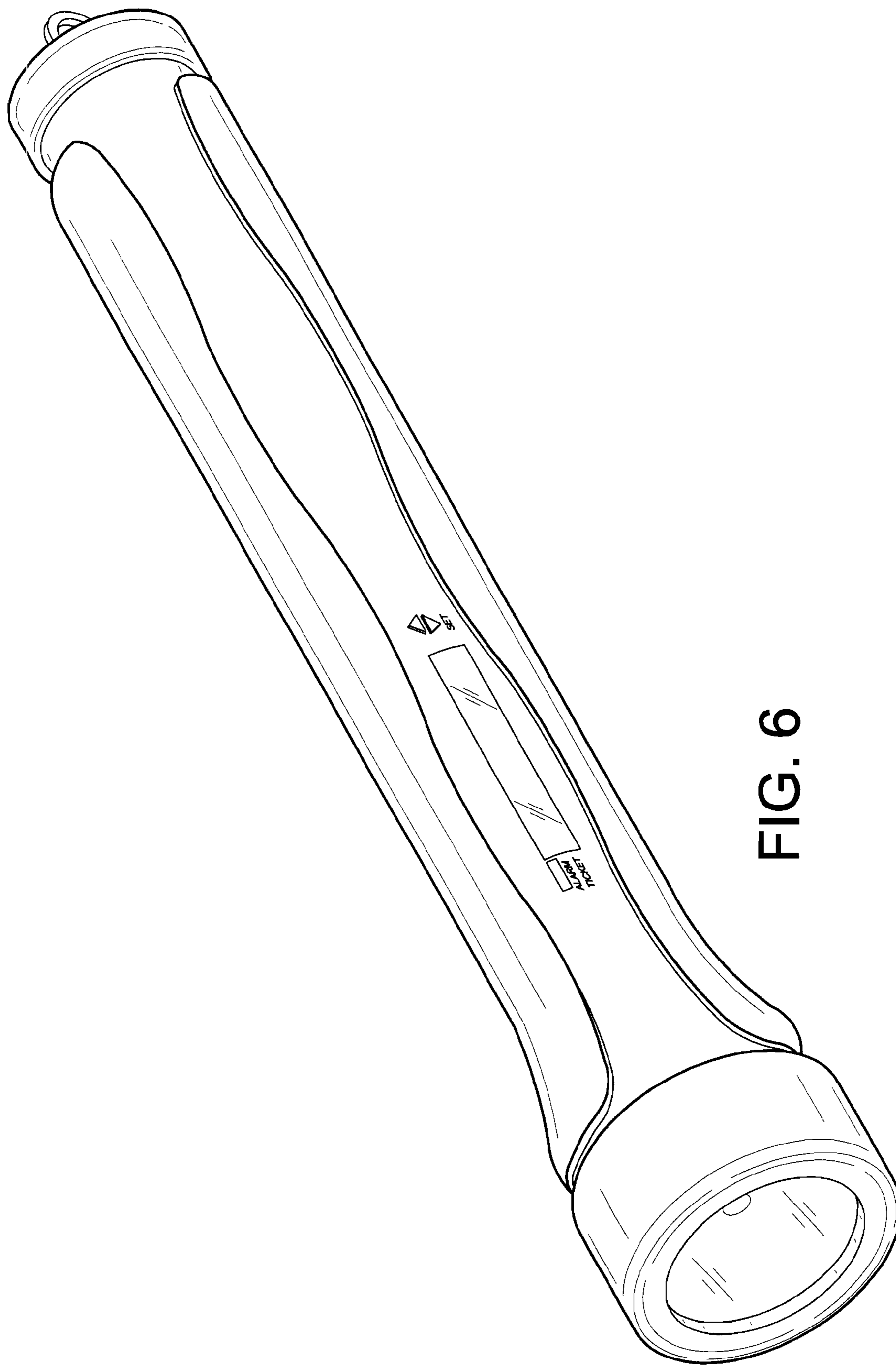


FIG. 6