

US00D595155S

(12) **United States Design Patent**  
**Larson**

(10) **Patent No.:** **US D595,155 S**  
(45) **Date of Patent:** **\*\* Jun. 30, 2009**

(54) **FOOD TRAY**

(76) **Inventor:** **Kevin E. Larson**, 1901 S. Calhoun Rd.,  
New Berlin, WI (US) 53151

(\*\*) **Term:** **14 Years**

(21) **Appl. No.:** **29/324,331**

(22) **Filed:** **Sep. 10, 2008**

**Related U.S. Application Data**

(62) Division of application No. 29/296,672, filed on Oct.  
25, 2007, now Pat. No. Des. 580,789.

(51) **LOC (9) Cl.** ..... **09-03**

(52) **U.S. Cl.** ..... **D9/761; D9/737; D9/425**

(58) **Field of Classification Search** ..... D9/737,  
D9/761, 756, 759, 760, 424, 425, 429, 432;  
D7/549, 584, 553.3, 357; D3/313; 229/407,  
229/406; 220/675, 23.83, 555; 206/527,  
206/551, 557, 562, 563, 564  
See application file for complete search history.

(56) **References Cited**

**U.S. PATENT DOCUMENTS**

D195,602 S	7/1963	Bostrom	
D198,545 S	6/1964	Bostrom	
3,401,863 A *	9/1968	Earl	229/406
D218,514 S	8/1970	Fossella et al.	
D222,668 S	11/1971	Gregor	
D224,288 S	7/1972	Bloch	
D224,587 S	8/1972	Jewell	
D227,860 S	7/1973	Schuman	
D241,622 S *	9/1976	Smith	D9/760
D280,060 S	8/1985	Holzkopf	
D293,767 S	1/1988	Powers	
D301,192 S	5/1989	DeCoster	
D305,409 S	1/1990	Michaud et al.	
D318,207 S	7/1991	Anderson	
D339,743 S	9/1993	Zellner et al.	
D361,508 S	8/1995	Schnack	

D374,819 S	10/1996	Wells	
D383,943 S	9/1997	Boley	
D386,075 S	11/1997	Hayes et al.	
D387,272 S	12/1997	Lippincott	
5,695,798 A *	12/1997	Rozzano	426/115
D388,699 S	1/1998	Hayes et al.	
D392,881 S	3/1998	Bulcher et al.	
D414,409 S	9/1999	Sanfilippo et al.	
D417,785 S *	12/1999	Daniels	D3/313
D420,855 S	2/2000	Hurley	
D466,758 S *	12/2002	Bradley	D7/357
D474,687 S	5/2003	Jones et al.	
D484,364 S	12/2003	Bailey et al.	
D485,755 S	1/2004	Isler et al.	
D492,195 S	6/2004	Shabaz	
D504,325 S	4/2005	Vovan	
D510,804 S	10/2005	Horman	
D515,880 S	2/2006	Lerner	
D535,195 S	1/2007	Schwab	
D553,490 S	10/2007	Yang	
D554,988 S	11/2007	Sim	

\* cited by examiner

*Primary Examiner*—Stella M Reid  
*Assistant Examiner*—Mark A Goodwin  
(74) *Attorney, Agent, or Firm*—Boyle Fedrickson, S.C.

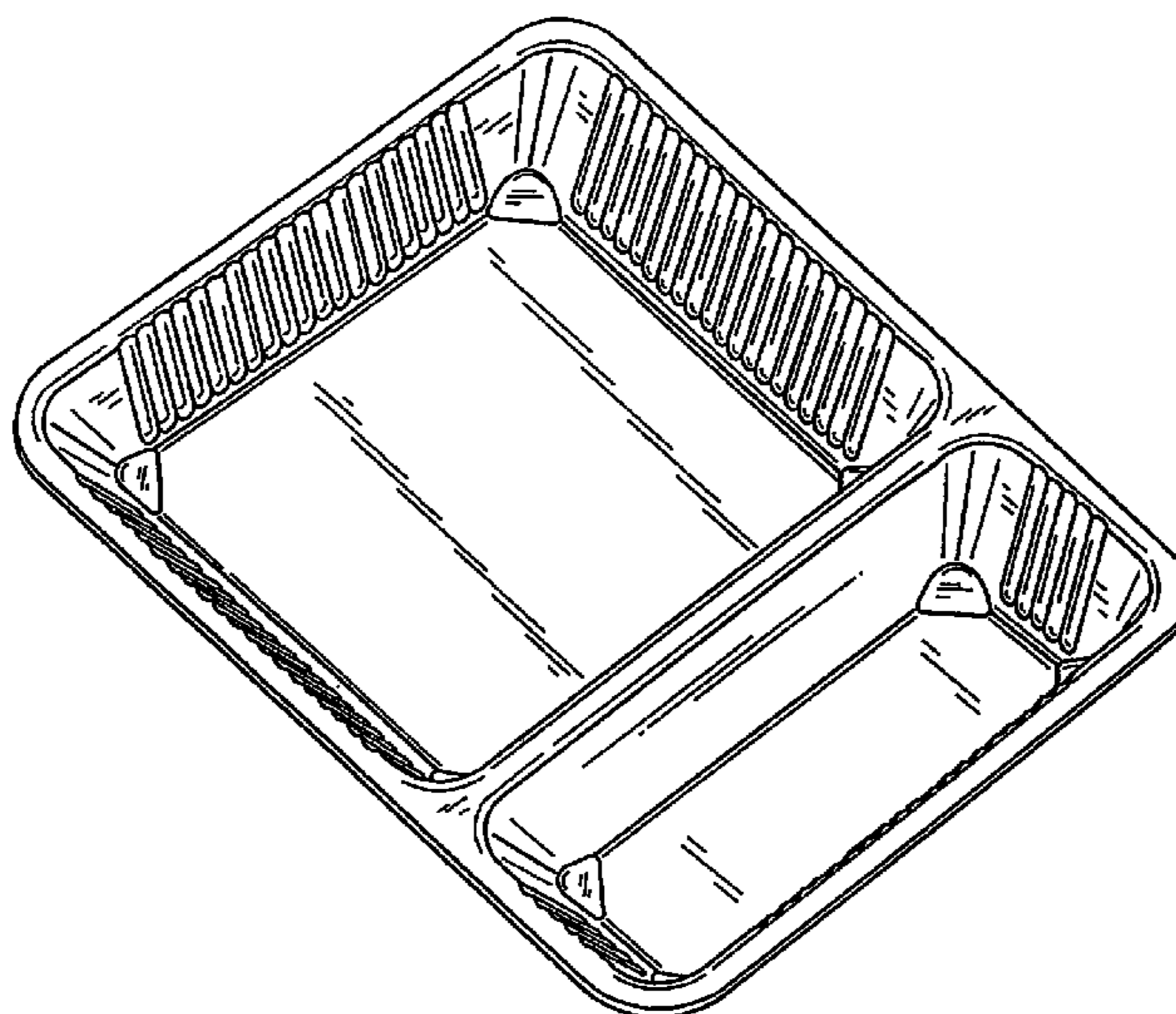
(57) **CLAIM**

The ornamental design of a food tray, as shown and described.

**DESCRIPTION**

FIG. 1 is an isometric view of a food tray incorporating my new design;  
FIG. 2 is a top plan view thereof;  
FIG. 3 is a first side elevation view thereof, the opposite side elevation view being a mirror image;  
FIG. 4 is a first end elevation view thereof, the opposite end elevation view being a mirror image; and,  
FIG. 5 is a bottom plan view thereof.

**1 Claim, 2 Drawing Sheets**



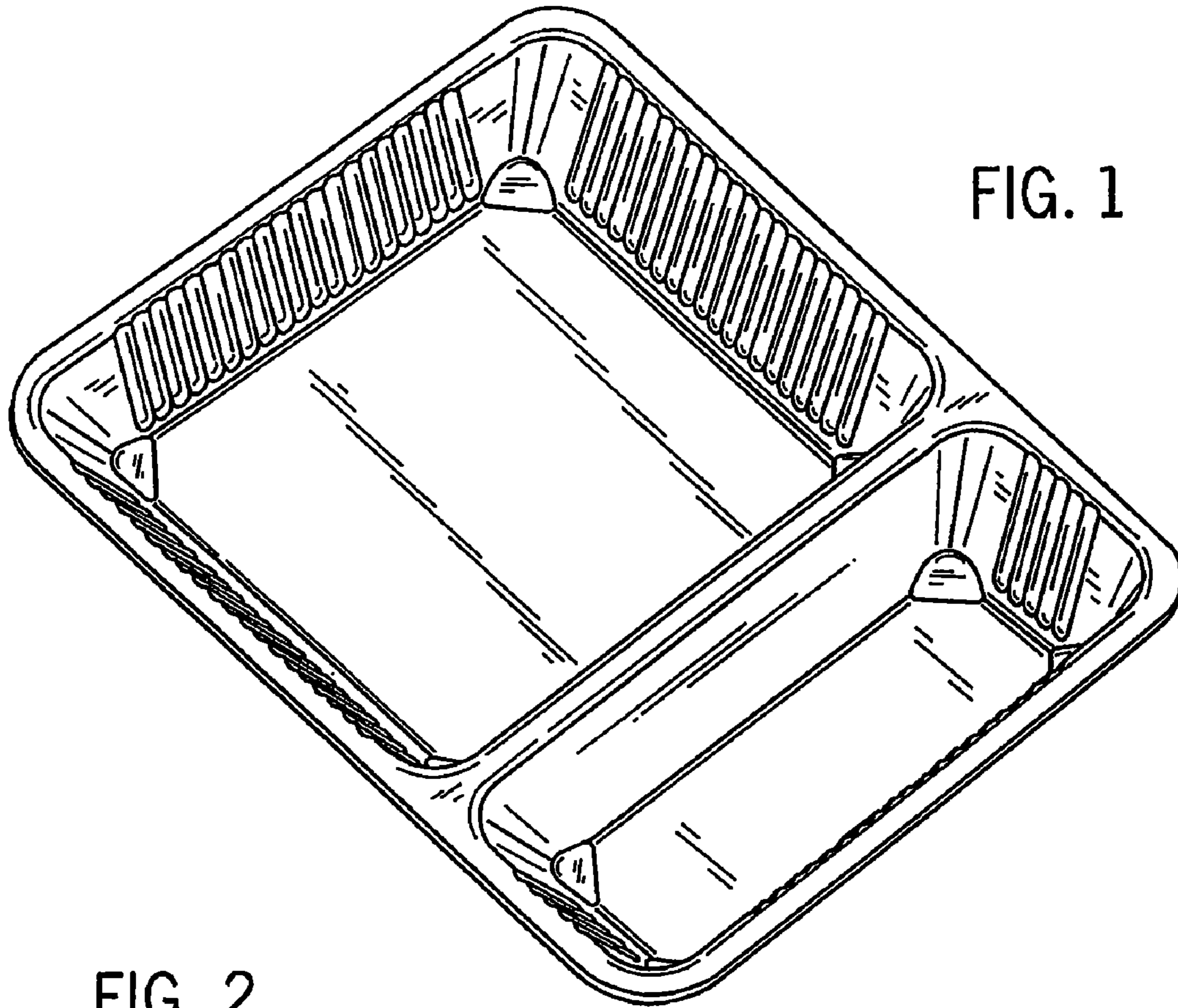
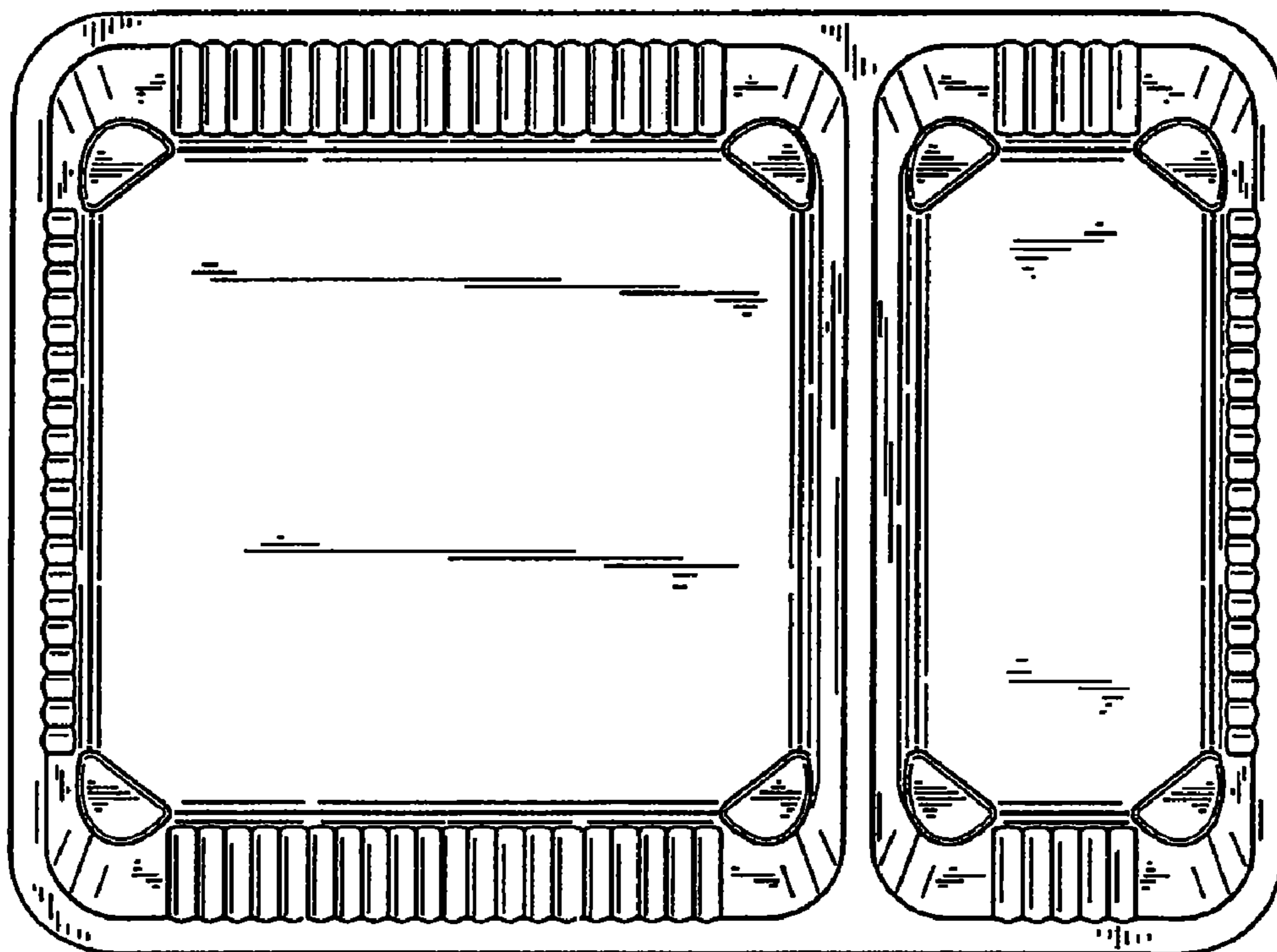


FIG. 1

FIG. 2



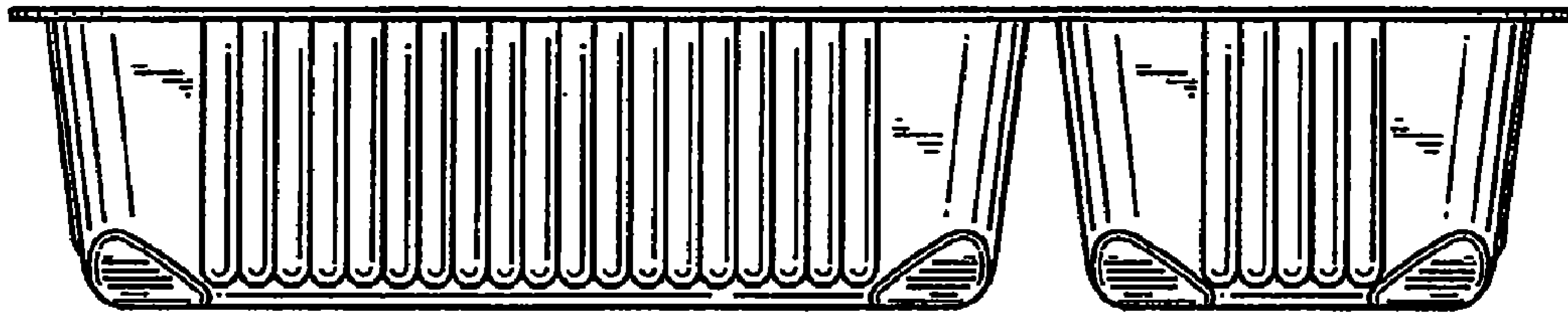


FIG. 3

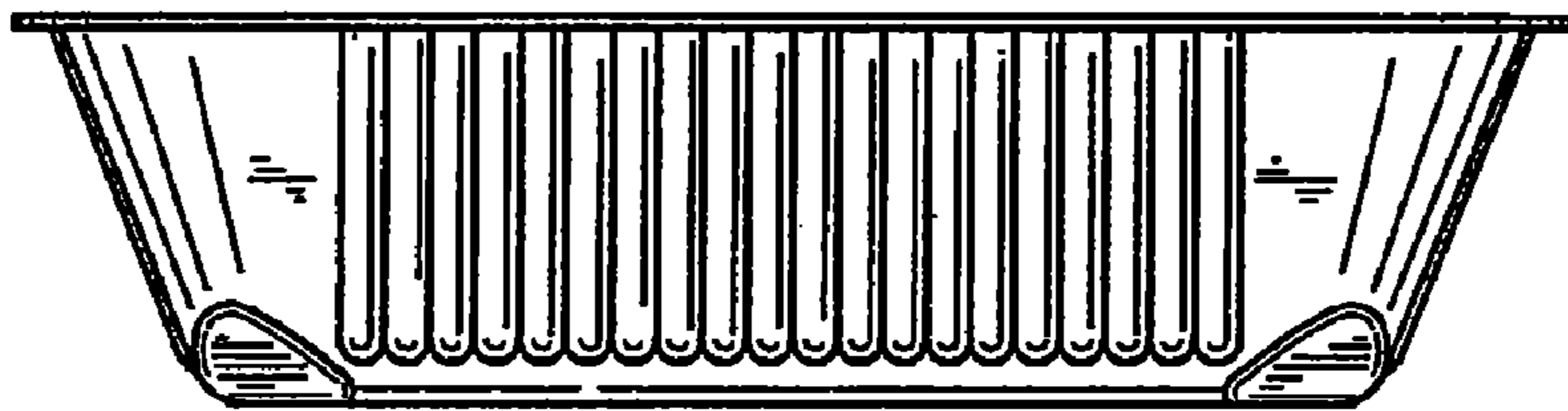


FIG. 4

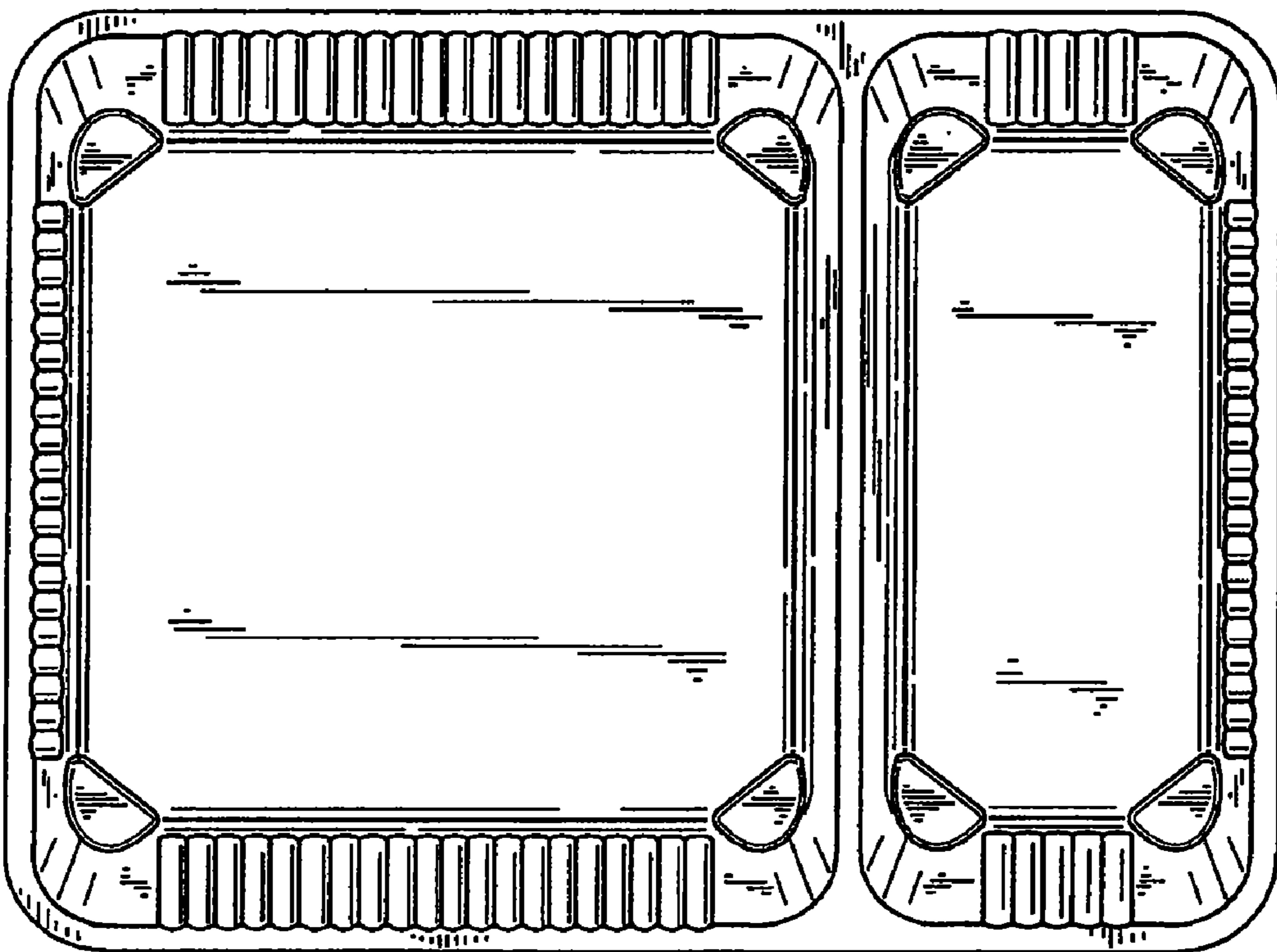


FIG. 5