



US00D595154S

(12) **United States Design Patent**
Nicholson et al.

(10) **Patent No.:** **US D595,154 S**
(45) **Date of Patent:** **** Jun. 30, 2009**

(54) **PACKAGING CUP**

(75) Inventors: **David Nicholson**, Sheboygan Falls, WI (US); **Guy Taylor**, Chicago, IL (US)

(73) Assignee: **Johnsonville Sausage, LLC**, Sheboygan Falls, WI (US)

(**) Term: **14 Years**

(21) Appl. No.: **29/324,257**

(22) Filed: **Sep. 9, 2008**

(51) **LOC (9) Cl.** **09-03**

(52) **U.S. Cl.** **D9/737; D9/425**

(58) **Field of Classification Search** D9/357, D9/425-429, 513, 546, 717, 737, 757, 761; D7/541-543, 546, 549, 552.1, 553.3, 553.6, D7/555, 602, 629; D30/130; D32/53.1; 220/23.8, 359.4, 529, 555-556, 575; 206/514
See application file for complete search history.

(56) **References Cited**

U.S. PATENT DOCUMENTS

| | | | | |
|---------------|---------|-------------------|-------|----------|
| D9,661 S * | 12/1876 | Heuacker | | D7/555 |
| D297,116 S | 8/1988 | Fontana et al. | | |
| D297,117 S * | 8/1988 | Fontana et al. | | D9/737 |
| D297,118 S | 8/1988 | Fontana et al. | | |
| D351,997 S * | 11/1994 | Finnah | | D9/737 |
| 5,405,030 A | 4/1995 | Frazier | | |
| D393,798 S | 4/1998 | Joswick | | |
| 5,853,105 A * | 12/1998 | Roman et al. | | 220/575 |
| D416,443 S | 11/1999 | Kilpatrick et al. | | |
| D434,276 S * | 11/2000 | Obra | | D7/555 |
| D442,484 S * | 5/2001 | Maxwell et al. | | D9/761 |
| D448,130 S * | 9/2001 | Wagner | | D32/53.1 |

| | | | | |
|-----------------|---------|-----------------|-------|--------|
| D456,707 S * | 5/2002 | Agarwal | | D9/717 |
| D505,335 S * | 5/2005 | Grenda | | D9/737 |
| D514,384 S * | 2/2006 | Mitchell et al. | | D7/410 |
| D529,820 S * | 10/2006 | Kissner et al. | | D9/737 |
| D529,821 S * | 10/2006 | Wilcox et al. | | D9/761 |
| D534,768 S | 1/2007 | Mansfield | | |
| 7,243,991 B2 | 7/2007 | Ojeda | | |
| D569,193 S * | 5/2008 | El Ghouyel | | D7/602 |
| 2007/0278122 A1 | 12/2007 | McCumber et al. | | |
| 2008/0061065 A1 | 3/2008 | Arsonson et al. | | |

* cited by examiner

Primary Examiner—Robert M Spear

Assistant Examiner—Susan E Krakower

(74) *Attorney, Agent, or Firm*—Quarles & Brady LLP

(57) **CLAIM**

The ornamental design for a packaging cup, as shown and described.

DESCRIPTION

FIG. 1 is a top, side perspective view of a packaging cup showing our new design;

FIG. 2 is a front elevation view of the packaging cup of FIG. 1;

FIG. 3 is a top view of the packaging cup of FIG. 1

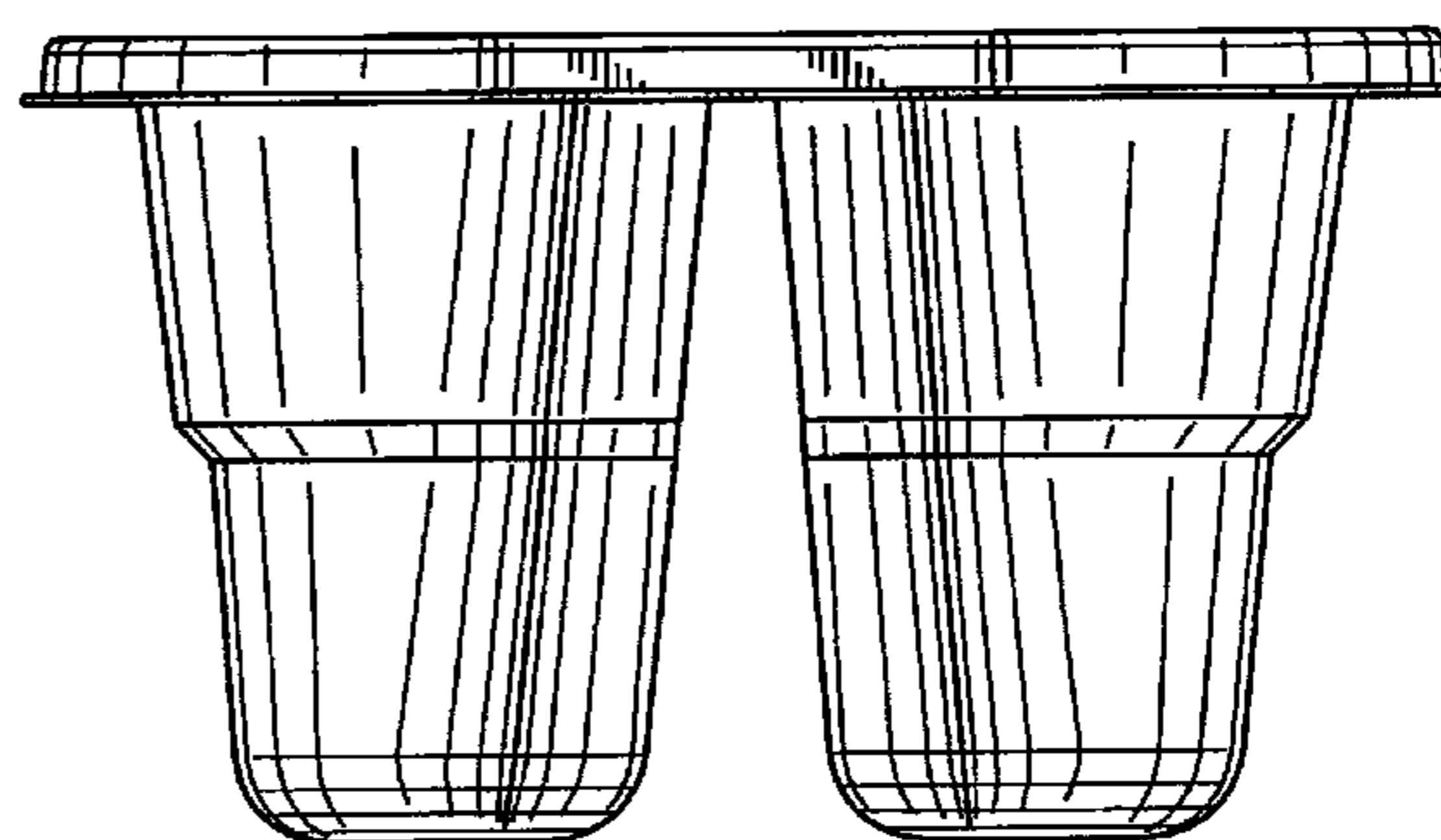
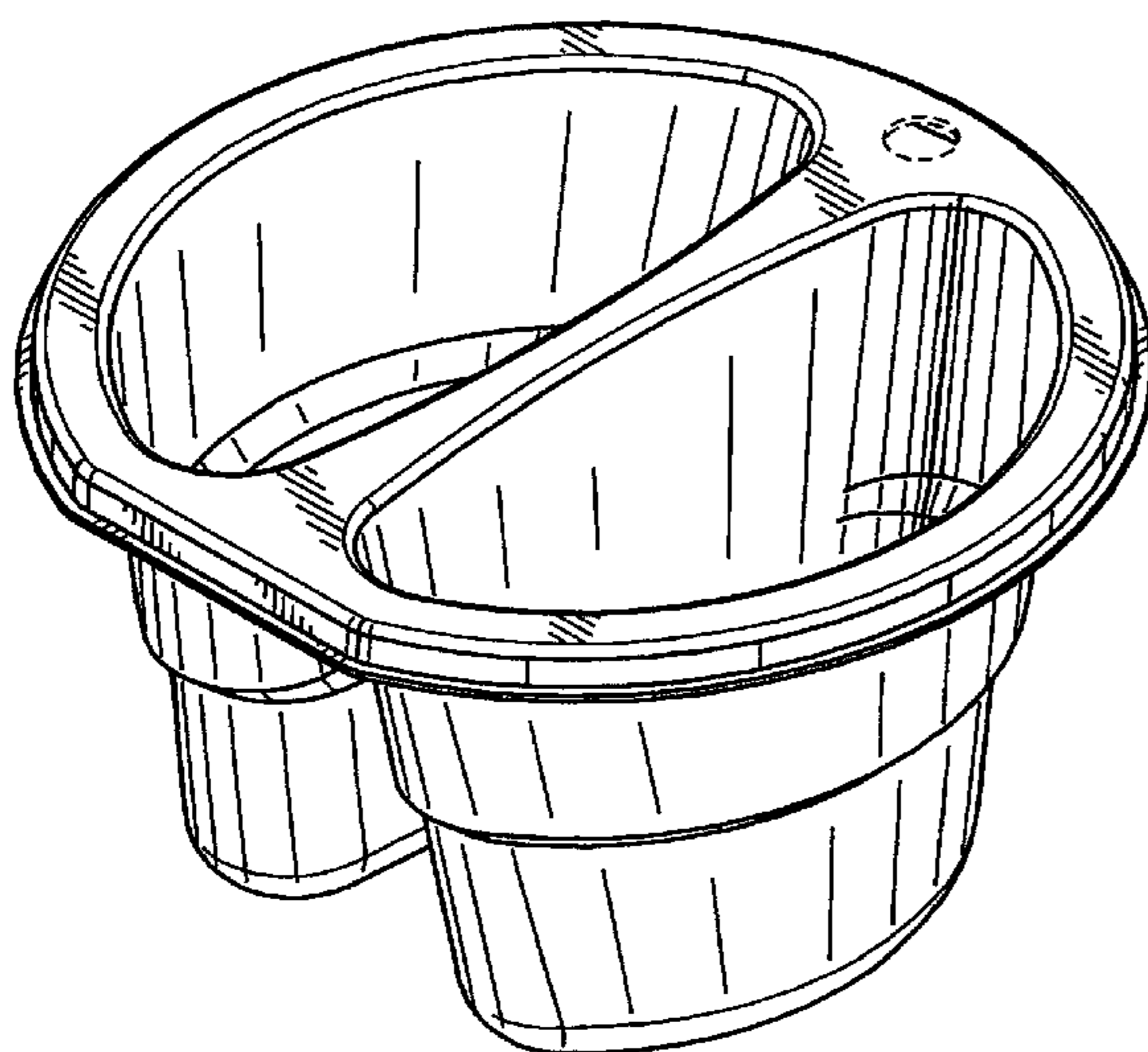
FIG. 4 is a side elevation view of the packaging cup of FIG. 1;

FIG. 5 is a rear elevation view of the packaging cup of FIG. 1; and,

FIG. 6 is a bottom view of the packaging cup of FIG. 1.

The broken line representations of items in FIGS. 1-6 are for purposes of illustration only, and form no part of the claimed design.

1 Claim, 3 Drawing Sheets



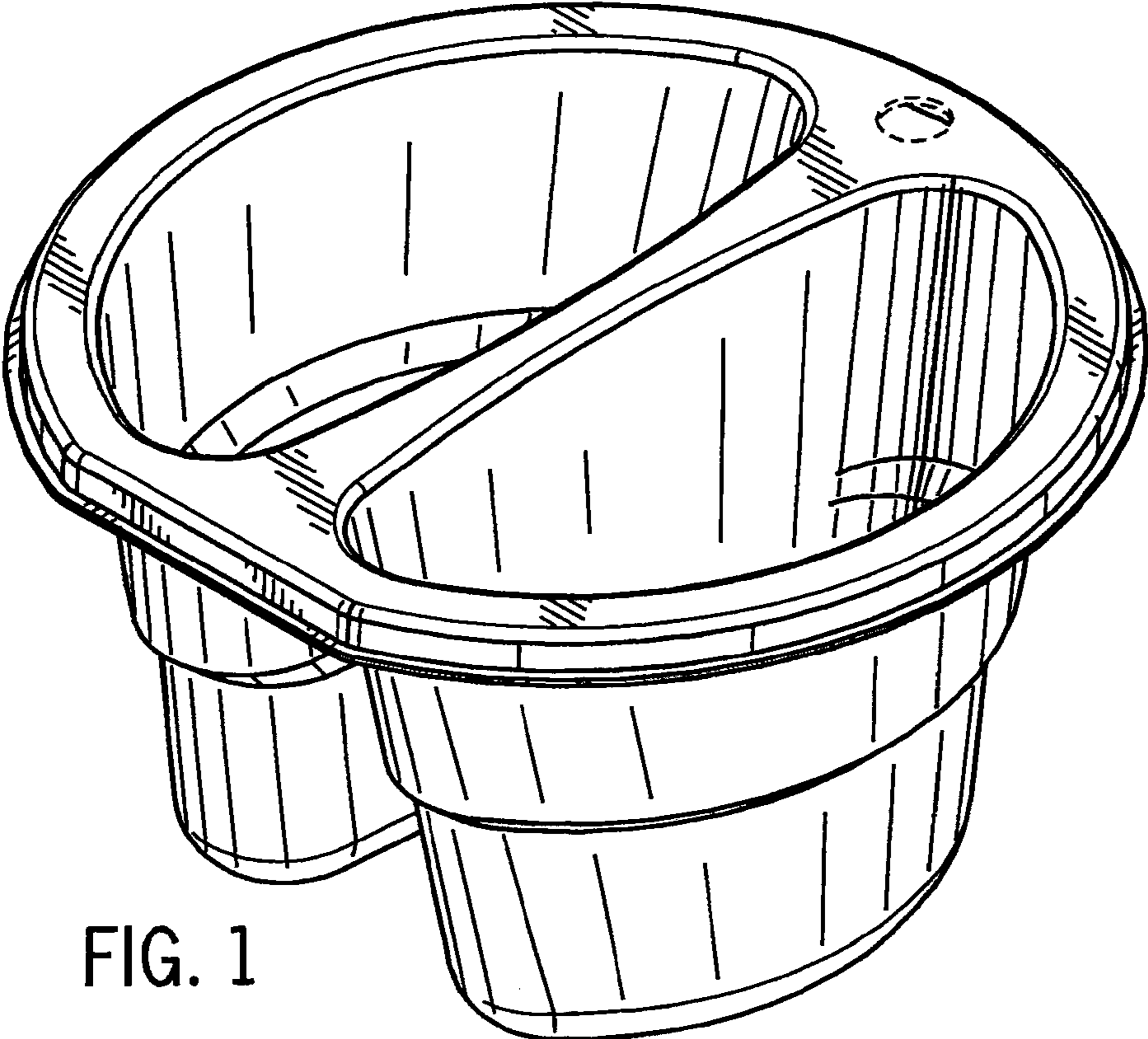


FIG. 1

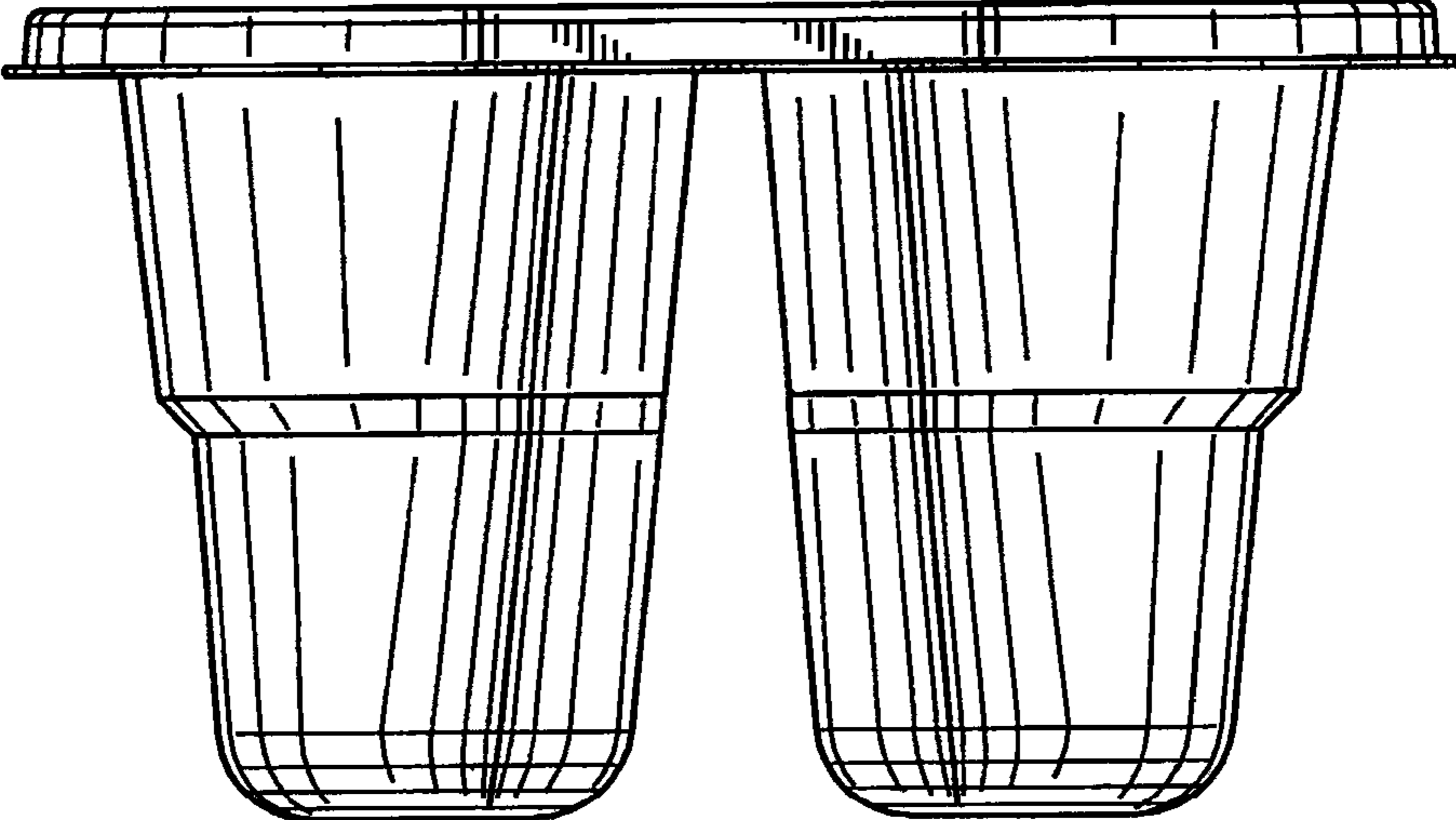


FIG. 2

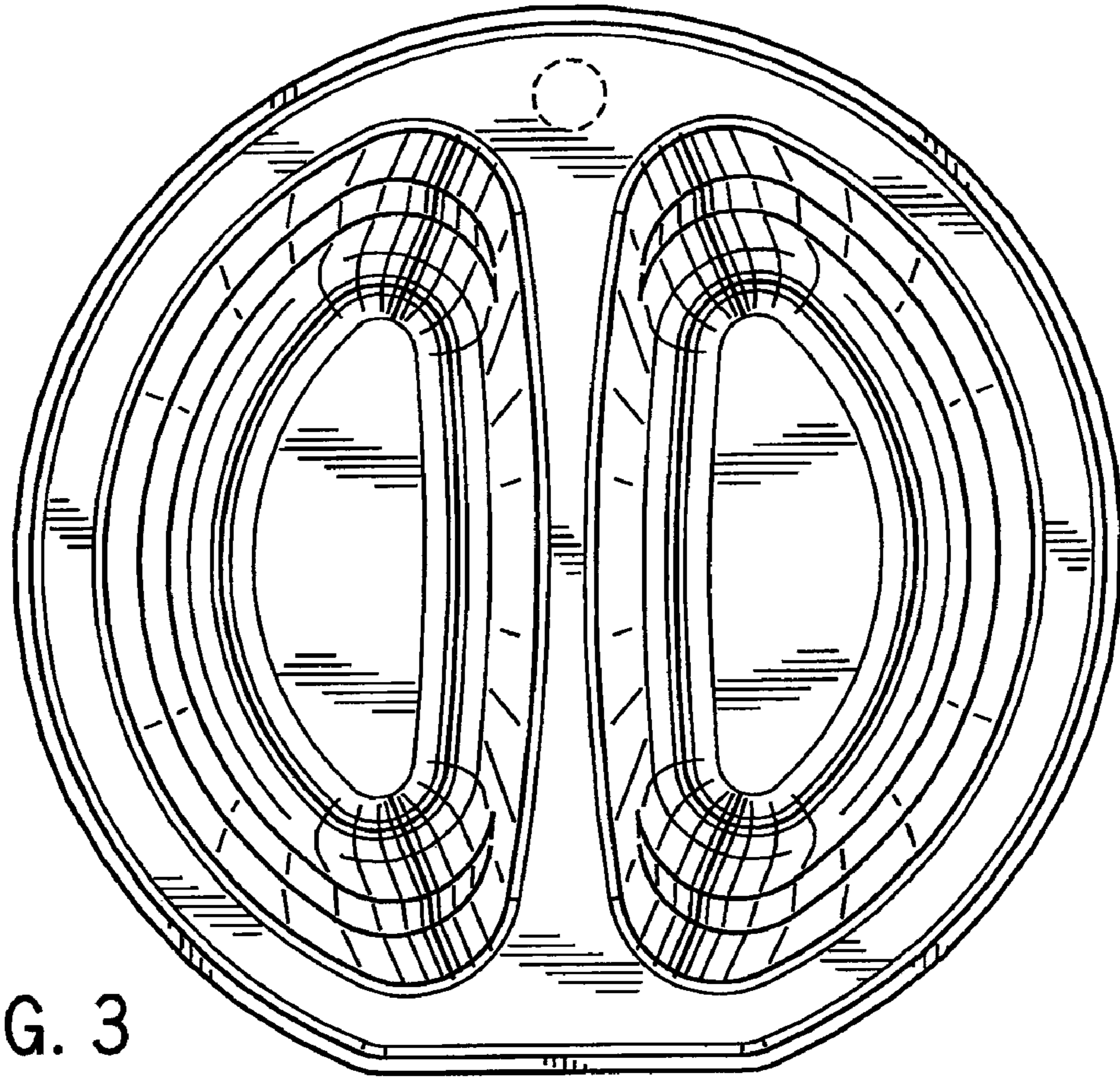


FIG. 3

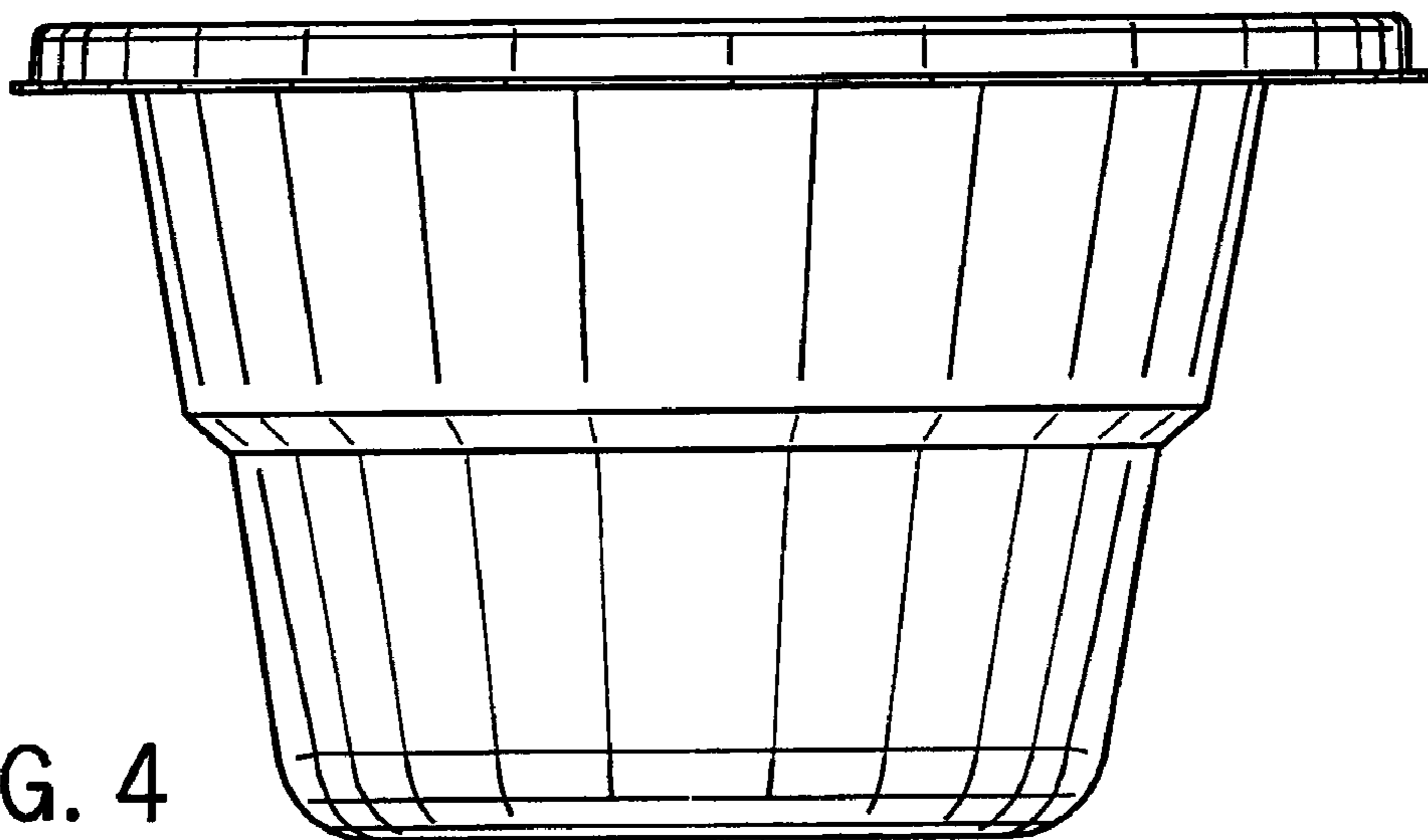


FIG. 4

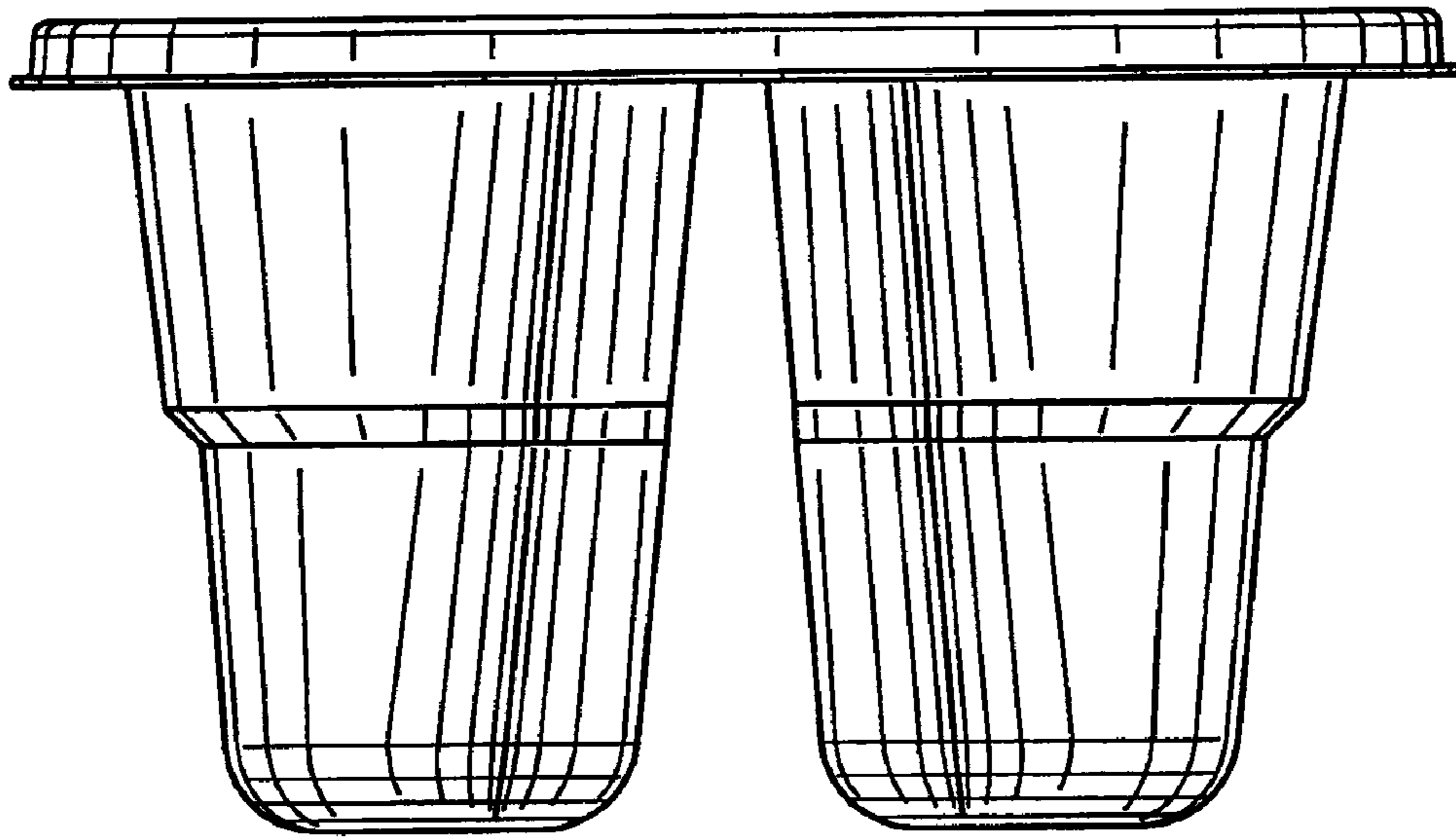


FIG. 5

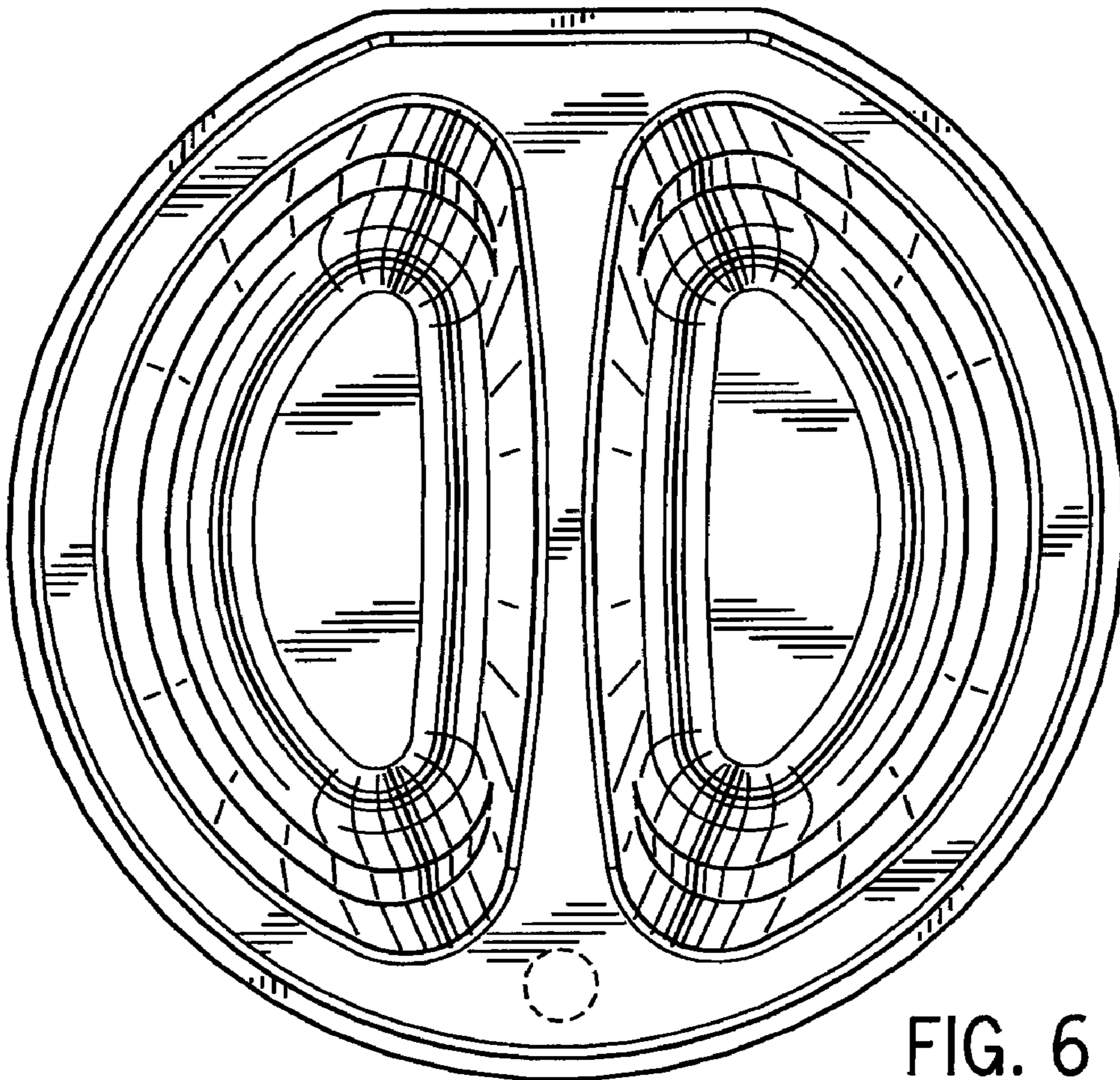


FIG. 6