



US00D595153S

(12) **United States Design Patent**  
**van Deursen**

(10) **Patent No.:** **US D595,153 S**  
(45) **Date of Patent:** **\*\* Jun. 30, 2009**

(54) **BLADE DISPENSER**

(75) Inventor: **Gary E. van Deursen**, Essex, CT (US)

(73) Assignee: **American Safety Razor**, Verona, VA (US)

(\*\*) Term: **14 Years**

(21) Appl. No.: **29/290,909**

(22) Filed: **Jan. 29, 2008**

(51) **LOC (9) Cl.** ..... **09-01**

(52) **U.S. Cl.** ..... **D9/735**

(58) **Field of Classification Search** ..... D9/414,  
D9/417, 420, 424, 426-430, 432, 730, 735-737,  
D9/478; D3/201, 203.1; 206/556, 800; 221/198,  
221/279, 281

See application file for complete search history.

(56) **References Cited**

**U.S. PATENT DOCUMENTS**

1,654,554 A	1/1928	Pasch
2,094,722 A	10/1937	Sandford
2,272,444 A	2/1942	Testi
2,321,570 A	6/1943	Billing
2,439,243 A	4/1948	Dalkowitz
D156,909 S	1/1950	Nelson
2,564,712 A	8/1951	Muros et al.
2,624,453 A	1/1953	Muros
2,641,358 A	6/1953	Santo
2,653,704 A	9/1953	Nelson
2,684,151 A	7/1954	Arrighi
2,685,364 A	8/1954	Treiss
D179,225 S	11/1956	Smith
2,792,933 A	5/1957	Butlin
D187,562 S	3/1960	Zierhut
3,070,260 A	12/1962	Smith
3,080,998 A	3/1963	La Cas
3,093,266 A	6/1963	Kuhnl
3,667,122 A	6/1972	Black
D260,054 S	8/1981	Morgan

D260,489 S	9/1981	Pritchard	
D299,288 S	1/1989	Stafford	
D307,670 S	5/1990	Nava	
D315,868 S *	4/1991	Gelardi et al.	D9/756
D324,299 S *	3/1992	Bowman	D9/736
5,139,167 A	8/1992	McCarthy	
5,148,916 A	9/1992	Tillyer, Sr.	
D353,764 S *	12/1994	Ho	D9/736
D358,761 S *	5/1995	Ho	D9/736
D392,157 S	3/1998	Shibuya	
D397,290 S *	8/1998	Petricca et al.	D9/736
D398,522 S *	9/1998	Petricca et al.	D9/736
D555,512 S	11/2007	Lam	
2004/0200080 A1	10/2004	Lauri	

**FOREIGN PATENT DOCUMENTS**

FR 2 460 643 1/1981

\* cited by examiner

*Primary Examiner*—Stella M. Reid

*Assistant Examiner*—Shanda C Hill

(74) *Attorney, Agent, or Firm*—McDermott Will & Emery LLP

(57) **CLAIM**

The ornamental design for a blade dispenser, as shown and described.

**DESCRIPTION**

FIG. 1 is a front perspective view of the blade dispenser, showing the new design;

FIG. 2 is a front view of the blade dispenser;

FIG. 3 is a rear view of the blade dispenser;

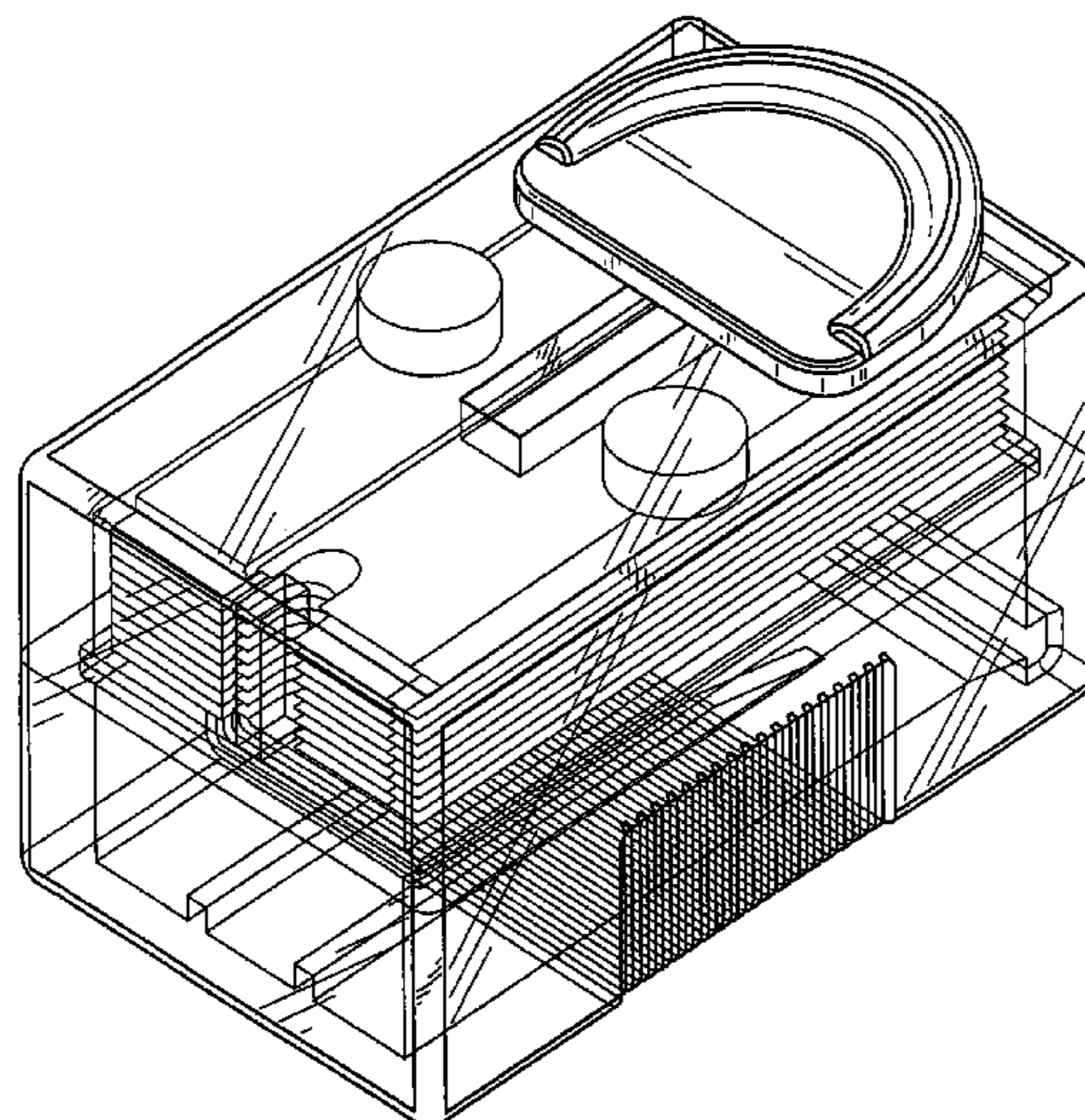
FIG. 4 is a side view of the blade dispenser;

FIG. 5 is another side view of the blade dispenser;

FIG. 6 is a top view of the blade dispenser; and,

FIG. 7 is a bottom view of the blade dispenser.

**1 Claim, 7 Drawing Sheets**



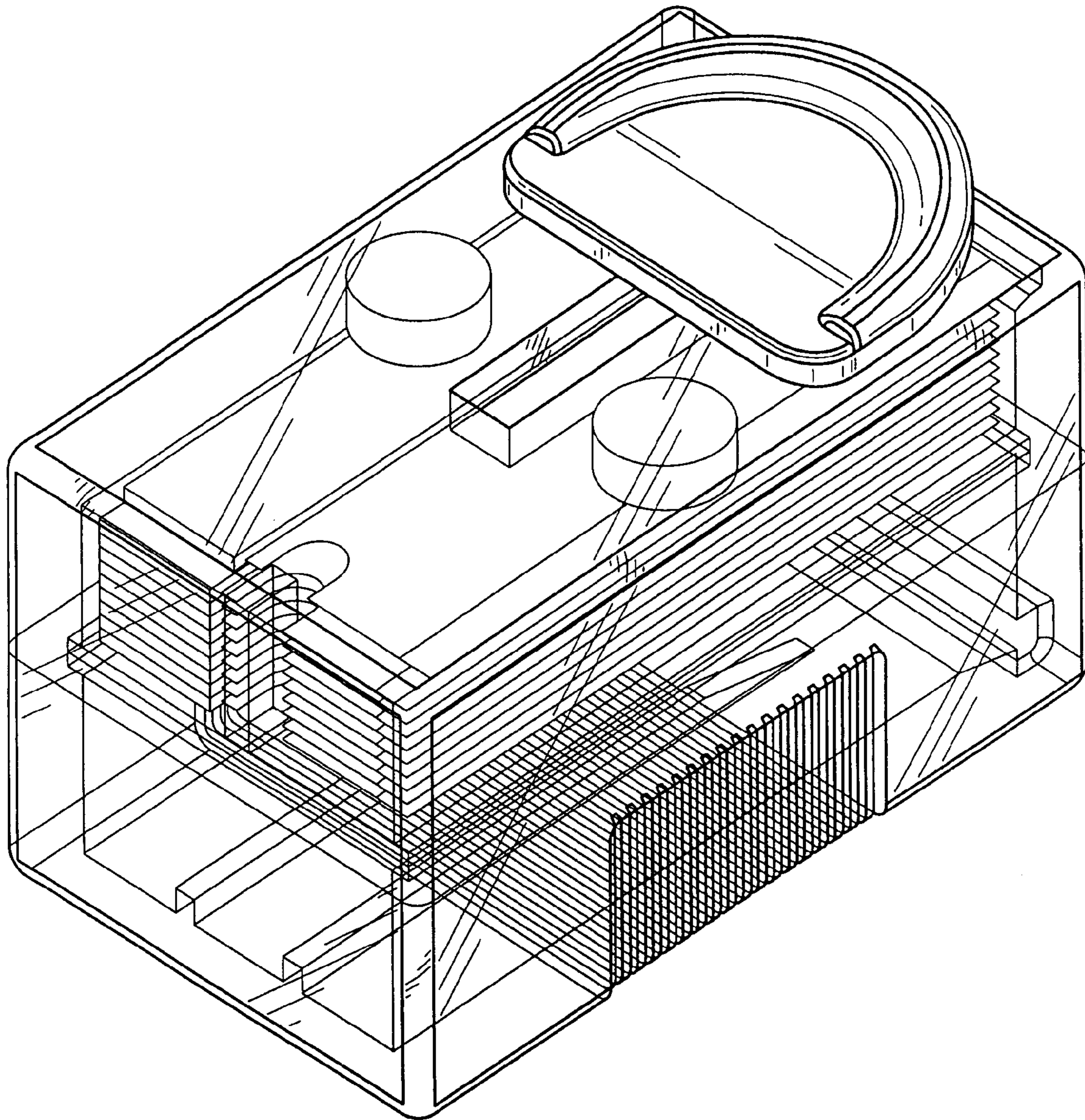


FIG. 1

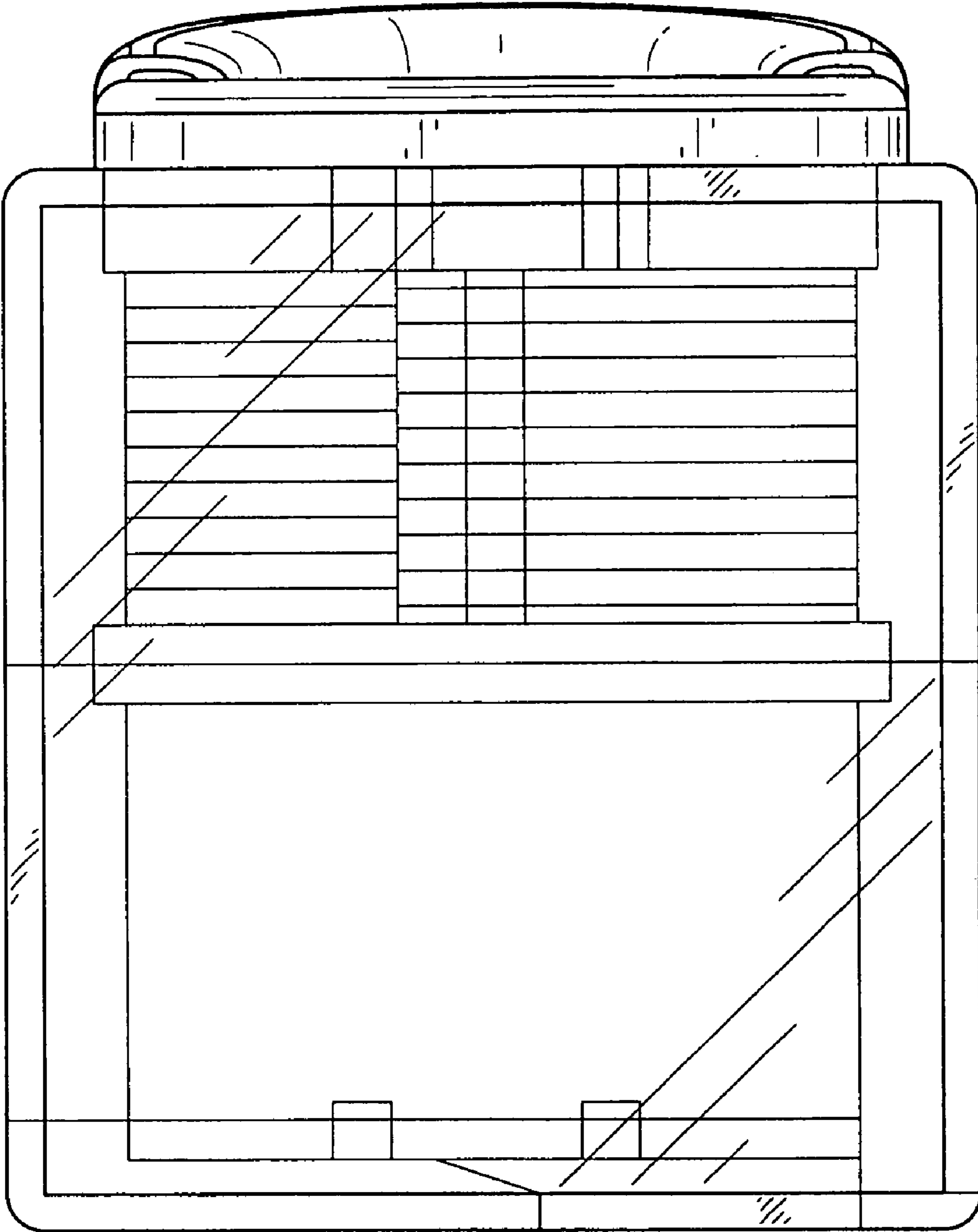


FIG. 2

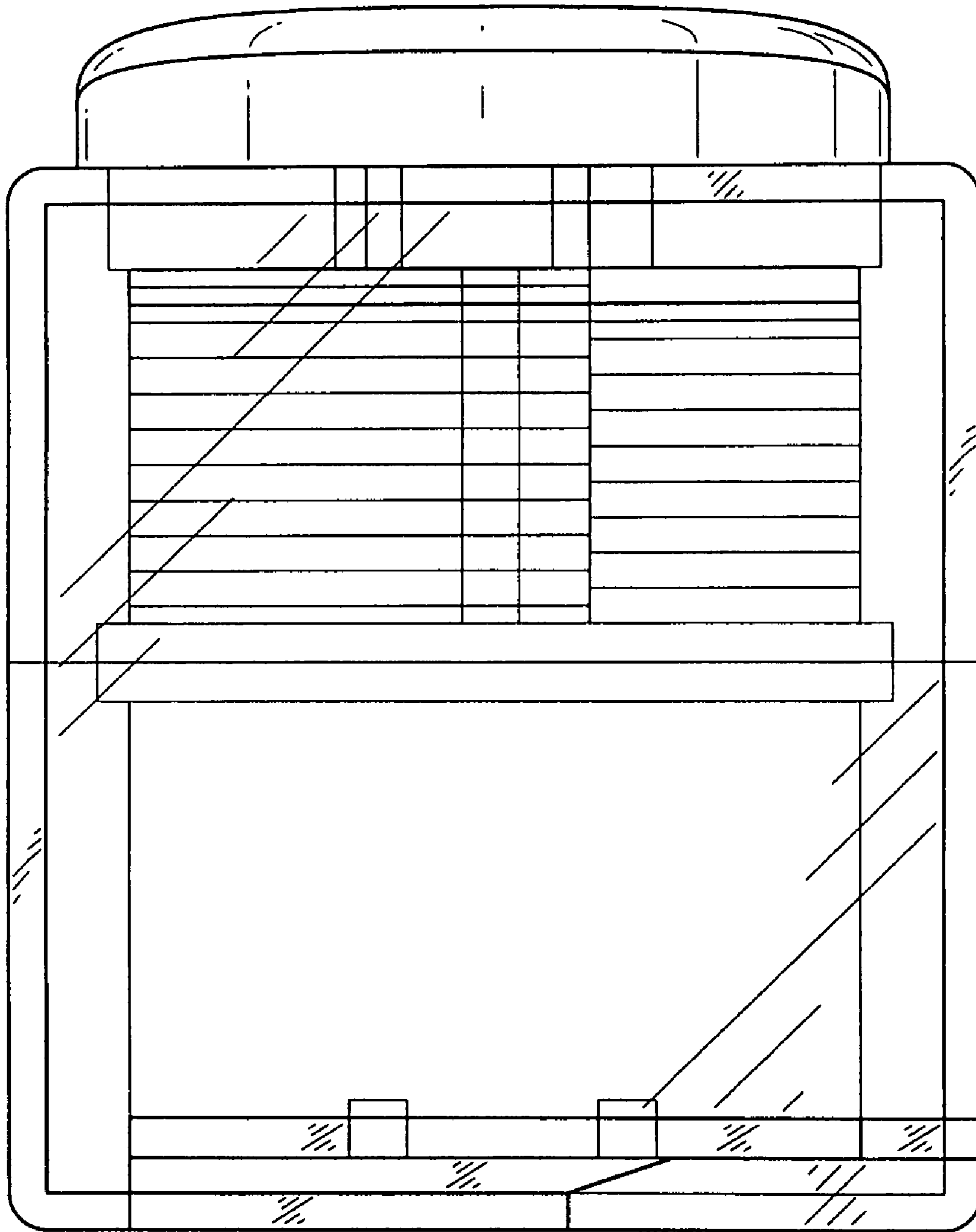


FIG. 3

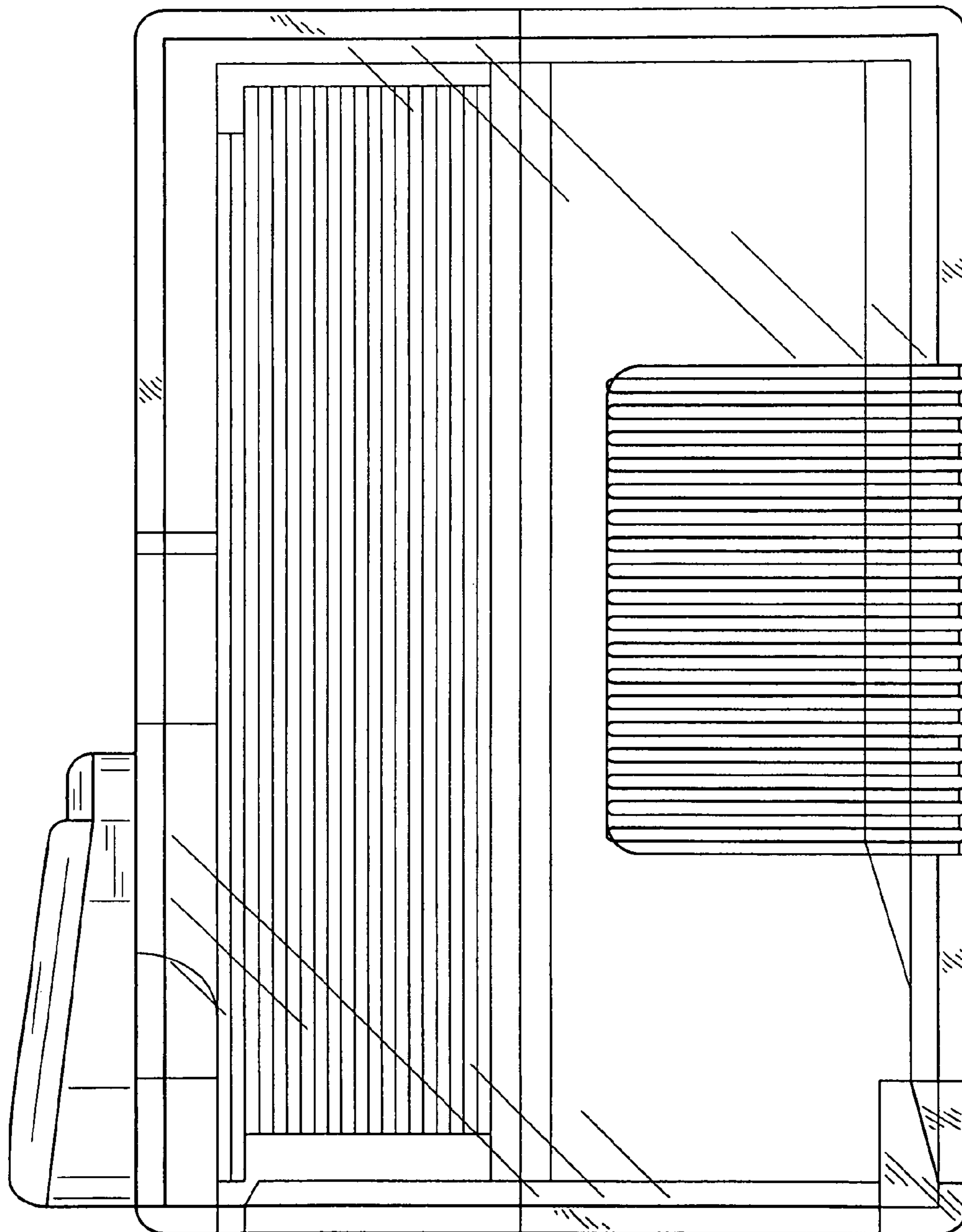


FIG. 4

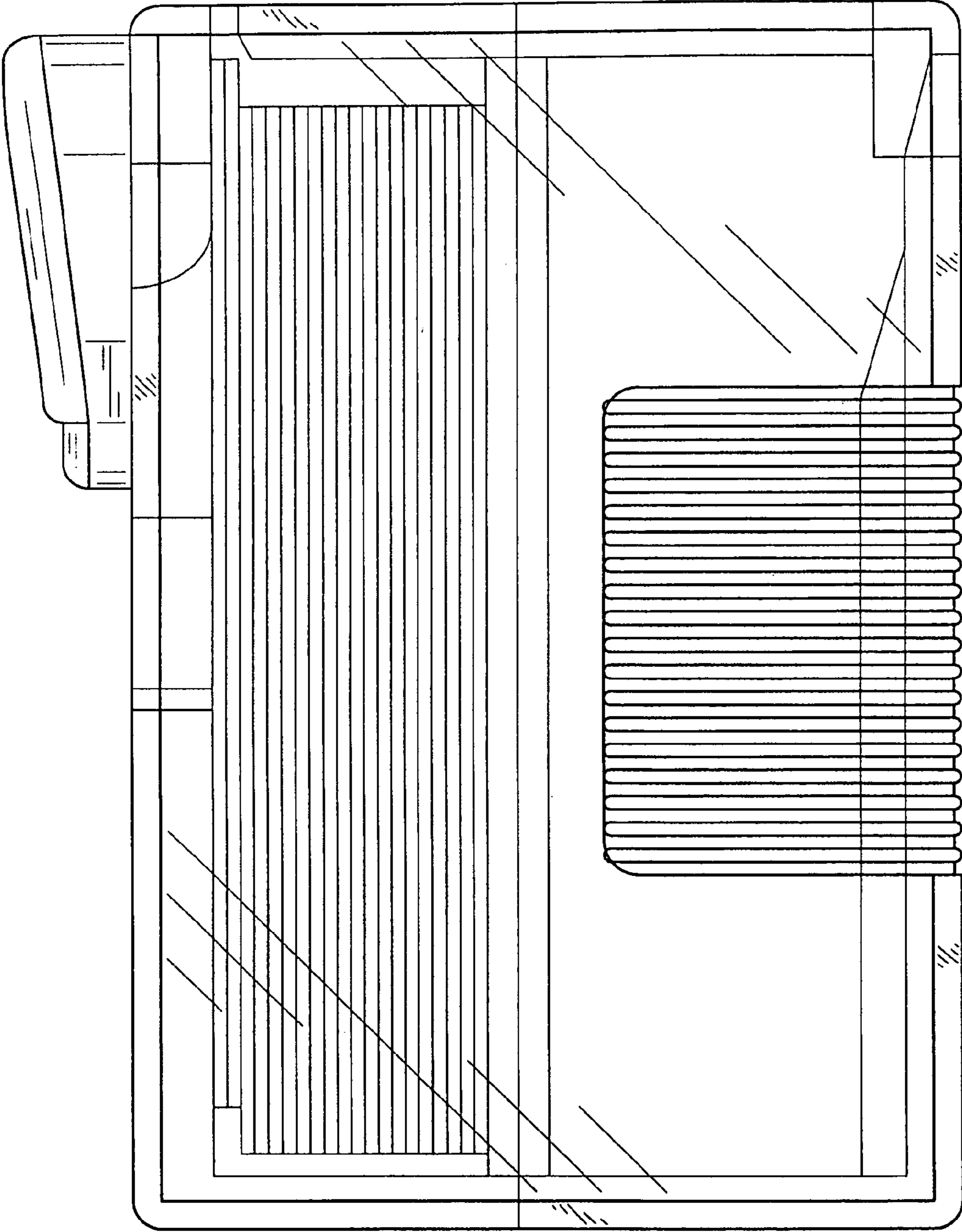


FIG. 5

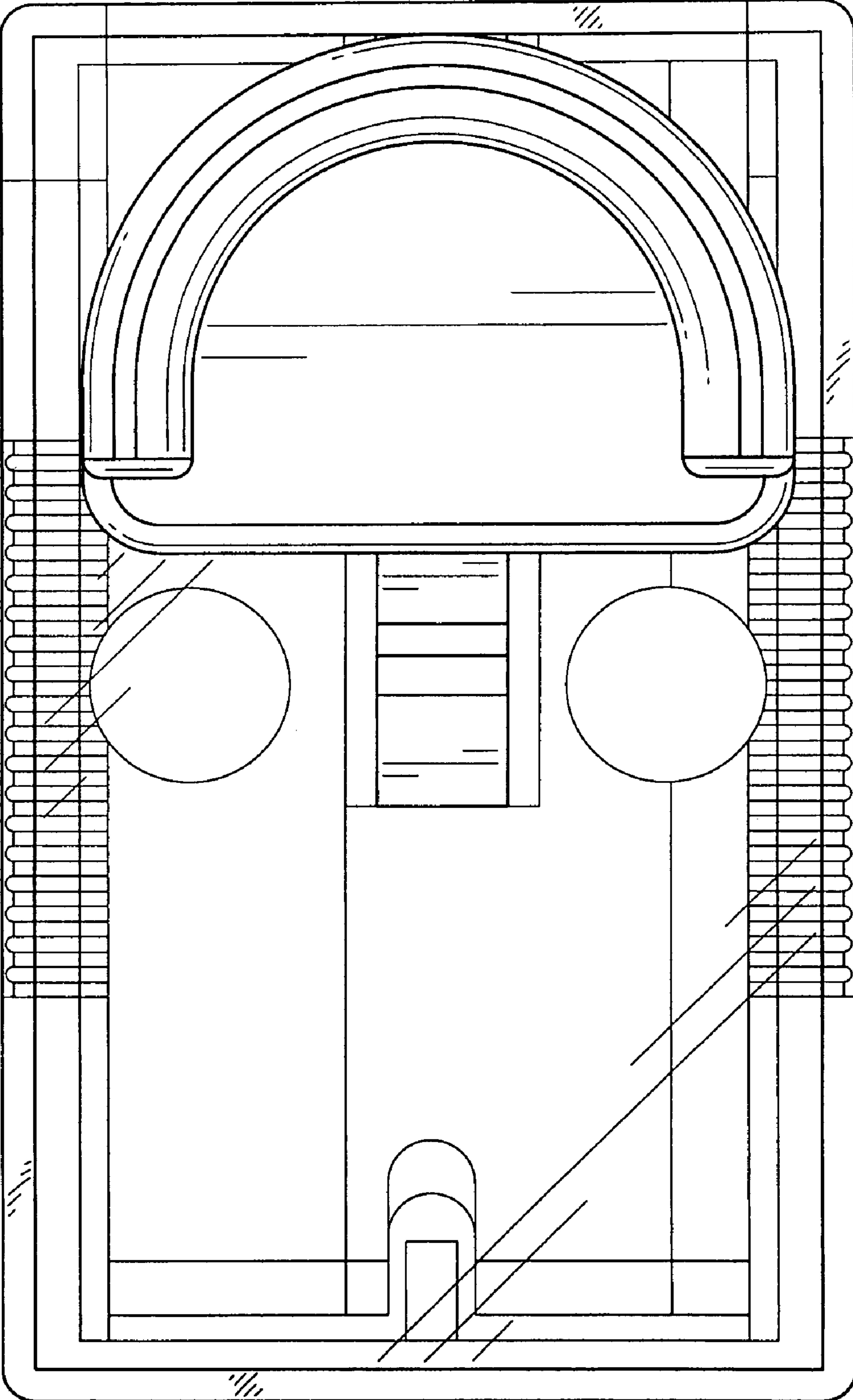


FIG. 6

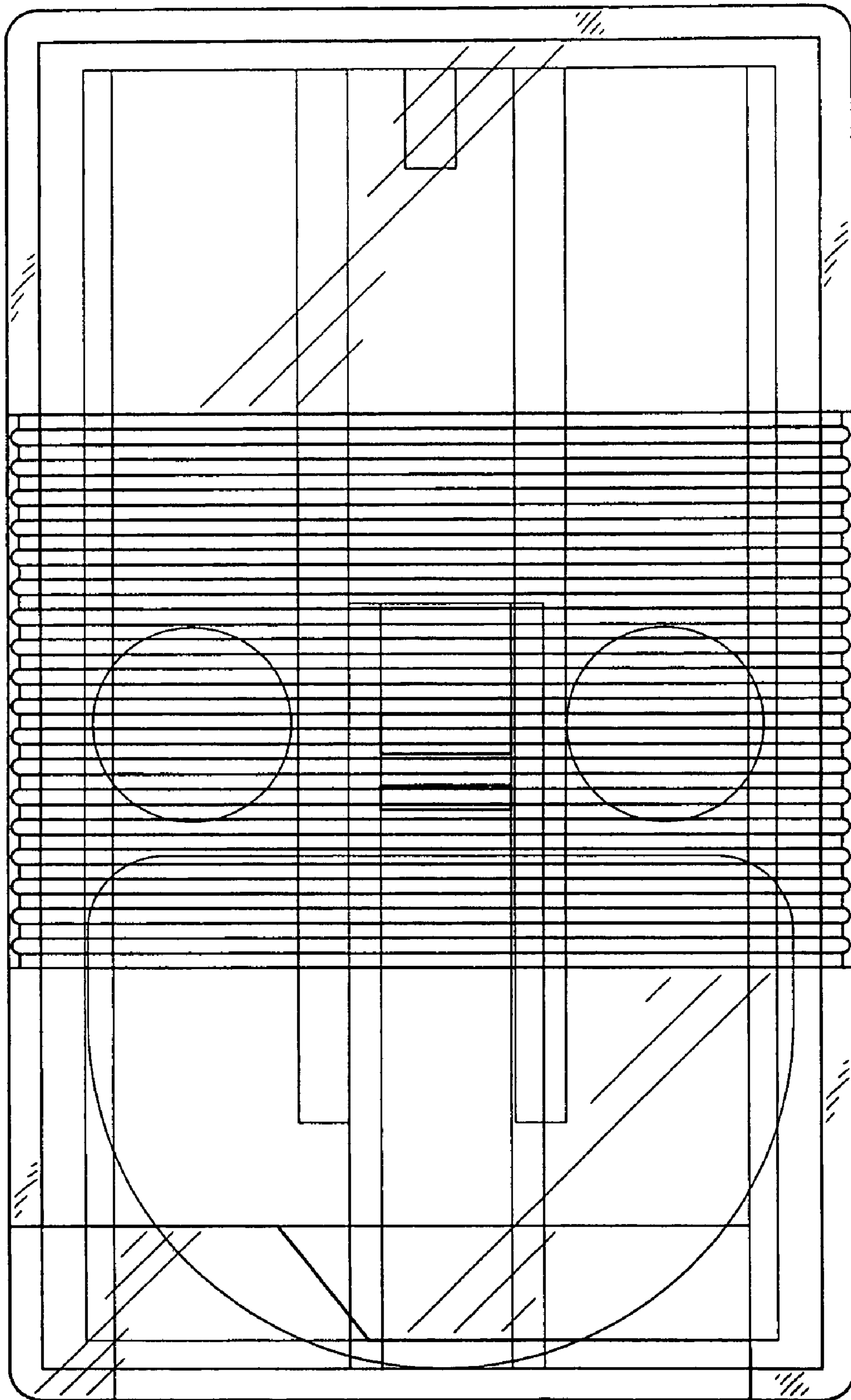


FIG. 7