



US00D595152S

(12) **United States Design Patent**  
**van Deursen**

(10) **Patent No.:** **US D595,152 S**  
(45) **Date of Patent:** **\*\* Jun. 30, 2009**

(54) **BLADE DISPENSER**  
(75) Inventor: **Gary E. van Deursen**, Essex, CT (US)  
(73) Assignee: **American Safety Razor**, Verona, VA (US)  
(\*\*) Term: **14 Years**

6,796,455 B2 9/2004 Schmidt  
D522,855 S \* 6/2006 Liebe et al. .... D9/426  
D527,995 S \* 9/2006 Tanner ..... D9/424  
D546,671 S \* 7/2007 Cronin et al. .... D9/420  
D561,047 S \* 2/2008 Shields ..... D9/730  
2002/0162849 A1 11/2002 Chen  
2004/0099682 A1 5/2004 Huang  
2004/0178214 A1 9/2004 Wei  
2007/0034640 A1 2/2007 Casale

(21) Appl. No.: **29/290,907**  
(22) Filed: **Jan. 29, 2008**

**FOREIGN PATENT DOCUMENTS**

DE 41 17 356 A1 12/1992  
FR 2 723 725 2/1996

(51) **LOC (9) Cl.** ..... **09-01**  
(52) **U.S. Cl.** ..... **D9/735**  
(58) **Field of Classification Search** ..... D9/414,  
D9/417, 420, 424, 426, 430, 432, 730, 735-737,  
D9/478; D3/201, 203.1; 206/556, 800; 221/198,  
221/279, 281

\* cited by examiner

*Primary Examiner*—Stella M. Reid  
*Assistant Examiner*—Shanda C Hill

See application file for complete search history.

(57) **CLAIM**

The ornamental design for a blade dispenser, as shown and described.

(56) **References Cited**

**U.S. PATENT DOCUMENTS**

2,889,076 A 6/1959 Van Schie  
D187,389 S 3/1960 Becker  
3,115,991 A 12/1963 Carew et al.  
3,542,245 A 11/1970 Braginetz  
3,767,083 A 10/1973 Webb  
D252,558 S \* 8/1979 Beck ..... D9/418  
4,316,554 A 2/1982 Lloyd  
4,379,514 A 4/1983 Joffe  
4,789,080 A 12/1988 Iten  
4,826,042 A 5/1989 Vujovich  
D403,954 S \* 1/1999 Okada et al. .... D9/735  
D407,972 S \* 4/1999 Hilton ..... D9/422  
D433,940 S \* 11/2000 Lindsay et al. .... D9/424  
6,158,616 A 12/2000 Huang  
6,382,460 B1 5/2002 Gonzalez  
D474,402 S \* 5/2003 Baerenwald ..... D9/420  
6,598,761 B1 7/2003 Chou

**DESCRIPTION**

FIG. 1 is a front perspective view of the blade dispenser, showing the new design;

FIG. 2 is a front view of the blade dispenser;

FIG. 3 is a rear view of the blade dispenser;

FIG. 4 is a side view of the blade dispenser;

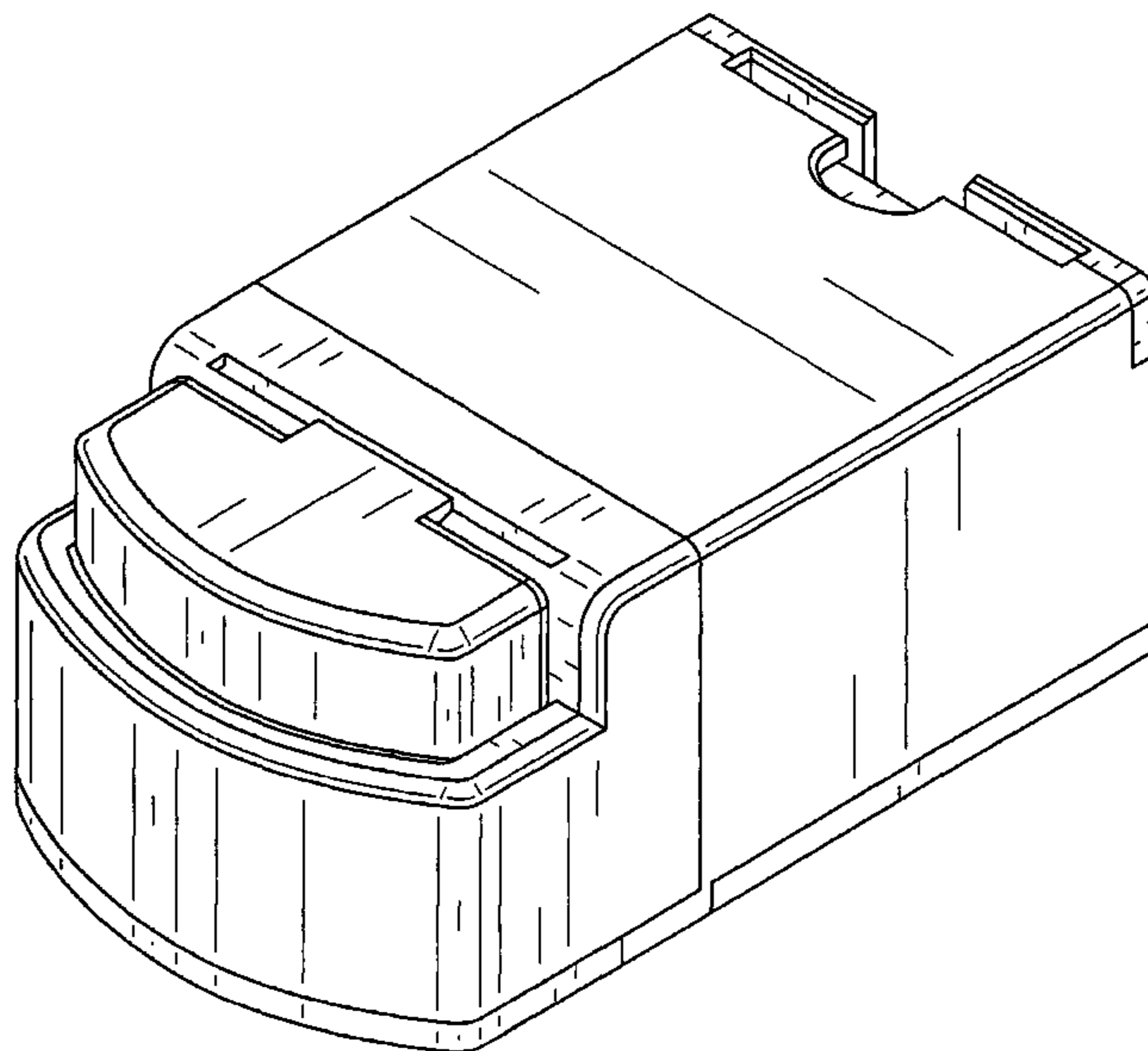
FIG. 5 is another side view of the blade dispenser;

FIG. 6 is a top view of the blade dispenser; and,

FIG. 7 is a bottom view of the blade dispenser.

The broken lines shown in the drawing disclosure are for illustrative purposes only and form no part of the claimed design.

**1 Claim, 6 Drawing Sheets**



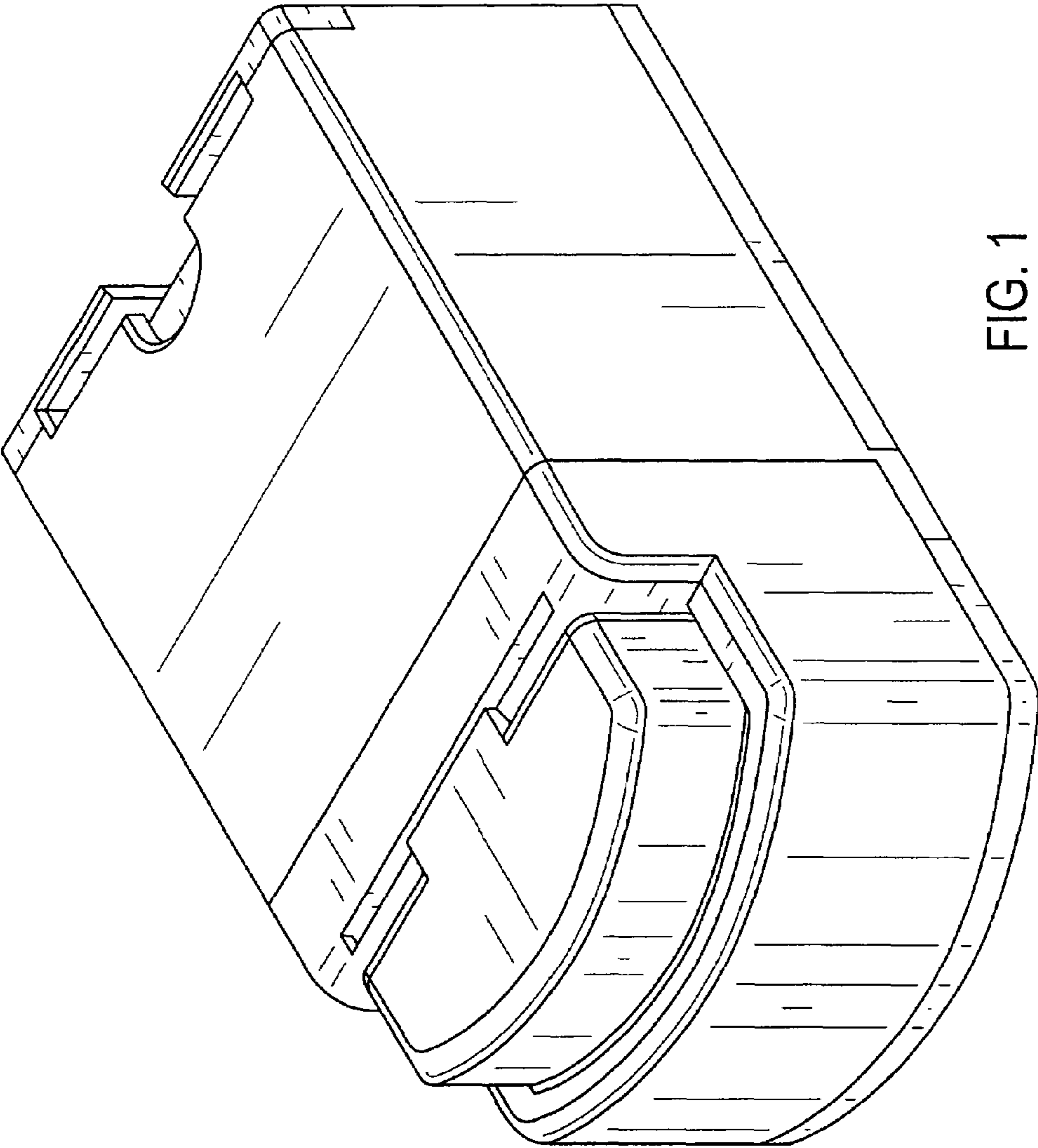


FIG. 1

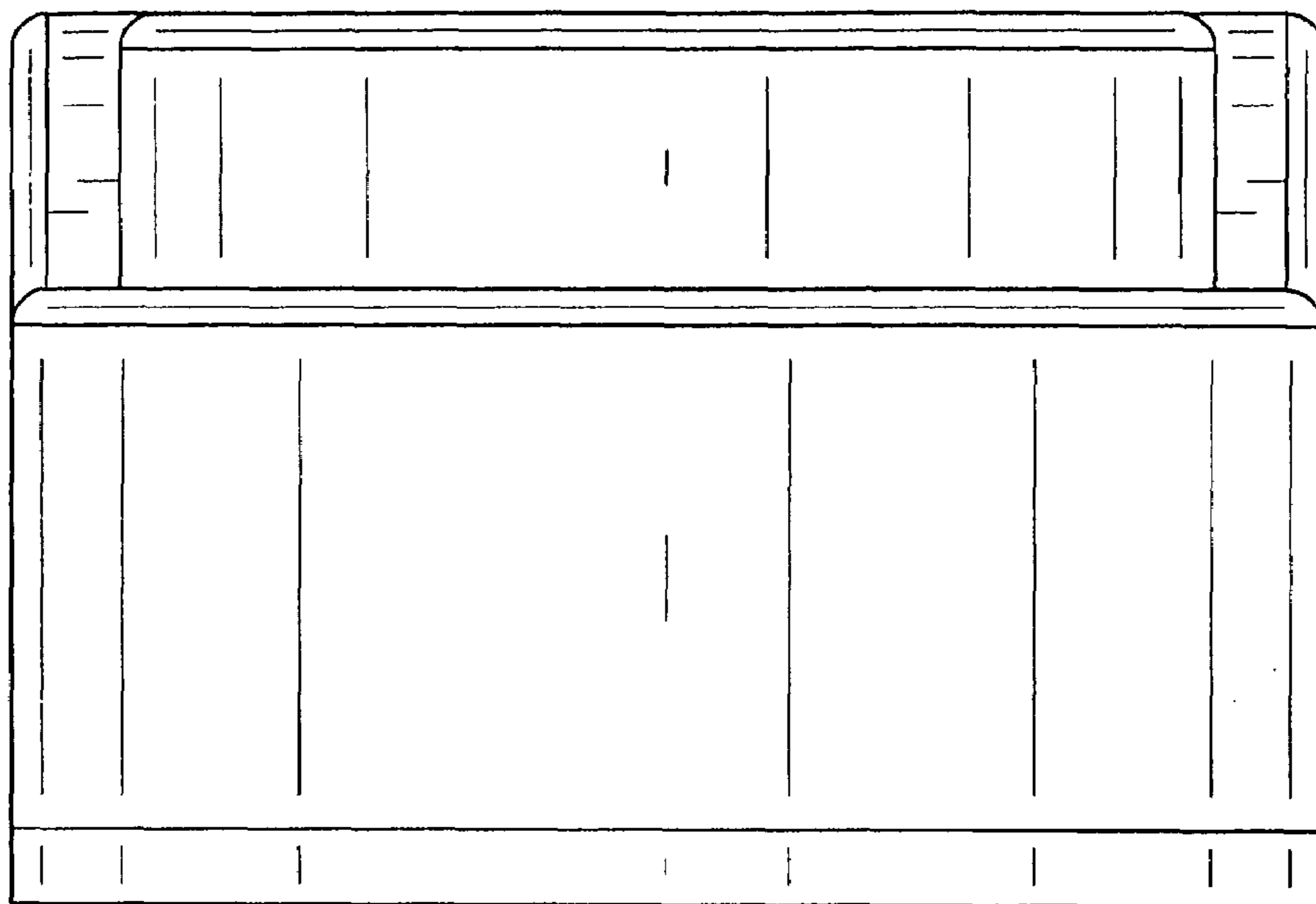


FIG. 2

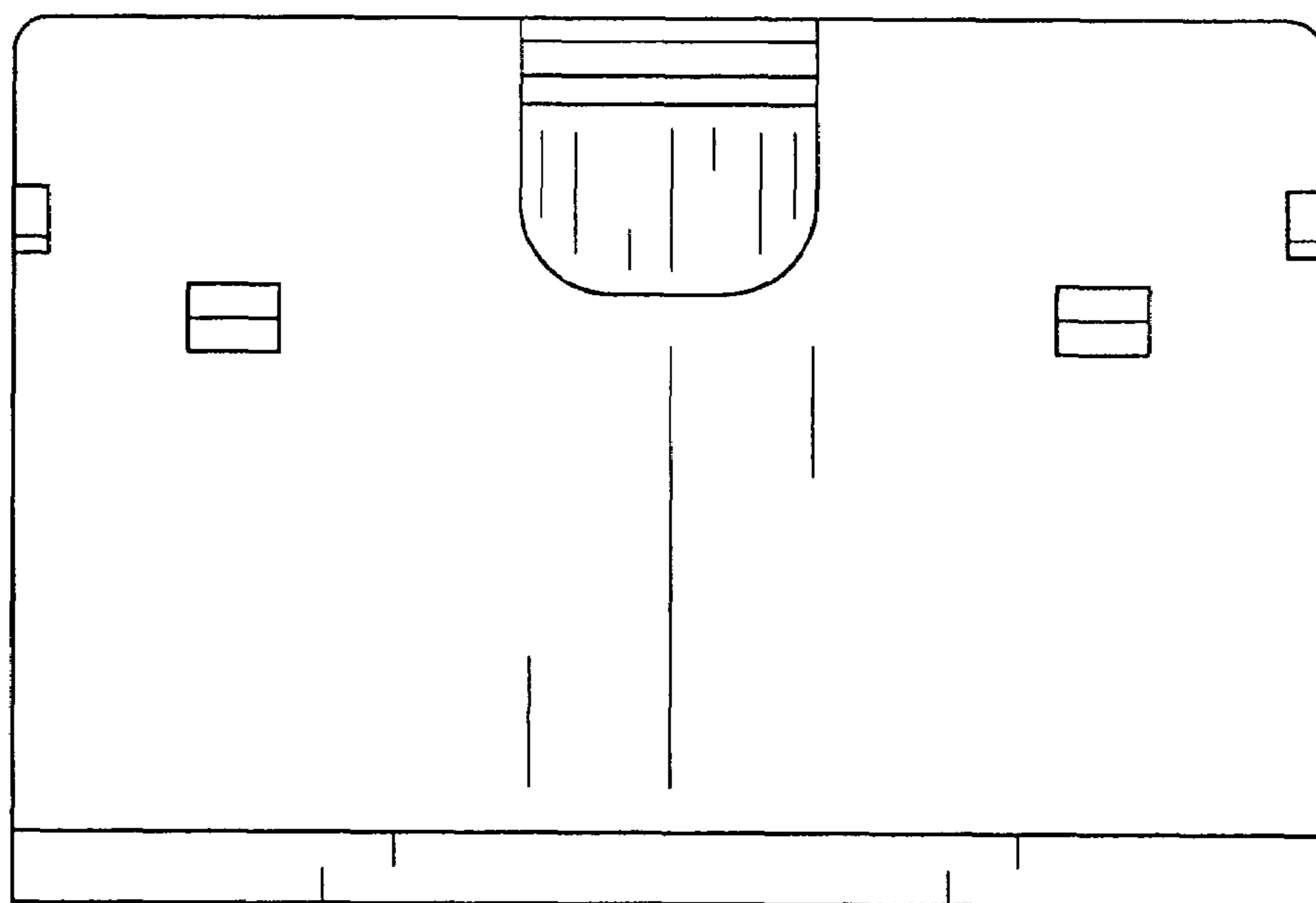


FIG. 3

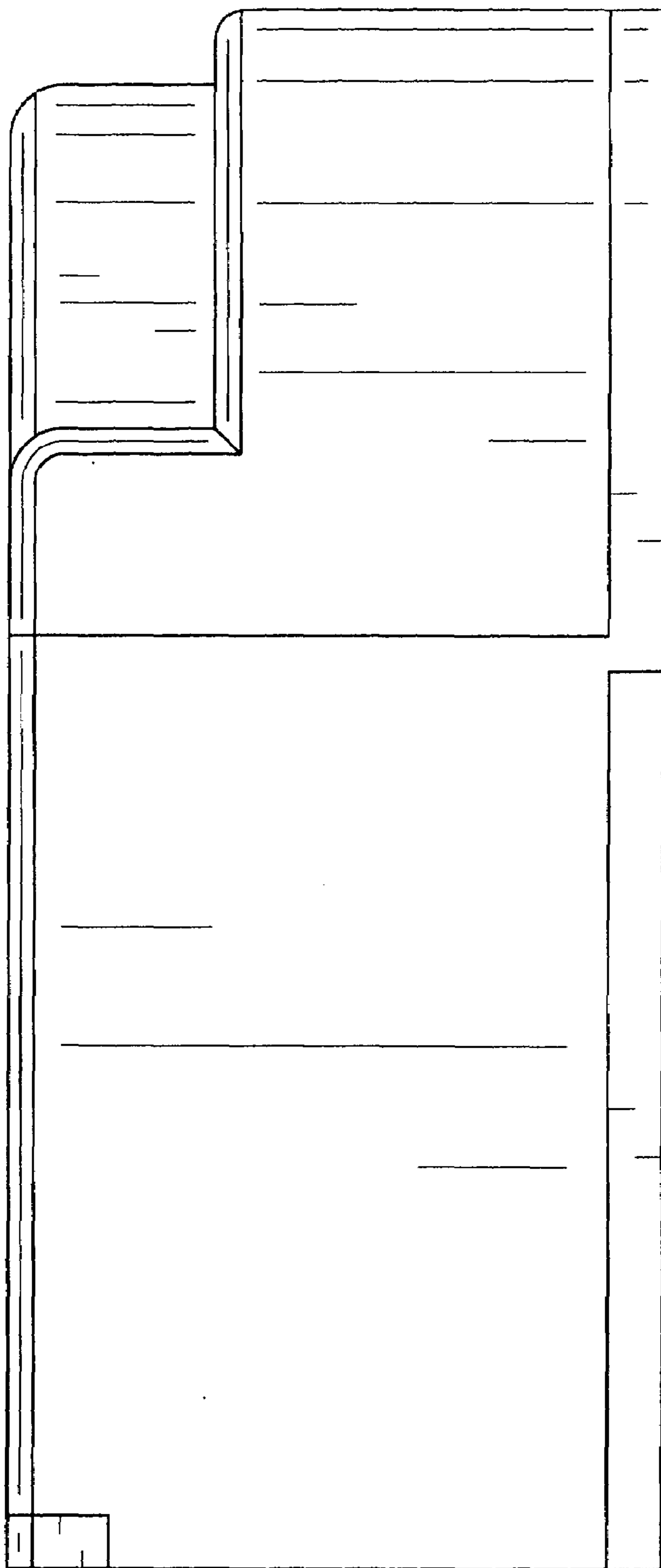


FIG. 4

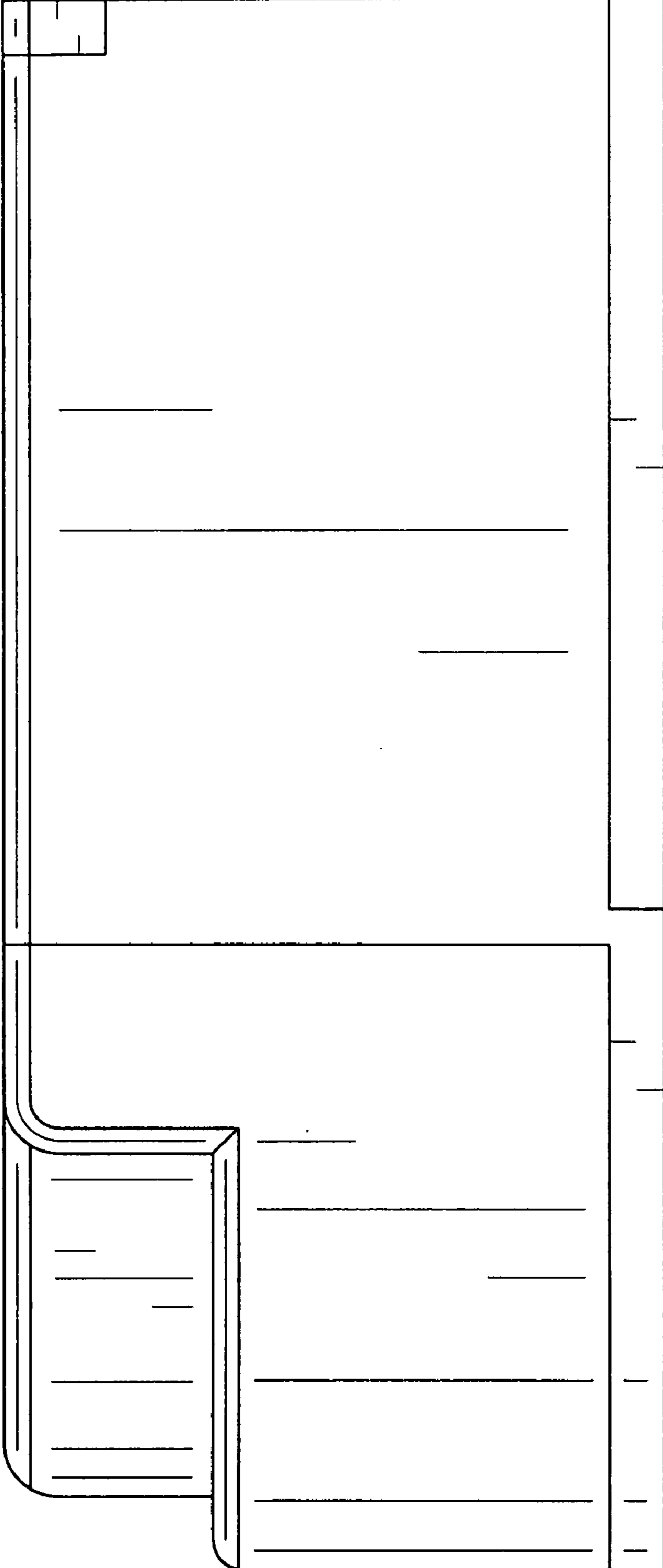


FIG. 5

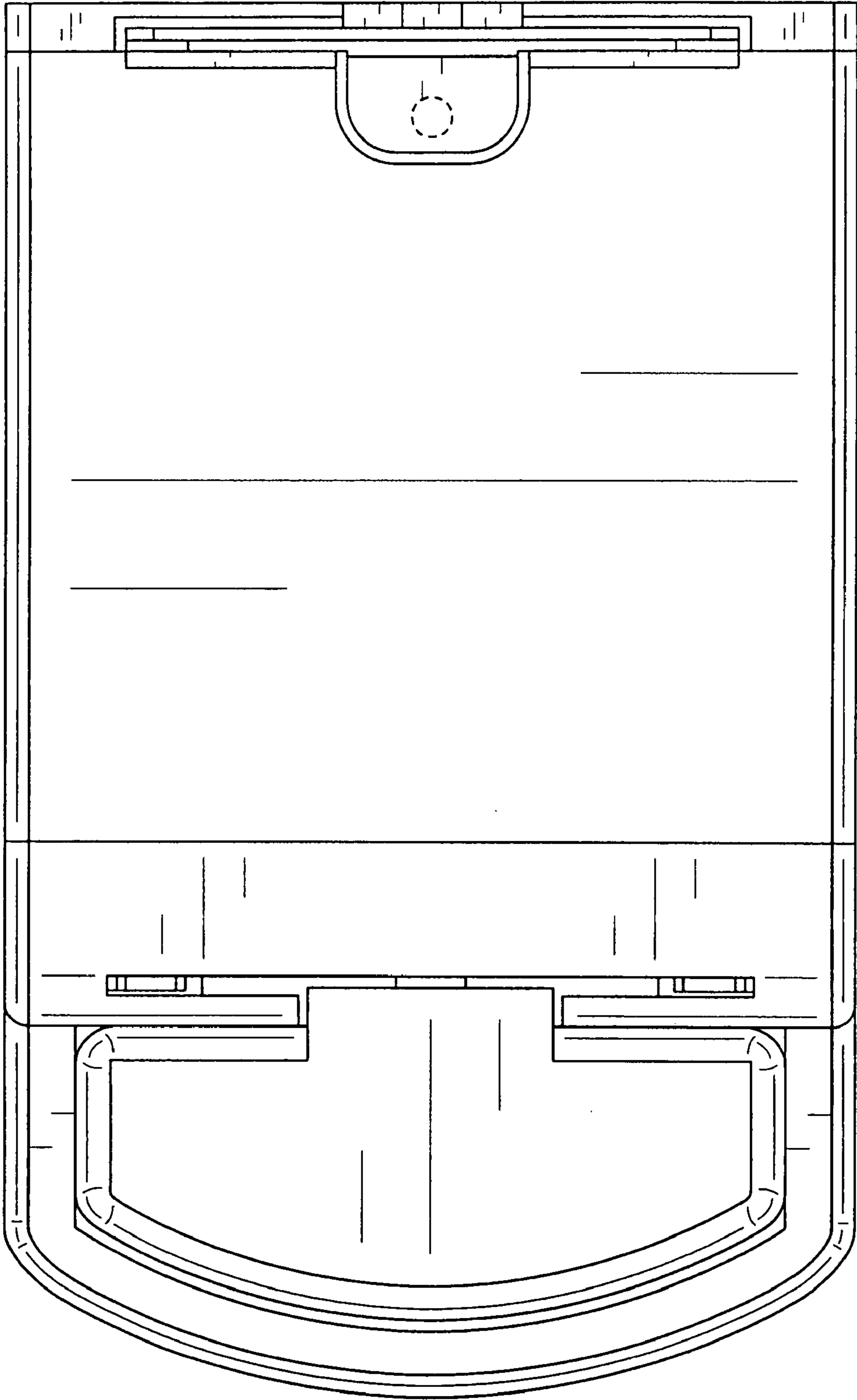


FIG. 6

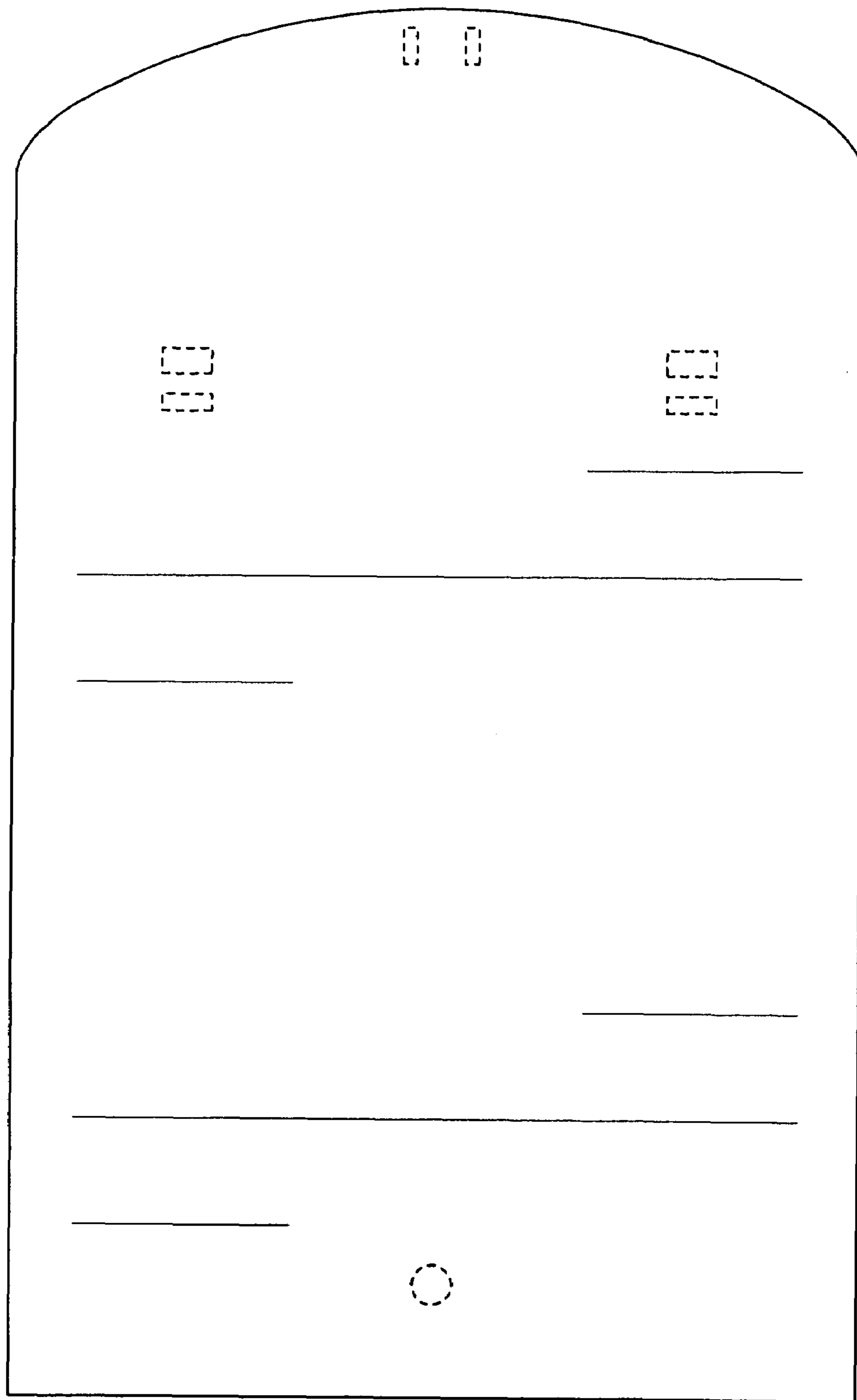


FIG. 7