



US00D595150S

(12) **United States Design Patent**  
**Cain**

(10) **Patent No.:** **US D595,150 S**

(45) **Date of Patent:** **\*\* Jun. 30, 2009**

(54) **CARTON**

(75) Inventor: **Kara Marie Cain**, Cincinnati, OH (US)

(73) Assignee: **The Procter & Gamble Company**,  
Cincinnati, OH (US)

(\*\*) Term: **14 Years**

(21) Appl. No.: **29/333,271**

(22) Filed: **Mar. 5, 2009**

(51) **LOC (9) Cl.** ..... **09-05**

(52) **U.S. Cl.** ..... **D9/711**

(58) **Field of Classification Search** ..... D9/711,  
D9/702, 713, 719, 738-740, 517-518, 522,  
D9/416, 444, 438, 455, 499, 414, 739; D7/560-561;  
206/434, 427, 426, 429, 430, 485, 485.1,  
206/499, 508; 229/117.13, 185, 121-122,  
229/200, 207, 236, 237  
See application file for complete search history.

(56) **References Cited**

**U.S. PATENT DOCUMENTS**

3,443,681	A *	5/1969	Wysocki	.....	206/508
3,687,281	A *	8/1972	Prot	.....	206/430
3,854,580	A *	12/1974	Hennessey	.....	206/426
4,037,721	A *	7/1977	Schillinger	.....	206/434
4,155,450	A *	5/1979	Schillinger	.....	206/434
4,756,419	A *	7/1988	Le Bras	.....	206/430

4,890,738	A *	1/1990	Carver	.....	206/434
5,105,945	A *	4/1992	Carver	.....	206/426
5,163,548	A *	11/1992	Domansky	.....	206/158
5,855,275	A *	1/1999	Hunter et al.	.....	206/429
5,921,392	A *	7/1999	Davis	.....	206/434
D558,602	S *	1/2008	Kissner et al.	.....	D9/711

\* cited by examiner

*Primary Examiner*—Caron Veynar

*Assistant Examiner*—Abraham Bahta

(74) *Attorney, Agent, or Firm*—Amy T. Ahn-Roll

(57) **CLAIM**

The ornamental design for a carton, as shown and described.

**DESCRIPTION**

FIG. 1 is a perspective view of the carton showing my new design;

FIG. 2 is a top view thereof;

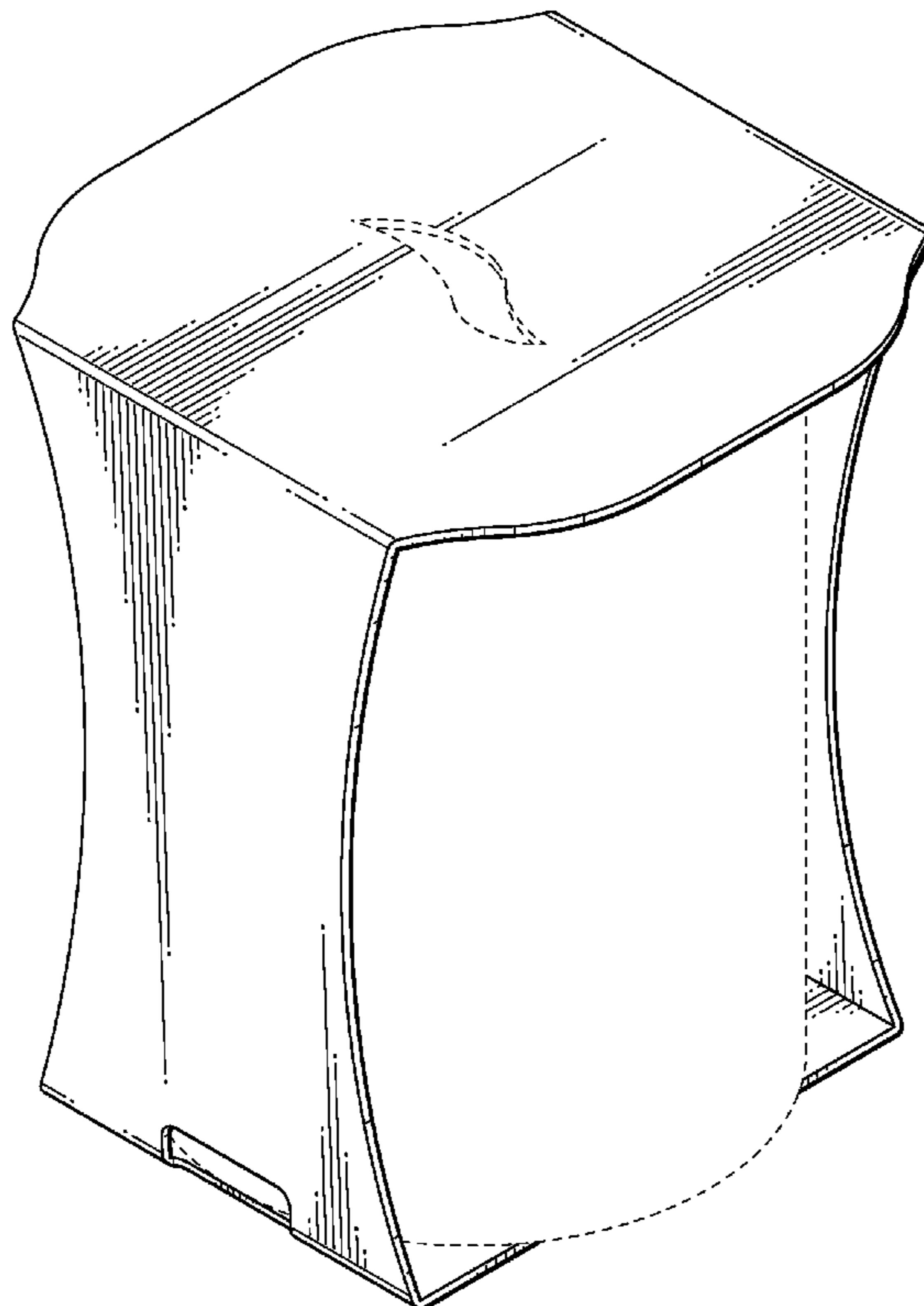
FIG. 3 is a rear elevational view thereof;

FIG. 4 is a right side side elevational view thereof, the left side elevational view being a mirror image of the right side elevational view; and,

FIG. 5 is a bottom view thereof.

The broken lines shown in the drawings are for illustrative purposes only and form no part of the claimed design.

**1 Claim, 3 Drawing Sheets**



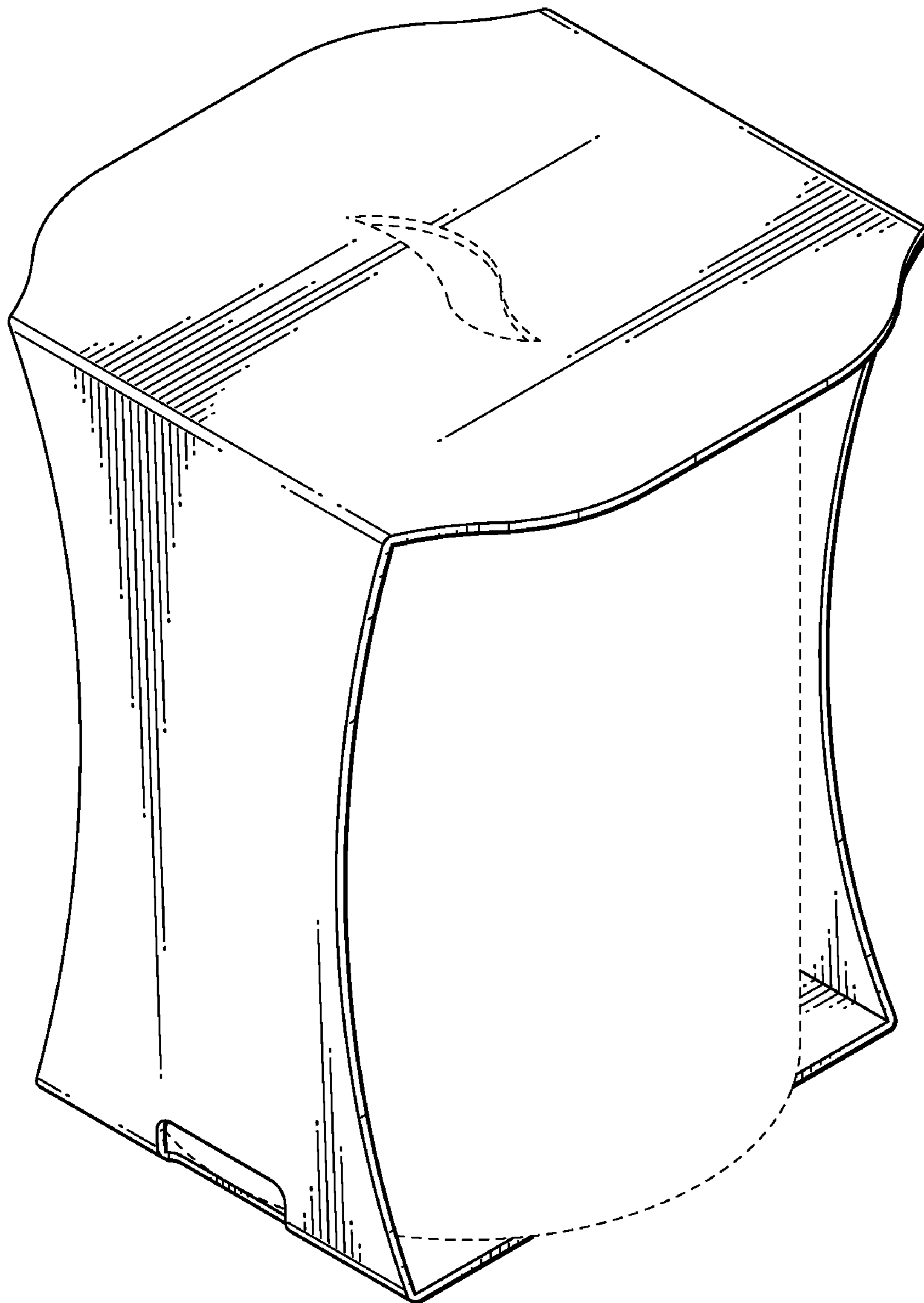


FIG. 1

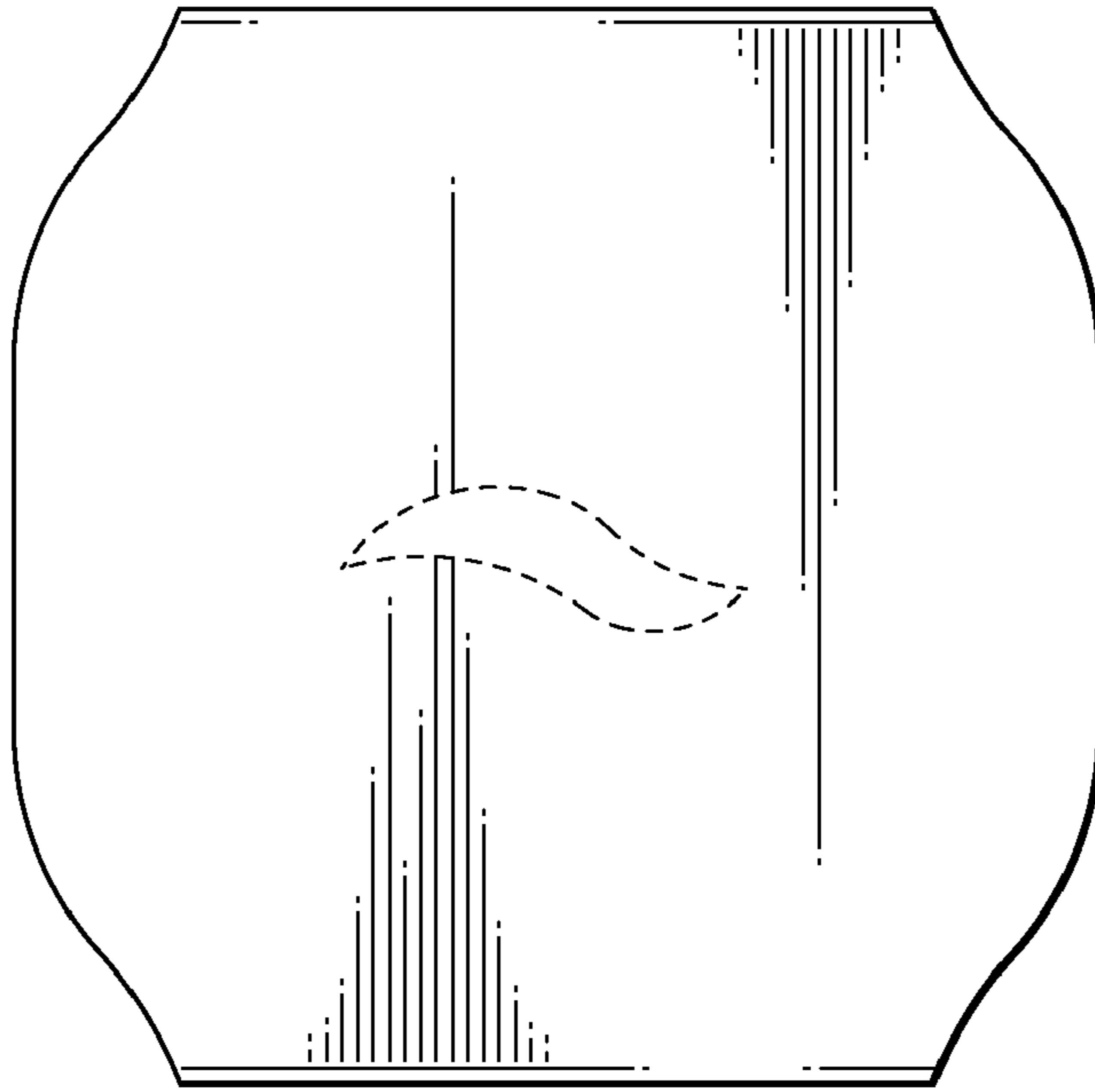


FIG. 2

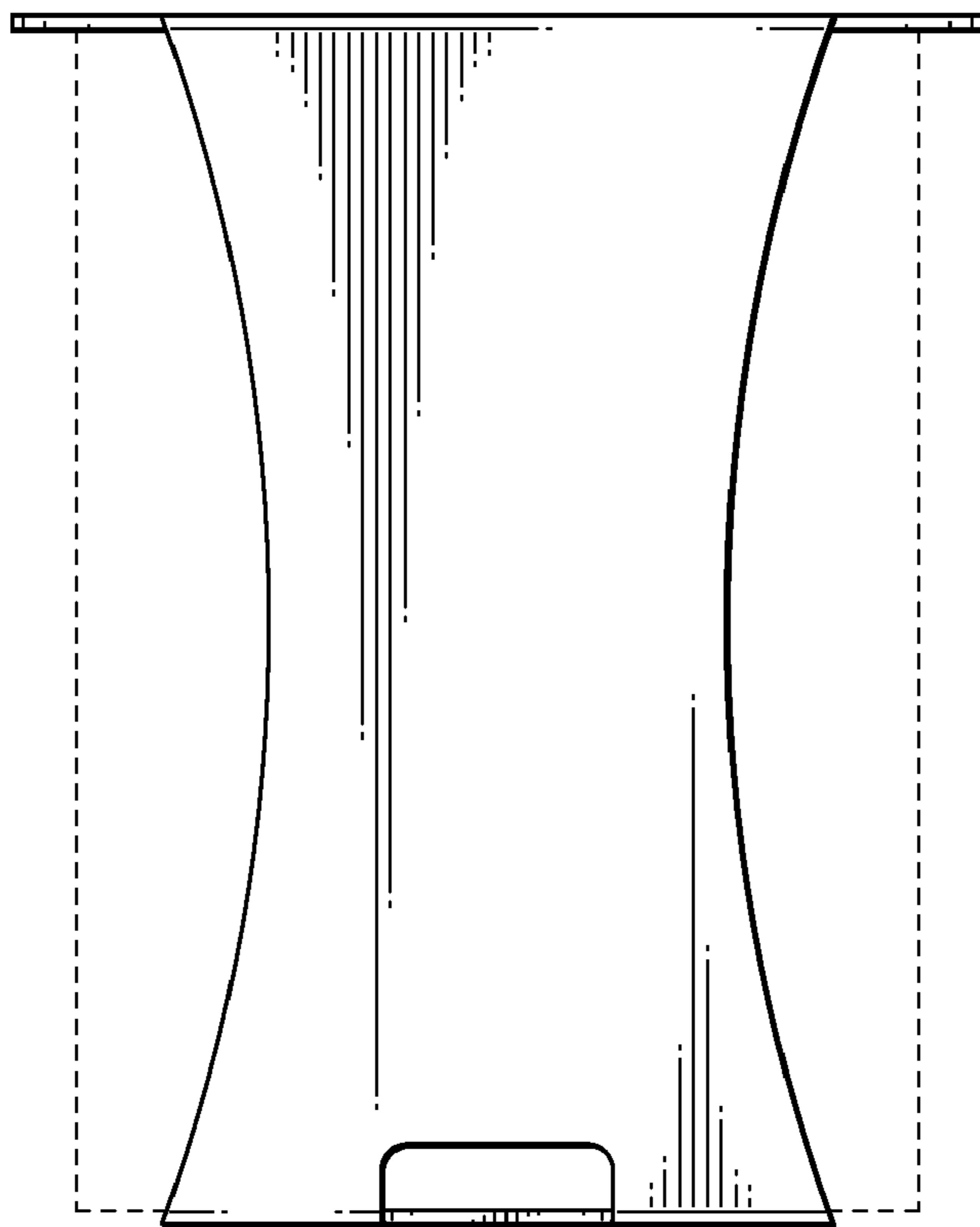


FIG. 3

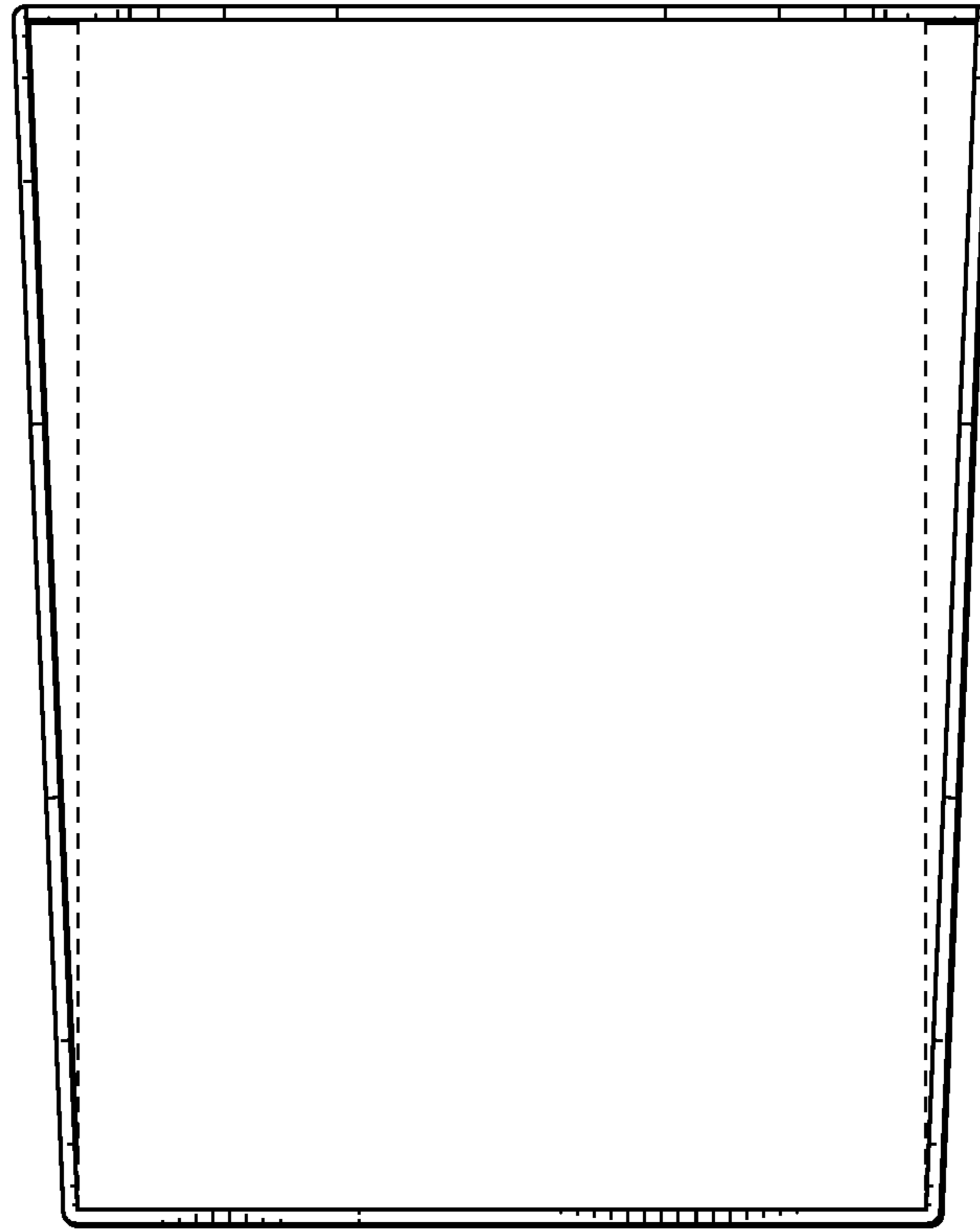


FIG. 4

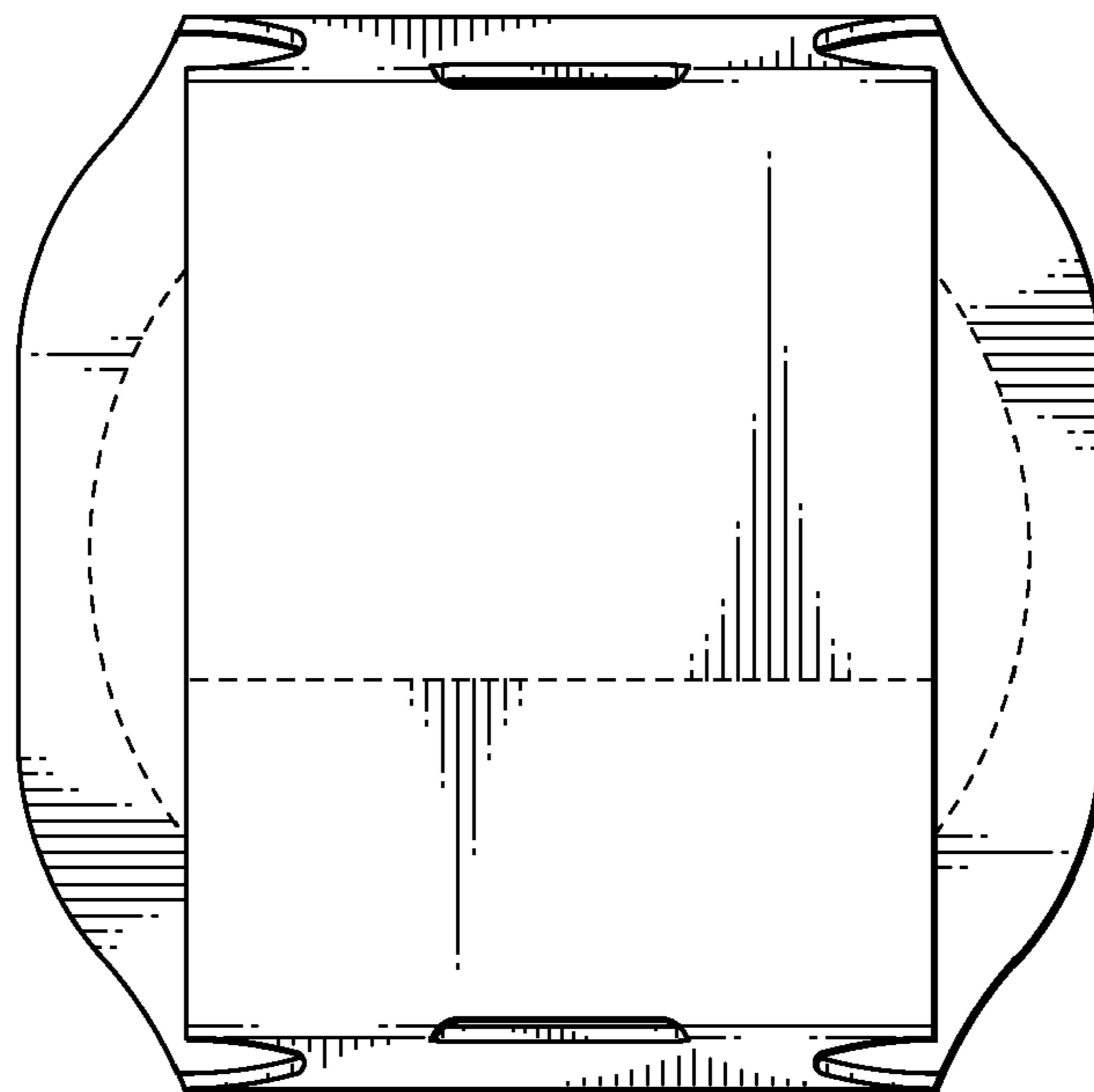


FIG. 5