

US00D595146S

(12) **United States Design Patent**
Ivey

(10) **Patent No.:** **US D595,146 S**
(45) **Date of Patent:** **** Jun. 30, 2009**

(54) **COMBINATION BOTTLE AND STOPPER**

(75) Inventor: **Michael Scott Ivey**, Newport Coast, CA
(US)

(73) Assignee: **Agave Underground, Inc.**, Irvine, CA
(US)

(**) Term: **14 Years**

(21) Appl. No.: **29/307,350**

(22) Filed: **Apr. 14, 2008**

(51) **LOC (9) Cl.** **09-01**

(52) **U.S. Cl.** **D9/626; D9/451; D9/600**

(58) **Field of Classification Search** D9/600,
D9/626, 414, 430-433, 451; 206/457, 822;
215/400; 220/890; D3/270, 271.1, 271.2;
D7/514-515, 619.2, 628; D99/1

See application file for complete search history.

(56) **References Cited**

U.S. PATENT DOCUMENTS

- D46,407 S * 9/1914 Moss et al. D9/626
- D48,212 S * 11/1915 Wiegand D9/626
- D51,142 S * 8/1917 Johnson D9/626
- D313,745 S * 1/1991 Akman D9/600

- D353,994 S * 1/1995 Kohler D9/600
- D419,260 S * 1/2000 Manzo, Jr. D27/188
- D460,354 S * 7/2002 Goldiner et al. D9/626
- D540,182 S * 4/2007 Weaver D9/600

OTHER PUBLICATIONS

Candy Containers for Collectors by Debra S. Braun, 2002. p. 56. "Mr. Bones" candy coffin.*

* cited by examiner

Primary Examiner—Sandra Morris

(74) *Attorney, Agent, or Firm*—Jan P. Weir, Esq.; Douglas Q. Hahn, Esq.

(57) **CLAIM**

The ornamental design for a combination bottle and stopper, as shown and described.

DESCRIPTION

FIG. 1 is a front perspective view showing an embodiment of my new design;

FIG. 2 is a front view thereof;

FIG. 3 is a back view thereof;

FIG. 4 is a right view thereof; and,

FIG. 5 is a left view thereof.

1 Claim, 3 Drawing Sheets

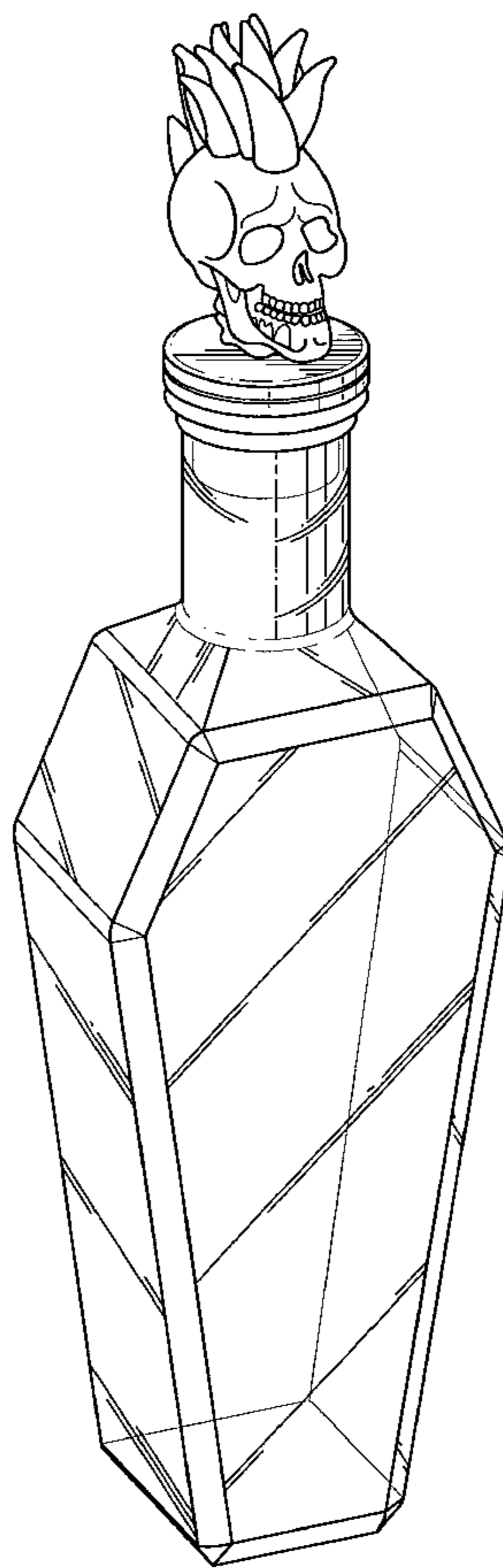
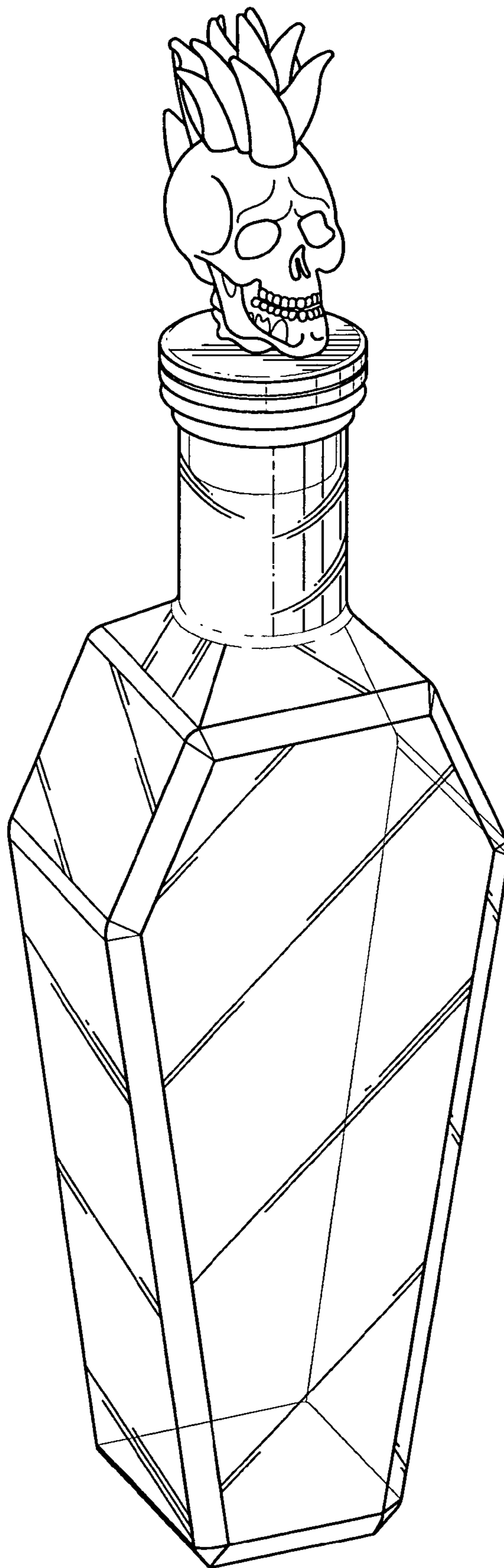


FIG. 1



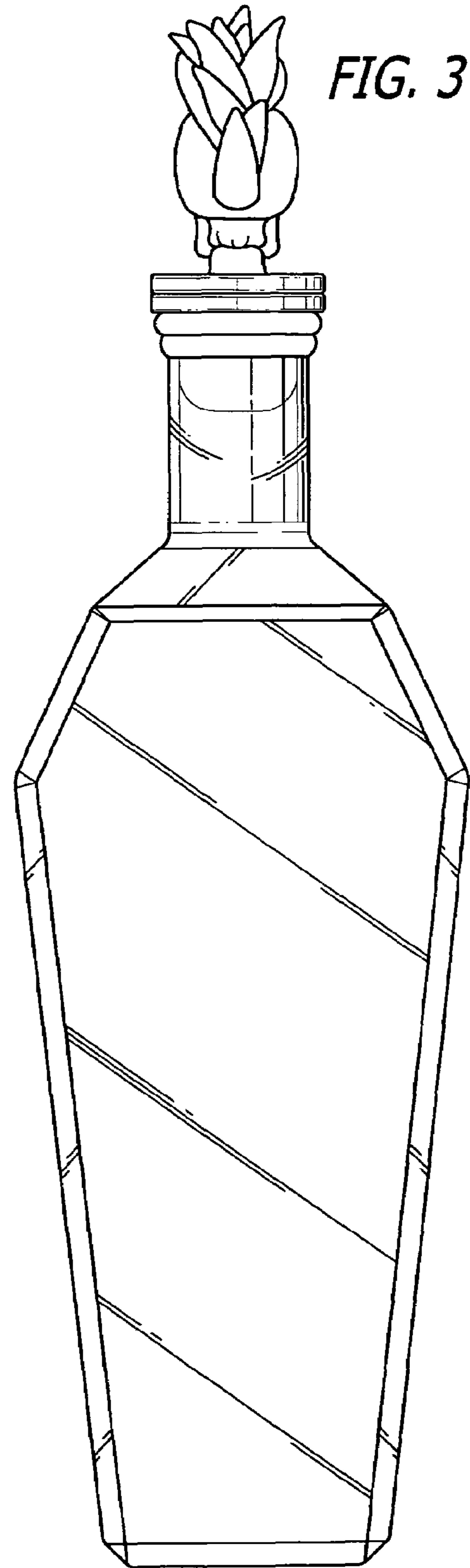
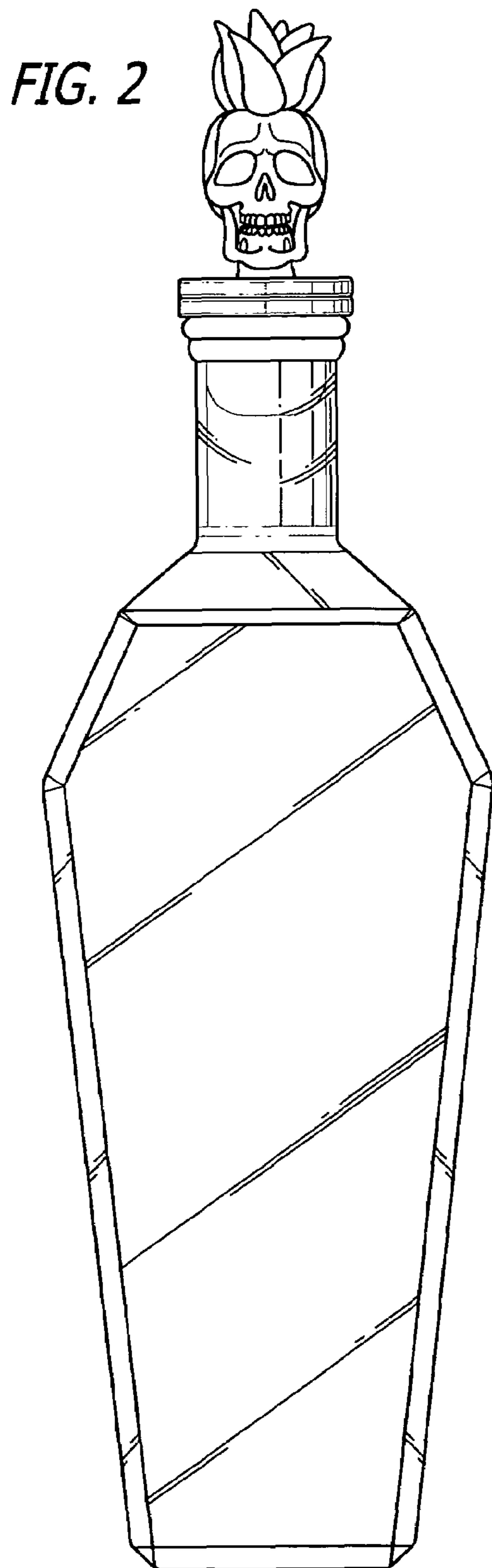


FIG. 4

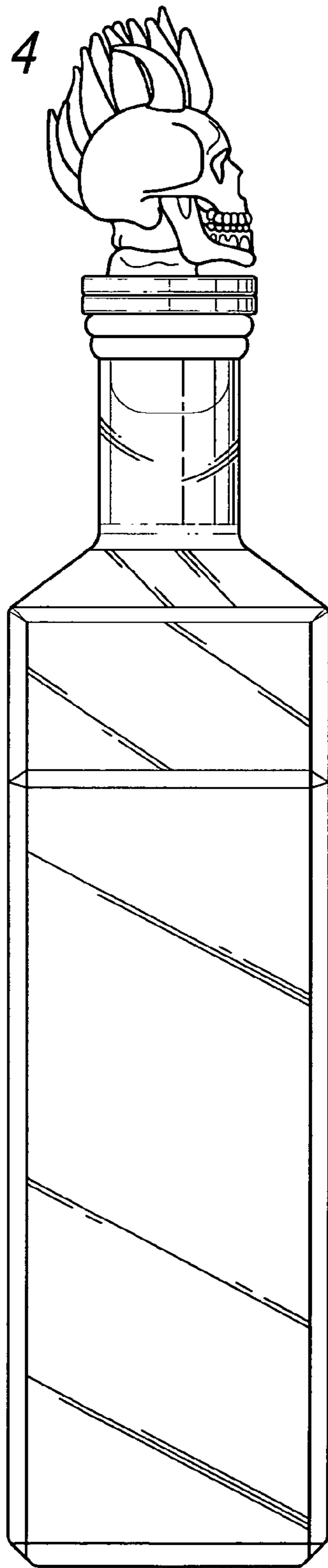


FIG. 5

