

US00D595143S

(12) **United States Design Patent**
Hazelton et al.

(10) **Patent No.:** **US D595,143 S**
(45) **Date of Patent:** **** Jun. 30, 2009**

- (54) **BOTTLE**
- (75) Inventors: **Lance Hazelton**, Astoria, NY (US);
Brian Pare, Newtown, CT (US)
- (73) Assignee: **PepsiCo, Inc.**, Purchase, NY (US)
- (**) Term: **14 Years**
- (21) Appl. No.: **29/333,041**
- (22) Filed: **Mar. 2, 2009**

- D437,550 S 2/2001 Kato et al.
- D437,551 S 2/2001 Kato et al.
- D471,112 S 3/2003 Davis et al.
- D508,856 S 8/2005 Boon et al.
- D547,659 S * 7/2007 Heisner D9/516
- D566,578 S 4/2008 Snyder et al.

* cited by examiner

Primary Examiner—Sandra Morris
(74) *Attorney, Agent, or Firm*—Banner & Witcoff, Ltd.

Related U.S. Application Data

- (62) Division of application No. 29/302,434, filed on Jan. 16, 2008, now Pat. No. Des. 589,815.
 - (51) **LOC (9) Cl.** **09-01**
 - (52) **U.S. Cl.** **D9/551; D9/516**
 - (58) **Field of Classification Search** D7/514–517;
D9/600–601, 605, 607, 500–504, 516, 537–543,
D9/549–551; 206/457, 459.5; 215/379–383,
215/400; 220/890
- See application file for complete search history.

References Cited

U.S. PATENT DOCUMENTS

- D409,482 S 5/1999 Jacobs
- D412,281 S 7/1999 Lindsay et al.
- D430,803 S 9/2000 Reis et al.
- D437,214 S 2/2001 Kato et al.

(57) **CLAIM**

The ornamental design for a bottle, as shown and described.

DESCRIPTION

- FIG. 1 is a front left perspective view of a bottle showing our new design;
- FIG. 2 is a front view thereof;
- FIG. 3 is a right side view thereof;
- FIG. 4 is a rear view thereof;
- FIG. 5 is a left side view thereof;
- FIG. 6 is a top view thereof; and,
- FIG. 7 is a bottom view thereof.

The broken lines immediately adjacent to the shaded area represent unclaimed boundaries of the design. The broken lines showing the remainder of the bottle are for environmental purposes only and form no part of the claimed design.

1 Claim, 6 Drawing Sheets

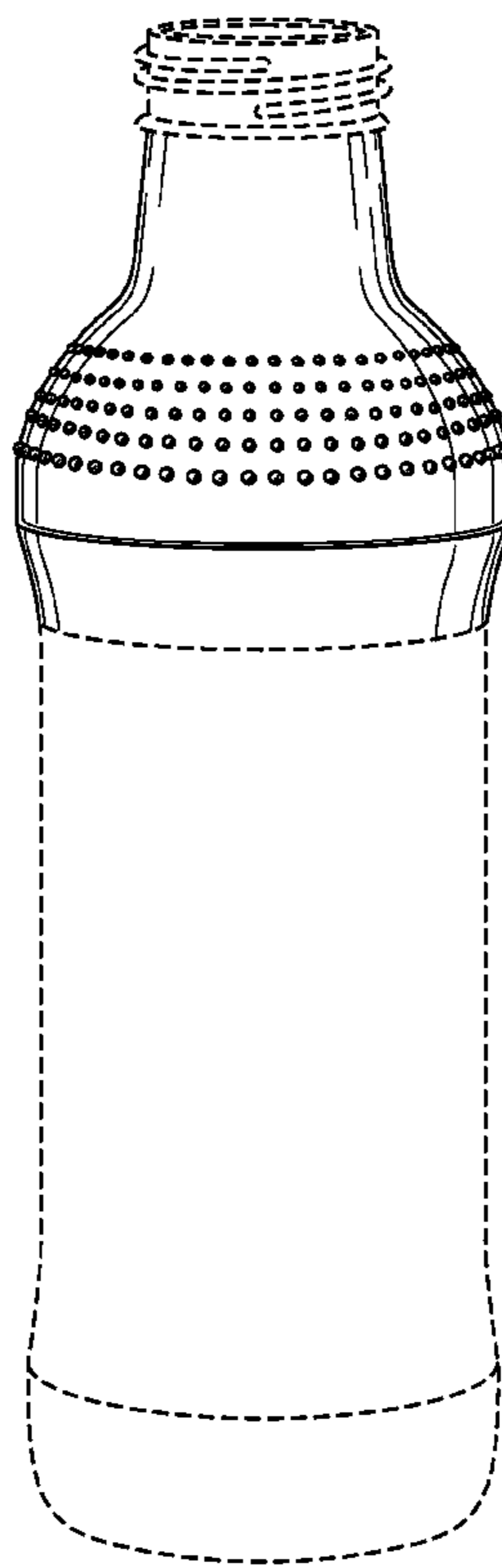


Fig. 1

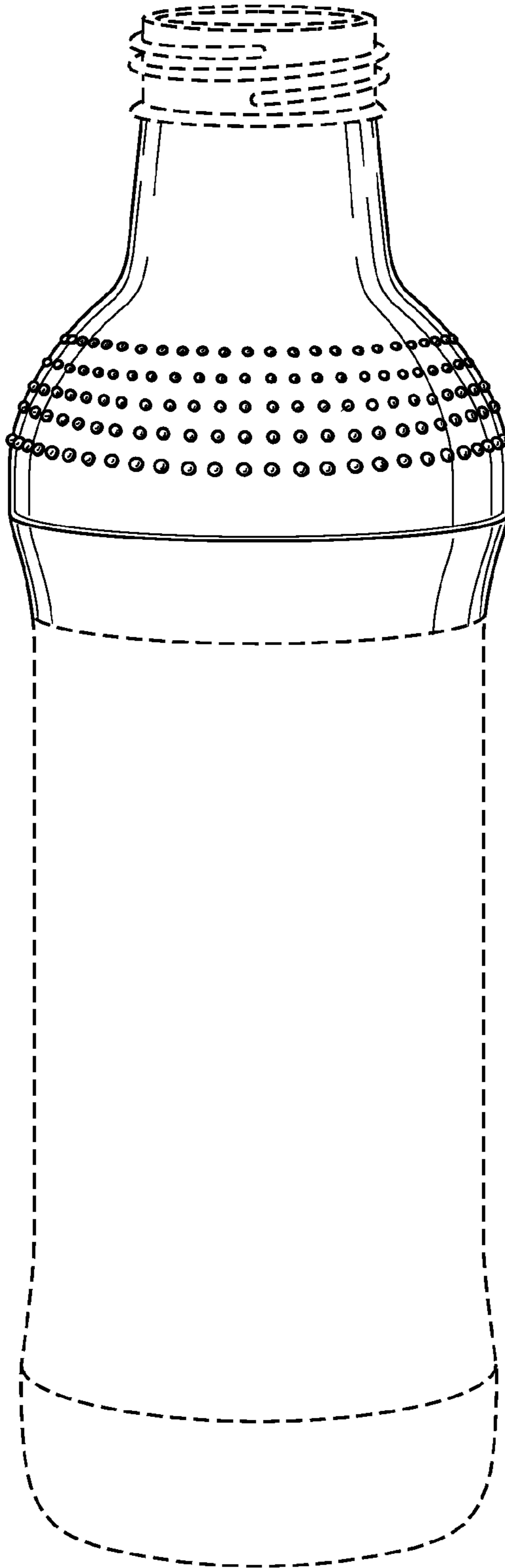


Fig. 2

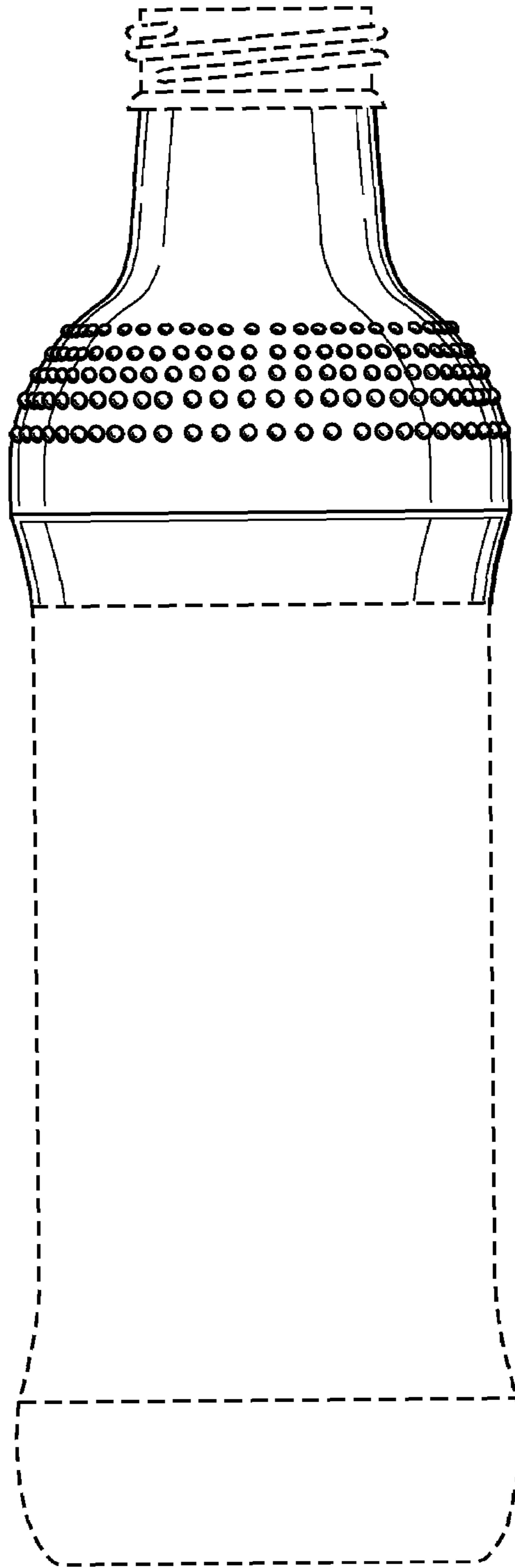


Fig. 3

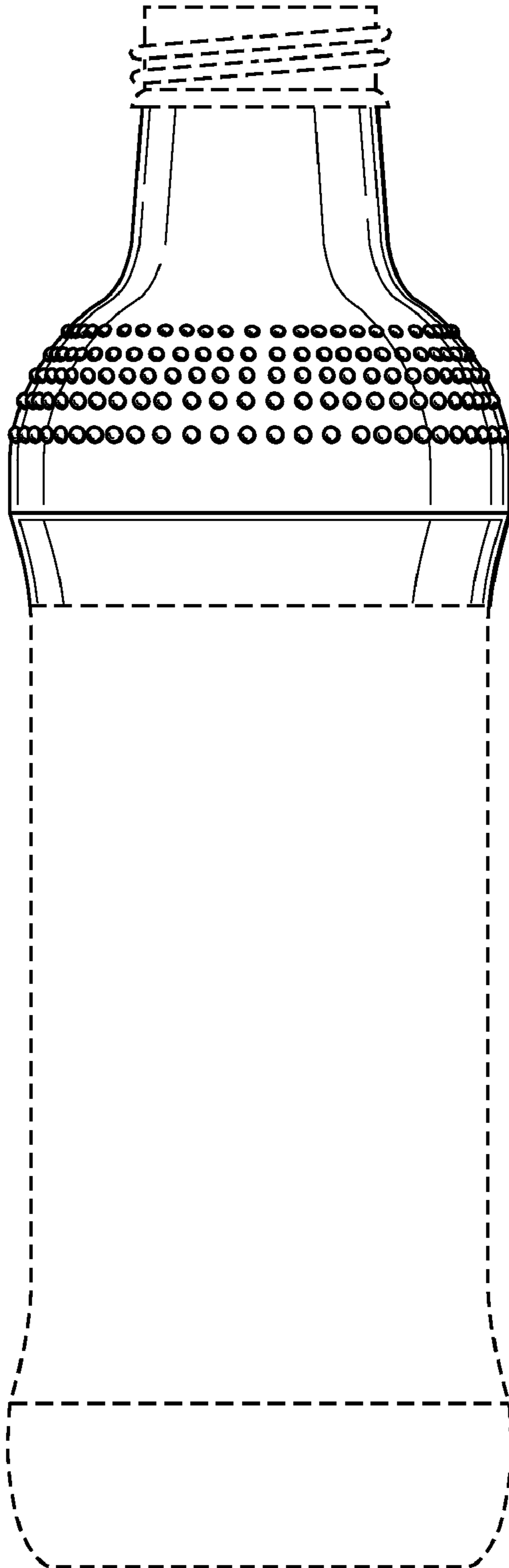


Fig. 4

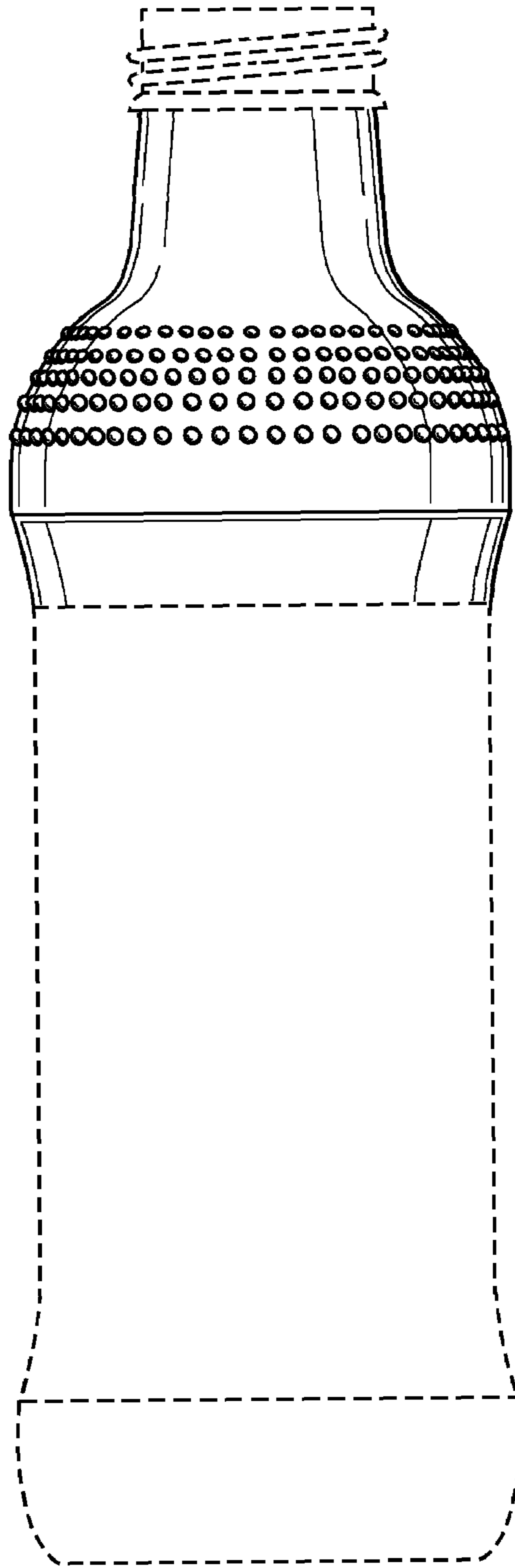


Fig. 5

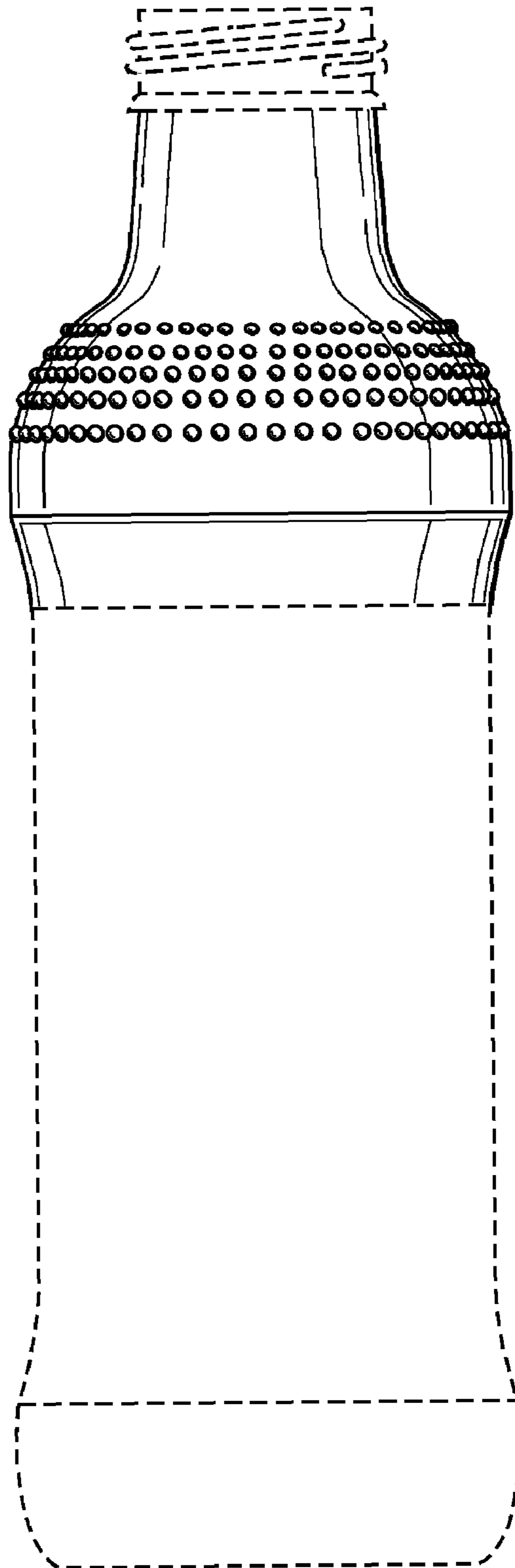


Fig. 6

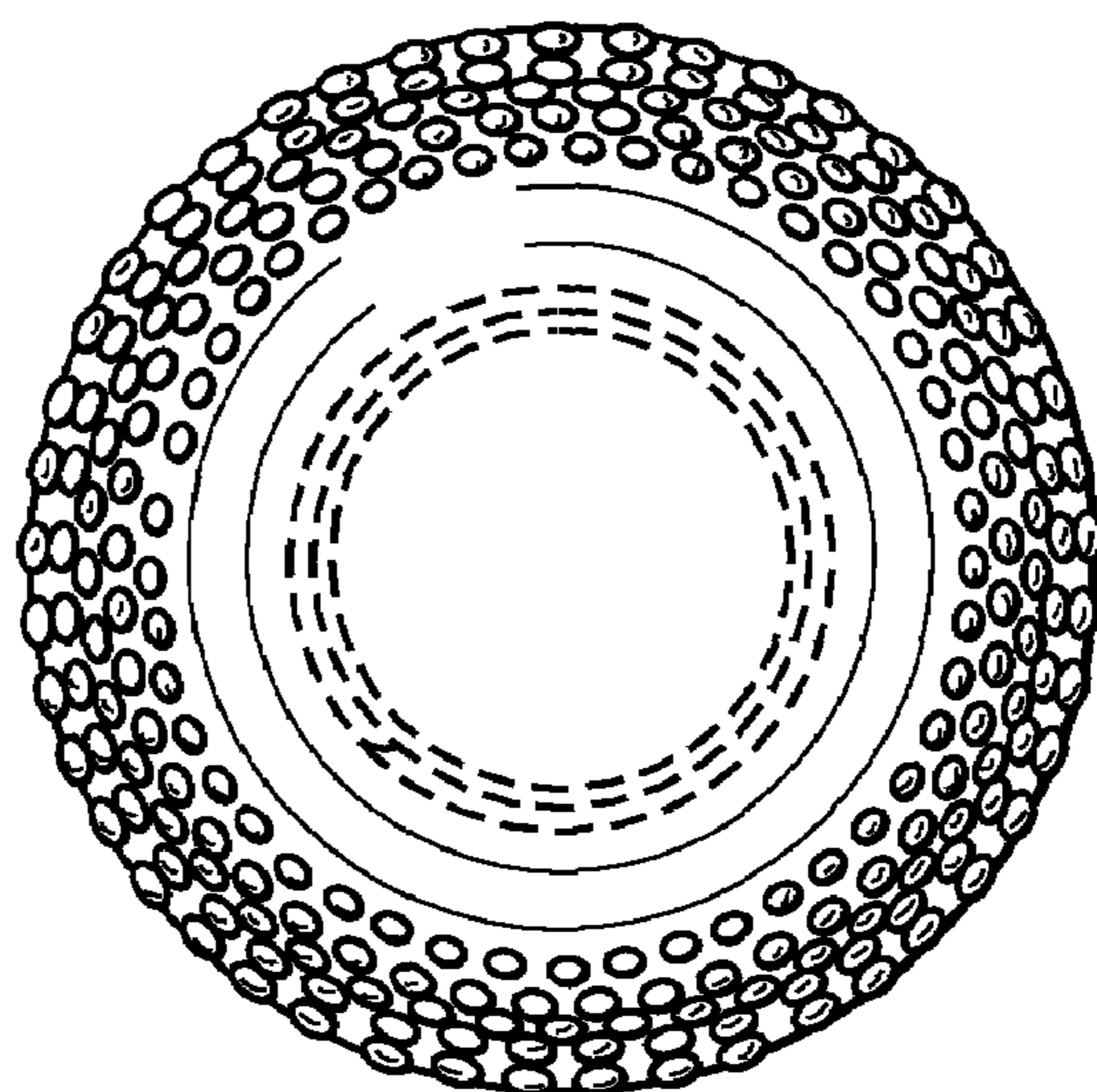


Fig. 7

