

US00D595131S

(12) **United States Design Patent**
Dibnah et al.

(10) **Patent No.:** **US D595,131 S**
(45) **Date of Patent:** **** Jun. 30, 2009**

(54) **LID WITH SPATULA**
(75) Inventors: **Carl Dibnah**, Hull (GB); **Chris Padain**,
Montvale, NJ (US); **Tom Walker**, Bristol
(GB); **Craig Wightman**, Bristol (GB)
(73) Assignee: **Reckitt Benckiser (UK) Limited**,
Berkshire (GB)
(**) Term: **14 Years**
(21) Appl. No.: **29/307,540**
(22) Filed: **Apr. 25, 2008**
(30) **Foreign Application Priority Data**
Nov. 1, 2007 (EM) 000818851-0004

5,415,309 A * 5/1995 Wang 220/4.27
D398,524 S * 9/1998 Waterhouse D9/737
6,453,562 B1 9/2002 Hakim
D466,015 S * 11/2002 Faucon D9/435
D482,578 S 11/2003 Kortleven et al.
D491,419 S 6/2004 White et al.
D496,231 S 9/2004 Germany
D504,611 S * 5/2005 Bakic D9/446
D509,024 S 8/2005 Pimentel
D510,502 S * 10/2005 Tollman D7/505
D510,503 S * 10/2005 Tollman D7/505
D516,392 S 3/2006 De Vries
D518,597 S 4/2006 Sommers
D528,432 S * 9/2006 Snedden et al. D9/716
D529,802 S * 10/2006 Jelich et al. D9/449
D553,983 S * 10/2007 Bunce et al. D9/454
D563,167 S * 3/2008 Snedden et al. D7/505
D574,189 S * 8/2008 Stamper D7/505

(51) **LOC (9) Cl.** **09-07**
(52) **U.S. Cl.** **D9/436; D9/449**
(58) **Field of Classification Search** D9/716,
D9/715, 454, 453, 452, 450, 449, 447, 446,
D9/443, 438, 436, 435, 434; D7/643, 638,
D7/505, 396.2, 392, 392.1, 305; 426/120;
229/404, 401; 222/556, 480; 220/810, 713,
220/375, 254.1-254.9; 215/236, 235; 206/807
See application file for complete search history.

* cited by examiner

Primary Examiner—Susan Bennett Hattan
(74) *Attorney, Agent, or Firm*—TraskBritt

(56) **References Cited**
U.S. PATENT DOCUMENTS
1,734,477 A * 11/1929 Fowle 229/401
2,425,917 A 8/1947 Brignola
2,433,926 A * 1/1948 Sayre 229/404
2,745,586 A * 5/1956 Thoma 229/401
2,824,369 A 2/1958 Welch
4,536,910 A 8/1985 Clark
D302,793 S * 8/1989 Yamaguchi D9/436
D309,550 S * 7/1990 Pozzi D7/505

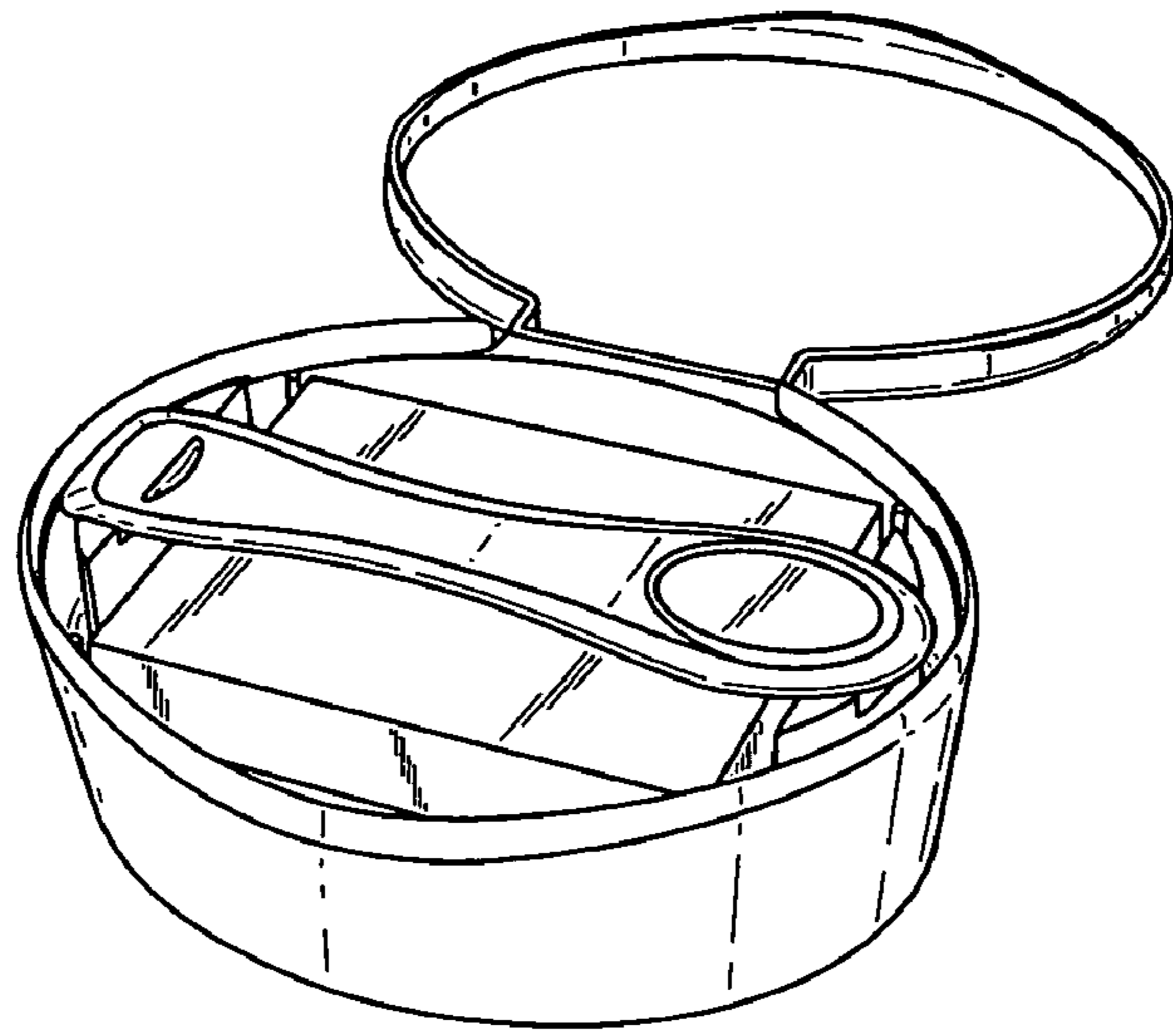
(57) **CLAIM**

The ornamental design for a lid with spatula, as shown and described.

DESCRIPTION

FIG. 1 is a perspective view showing a new design;
FIG. 2 is a front view of the new design;
FIG. 3 is a rear view of the new design;
FIG. 4 is a right side view of the design;
FIG. 5 is a left side view of the design;
FIG. 6 is a top view of the new design; and,
FIG. 7 is a bottom view of the new design.

1 Claim, 2 Drawing Sheets



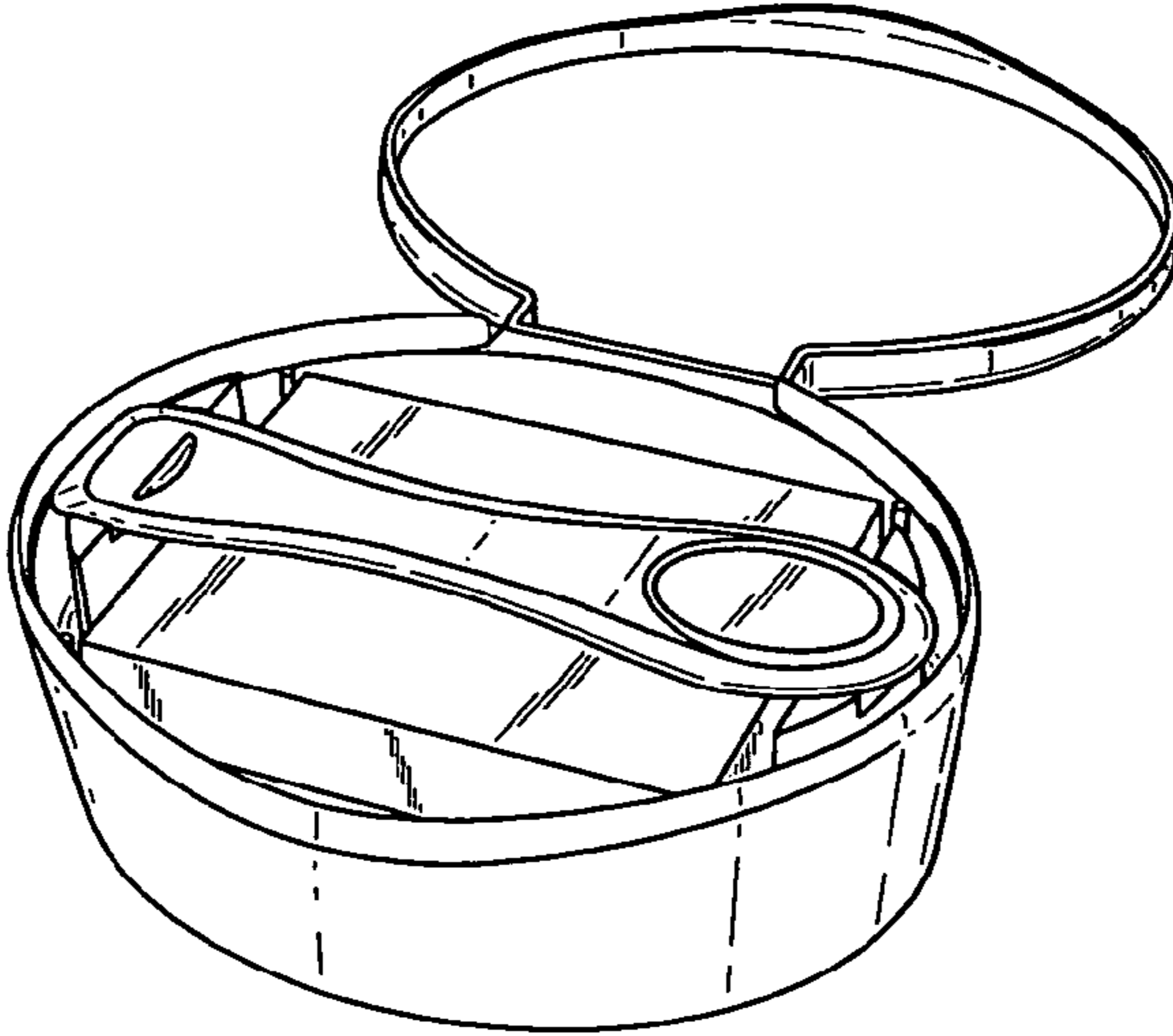


Fig. 1.

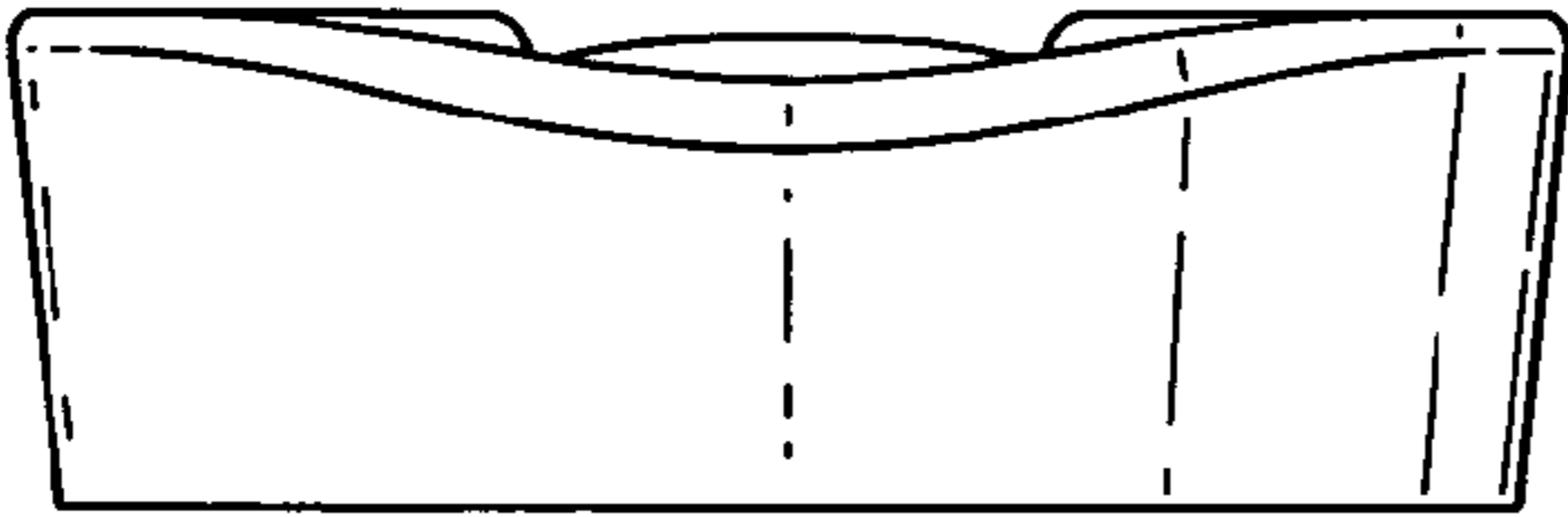


Fig. 2.

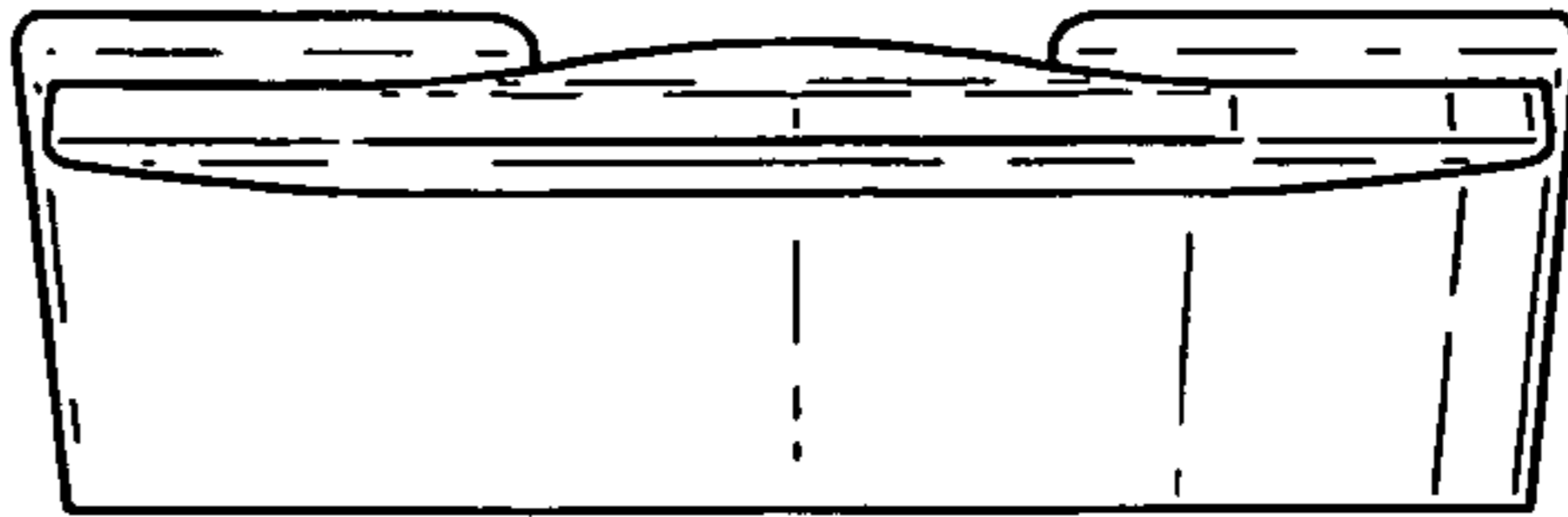


Fig. 3.

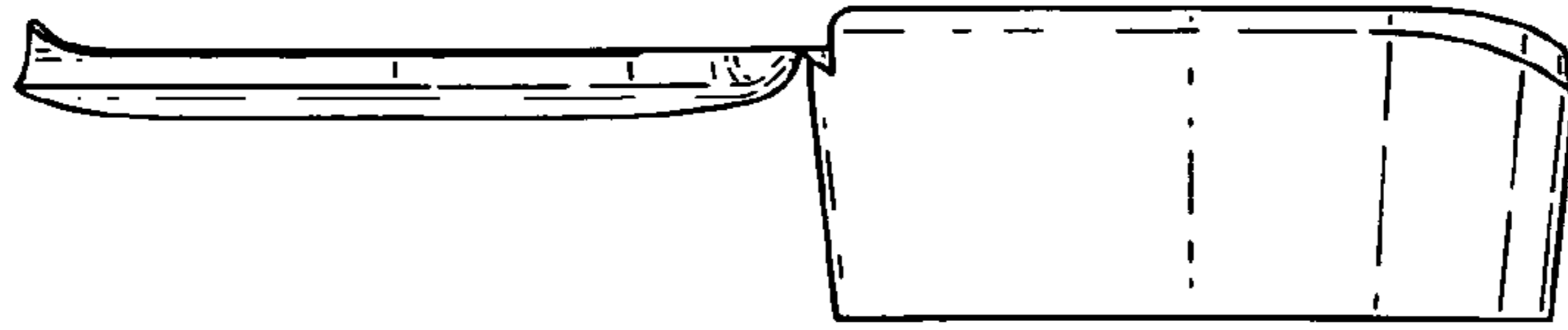


Fig.4.

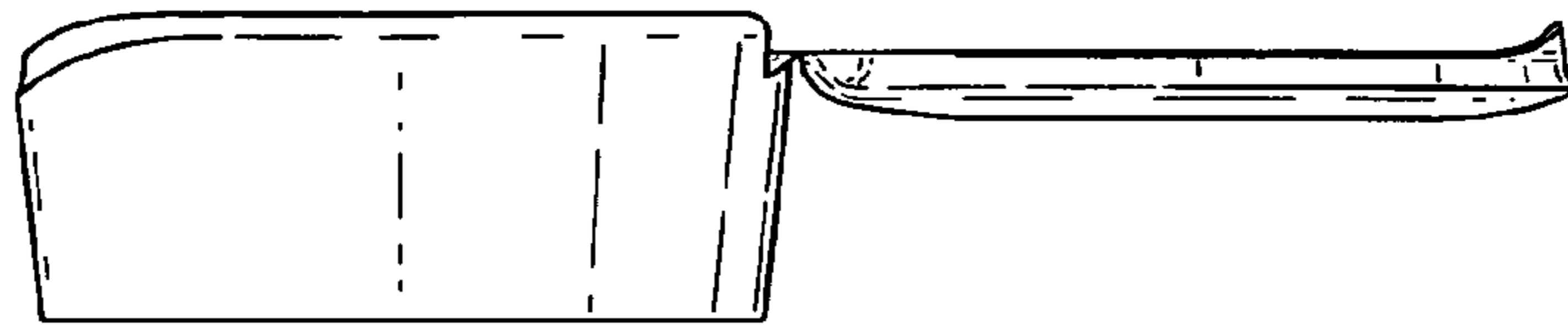


Fig.5.

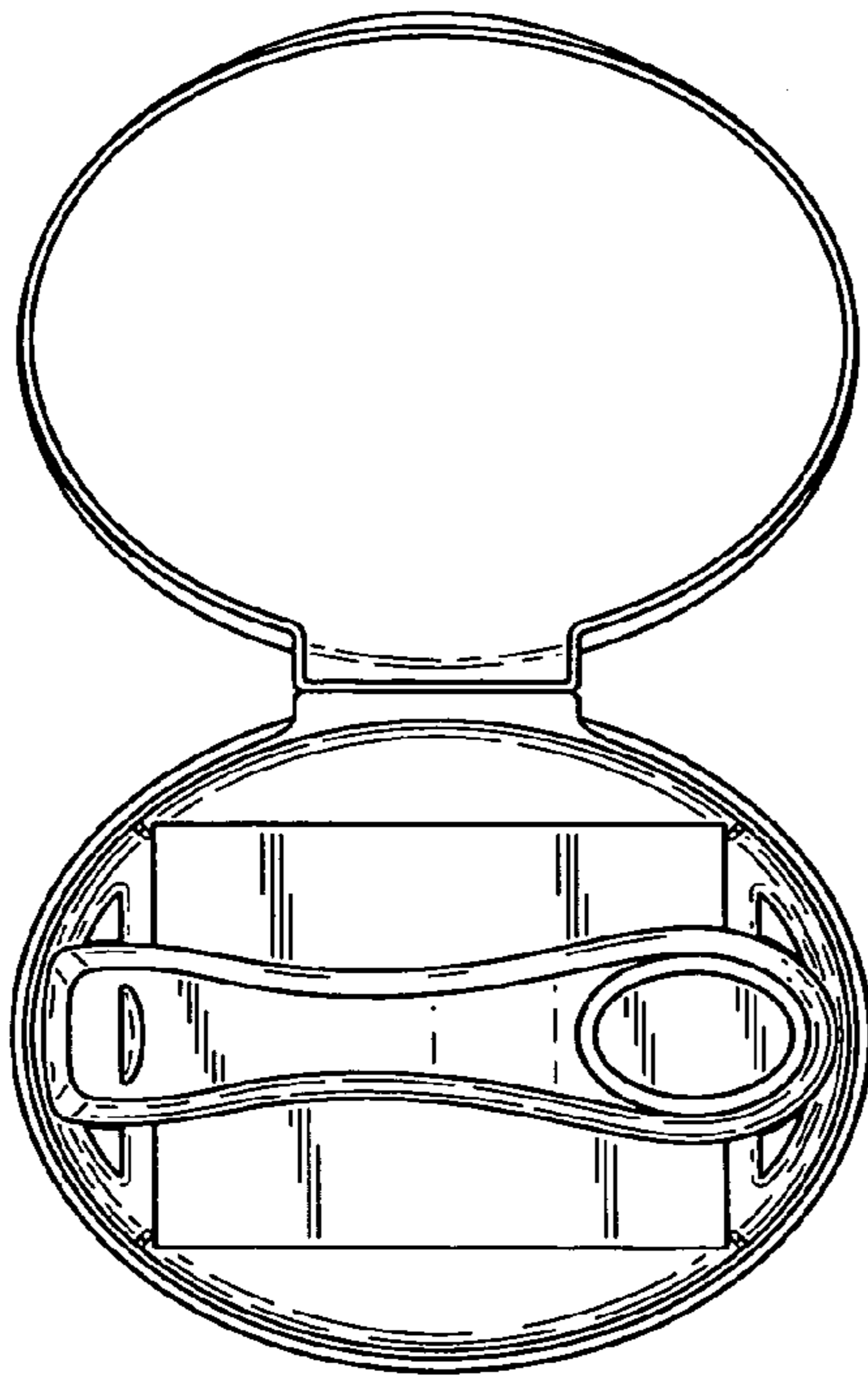


Fig.6.

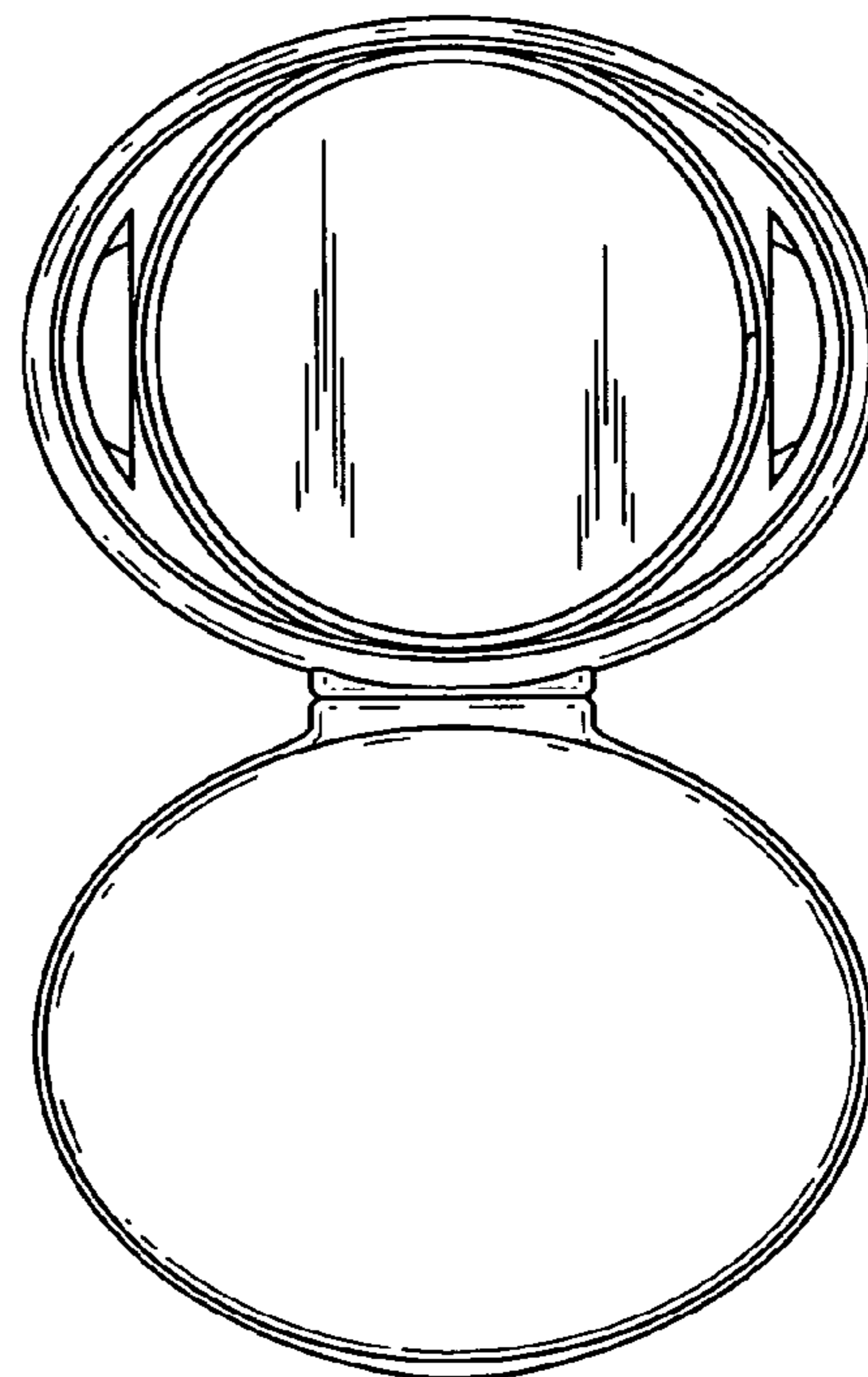


Fig.7.