

US00D595129S

(12) **United States Design Patent**
Russell et al.

(10) **Patent No.:** **US D595,129 S**
(45) **Date of Patent:** **** Jun. 30, 2009**

- (54) **BOX**
- (75) Inventors: **Carrie Lynn Russell**, Loveland, OH (US); **Denise Irene Siebert**, Franklin, OH (US); **Joseph Lawrence Napier**, Cincinnati, OH (US); **Paul Edward Backett**, Portland, OR (US)
- (73) Assignee: **The Procter & Gamble Company**, Cincinnati, OH (US)
- (**) Term: **14 Years**
- (21) Appl. No.: **29/285,223**
- (22) Filed: **Mar. 23, 2007**

3,951,329 A	4/1976	Turner	
D251,546 S *	4/1979	Larsson et al.	D9/432
D259,922 S	7/1981	Seki	
4,756,409 A	7/1988	Murray	
4,775,097 A	10/1988	Katzman	
4,852,796 A	8/1989	Katzman	
D317,718 S *	6/1991	Carol	D9/739
5,076,491 A	12/1991	Freudentahl et al.	
5,129,545 A *	7/1992	Parks	221/34
D328,799 S *	8/1992	Leonard	D26/104
5,195,677 A	3/1993	Quintana et al.	
5,238,180 A *	8/1993	Shimizu	229/162.6
5,316,177 A *	5/1994	Boldt	221/63
5,415,320 A *	5/1995	North et al.	221/63
D359,681 S *	6/1995	Murphy	D9/418

(Continued)

FOREIGN PATENT DOCUMENTS

IT EC-441001-0001 * 12/2005

(Continued)

Primary Examiner—T. Chase Nelson
Assistant Examiner—Karen Acker

(57) **CLAIM**

The ornamental design for the box, as shown and described.

DESCRIPTION

FIG. 1 is a front perspective view of a box, incorporating our new design;

FIG. 2 is a front elevational view thereof;

FIG. 3 is a rear elevational view thereof;

FIG. 4 a right side elevational view thereof;

FIG. 5 is a left side elevational view thereof;

FIG. 6 is a top plan view thereof; and,

FIG. 7 is a bottom plan view thereof.

The broken lines in the drawing represent unclaimed portions of the design. The broken lines form no part of the claimed design.

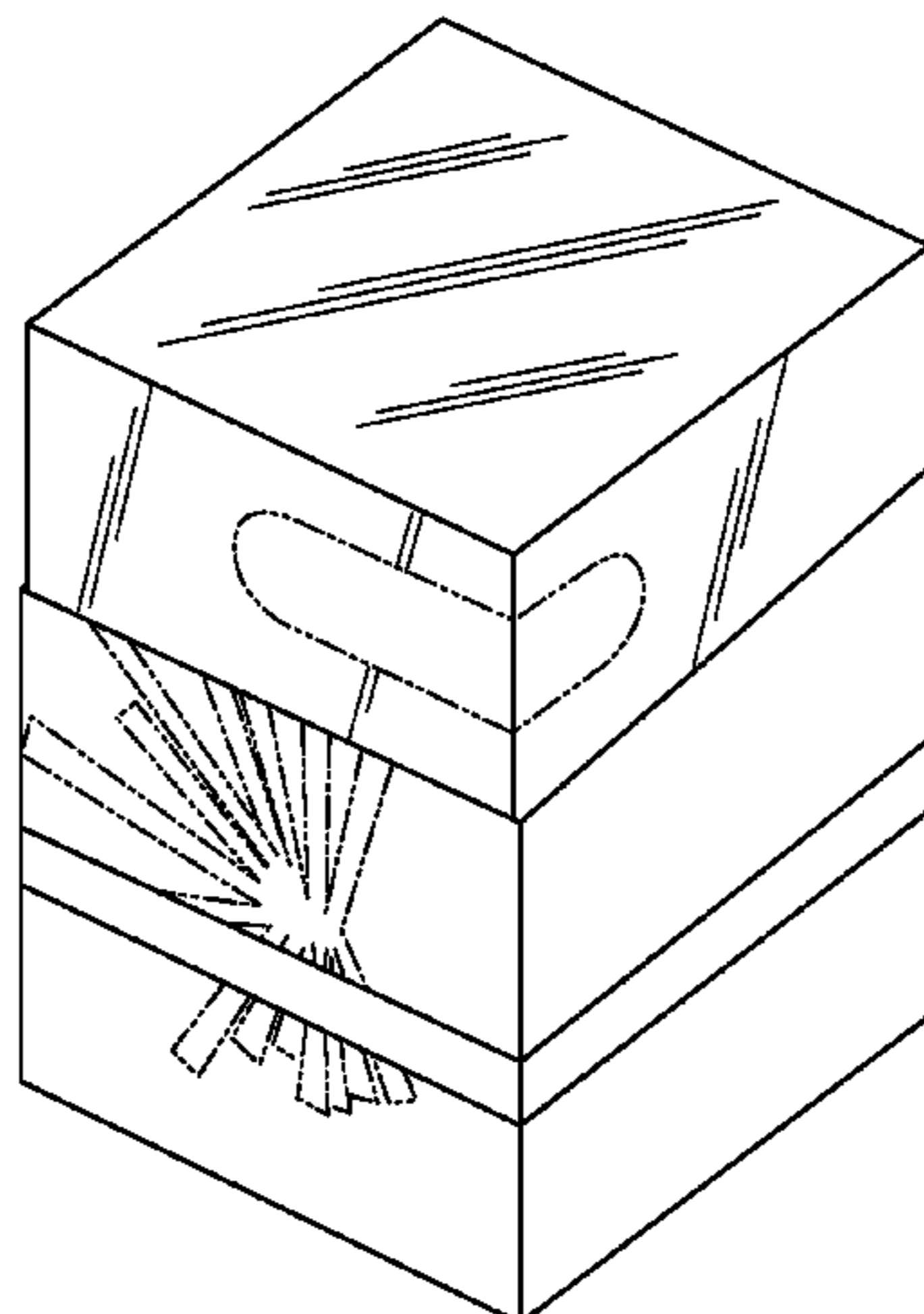
1 Claim, 4 Drawing Sheets

- (51) **LOC (9) Cl.** **09-03**
- (52) **U.S. Cl.** **D9/432**
- (58) **Field of Classification Search** D9/430-433, D9/414, 417, 420-423, 759, 416, 734; 206/45.21, 206/45.29, 476, 525.1, 526, 750, 763, 774, 206/784, 233; 229/100, 101, 103.3, 117, 229/117.01, 117.03-117.08, 120.02, 120.08, 229/120.13-120.18, 120.31, 120.37, 125.09, 229/125.15, 125.29, 126, 138, 155, 170, 229/221, 222, 247, 902, 904, 917, 933-937, 229/942; 221/25, 48, 63, 303, 305, 309
See application file for complete search history.

(56) **References Cited**

U.S. PATENT DOCUMENTS

1,262,992 A	4/1918	Stephano	
D110,869 S *	8/1938	Kovacs	D9/432
2,143,957 A	1/1939	Petter	
D113,869 S *	3/1939	Leach	D9/548
D135,294 S *	3/1943	Ost	D9/432
D155,883 S *	11/1949	Fogel	D9/418
2,500,484 A *	3/1950	Clunan	229/162.4
2,722,310 A	11/1955	Smith	
3,406,816 A	10/1968	Green et al.	
3,670,881 A	6/1972	Dutcher	
3,690,523 A *	9/1972	Link	222/538
3,935,943 A *	2/1976	Meyer et al.	229/125.015



US D595,129 S

Page 2

U.S. PATENT DOCUMENTS

5,501,323 A * 3/1996 Denesha et al. 206/278
5,505,369 A 4/1996 Taliaferro
5,630,512 A * 5/1997 Wells 206/776
D379,759 S * 6/1997 Mulry D9/418
D388,522 S * 12/1997 Pietrantonio D26/9
5,740,913 A * 4/1998 McFarland 206/494
5,746,318 A * 5/1998 Batchelor 206/494
6,047,833 A * 4/2000 Salomon 206/765
6,202,889 B1 * 3/2001 Veith 221/58
D446,717 S * 8/2001 Lancaster et al. D9/418
D450,579 S 11/2001 Lancman
D455,073 S * 4/2002 Mizrahi D9/418
D456,709 S * 5/2002 Dionisio D9/418
D459,221 S * 6/2002 Springer et al. D9/734
D464,885 S * 10/2002 Weinstein et al. D9/432
D466,804 S * 12/2002 Solland D9/418
6,533,117 B2 * 3/2003 Lundstrom et al. 206/446
D477,780 S * 7/2003 Springer et al. D9/416
6,672,475 B1 * 1/2004 Ho et al. 221/45
D505,069 S * 5/2005 Keberlein D9/416
6,959,834 B2 * 11/2005 McDonald 221/63

D514,437 S * 2/2006 Kim D9/416
7,004,313 B2 * 2/2006 Mitchell et al. 206/213.1
D518,291 S * 4/2006 Zou et al. D3/255
D519,829 S * 5/2006 Campo D9/418
D540,689 S * 4/2007 Dorfmueller D9/560
D543,450 S * 5/2007 Watzig et al. D9/418
7,213,711 B2 * 5/2007 Wang 206/776
D551,969 S * 10/2007 Aurilio et al. D9/432
D553,985 S * 10/2007 Berger D9/456
D577,294 S * 9/2008 Suxdorf D9/669
D581,805 S * 12/2008 Suxdorf D9/685
D585,273 S * 1/2009 Cardinal D9/418
D585,287 S * 1/2009 Rosinski et al. D9/526
2001/0052477 A1 * 12/2001 McNeill 206/494
2006/0049067 A1 * 3/2006 McDonald 206/233
2008/0169338 A1 * 7/2008 Han 229/103.3
2008/0203143 A1 * 8/2008 Holley 229/117.16
2008/0210704 A1 * 9/2008 Lomg et al. 221/48

FOREIGN PATENT DOCUMENTS

US EC-406756-0001 * 9/2005

* cited by examiner

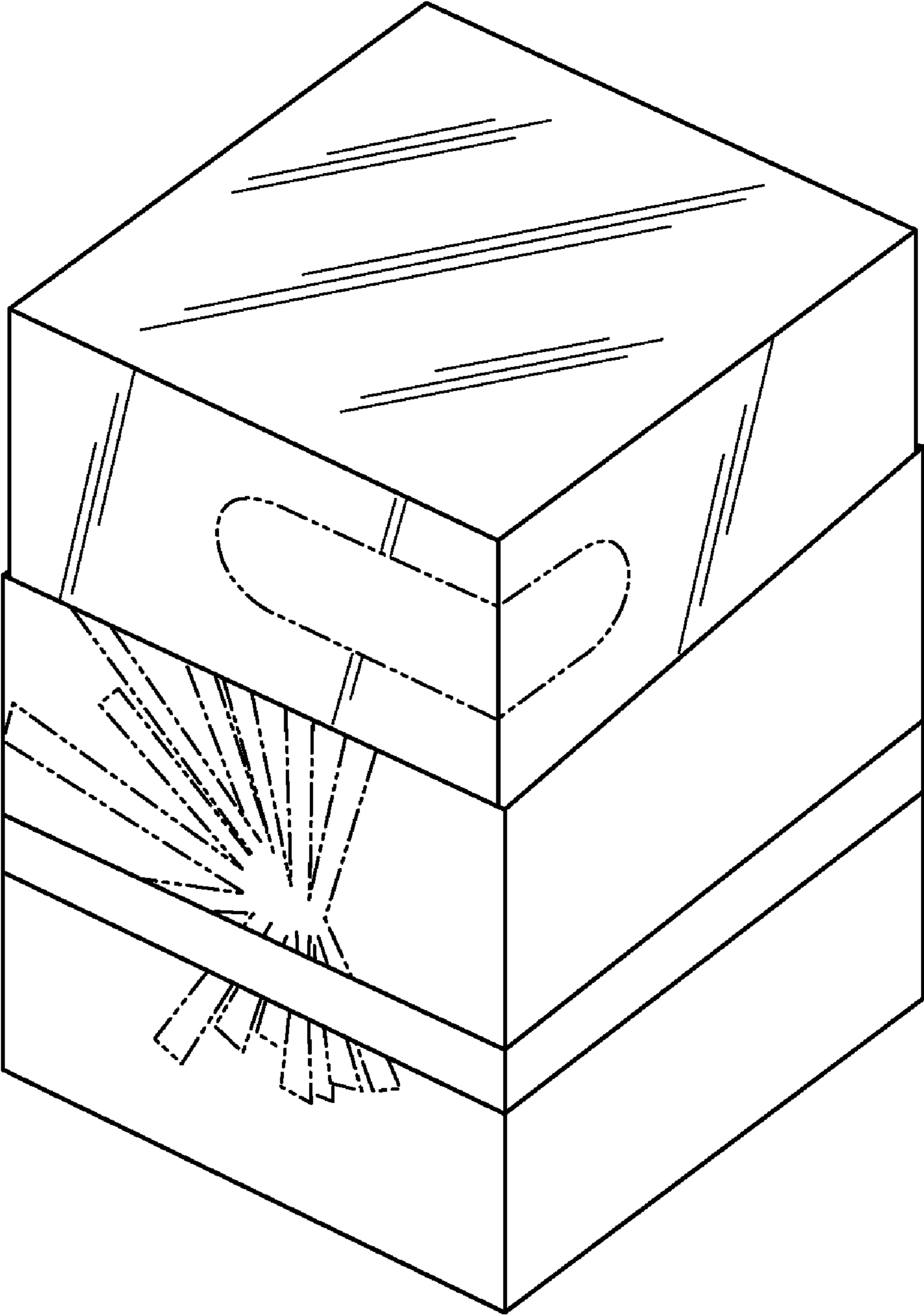


Fig. 1

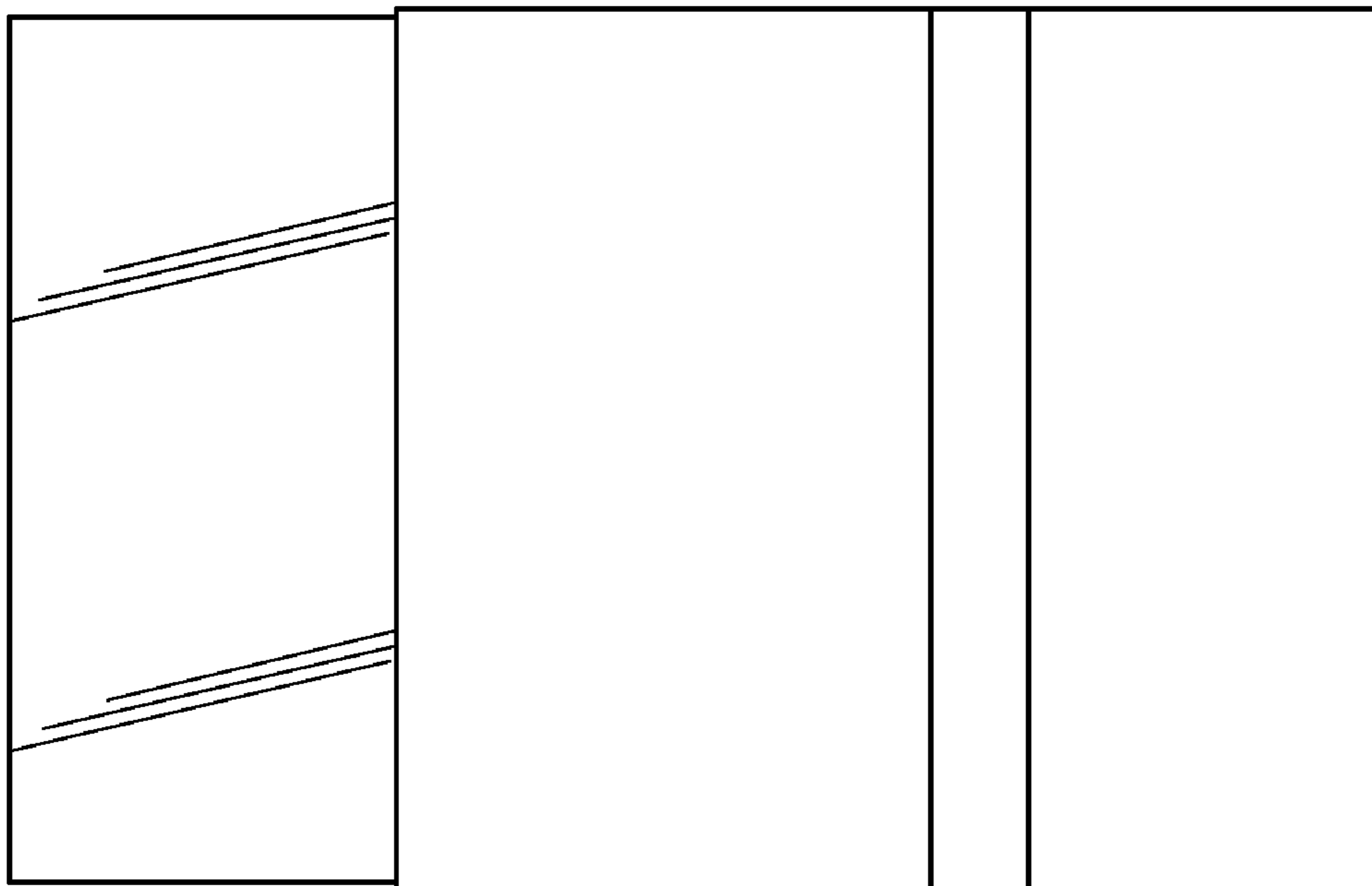


Fig. 3

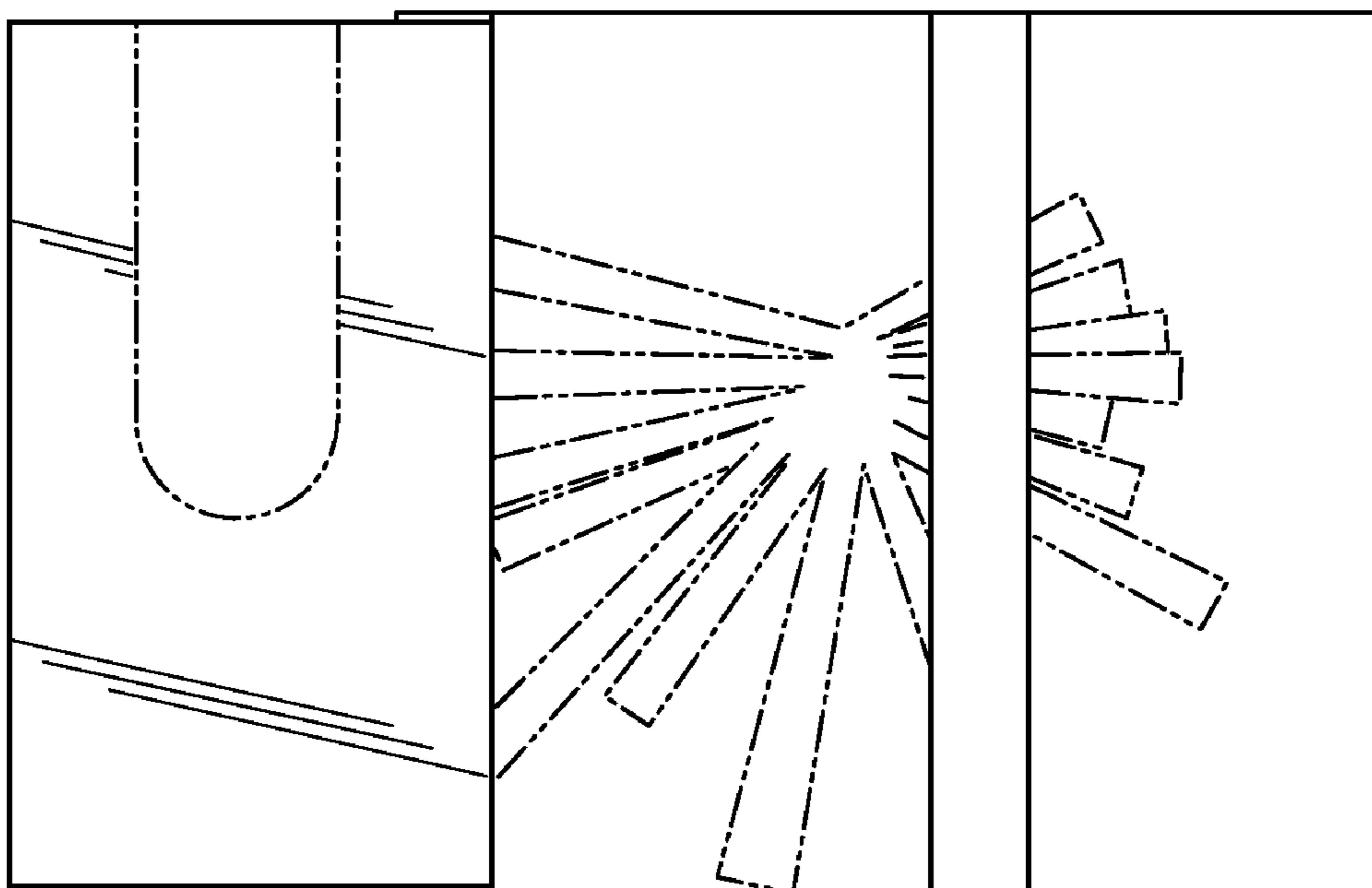


Fig. 2

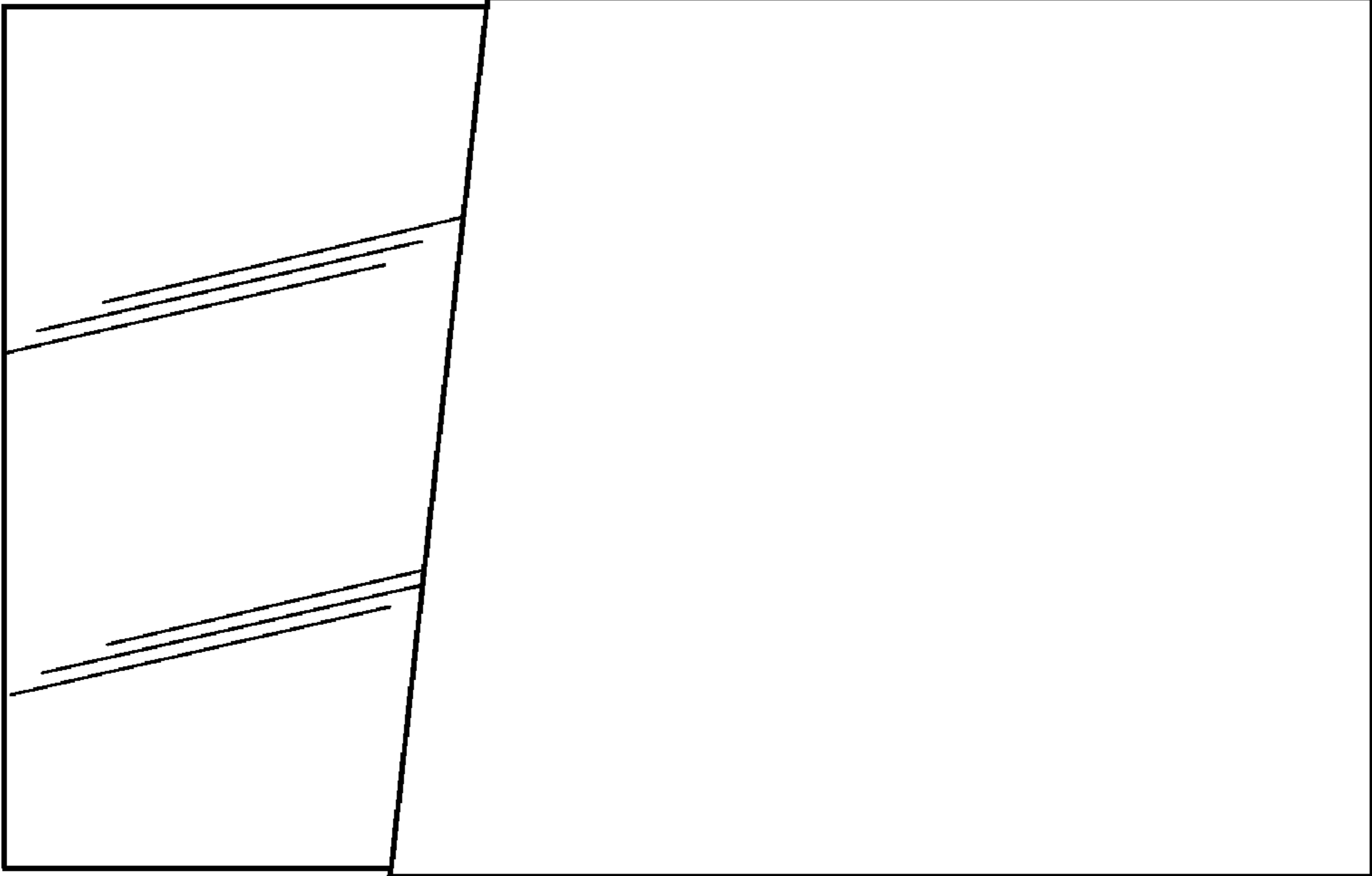


Fig. 5

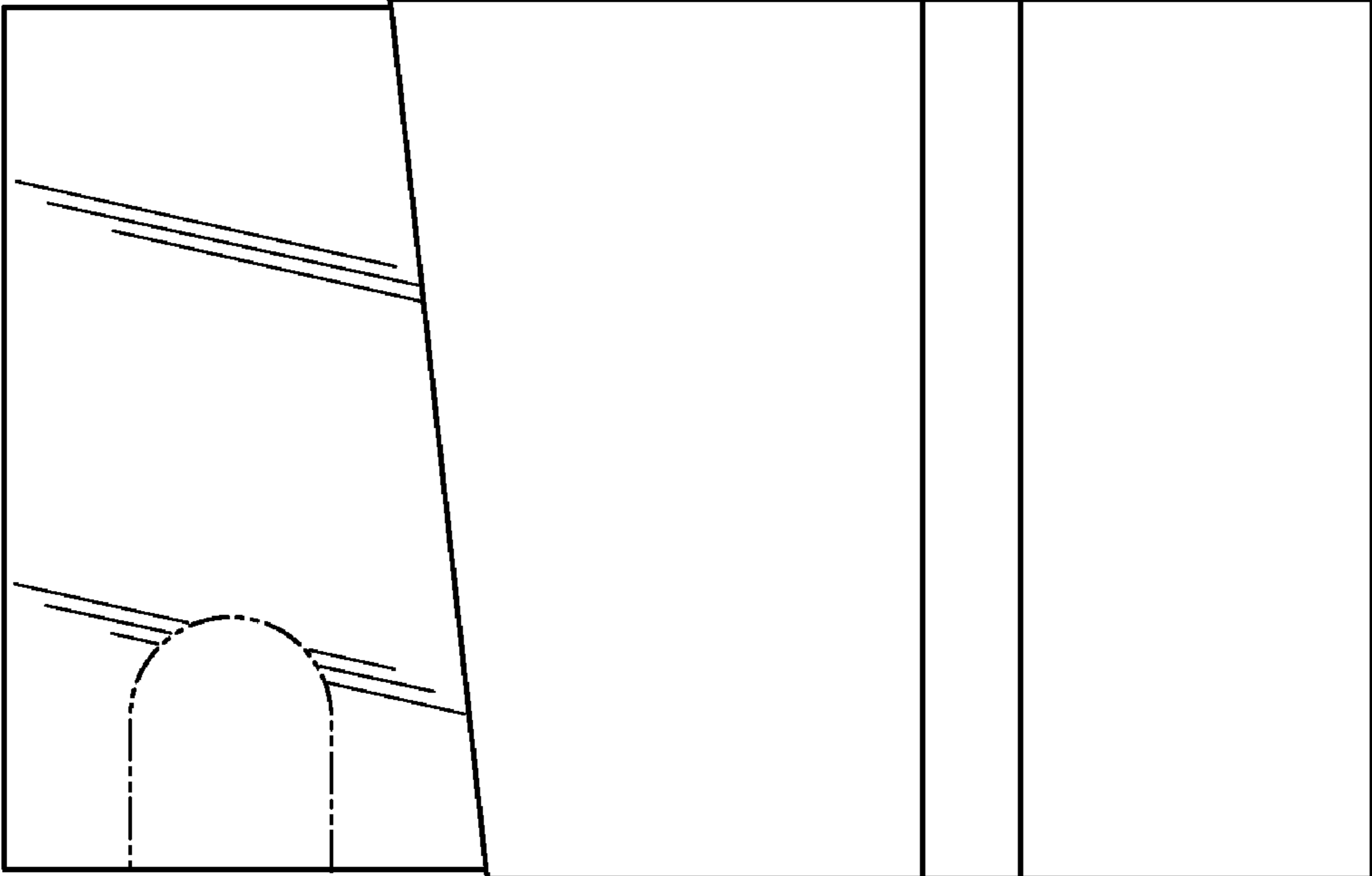


Fig. 4

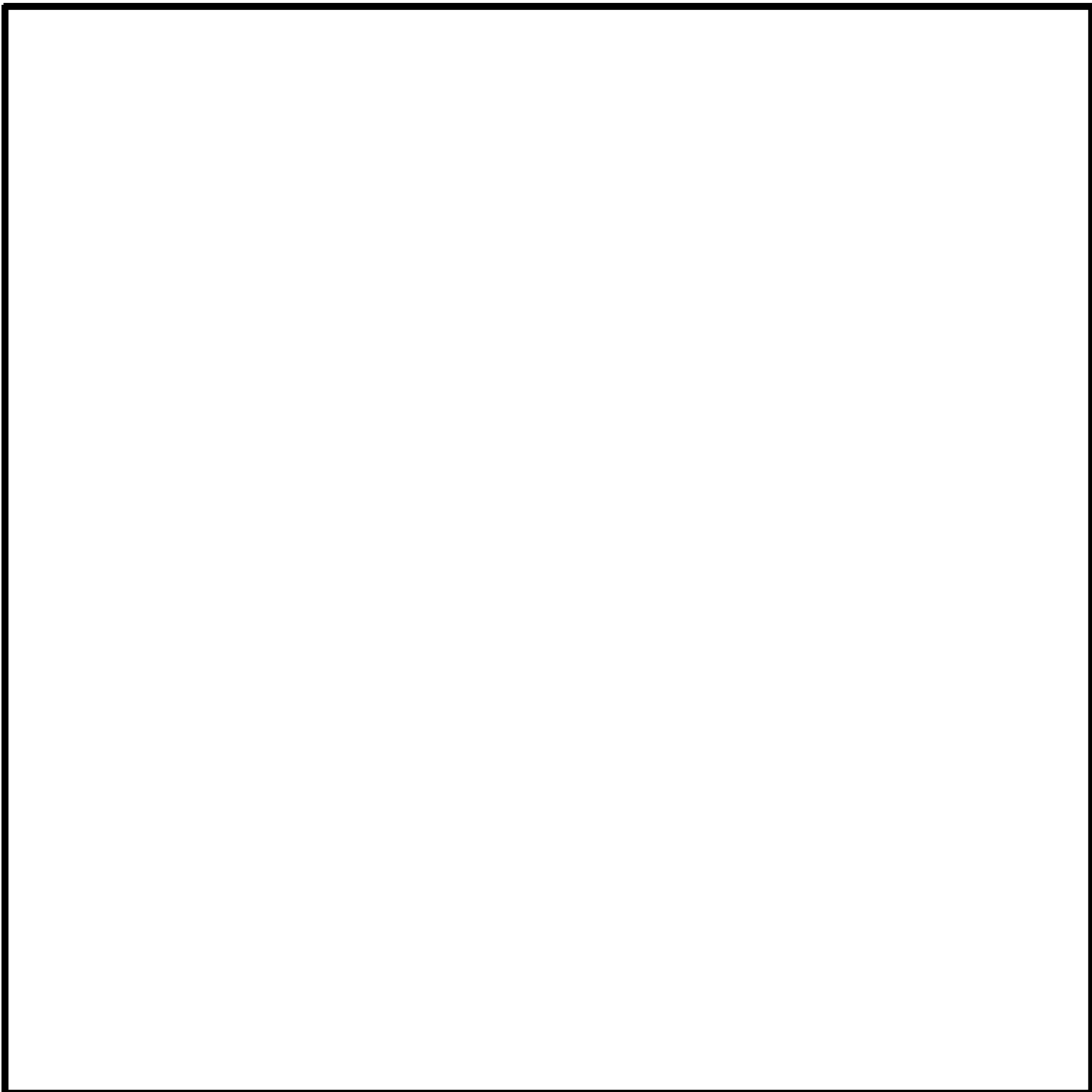


Fig. 7

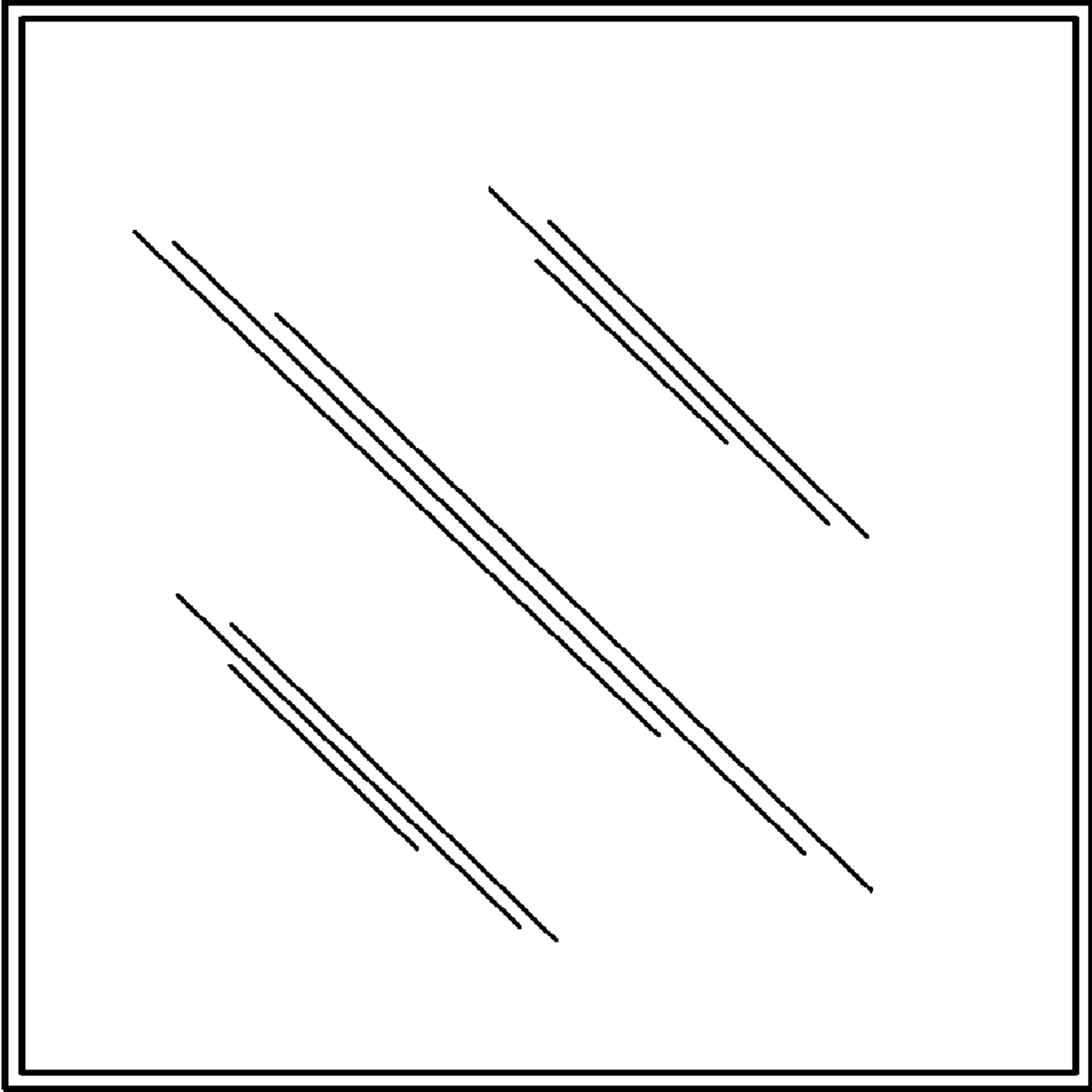


Fig. 6