



US00D595125S

(12) **United States Design Patent**
Doyle

(10) **Patent No.:** **US D595,125 S**
(45) **Date of Patent:** **** Jun. 30, 2009**

(54) **CONTAINER WITH WINDOW**

D261,479 S 10/1981 Marks

(Continued)

(75) **Inventor:** **Thomas E. Doyle**, 1050 Stockton Ct.,
Aurora, IL (US) 60504

OTHER PUBLICATIONS

(73) **Assignee:** **Thomas E. Doyle**, Aurora, IL (US)

http://alibaba.com/product-gs/101191514/tin_box_with_pvc_window.html, Date: Oct. 7, 2008.

(**) **Term:** **14 Years**

(Continued)

(21) **Appl. No.:** **29/324,730**

Primary Examiner—Philip S Hyder
Assistant Examiner—Susan E Krakower

(22) **Filed:** **Sep. 18, 2008**

(74) *Attorney, Agent, or Firm*—Foley & Lardner LLP

(51) **LOC (9) Cl.** **09-03**

(57) **CLAIM**

(52) **U.S. Cl.** **D9/418; D3/298**

I claim the ornamental design for a container with window, as shown and described.

(58) **Field of Classification Search** D9/414–424,
D9/426, 428, 430–434, 450, 454, 500–503,
D9/520–525, 542, 715, 719, 737, 759, 776–777;
D7/354, 505, 538, 540, 541–542, 545, 550.1,
D7/560, 565, 584, 586–587, 602, 629, 667;
220/4.23–4.24, 23.86, 253, 254.2–245.7,
220/351, 507, 524, 574, 574.3, 776, 780–781,
220/791–793, 825, 835, 839; 206/39, 45.24,
206/461, 501–509, 512, 538, 533–534, 771,
206/806; 229/123.2–123.3, 125.13–125.14;
428/34.1, 35.7, 36.5–36.8; D30/101, 129;
16/429; D28/76, 83; D3/294, 298, 901

DESCRIPTION

See application file for complete search history.

FIG. 1 is a perspective view of a container with window showing my new design in a closed position;

FIG. 2 is a top view thereof;

FIG. 3 is a right side view thereof;

FIG. 4 is a left side view thereof;

FIG. 5 is a front view thereof;

FIG. 6 is a rear view thereof;

FIG. 7 is a bottom view thereof;

FIG. 8 is a perspective view of the container with window in an open position;

FIG. 9 is a top view of the container with window of FIG. 8;

FIG. 10 is a right side view of the container with window of FIG. 8;

FIG. 11 is a left side view of the container with window of FIG. 8;

FIG. 12 is a front view of the container with window of FIG. 8;

FIG. 13 is a rear view of the container with window of FIG. 8; and,

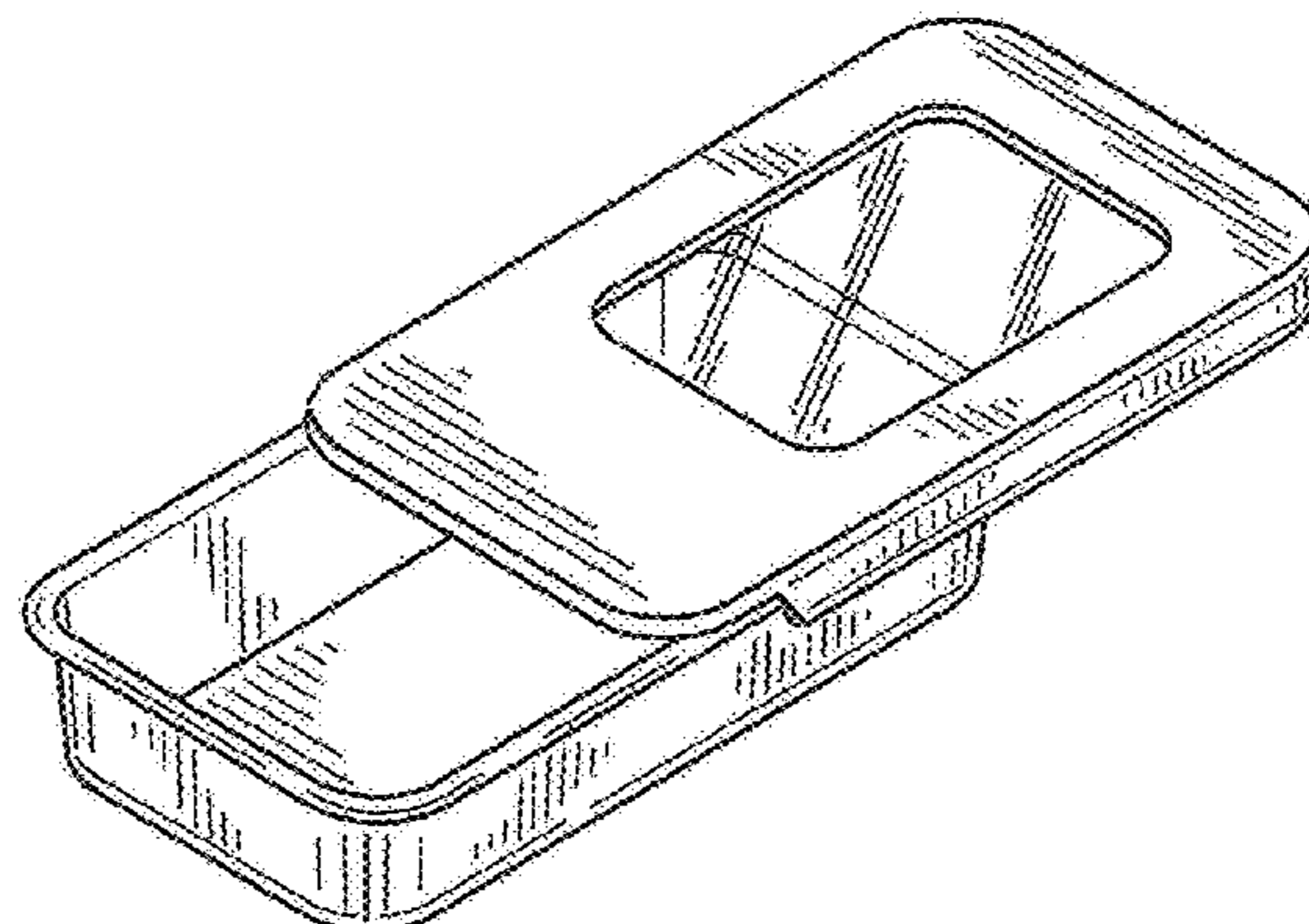
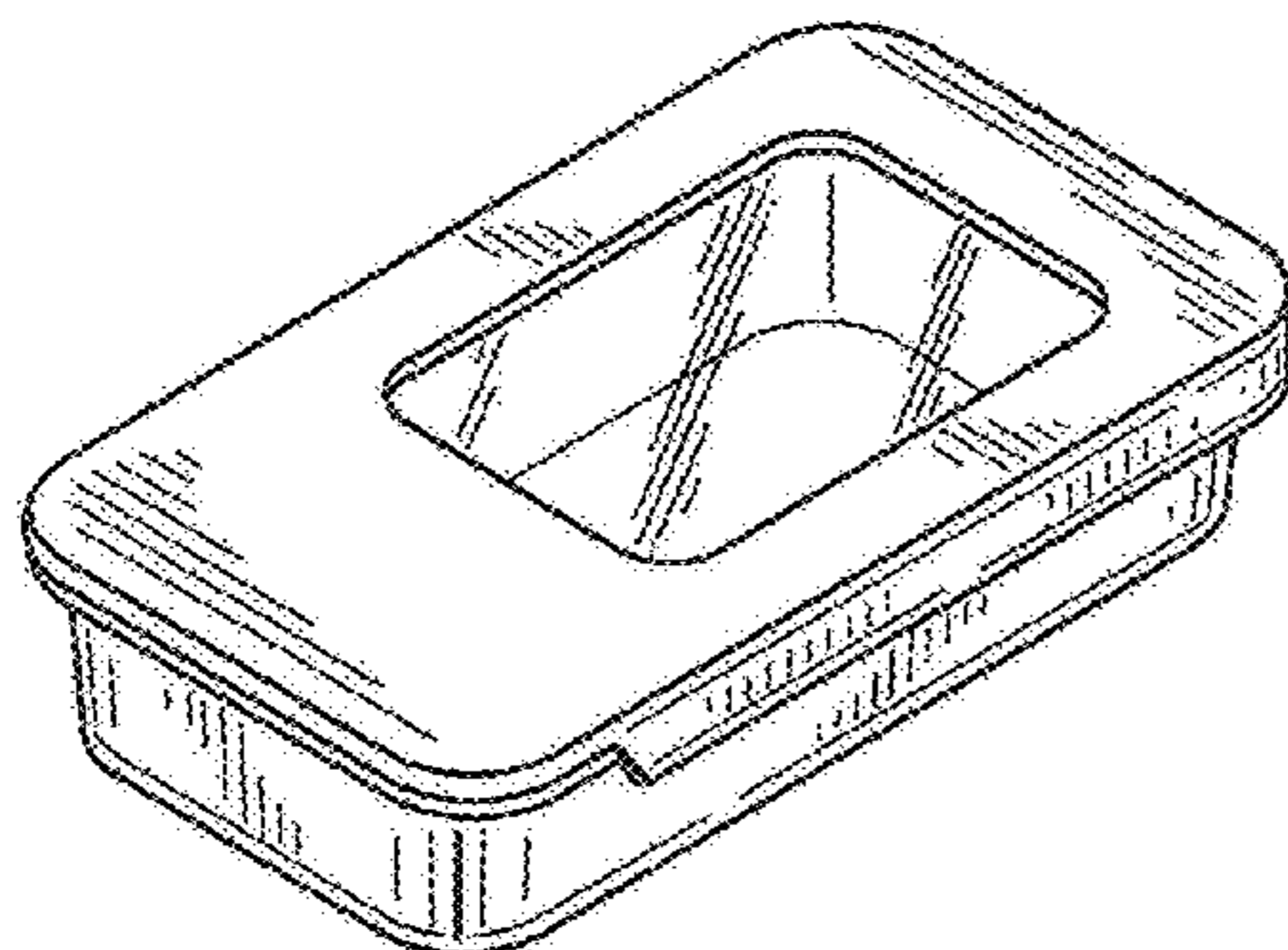
FIG. 14 is a bottom view of the container with window of FIG. 8.

(56) **References Cited**

U.S. PATENT DOCUMENTS

828,151	A *	8/1906	Upjohn	220/351
1,658,496	A *	2/1928	Qvarnstrom	206/39
2,083,356	A *	6/1937	Batdorf	220/351
D106,826	S *	11/1937	Dieffenbach	D9/418
2,102,094	A	12/1937	Romig		
2,295,747	A	9/1942	Mills		
D140,243	S	2/1945	Wemyss		
2,472,582	A	6/1949	Green		
D166,147	S *	3/1952	Dunbar	D9/759
2,711,819	A	6/1955	Vander Lugt, Jr.		
3,424,596	A	1/1969	Sullivan		
3,782,584	A	1/1974	Swenson et al.		
D232,525	S *	8/1974	Caveney	D9/418
D254,479	S	3/1980	Eilertson		

1 Claim, 4 Drawing Sheets



US D595,125 S

Page 2

U.S. PATENT DOCUMENTS

4,327,832 A 5/1982 de Matteo
4,342,403 A 8/1982 Badtke et al.
4,691,456 A * 9/1987 Ackeret 40/721
D310,966 S * 10/1990 Speers D9/418
D378,020 S 2/1997 Hatt
D387,982 S 12/1997 Kaplan
D407,972 S 4/1999 Hilton
D465,729 S * 11/2002 Nishimura D9/422
D479,462 S * 9/2003 Chan D9/422
D484,409 S * 12/2003 Haggerty et al. D9/432
D484,542 S 12/2003 Hassell
D499,019 S 11/2004 Sagmeister et al.
D507,968 S * 8/2005 Dixon et al. D9/422
D522,356 S * 6/2006 Liebe D9/426

D522,855 S 6/2006 Liebe et al.
D535,874 S * 1/2007 Tanner D9/422
D546,109 S 7/2007 Doyle
D567,077 S * 4/2008 Jackel D9/418
2004/0217116 A1 11/2004 Offerman et al.

OTHER PUBLICATIONS

[http://alibaba.com/product-gs/51475854/
tin_box_with_pvc_window.html](http://alibaba.com/product-gs/51475854/tin_box_with_pvc_window.html), Date: Oct. 7, 2008.
[http://alibaba.com/product-gs/51563586/
tin_box_with_pvc_window.html](http://alibaba.com/product-gs/51563586/tin_box_with_pvc_window.html), Date: Oct. 7, 2008.
[http://alibaba.com/product-gs/201252071/
tin_box_with_pvc_window.html](http://alibaba.com/product-gs/201252071/tin_box_with_pvc_window.html), Date: Oct. 7, 2008.

* cited by examiner

FIG. 1

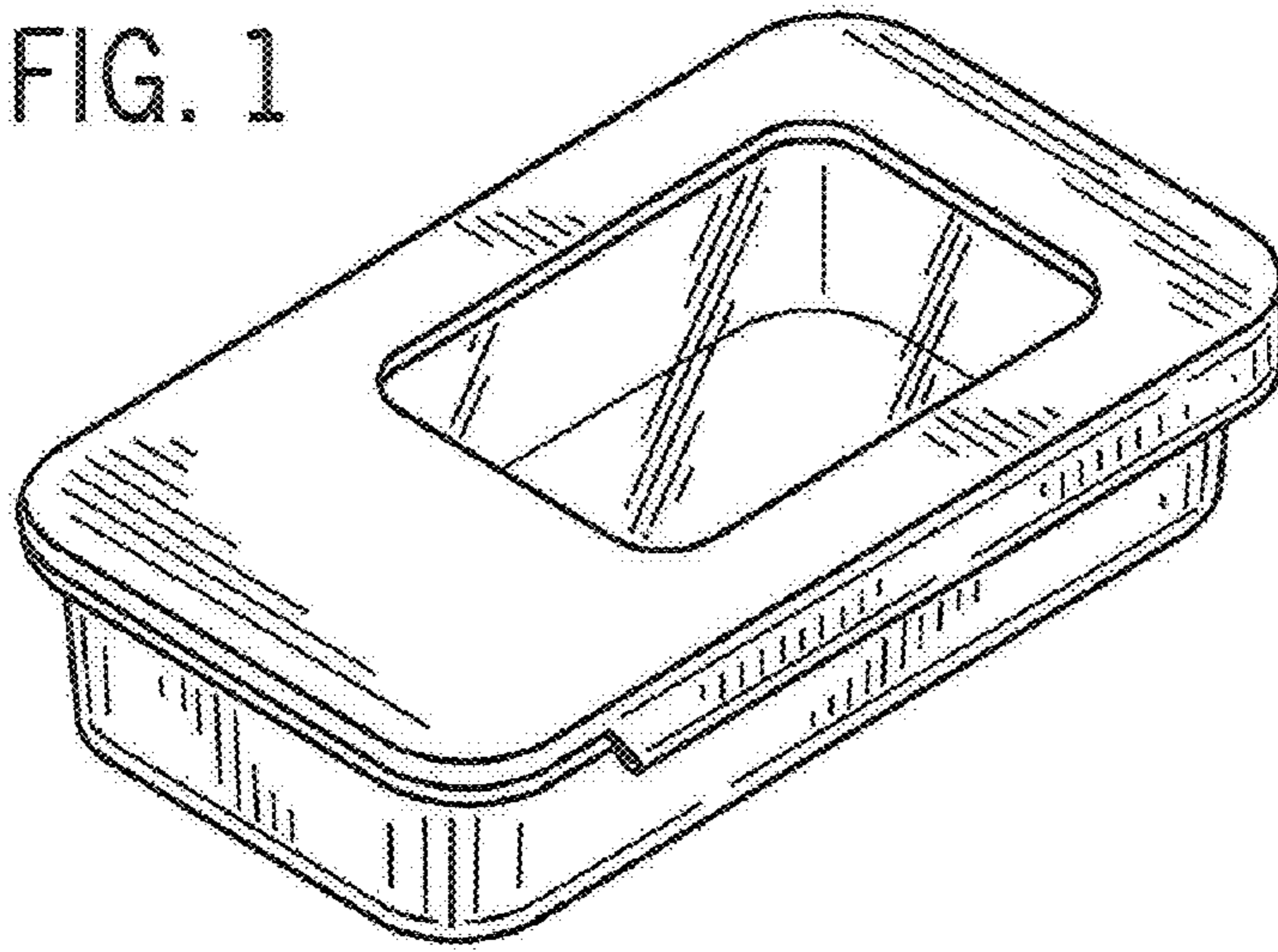


FIG. 2

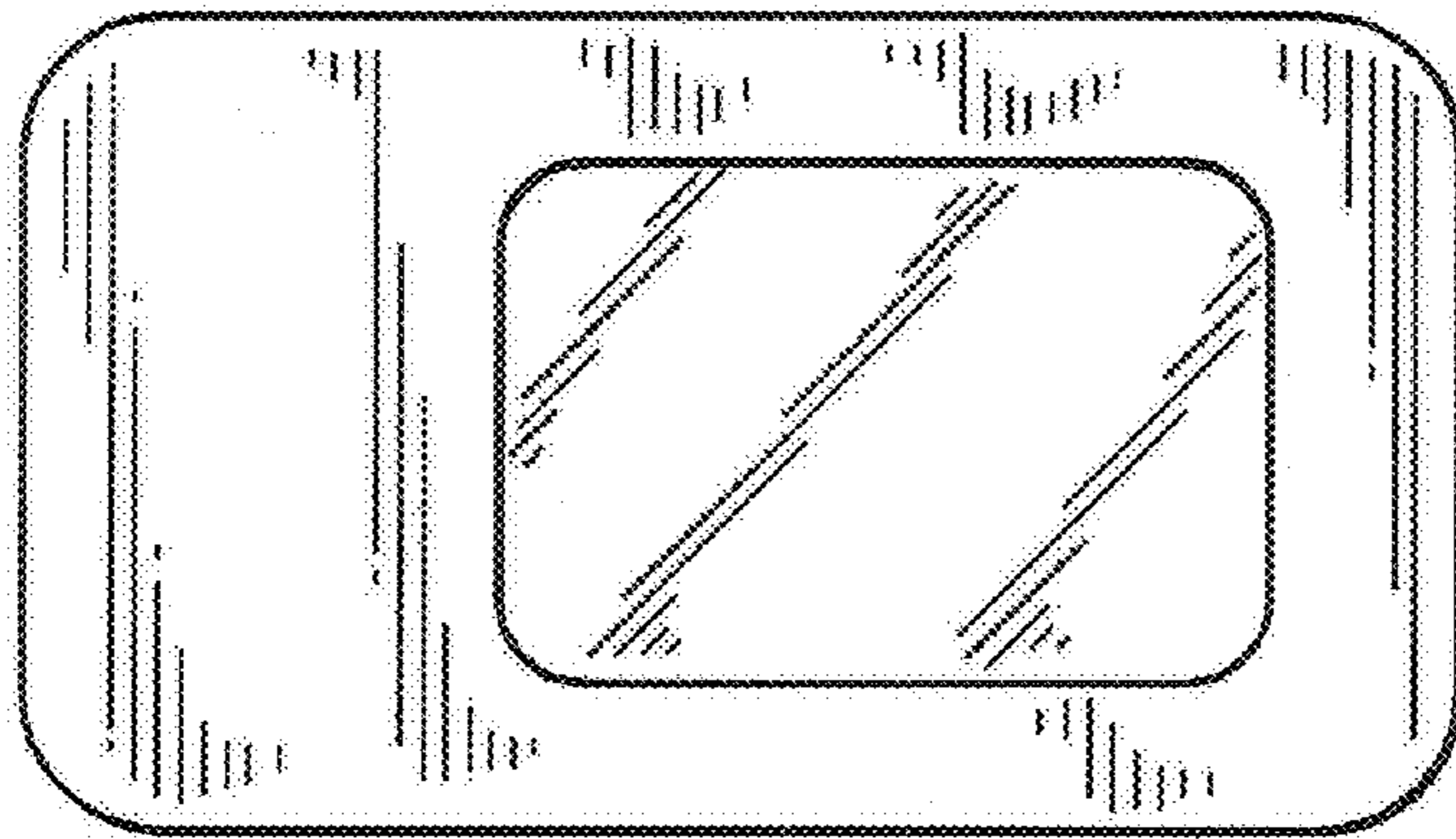


FIG. 3

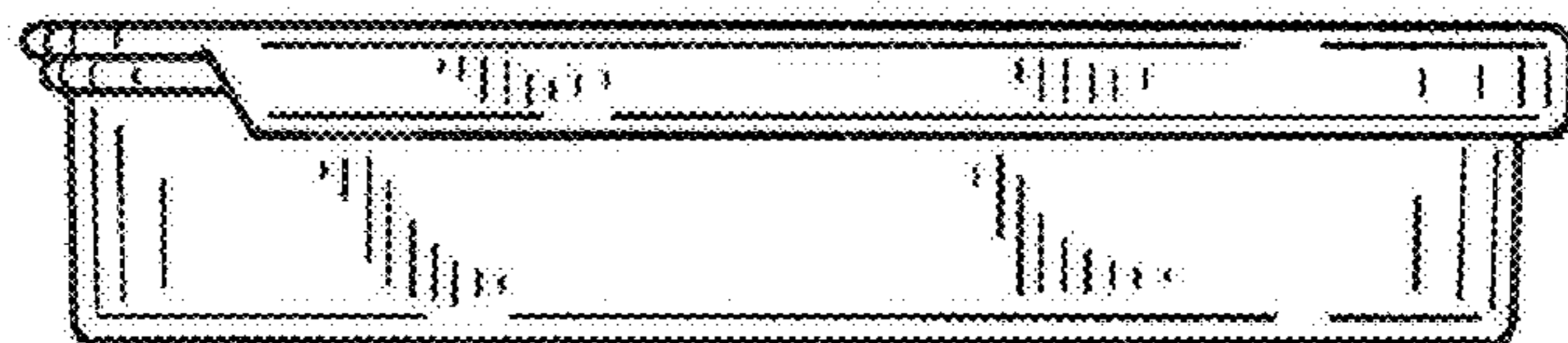


FIG. 4

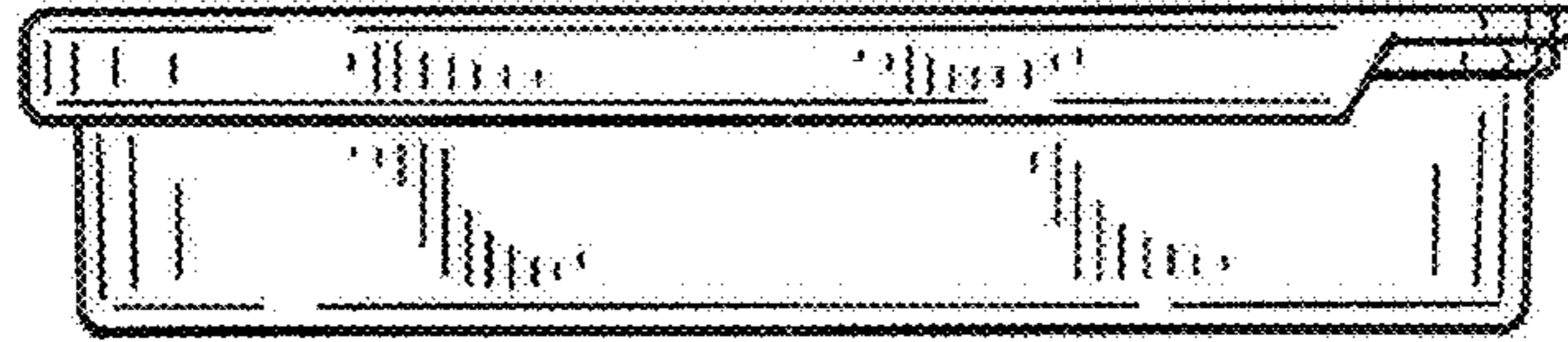


FIG. 5

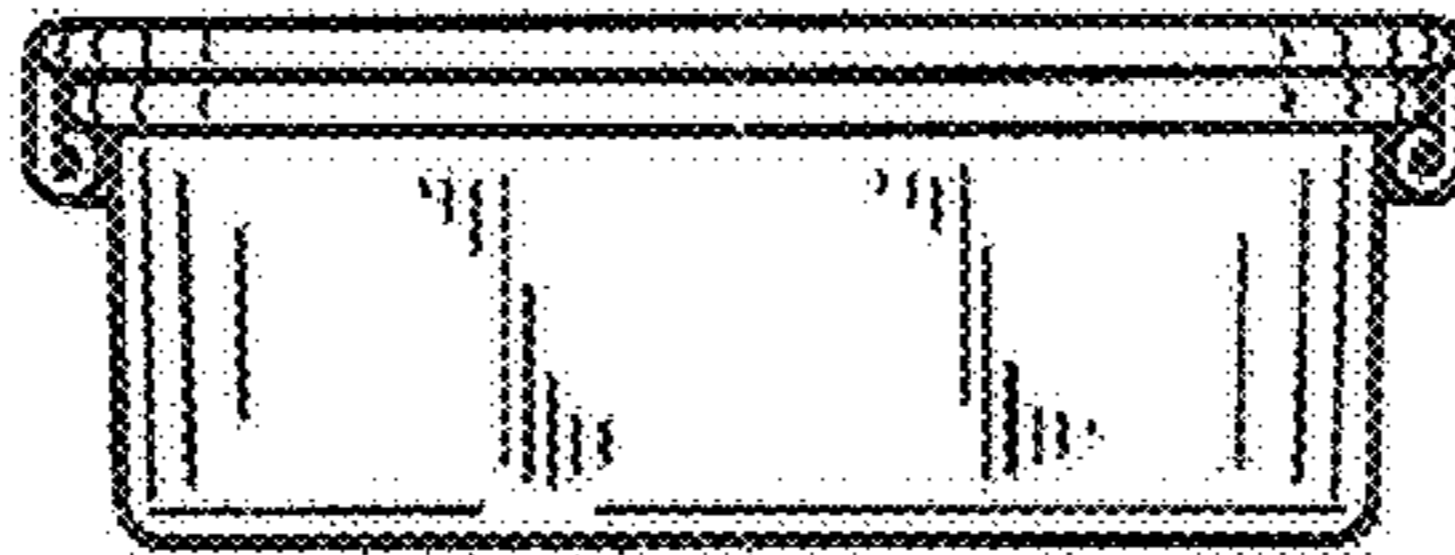


FIG. 6

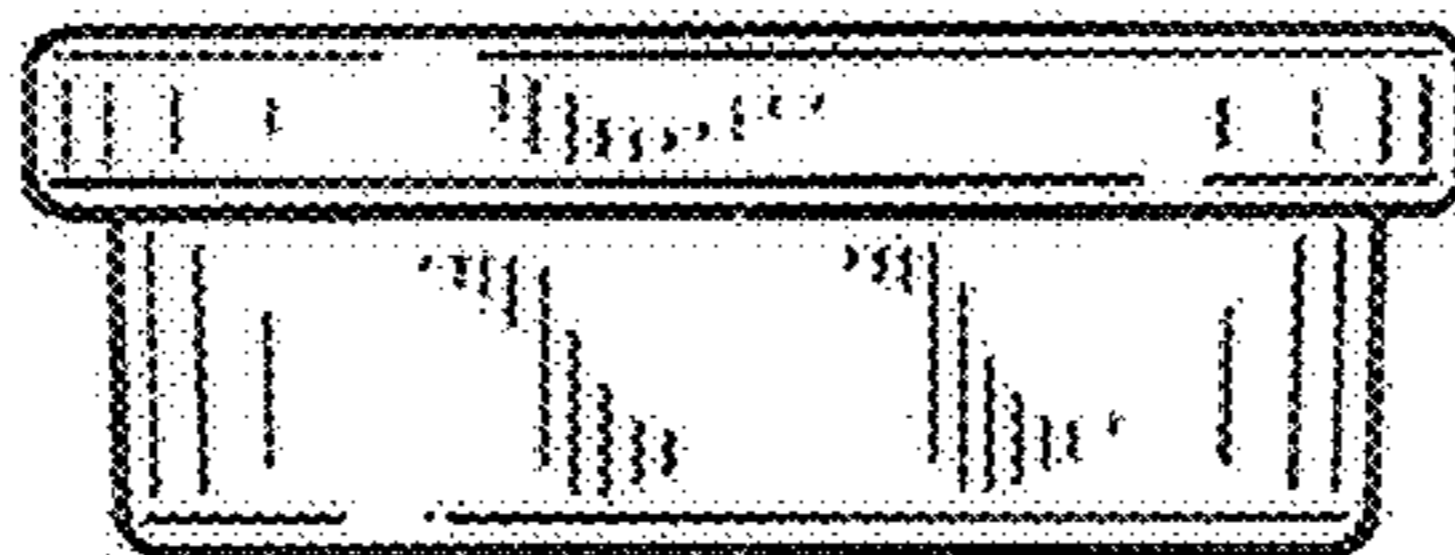


FIG. 7

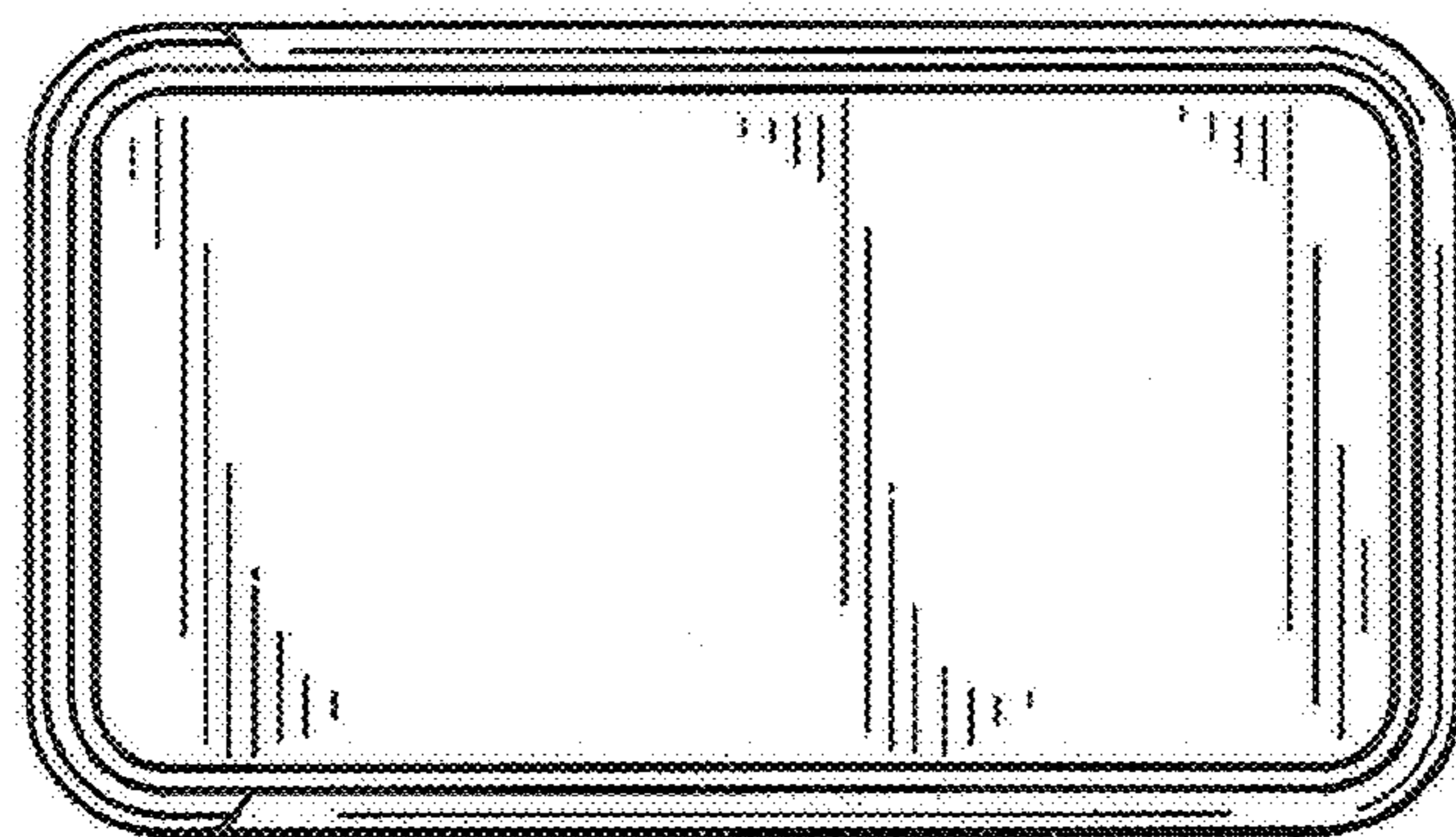


FIG. 8

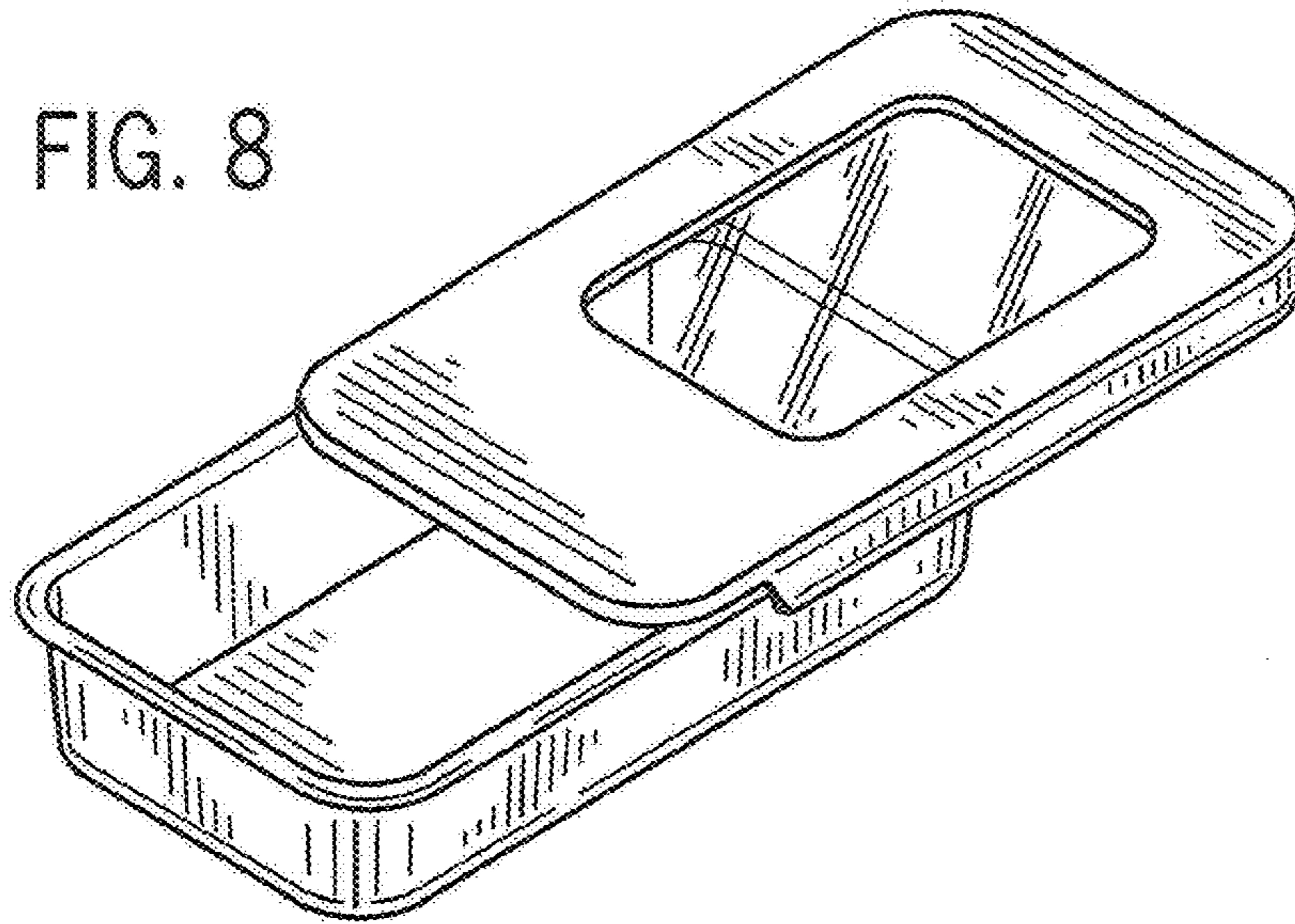


FIG. 9

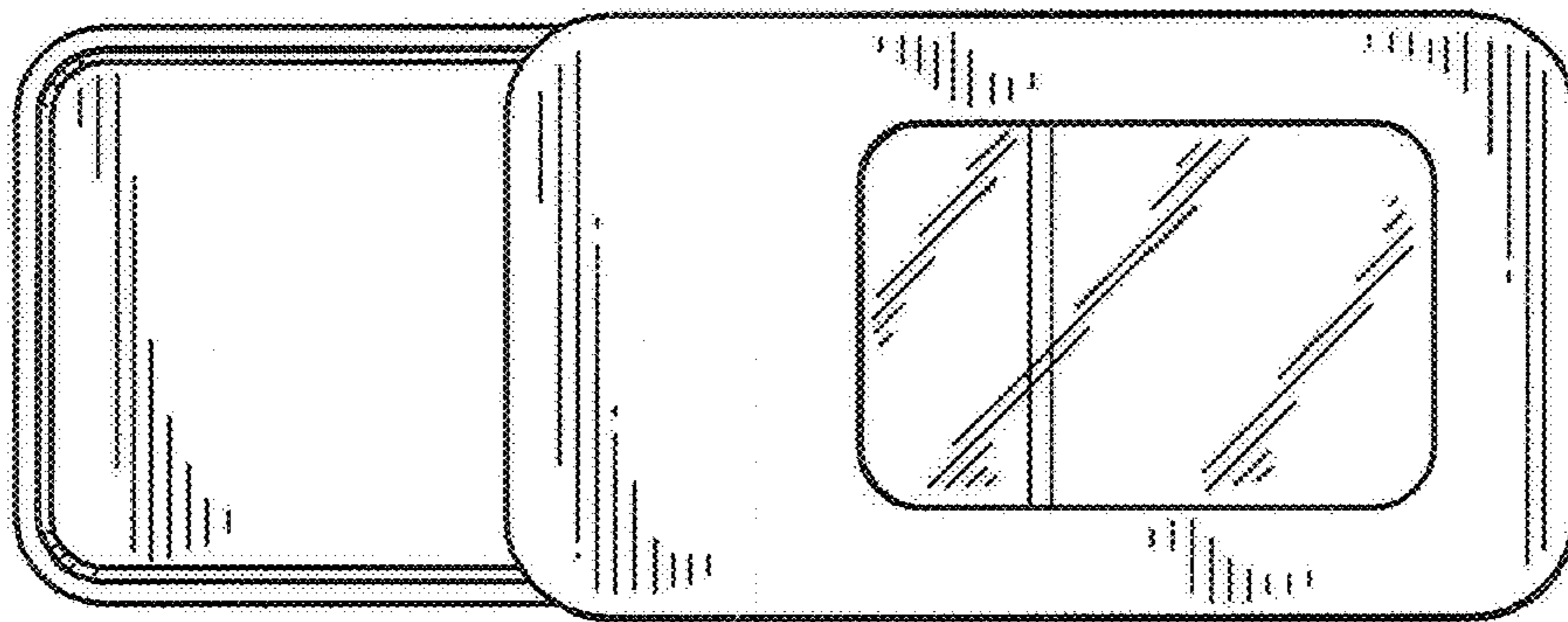


FIG. 10

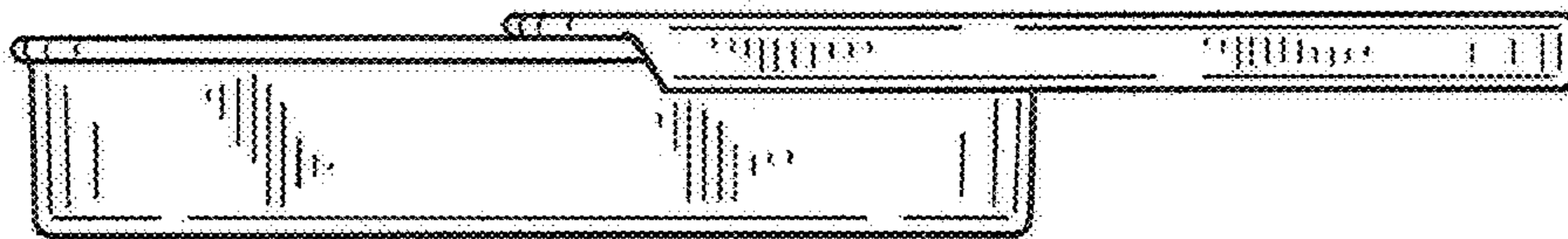




FIG. 11



FIG. 12



FIG. 13

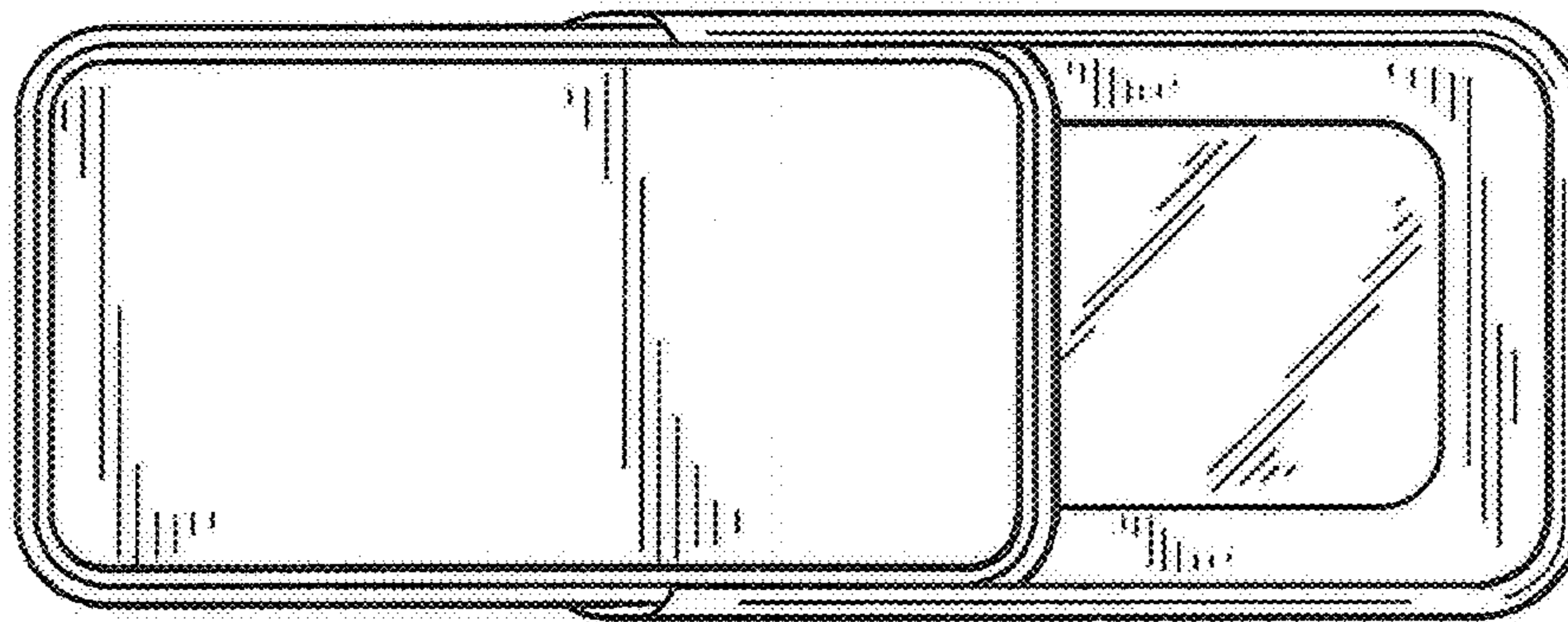


FIG. 14