



US00D595119S

(12) **United States Design Patent**
Kelleghan

(10) **Patent No.:** **US D595,119 S**
(45) **Date of Patent:** **** Jun. 30, 2009**

(54) **CARABINER**

D468,997 S 1/2003 Chang

(75) Inventor: **Brian James Kelleghan**, Longmont, CO
(US)

(Continued)

(73) Assignee: **Bison Designs, LLC**, Longmont, CO
(US)

FOREIGN PATENT DOCUMENTS

EP 345176 A1 * 12/1989

(**) Term: **14 Years**

(Continued)

(21) Appl. No.: **29/321,706**

OTHER PUBLICATIONS

(22) Filed: **Jul. 22, 2008**

Cyclops Scan of Applicant's website showing prior art carabiner sold by Applicant. Carabiner shown is to current design by Applicant, sheet is dated Apr. 14, 2008: <http://www.bisondesigns.com/mm5/images/13CY.jpg>.

(51) **LOC (9) Cl.** **08-05**

(52) **U.S. Cl.** **D8/356**

(58) **Field of Classification Search** D8/105,
D8/107, 333, 349, 354, 356, 358, 360, 360.1,
D8/367, 373, 382, 383, 394-396, 400; D13/153,
D13/154; 24/18, 115 R, 197, 561, 573.11,
24/581.12, 582.13, 583.1; 52/220.7; 174/66,
174/135, 153 G, 650, 656; 242/400.1, 405.1,
242/405.2, 600, 603; 248/65, 74.1-74.4,
248/201, 214, 215, 229.26; 439/92-108,
439/501, 535; 294/26, 82.19, 82.2; D11/200,
D11/201, 215; 182/5
See application file for complete search history.

(Continued)

Primary Examiner—T. Chase Nelson

Assistant Examiner—Karen Acker

(74) *Attorney, Agent, or Firm*—Margert Polson; Oppedahl Patent Law Firm LLC

(57)

CLAIM

I claim the ornamental design for the carabiner, as shown and described.

(56) **References Cited**

U.S. PATENT DOCUMENTS

751,643	A *	2/1904	Hentgen	70/459
D271,465	S	11/1983	Boissonnet	
D272,392	S *	1/1984	Bigelow	D8/354
D282,904	S	3/1986	Faidide	
5,187,844	A *	2/1993	Simond	24/599.5
5,384,943	A *	1/1995	LeFebvre et al.	24/600.1
D364,552	S	11/1995	Mathiassen	
D391,473	S	3/1998	Striebel	
D407,297	S *	3/1999	Mihailovic	D8/367
5,878,834	A *	3/1999	Brainerd et al.	182/3
D443,370	S	6/2001	Yu	
D455,642	S	4/2002	Kelleghan	
D461,312	S	8/2002	Proot et al.	
D466,791	S	12/2002	Kelleghan	
D467,156	S *	12/2002	Bishop	D8/356

DESCRIPTION

FIG. 1 is a top plan view of my new design for a carabiner.

FIG. 2 is a bottom plan view of FIG. 1.

FIG. 3 is a left side elevation view of FIG. 1.

FIG. 4 is a right side elevation view of FIG. 1.

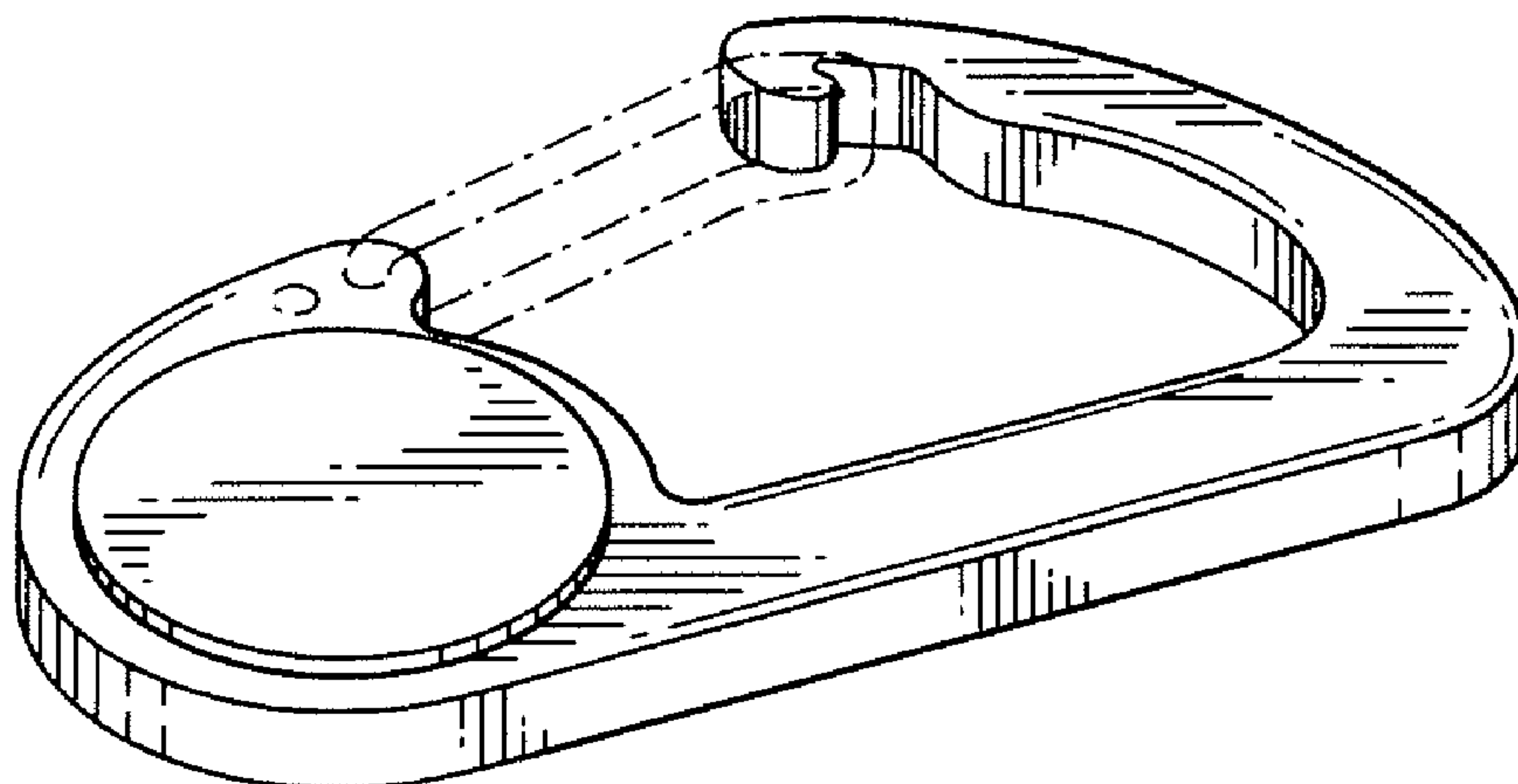
FIG. 5 is a front side elevation view of FIG. 1.

FIG. 6 is rear side elevation view of FIG. 1; and,

FIG. 7 is a top perspective view of FIG. 1.

The broken lines in the drawings represent gates which are included to show the carabiner in a condition of use and form no part of the claimed design.

1 Claim, 1 Drawing Sheet



US D595,119 S

Page 2

U.S. PATENT DOCUMENTS

D469,023 S 1/2003 Mah
6,527,434 B1 3/2003 Fox et al.
D475,591 S * 6/2003 Luquire D8/34
D475,605 S 6/2003 Kelleghan
D478,823 S 8/2003 Kelleghan
D485,431 S * 1/2004 Hsu D3/210
D504,306 S * 4/2005 Chisolm D8/356
D530,184 S * 10/2006 Oas D8/333
D537,369 S 2/2007 Bao
D546,159 S 7/2007 Kushner
D551,788 S 9/2007 Bao
D553,480 S 10/2007 Kelleghan
D564,341 S 3/2008 Kelleghan
7,353,571 B2 4/2008 Goldberg
D568,127 S 5/2008 Oas

D570,420 S 6/2008 Brookins
D577,283 S * 9/2008 Nishida et al. D8/367
2006/0179784 A1 * 8/2006 Chen 52/698
2008/0016659 A1 1/2008 Peterson
2008/0302311 A1 12/2008 Blocker
2008/0306496 A1 12/2008 Regner

FOREIGN PATENT DOCUMENTS

JP 2008-232154 10/2008

OTHER PUBLICATIONS

U.S. Appl. No. 29/302,639 filed Jan. 21, 2008; Inventor: Brian James Kelleghan.

U.S. Appl. No. 29/325,172 filed Sep. 26, 2008; Inventor: Brian James Kelleghan.

* cited by examiner

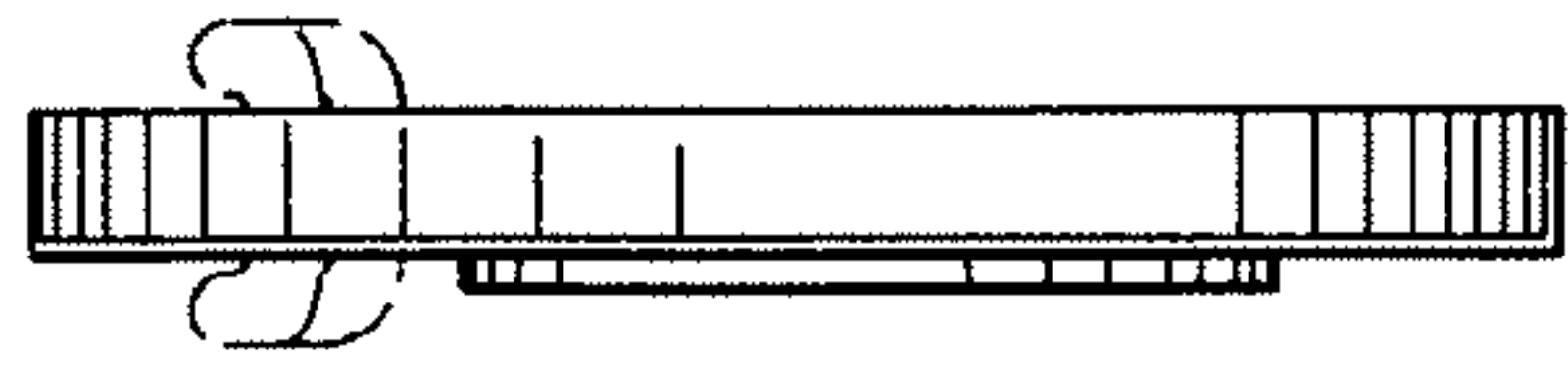


FIG. 5

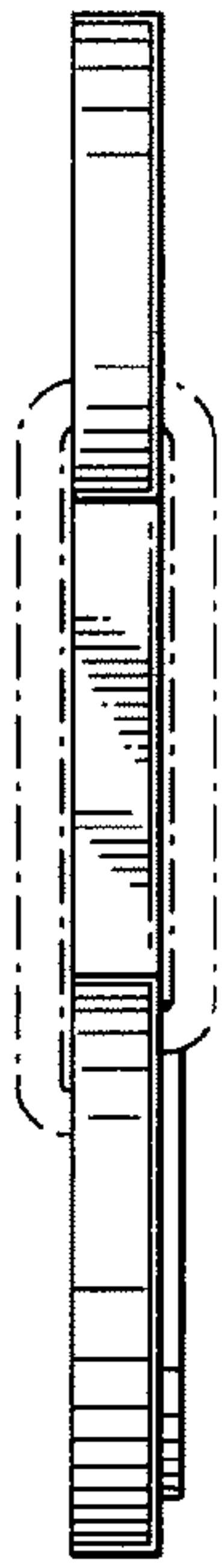


FIG. 3

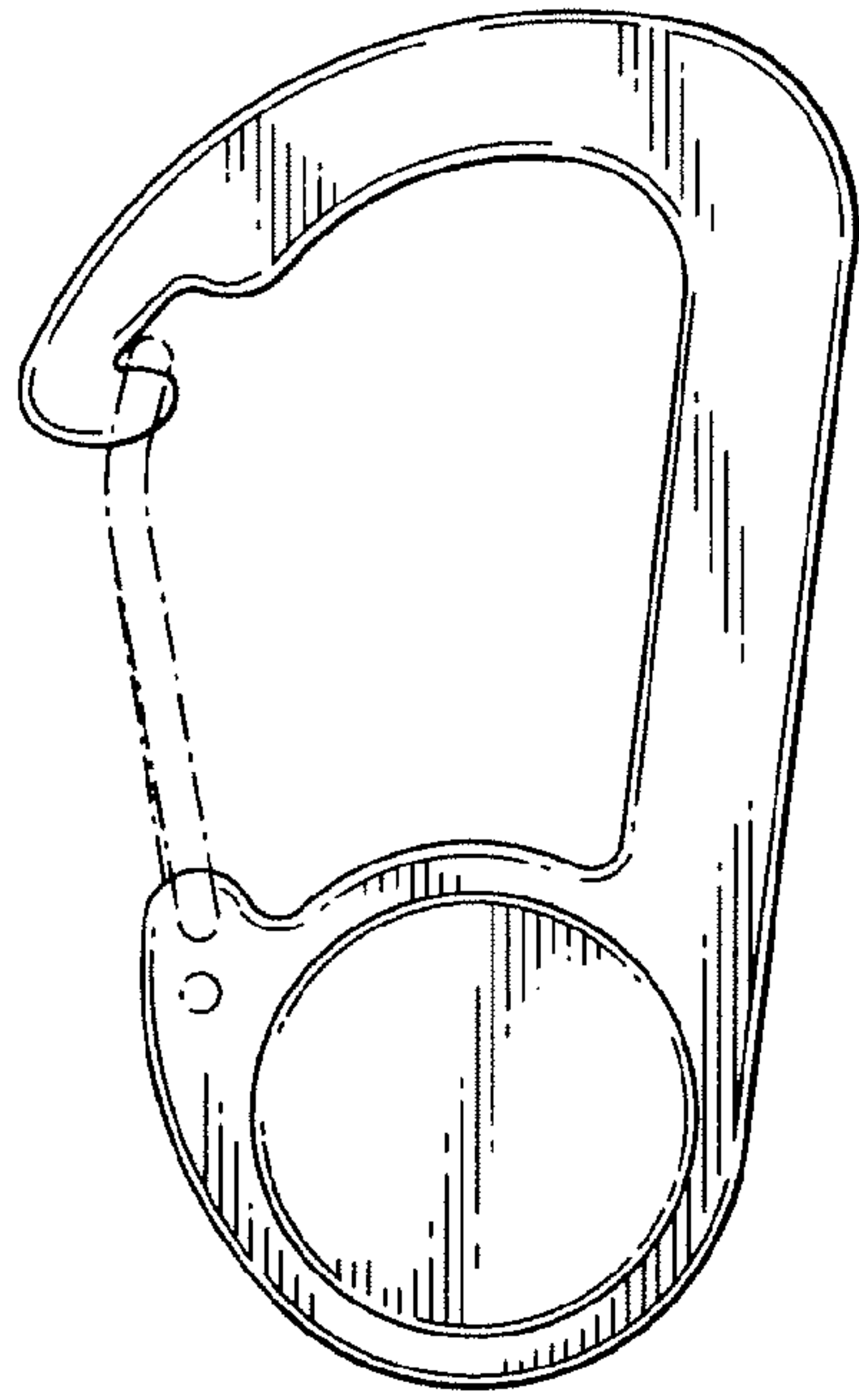


FIG. 1

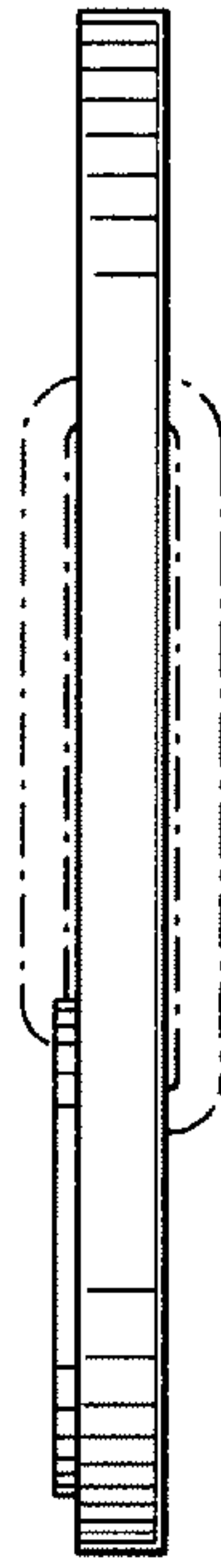


FIG. 4

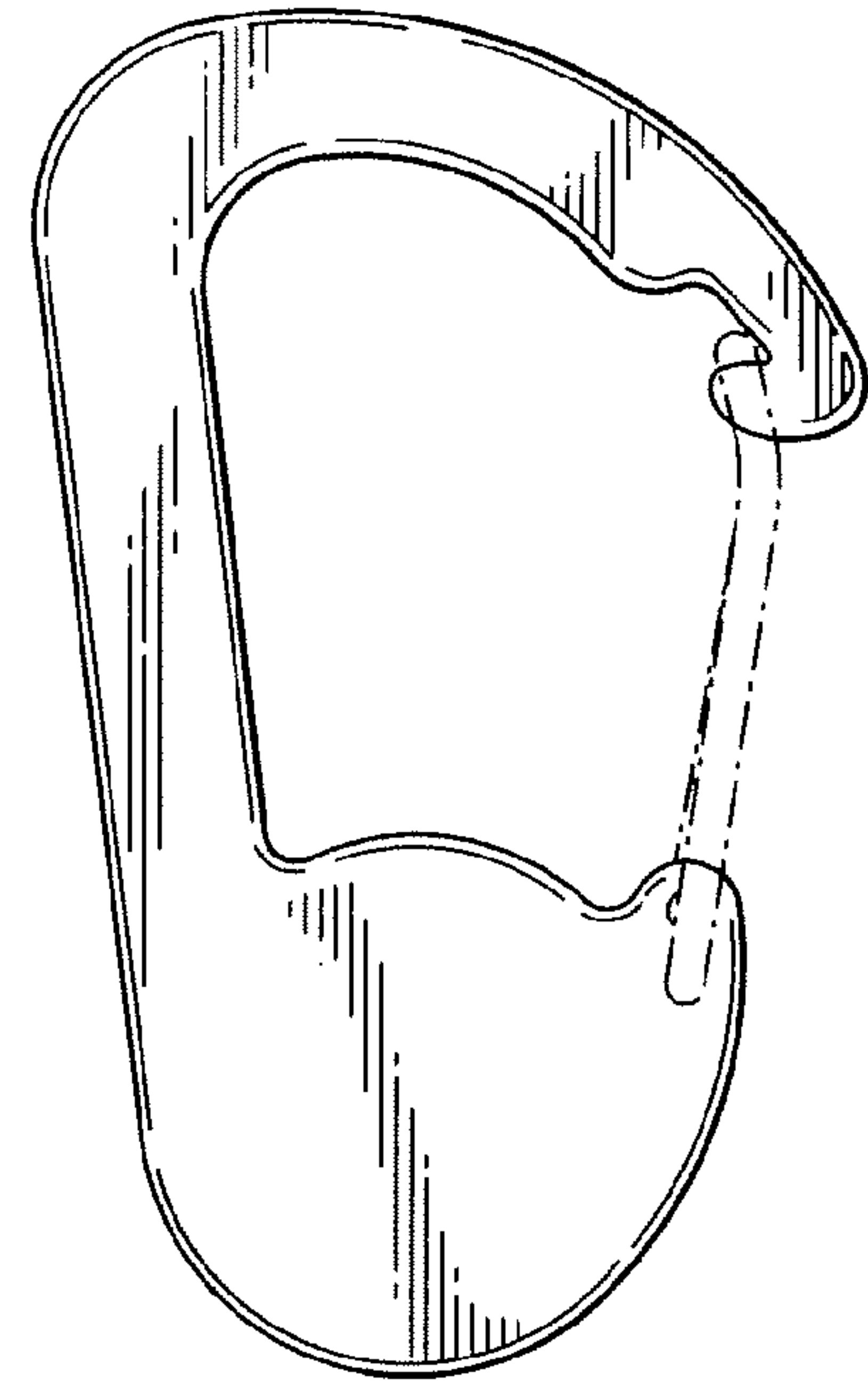


FIG. 2

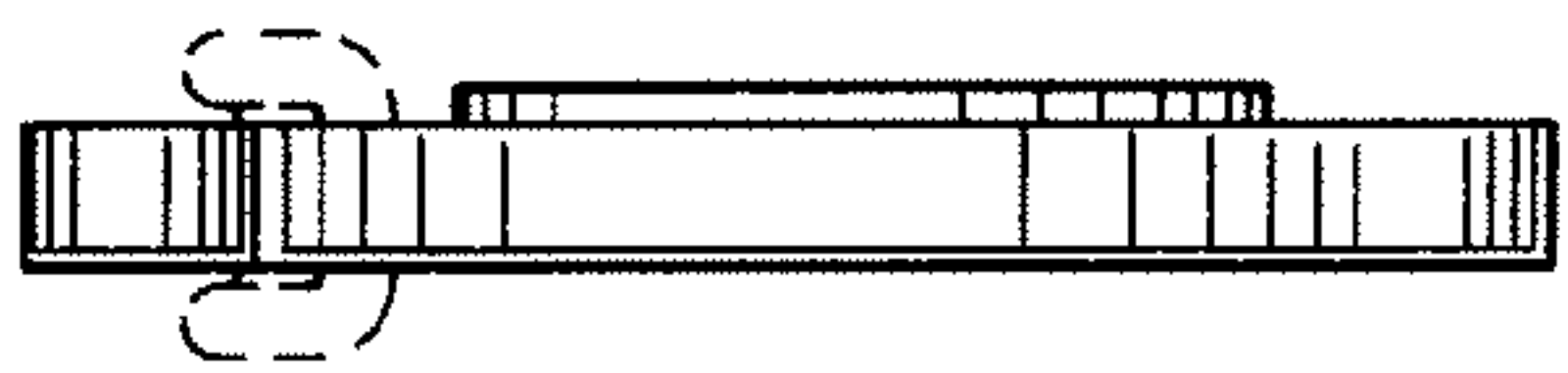


FIG. 6

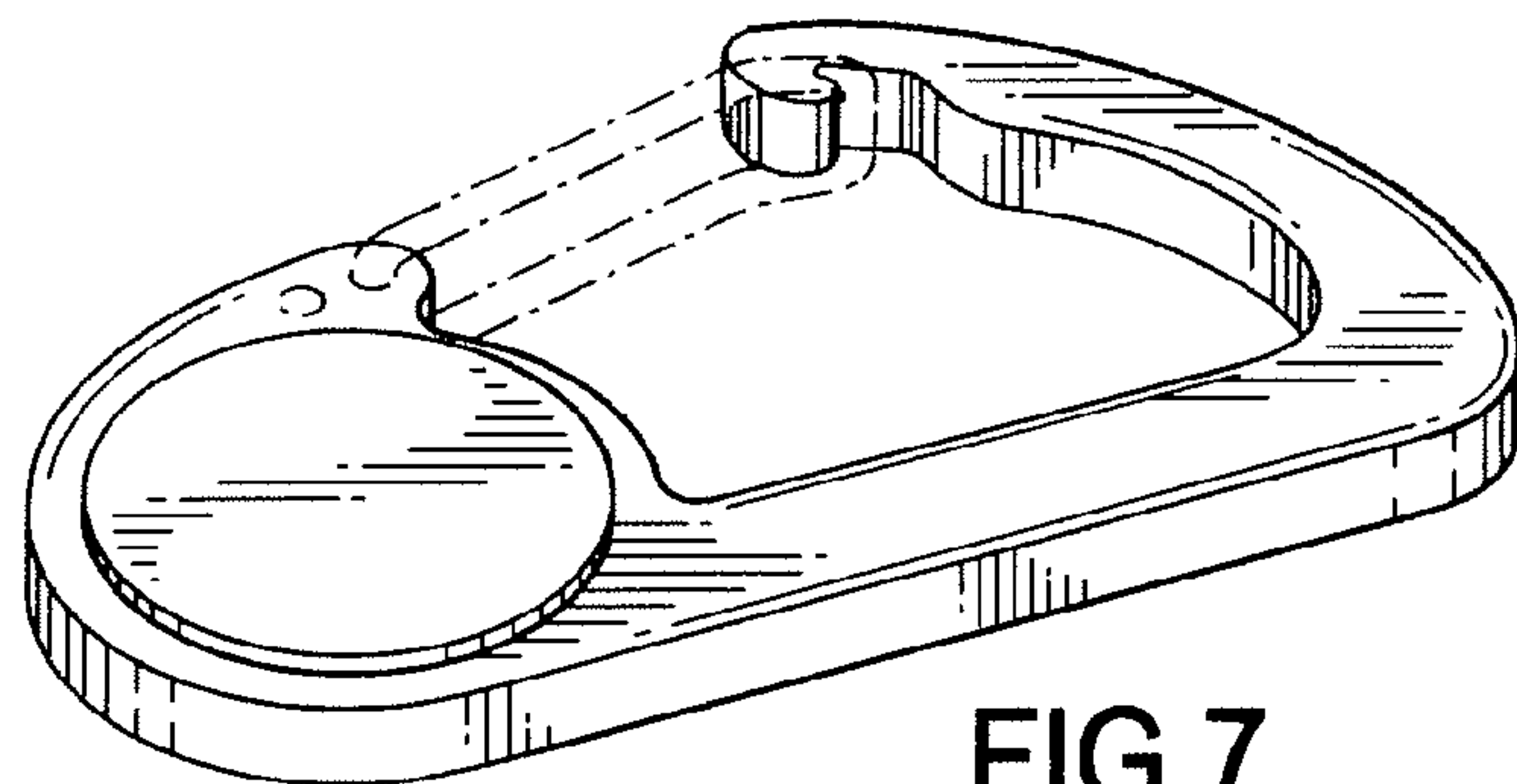


FIG. 7