



US00D595118S

(12) **United States Design Patent**  
**Sjöqvist**

(10) **Patent No.:** **US D595,118 S**  
(45) **Date of Patent:** **\*\* Jun. 30, 2009**

(54) **MINI WIRE TRAY**  
(75) Inventor: **Dan Sjöqvist**, Anderstorp (SE)  
(73) Assignee: **AB Wibe**, Mora (SE)  
(\*\*) Term: **14 Years**

5,927,658 A \* 7/1999 Gerster ..... 248/49  
6,023,024 A \* 2/2000 Stjerneby ..... 174/95  
6,061,884 A \* 5/2000 Ohms et al. .... 24/703.1  
6,239,364 B1 \* 5/2001 Nickel ..... 174/480  
6,340,141 B1 \* 1/2002 Rinderer ..... 248/49  
6,365,834 B1 \* 4/2002 Larsen et al. .... 174/100  
6,570,092 B2 \* 5/2003 Quertelet ..... 174/68.3

(21) Appl. No.: **29/305,369**  
(22) Filed: **Mar. 19, 2008**

(Continued)

(30) **Foreign Application Priority Data**  
Sep. 20, 2007 (EM) ..... 000793153

FOREIGN PATENT DOCUMENTS

(51) **LOC (9) Cl.** ..... **08-05**  
(52) **U.S. Cl.** ..... **D8/356**  
(58) **Field of Classification Search** ..... D8/105,  
D8/107, 333, 349, 354, 356, 358, 367, 373,  
D8/382, 383, 394-396, 400; 24/18, 197,  
24/561; 174/153 G, 650, 656; 242/400.1,  
242/405.1, 405.2, 600, 603; 248/65, 74.1-74.4,  
248/201, 214, 215, 229.26, 302, 304, 316.7,  
248/316.8; 439/367, 369, 371, 472, 501,  
439/535

CZ EC-000683925-0001 \* 3/2007  
FR EP 0418167 A \* 3/1991  
WO WO 0079663 A1 \* 12/2000

*Primary Examiner*—T. Chase Nelson  
*Assistant Examiner*—Karen Acker  
(74) *Attorney, Agent, or Firm*—Dickstein Shapiro LLP

See application file for complete search history.

(57) **CLAIM**

(56) **References Cited**

The ornamental design for a mini wire tray, as shown and described.

U.S. PATENT DOCUMENTS

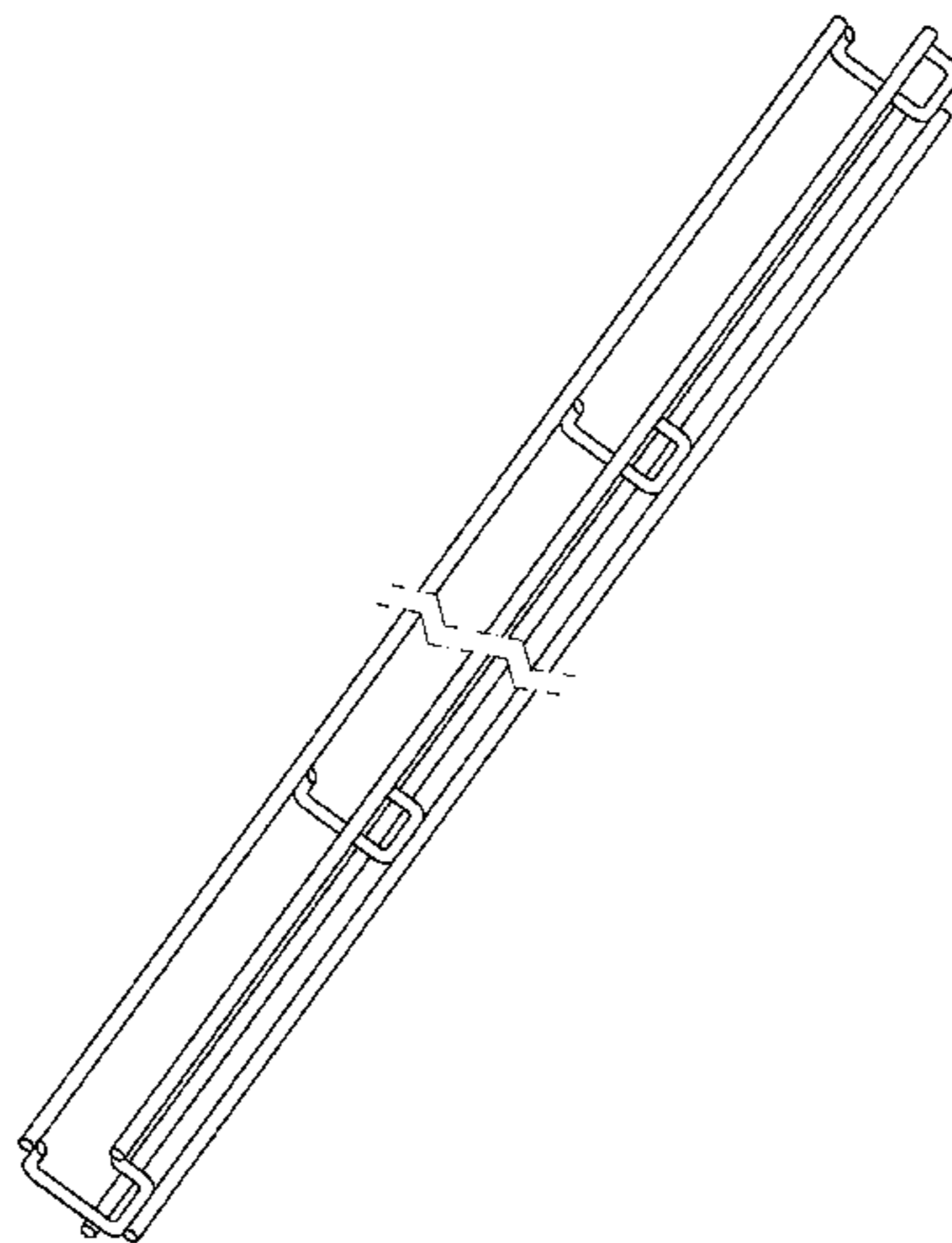
**DESCRIPTION**

1,396,450 A \* 11/1921 Martin ..... 242/604.1  
1,497,506 A \* 6/1924 Hagman ..... 242/604.1  
1,557,319 A \* 10/1925 Nullmeyer ..... 242/604.1  
1,561,323 A \* 11/1925 Gregg ..... 52/687  
1,967,793 A \* 7/1934 Van Kuyk ..... 34/240  
2,973,915 A \* 3/1961 Elow ..... 242/609.4  
3,102,614 A \* 9/1963 Lydard ..... 403/387  
3,389,438 A \* 6/1968 Haynes ..... 24/561  
3,980,215 A \* 9/1976 Schwarzbauer ..... 224/666  
D245,538 S \* 8/1977 Kurtz et al. .... D24/128  
D282,903 S \* 3/1986 Baker ..... D8/356  
D295,344 S \* 4/1988 Pryor et al. .... D6/323  
D363,208 S \* 10/1995 Seidel ..... D8/372  
5,531,410 A \* 7/1996 Simon ..... 248/49  
5,775,209 A \* 7/1998 Tiemann ..... 99/426

FIG. 1 is a first end view of the mini wire tray of the present invention;  
FIG. 2 is a second end view of the mini wire tray of the present invention;  
FIG. 3 is a first side view of the mini wire tray of the present invention;  
FIG. 4 is a second side view of the mini wire tray of the present invention;  
FIG. 5 is a front view of the mini wire tray of the present invention;  
FIG. 6 is a back view of the mini wire tray of the present invention; and,  
FIG. 7 is a perspective view of the mini wire tray of the present invention.

The break lines dividing a section of the mini wire tray indicate that no particular length is claimed.

**1 Claim, 7 Drawing Sheets**



# US D595,118 S

Page 2

---

U.S. PATENT DOCUMENTS			
6,590,154	B1 *	7/2003	Badey et al. .... 174/480
6,637,165	B2 *	10/2003	Jette ..... 52/220.1
6,637,704	B2 *	10/2003	Jette ..... 248/49
D490,691	S *	6/2004	Buss et al. .... D8/356
2002/0030143	A1 *	3/2002	Jette ..... 248/49
2004/0049998	A1 *	3/2004	Jette ..... 52/220.1
2004/0056157	A1 *	3/2004	Dufourg ..... 248/68.1
2004/0144898	A1 *	7/2004	Spagnoli ..... 248/68.1
2004/0245411	A1 *	12/2004	Phelan et al. .... 248/49
2006/0038091	A1 *	2/2006	Winn et al. .... 248/49

\* cited by examiner

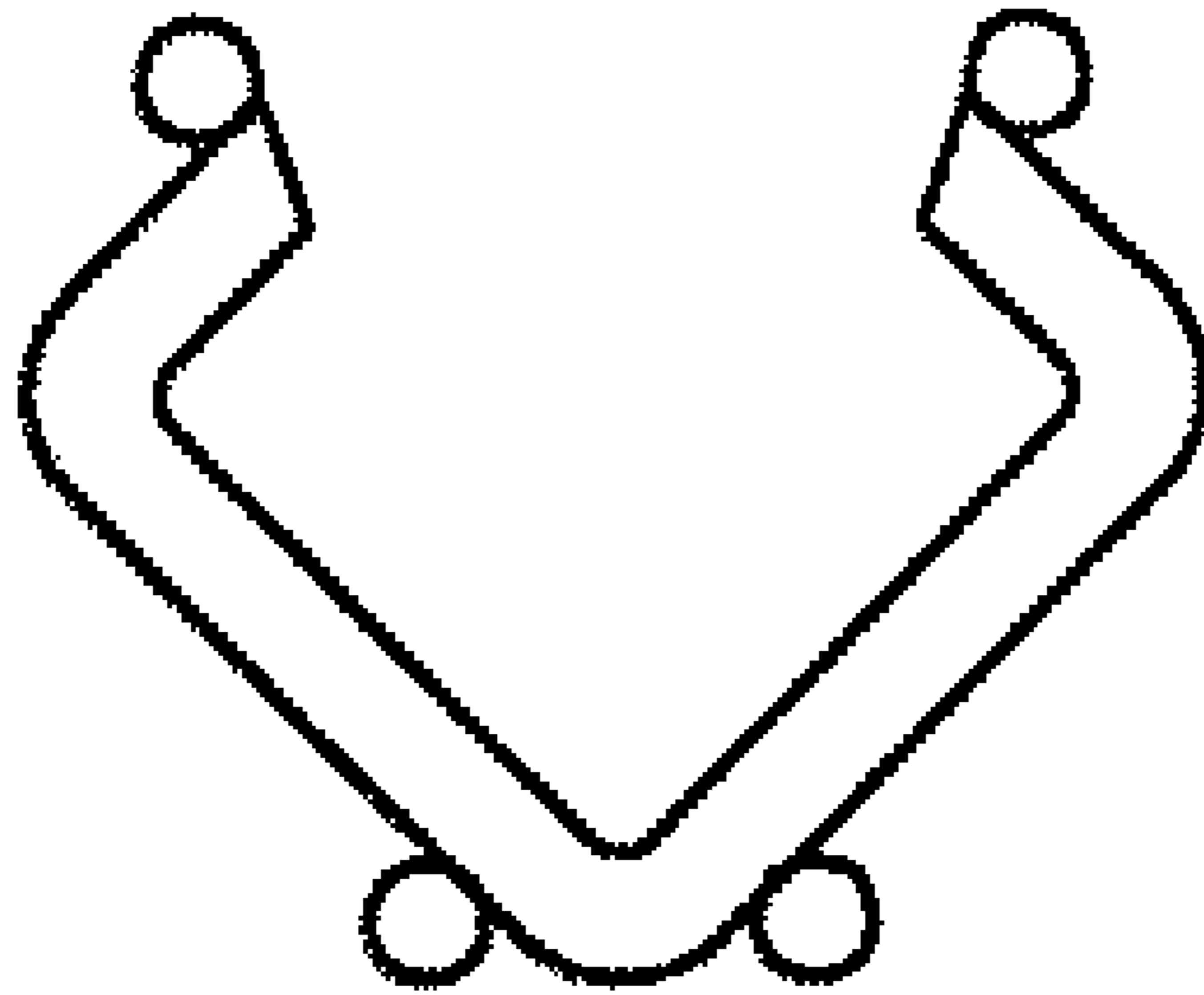


FIG. 1

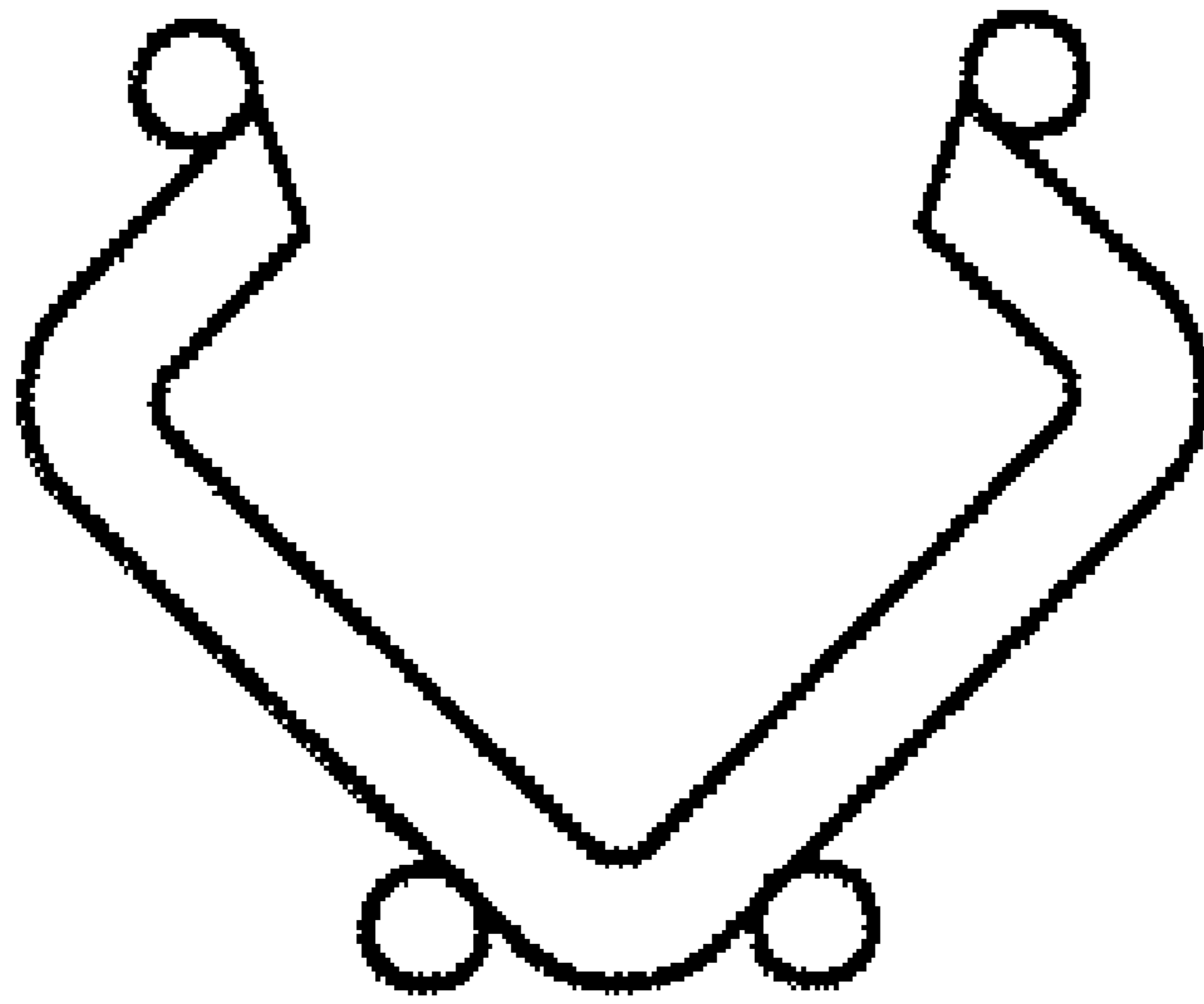


FIG. 2

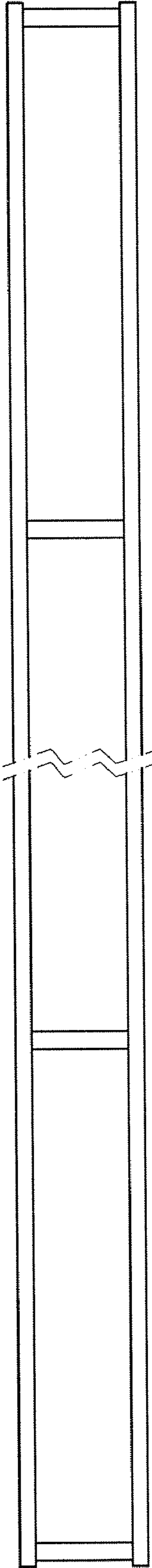


FIG. 3

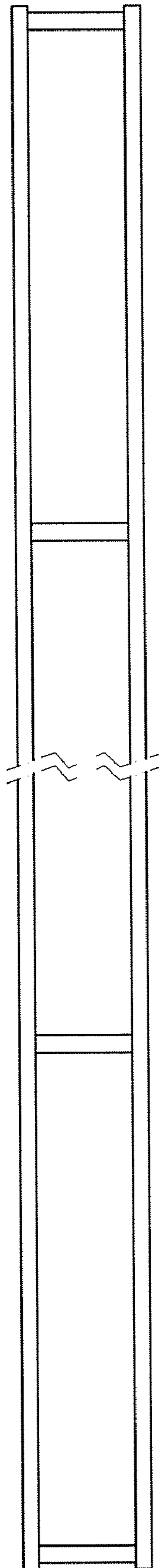


FIG. 4

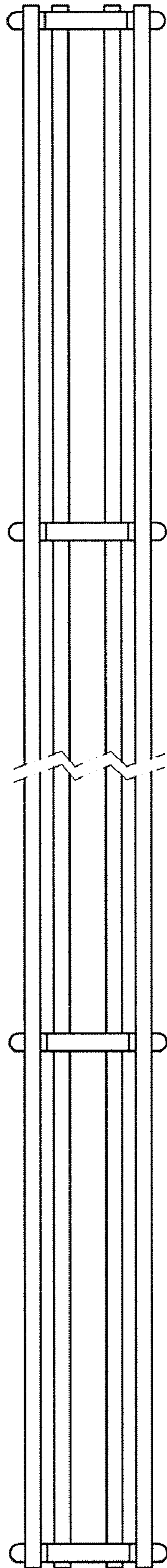


FIG. 5

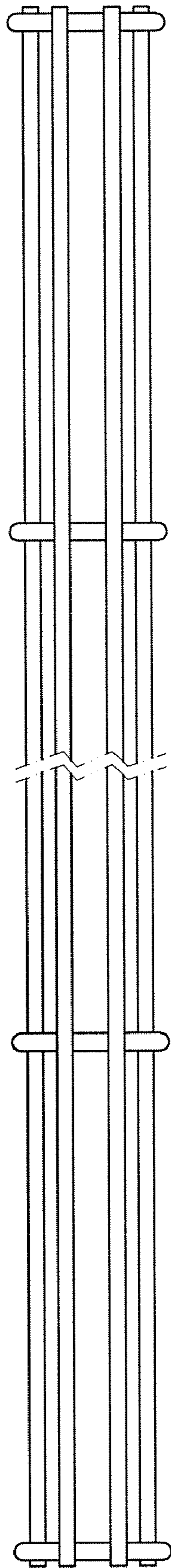


FIG. 6



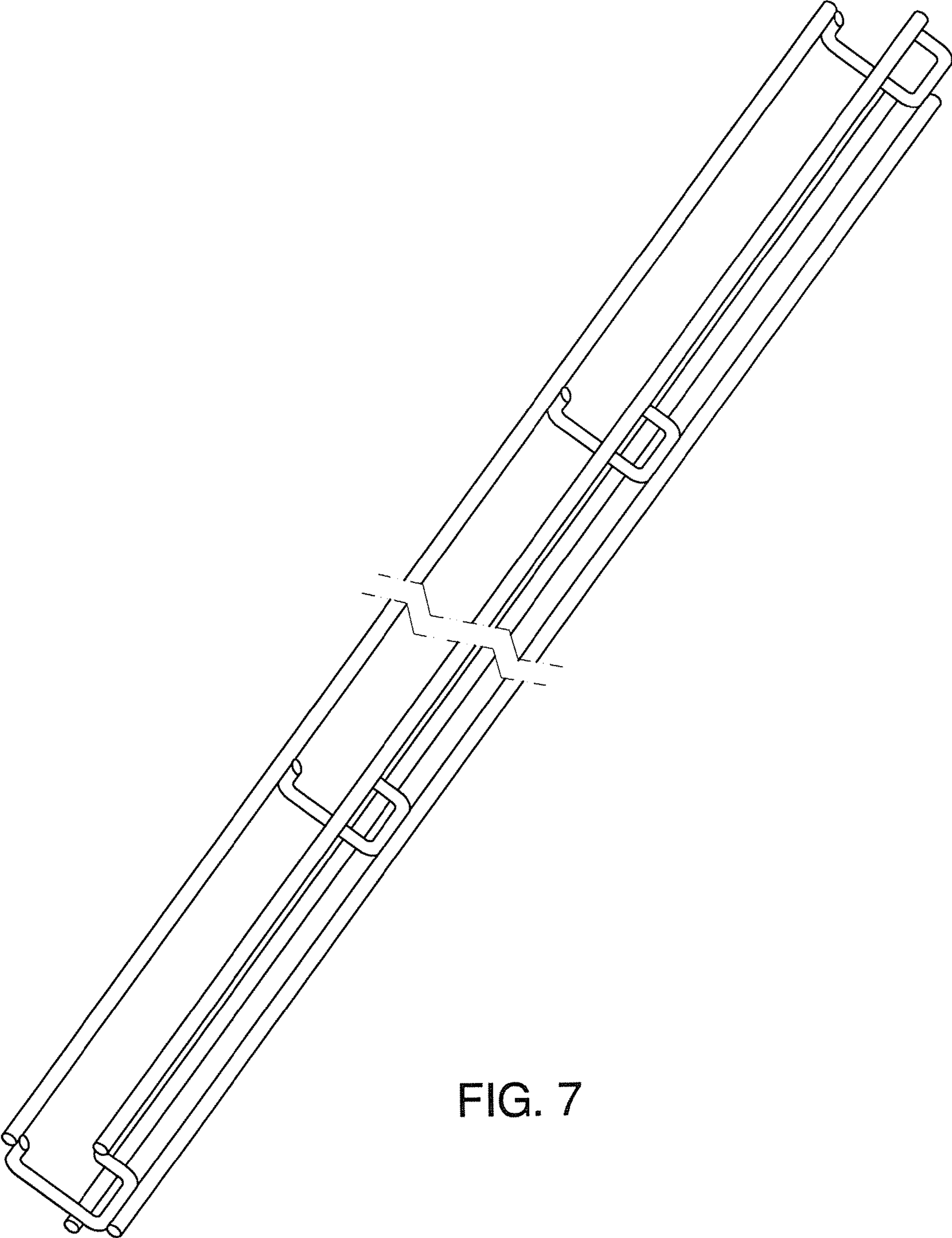


FIG. 7