



US00D595117S

(12) **United States Design Patent**
Sorkin

(10) **Patent No.:** **US D595,117 S**
(45) **Date of Patent:** **** Jun. 30, 2009**

(54) **TILT WALL CHAIR**

(76) Inventor: **Felix L. Sorkin**, 13022 Trinity Dr.,
Stafford, TX (US) 77477

(**) Term: **14 Years**

(21) Appl. No.: **29/320,765**

(22) Filed: **Jul. 2, 2008**

(51) **LOC (9) Cl.** **08-05**

(52) **U.S. Cl.** **D8/354; D6/349**

(58) **Field of Classification Search** D6/330,
D6/335-338, 340, 349-355, 358, 359, 364,
D6/366, 376, 491, 495, 500-502; 297/16.1,
297/39, 46, 135, 140, 156, 158.3, 158.4,
297/175, 177, 187, 195.1, 195.11, 211, 245,
297/423.1, 423.16, 445.1, 461, 462; D8/356,
D8/354; 52/677, 687, 689; 404/135, 136;
248/440, 440.1; 249/30

See application file for complete search history.

(56) **References Cited**

U.S. PATENT DOCUMENTS

D271,846 S *	12/1983	Hernandez	D8/356
D271,847 S *	12/1983	Hernandez	D8/356
4,682,461 A *	7/1987	Sizemore	52/689
D334,133 S *	3/1993	Hartzheim	D8/354
5,555,693 A *	9/1996	Sorkin	52/689
D388,312 S *	12/1997	Sorkin	D8/354

5,791,095 A *	8/1998	Sorkin	52/105
D495,504 S *	9/2004	Sorkin	D6/349
D497,055 S *	10/2004	Sorkin	D6/349
D504,805 S *	5/2005	Sorkin	D8/356
7,237,367 B1 *	7/2007	Sorkin	52/687
D552,897 S *	10/2007	Joseph	D6/500
D560,872 S *	1/2008	Scott et al.	D34/35
D561,501 S *	2/2008	Joseph	D6/500

* cited by examiner

Primary Examiner—Sandra Snapp

(74) *Attorney, Agent, or Firm*—Egbert Law Offices PLLC

(57) **CLAIM**

The ornamental design for the tilt wall chair, as shown and described.

DESCRIPTION

The tilt wall chair is used in reinforced concrete construction.

FIG. 1 is an upper rear perspective view of the tilt wall chair showing my new design.

FIG. 2 is a back elevation view thereof;

FIG. 3 is a front elevation view thereof;

FIG. 4 is a side elevation view thereof;

FIG. 5 is an opposite side elevation view thereof;

FIG. 6 is a top plan view thereof; and,

FIG. 7 is a bottom plan view thereof.

1 Claim, 3 Drawing Sheets

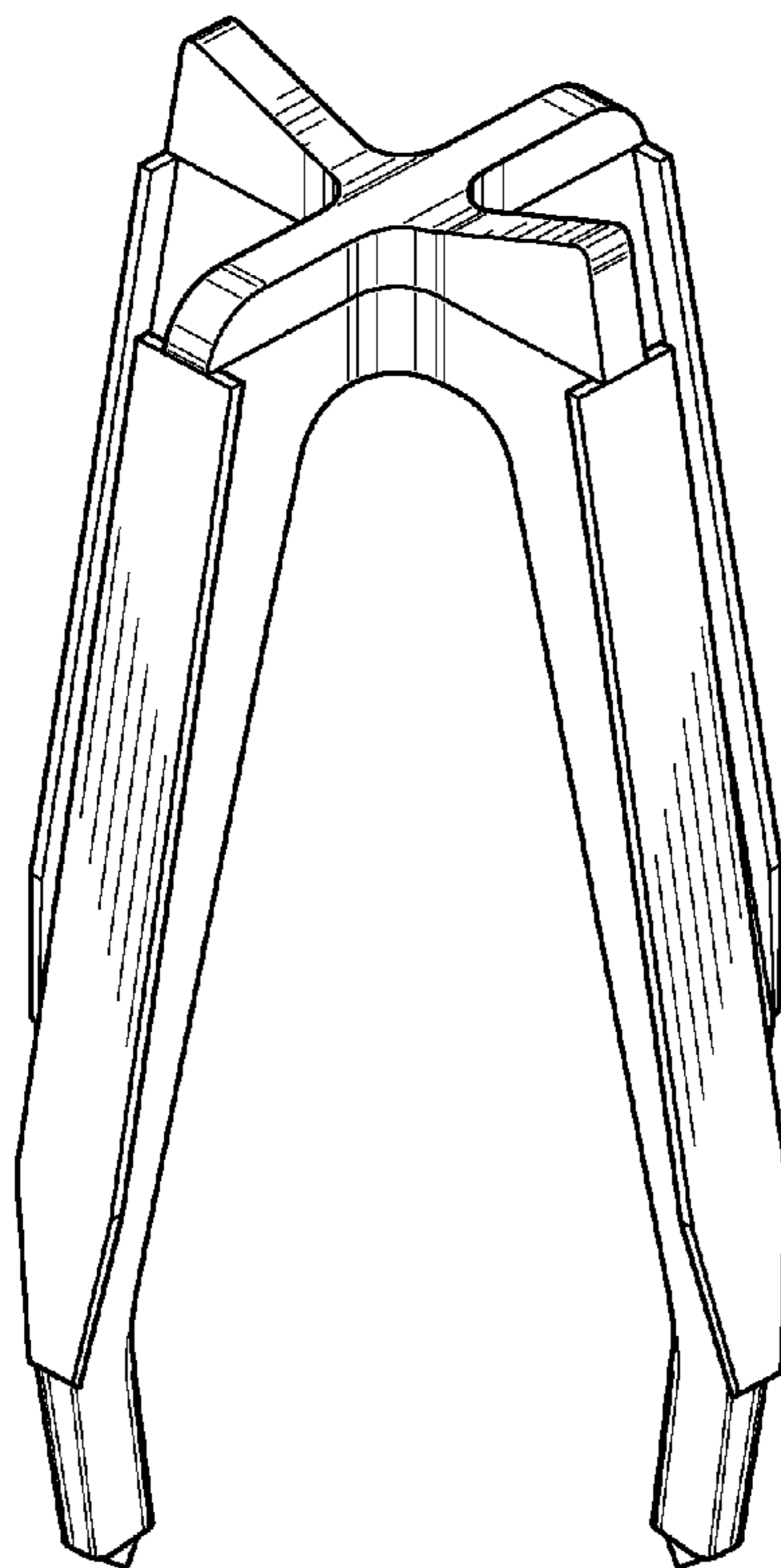




FIG. 1

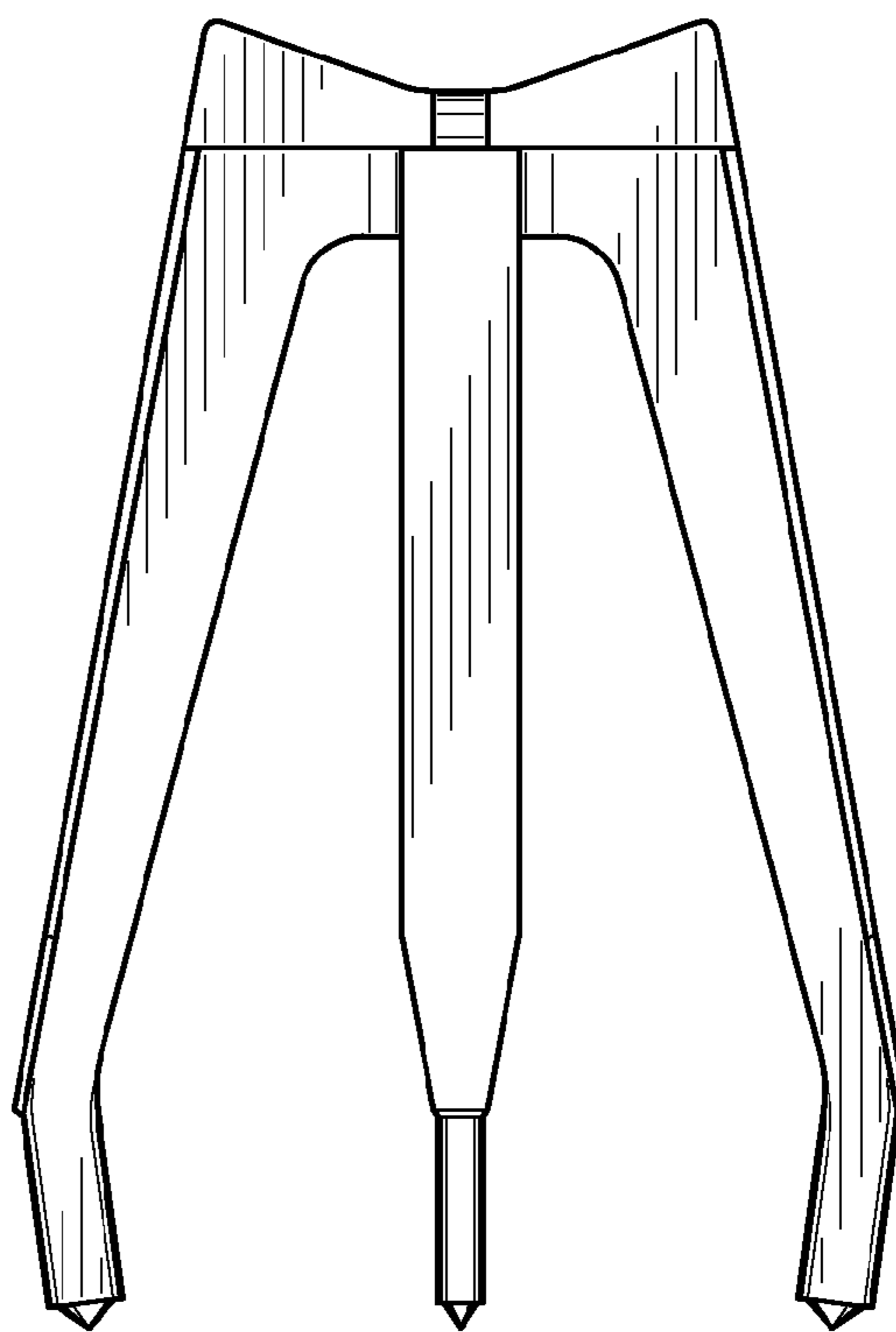


FIG. 2

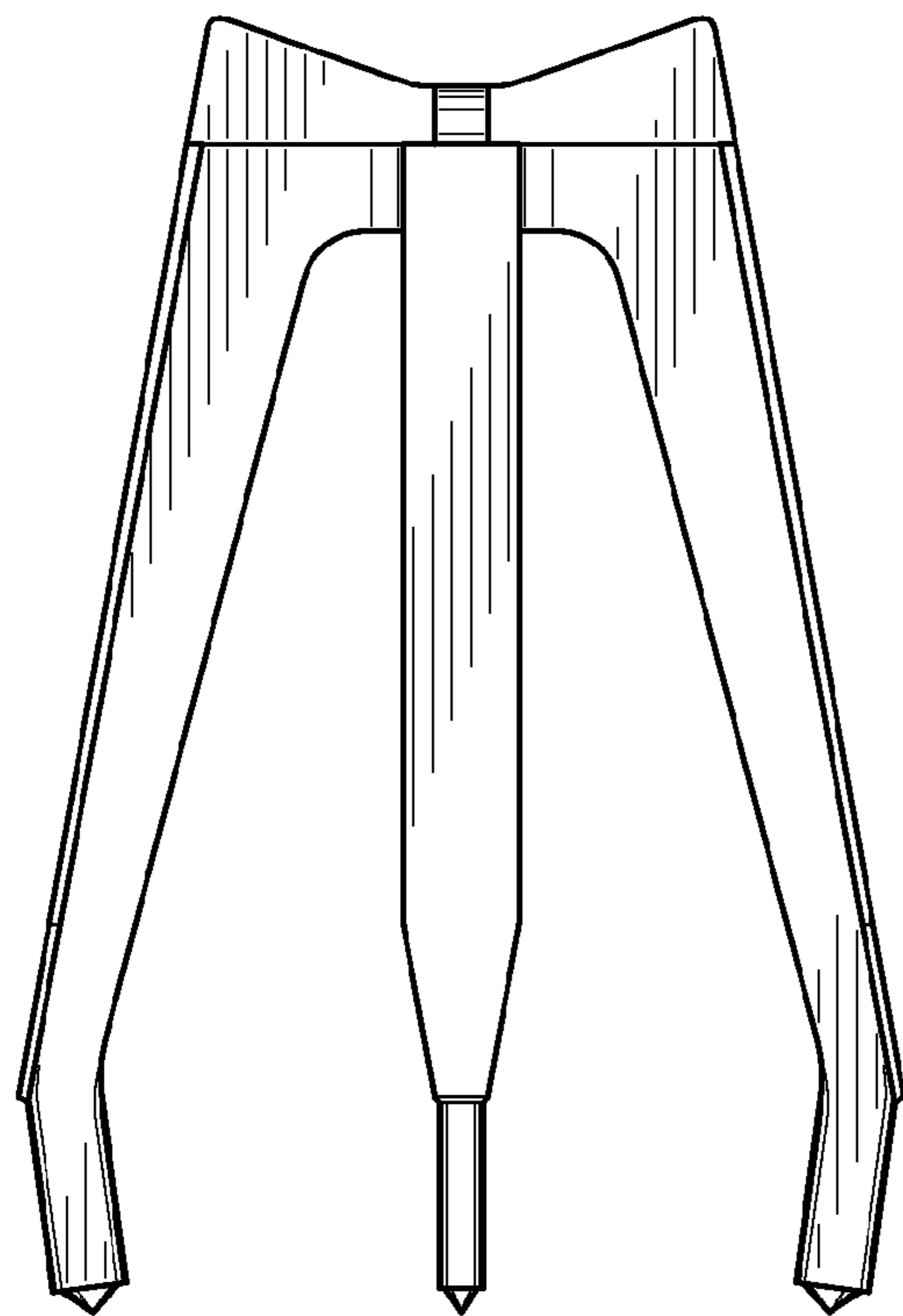


FIG. 3

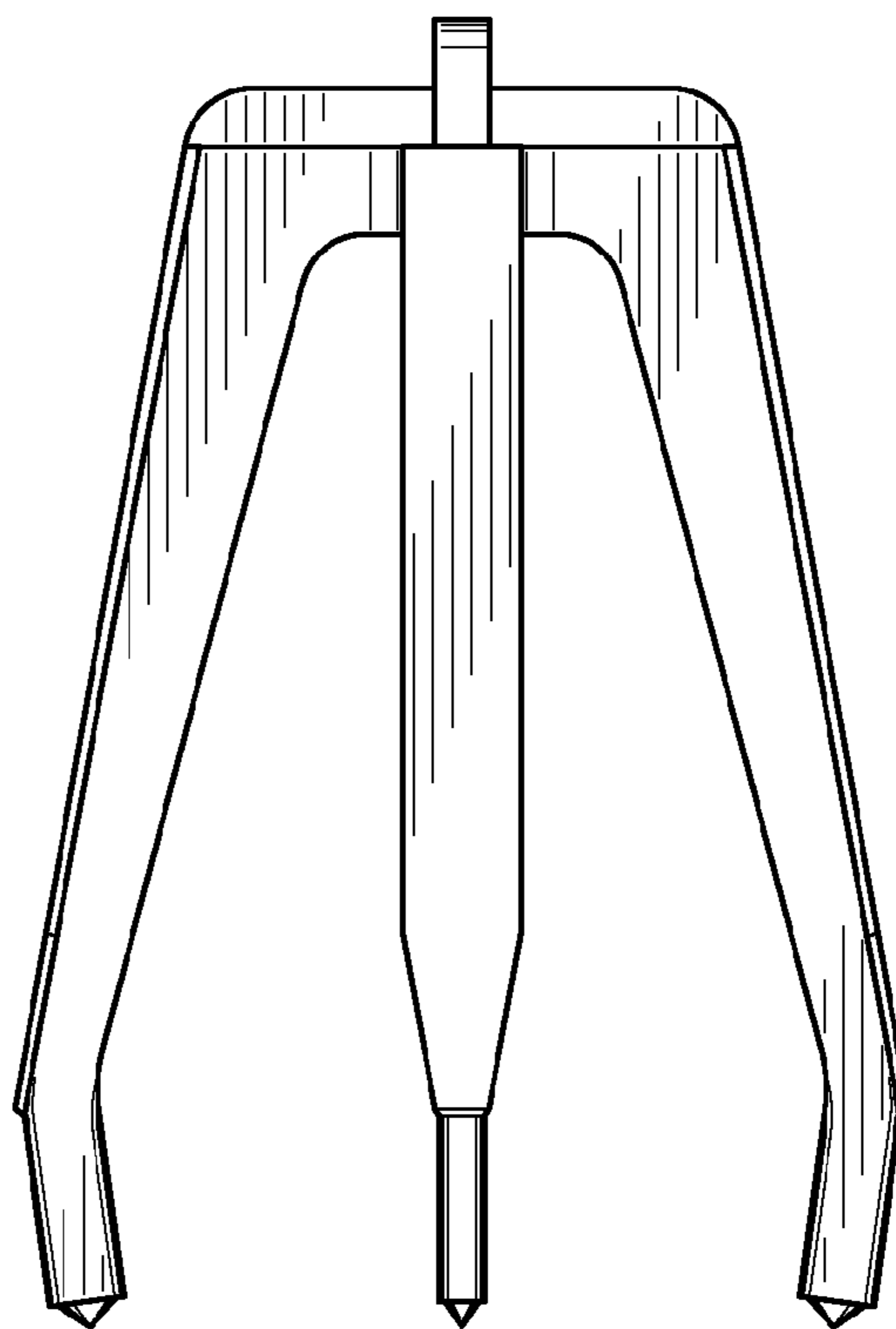


FIG. 4

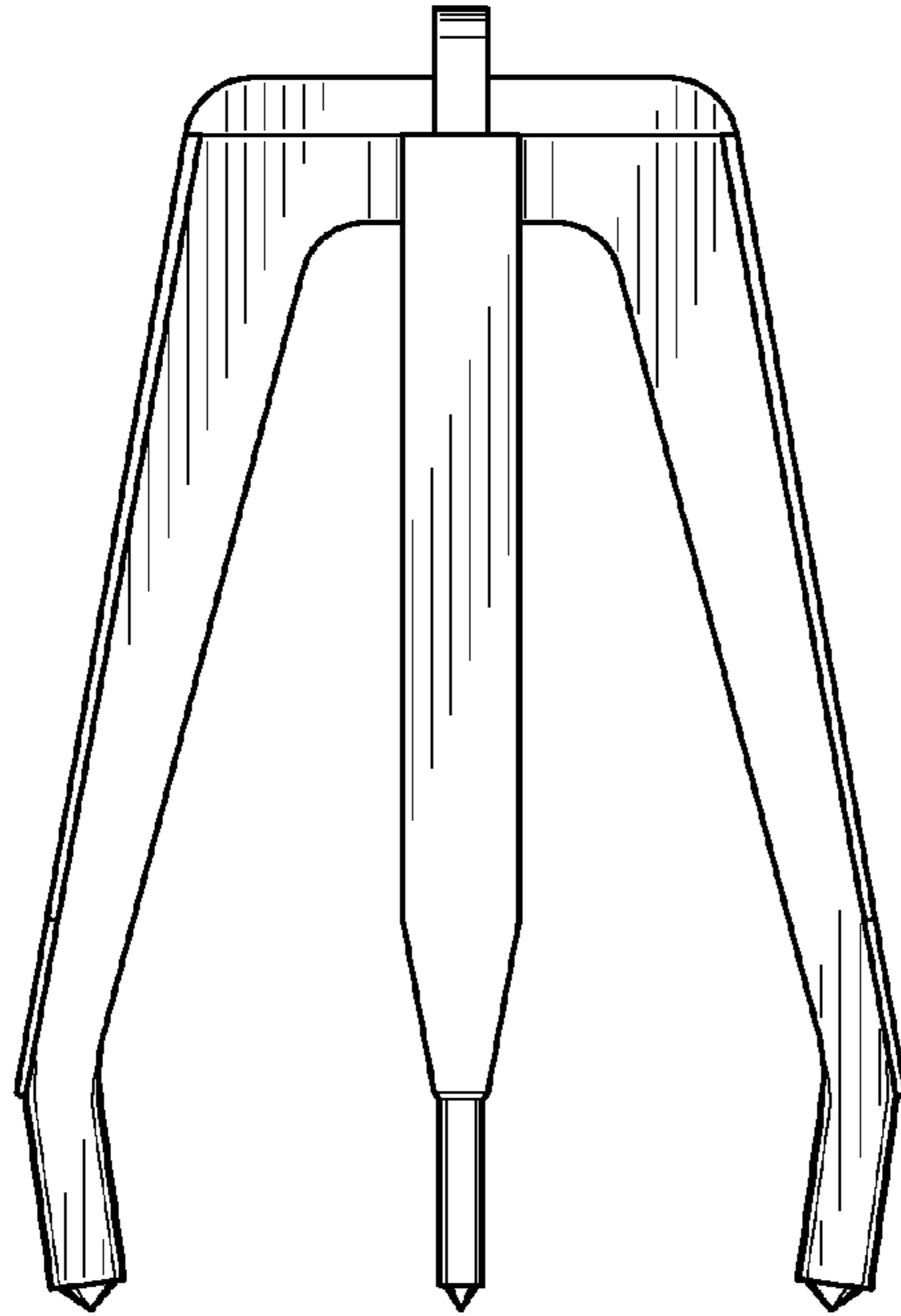


FIG. 5

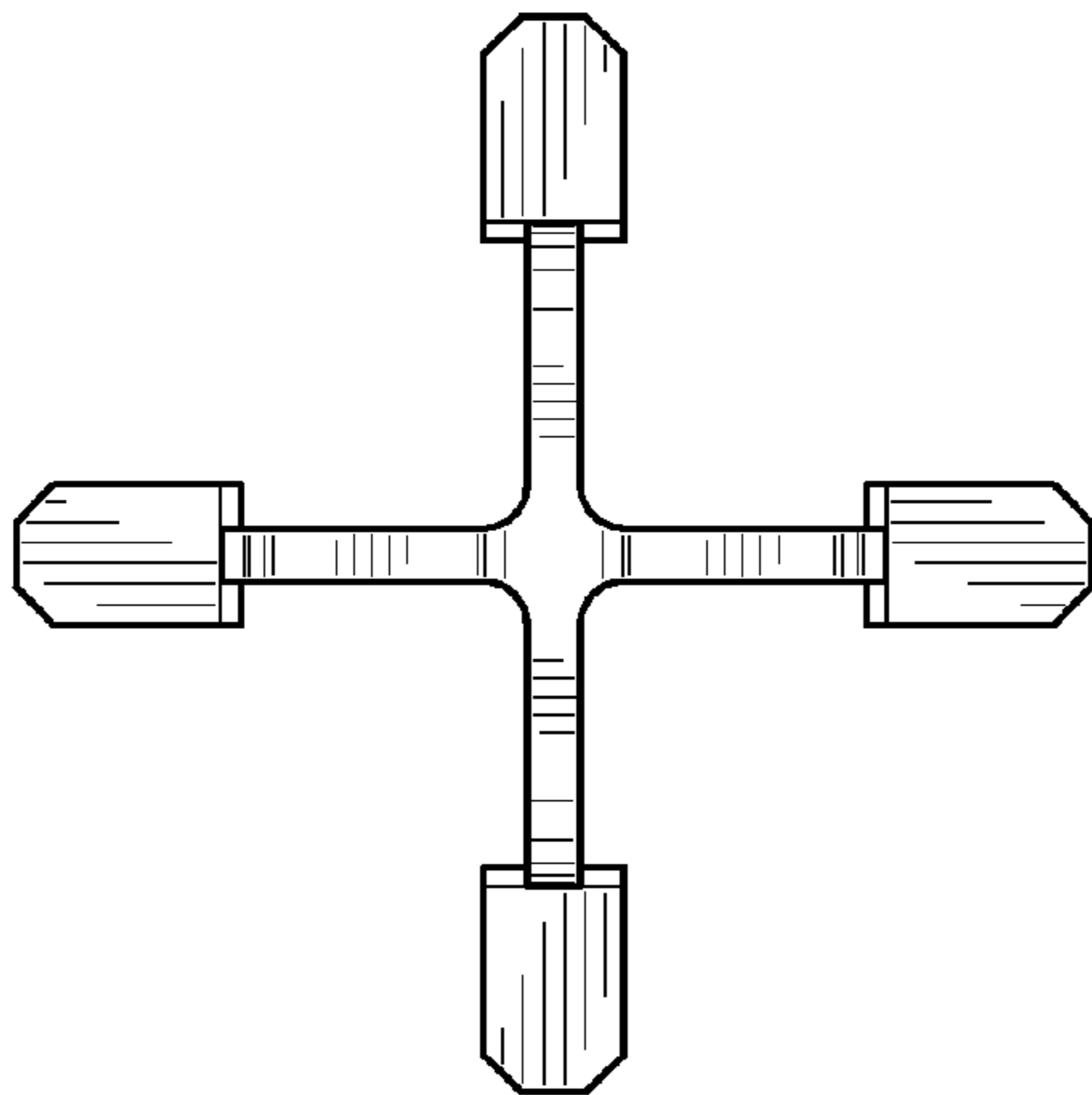


FIG. 6

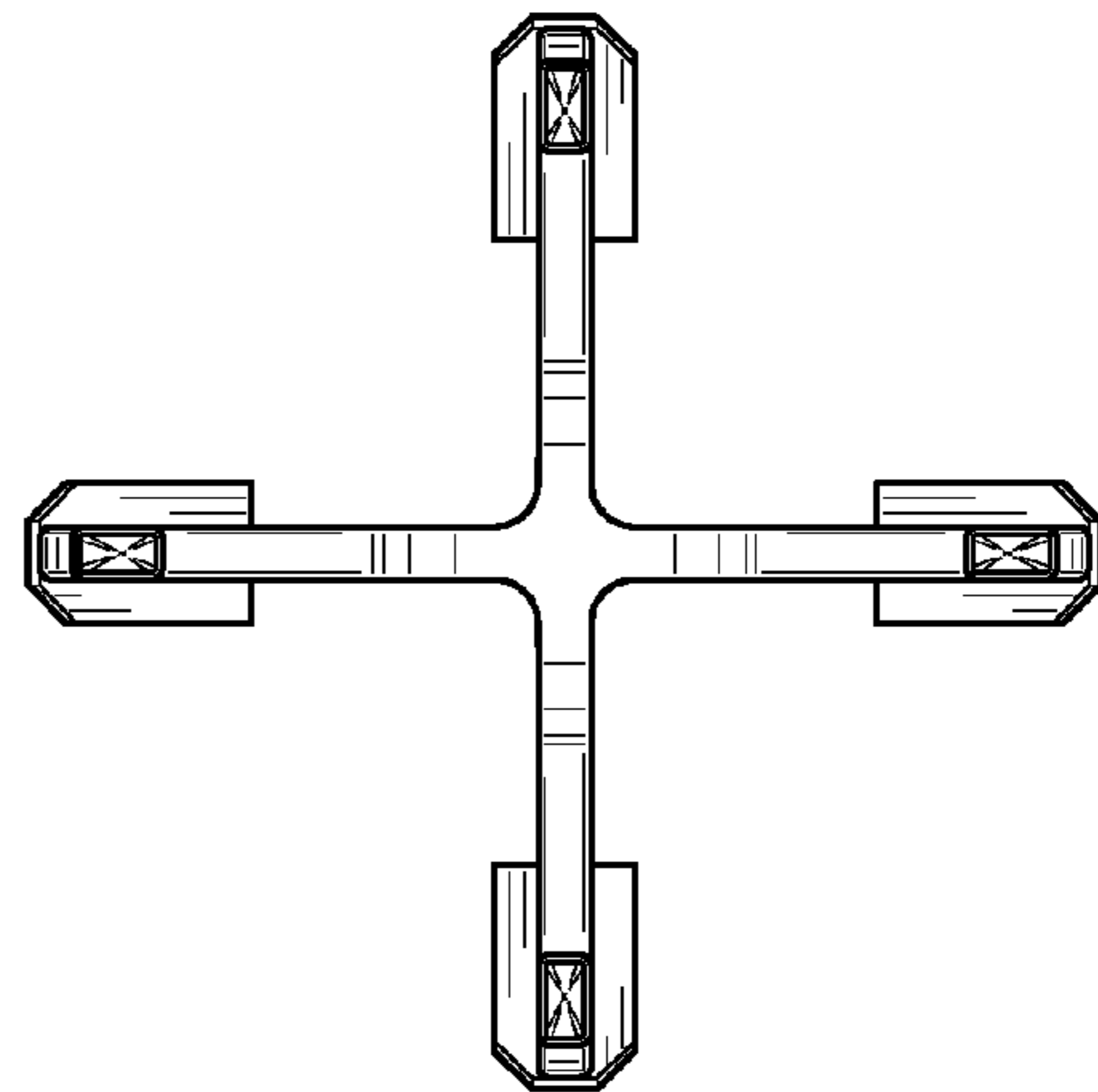


FIG. 7