



US00D595116S

(12) **United States Design Patent**
Sipe

(10) **Patent No.:** **US D595,116 S**

(45) **Date of Patent:** **** Jun. 30, 2009**

(54) **FIXTURE BRACKET**

(76) **Inventor:** **Mark Evan Sipe**, 454 McClanahan Rd.,
Only, TN (US) 37140

(**) **Term:** **14 Years**

(21) **Appl. No.:** **29/307,367**

(22) **Filed:** **Apr. 16, 2008**

(51) **LOC (9) Cl.** **08-05**

(52) **U.S. Cl.** **D8/354**

(58) **Field of Classification Search** D8/349,
D8/354; 248/200, 300, 220.42, 220.22, 220.31
See application file for complete search history.

(56) **References Cited**

U.S. PATENT DOCUMENTS

D202,779 S * 11/1965 Rosenbaum D8/377
D317,687 S * 6/1991 Fabius et al. D6/429

* cited by examiner

Primary Examiner—Holly H Baynham

(74) *Attorney, Agent, or Firm*—David D. Winters

(57) **CLAIM**

The ornamental design for “fixture bracket,” as shown and described.

DESCRIPTION

FIG. 1 is a perspective view of the fixture bracket.

FIG. 2 is a front view of the fixture bracket.

FIG. 3 is a back view of the fixture bracket.

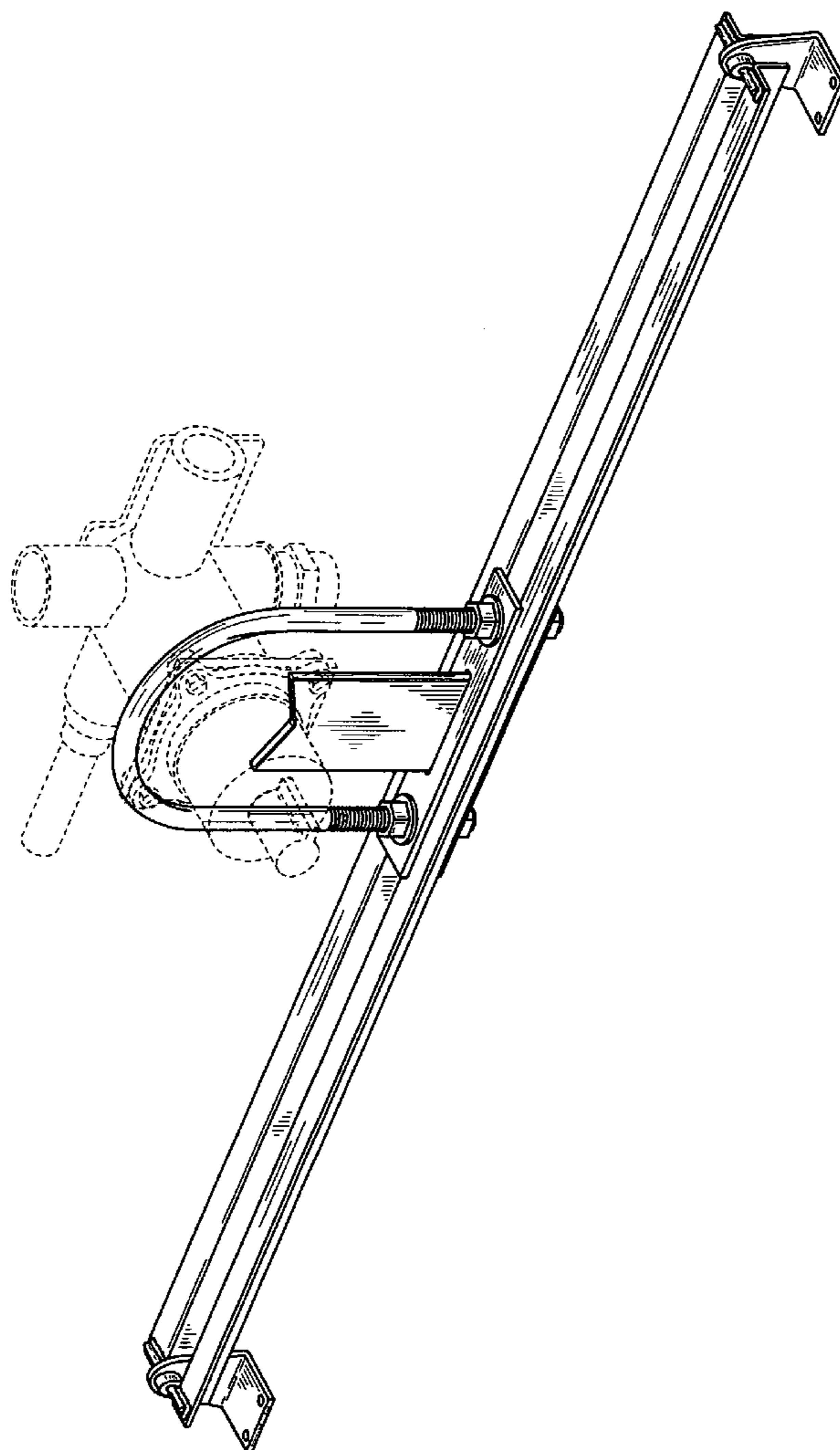
FIG. 4 is a right side view of the fixture bracket.

FIG. 5 is a left side view of the fixture bracket.

FIG. 6 is a top view of the fixture bracket; and,

FIG. 7 is a bottom view of the fixture bracket.

1 Claim, 3 Drawing Sheets



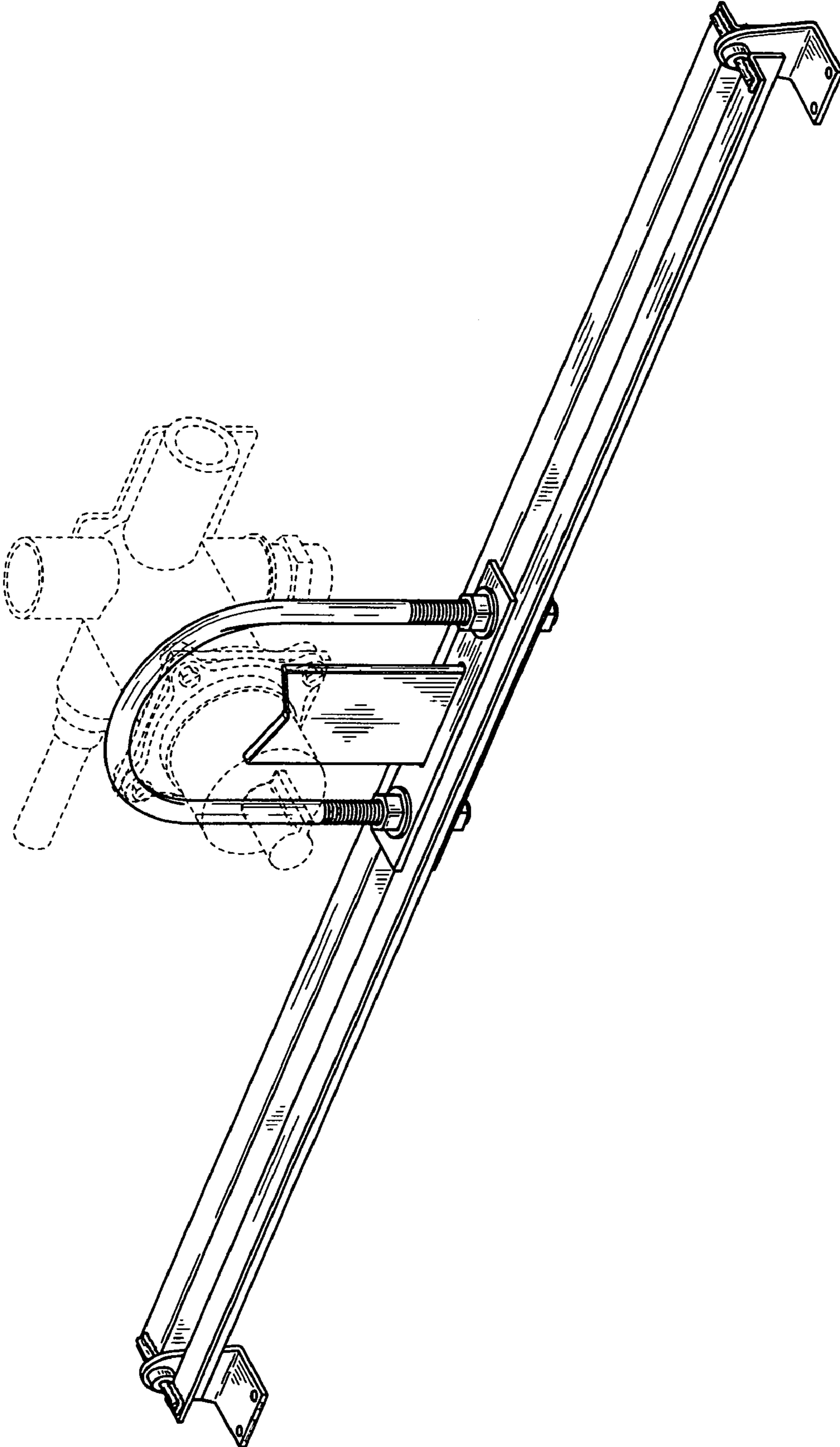


FIG. 1

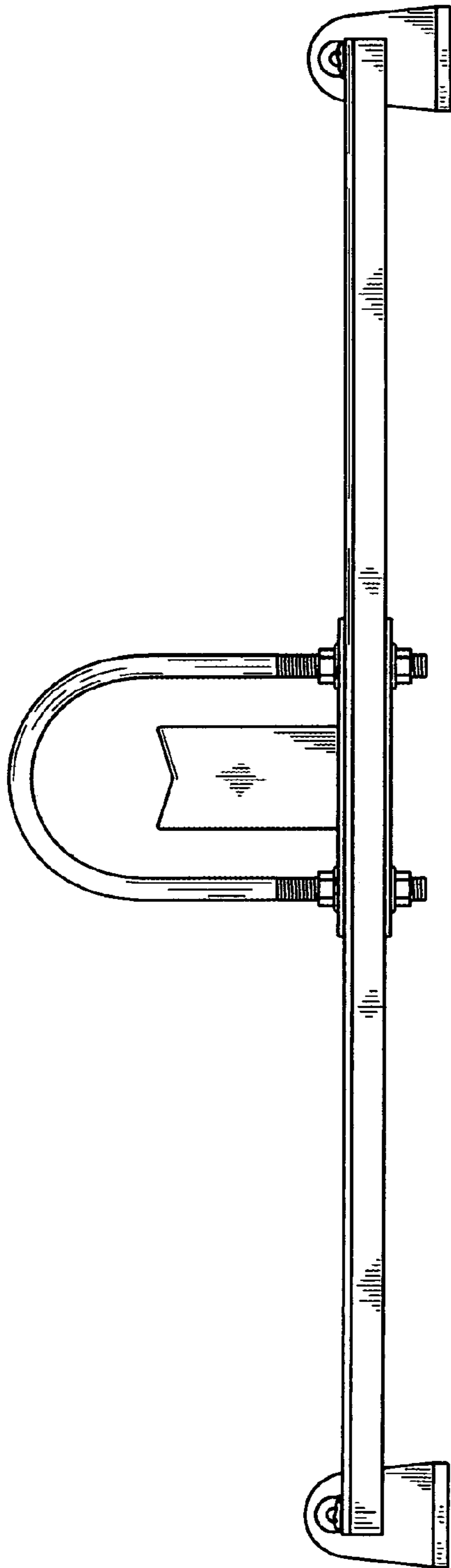


FIG. 2

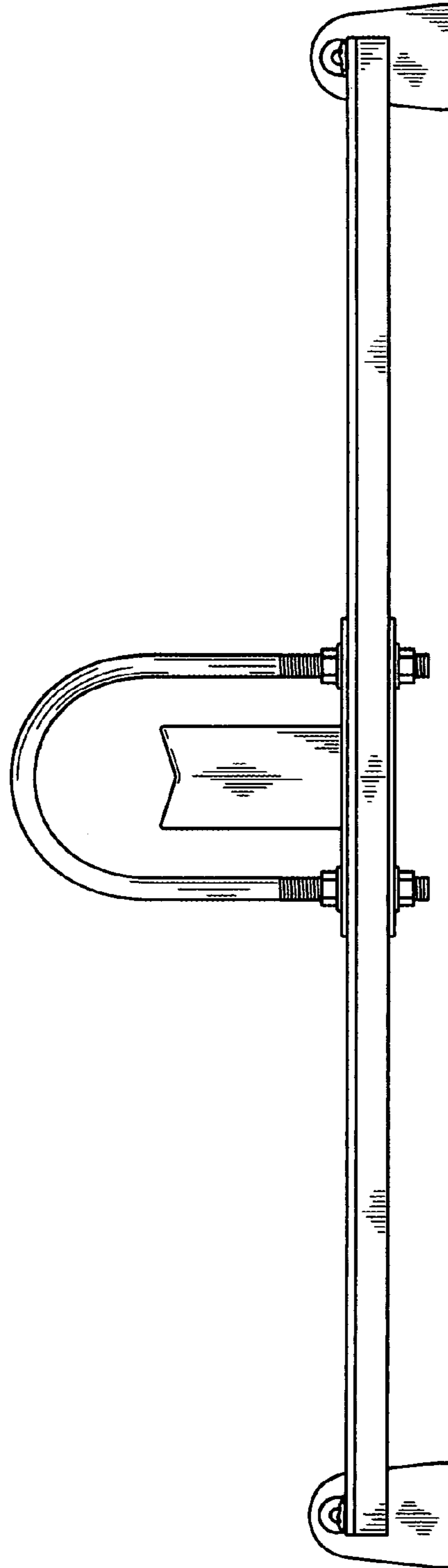


FIG. 3

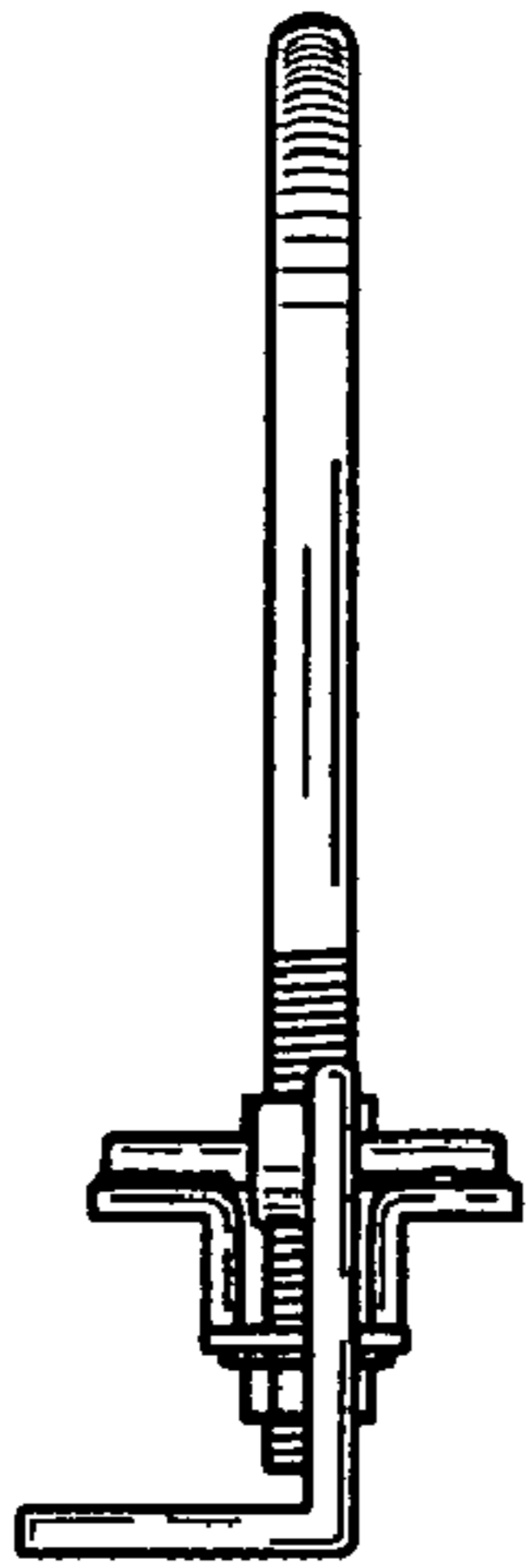


FIG. 4

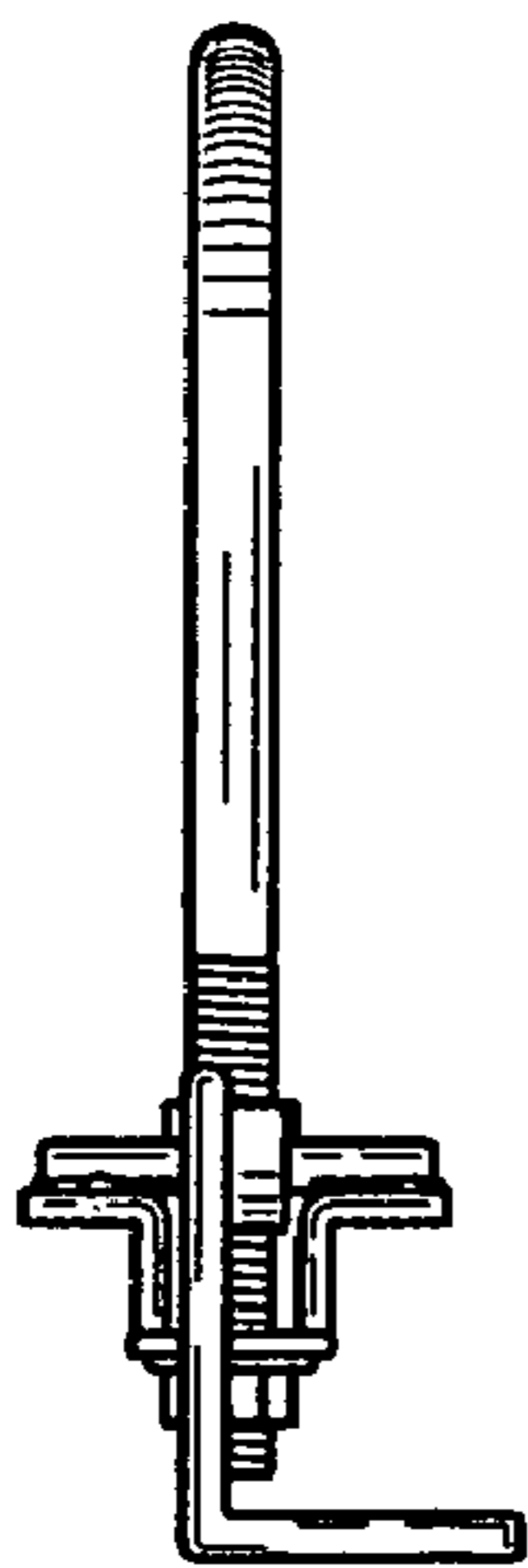


FIG. 5

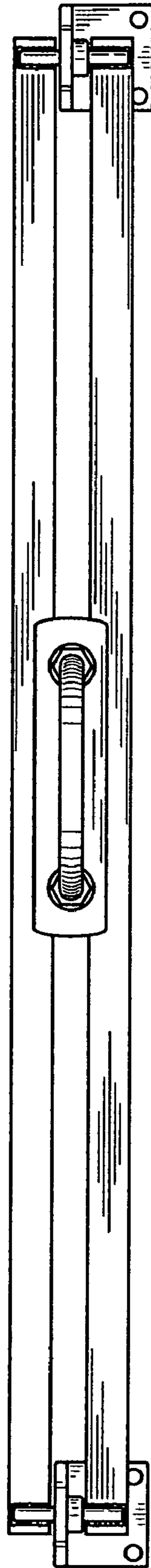


FIG. 6

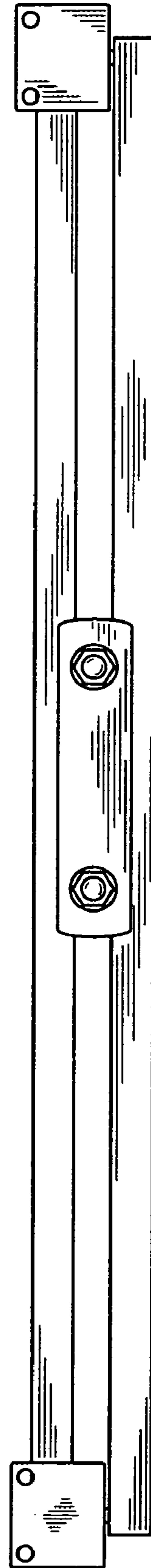


FIG. 7