



US00D595113S

(12) **United States Design Patent**  
**Agresta**

(10) **Patent No.:** **US D595,113 S**

(45) **Date of Patent:** **\*\* Jun. 30, 2009**

(54) **SERVICE KEY**

(75) Inventor: **Frank Agresta**, Waterbury, CT (US)

(73) Assignee: **Neoperl GmbH**, Mullheim (DE)

(\*\*) Term: **14 Years**

(21) Appl. No.: **29/318,419**

(22) Filed: **May 20, 2008**

(30) **Foreign Application Priority Data**

Nov. 26, 2007 (EM) ..... 000832258

(51) **LOC (9) Cl.** ..... **08-07**

(52) **U.S. Cl.** ..... **D8/347**

(58) **Field of Classification Search** ..... D8/347,  
D8/348; 70/336, 344, 382, 390, 393, 416,  
70/419, 429, 430, 447, 460, DIG. 14; D3/207-212  
See application file for complete search history.

(56) **References Cited**

**U.S. PATENT DOCUMENTS**

D210,800 S \* 4/1968 Brinkman ..... D3/212  
D393,996 S \* 5/1998 Sacco et al. .... D8/347  
6,026,676 A \* 2/2000 Chen et al. .... 73/105  
6,666,057 B1 \* 12/2003 Huang ..... 70/375

D531,009 S \* 10/2006 Waldron ..... D8/347  
7,337,639 B2 \* 3/2008 Edwards, Jr. .... 70/409  
2003/0136164 A1 \* 7/2003 Widen et al. .... 70/369  
2007/0079114 A1 \* 4/2007 Seemann ..... 713/153  
2007/0106766 A1 \* 5/2007 Collings III ..... 709/220

\* cited by examiner

*Primary Examiner*—Prabhakar Deshmukh

(74) *Attorney, Agent, or Firm*—Volpe and Koenig, P.C.

(57) **CLAIM**

The ornamental design for a service key, as shown and described.

**DESCRIPTION**

FIG. 1 is a top, front perspective view of a service key showing my new design;

FIG. 2 is a bottom, rear, right perspective view thereof;

FIG. 3 is a top plan view thereof;

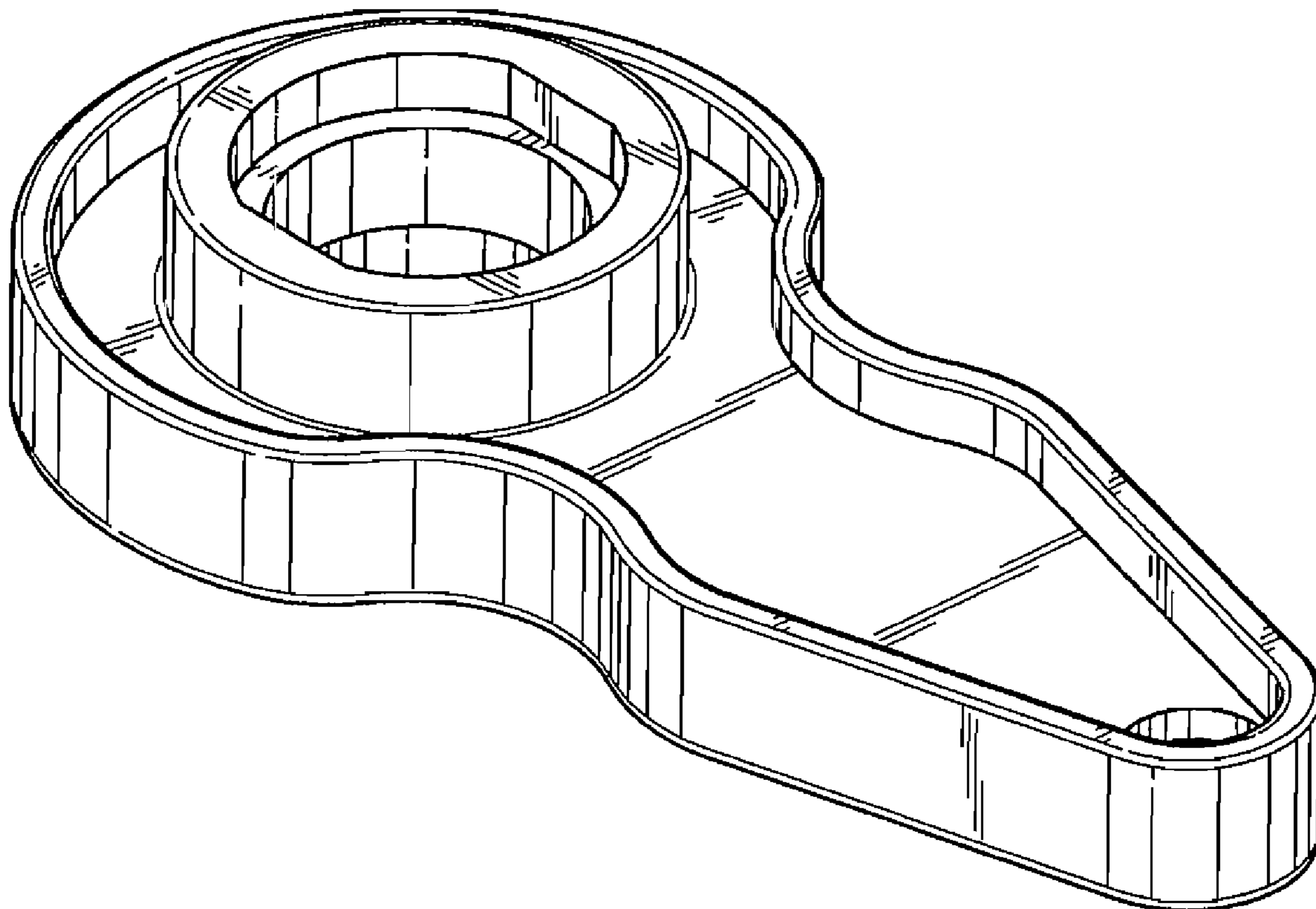
FIG. 4 is a front elevational view thereof, with the rear elevational view being a mirror image thereof;

FIG. 5 is a bottom plan view thereof;

FIG. 6 is a right side elevational view thereof; and,

FIG. 7 is a left side elevational view thereof.

**1 Claim, 3 Drawing Sheets**



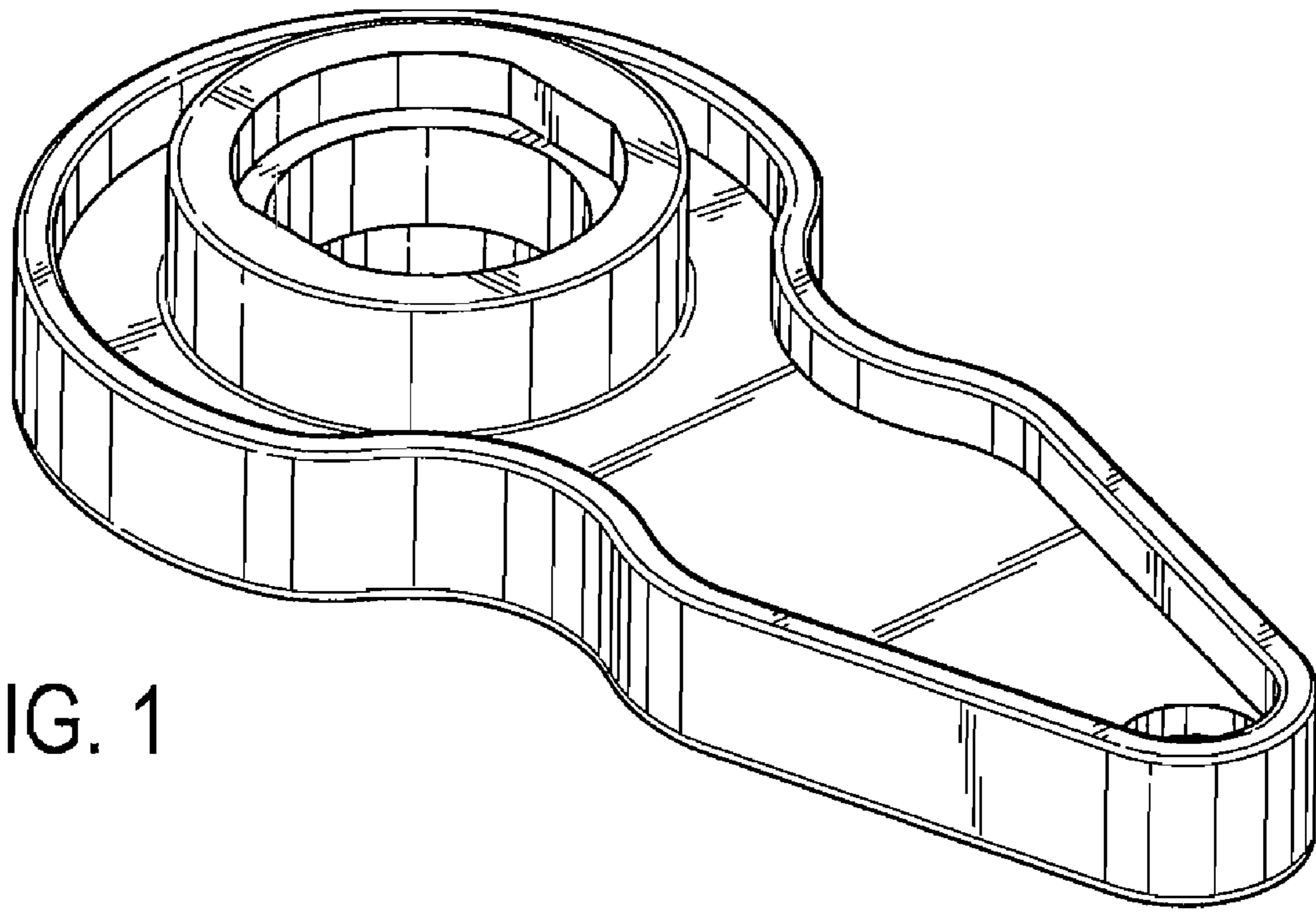


FIG. 1

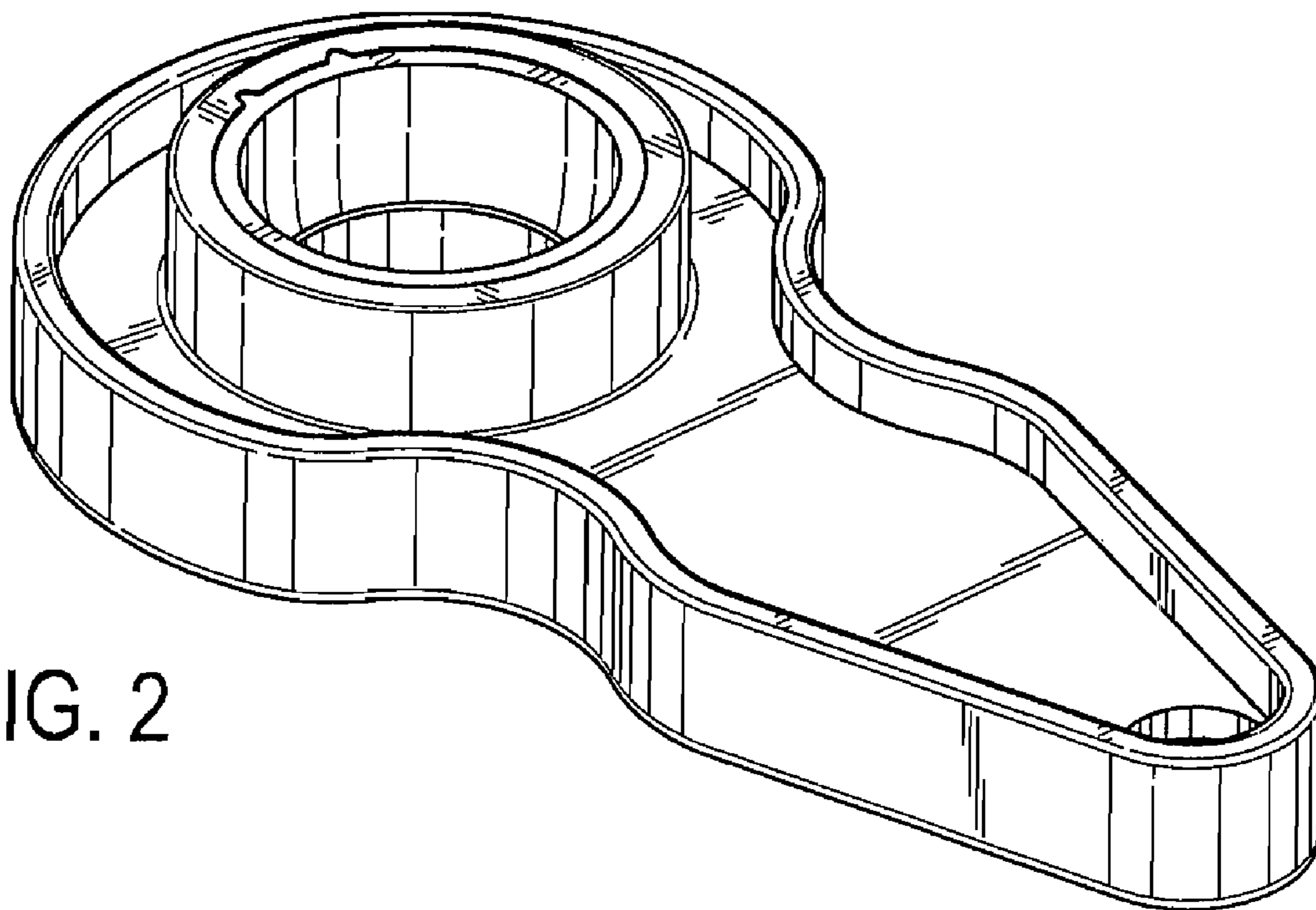


FIG. 2

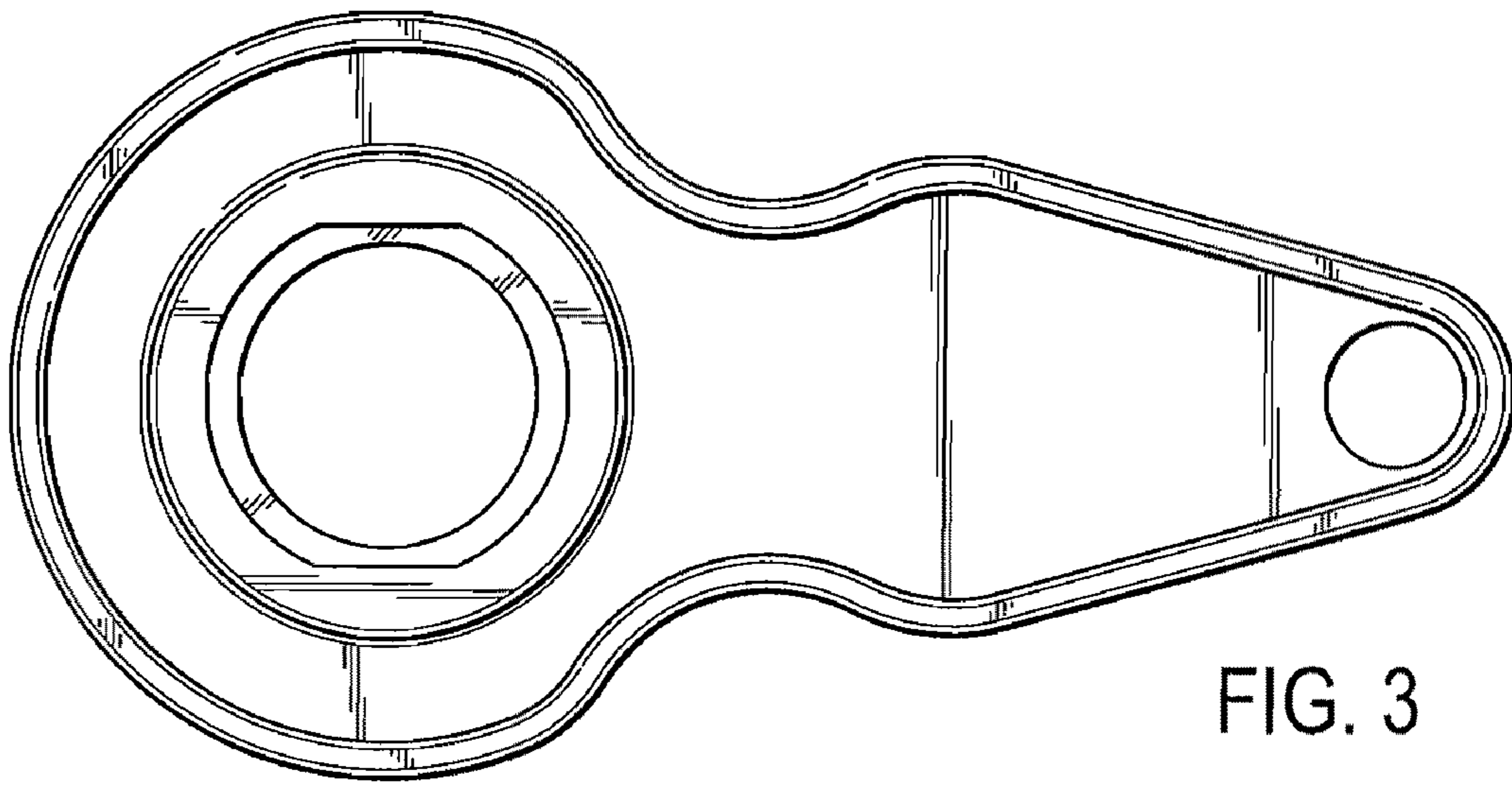


FIG. 3

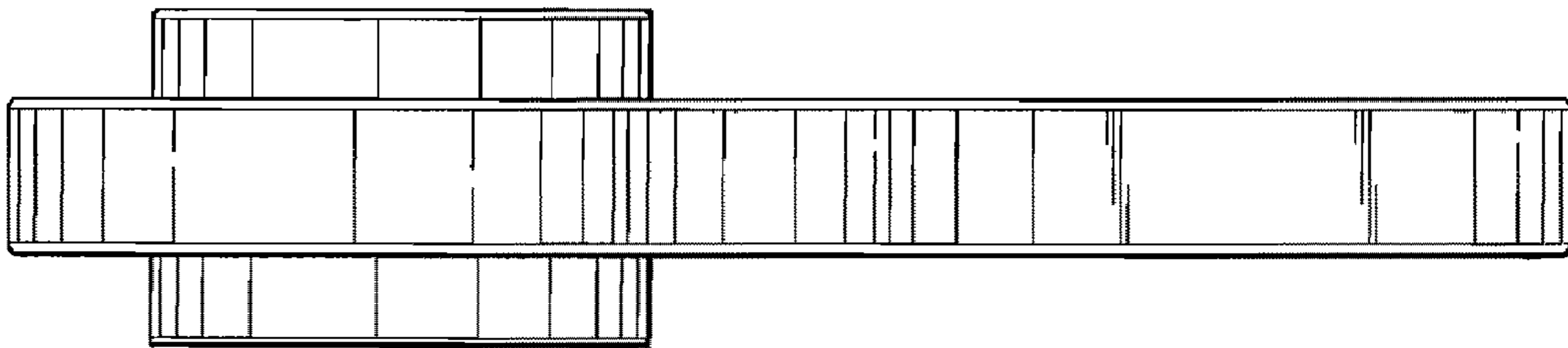


FIG. 4

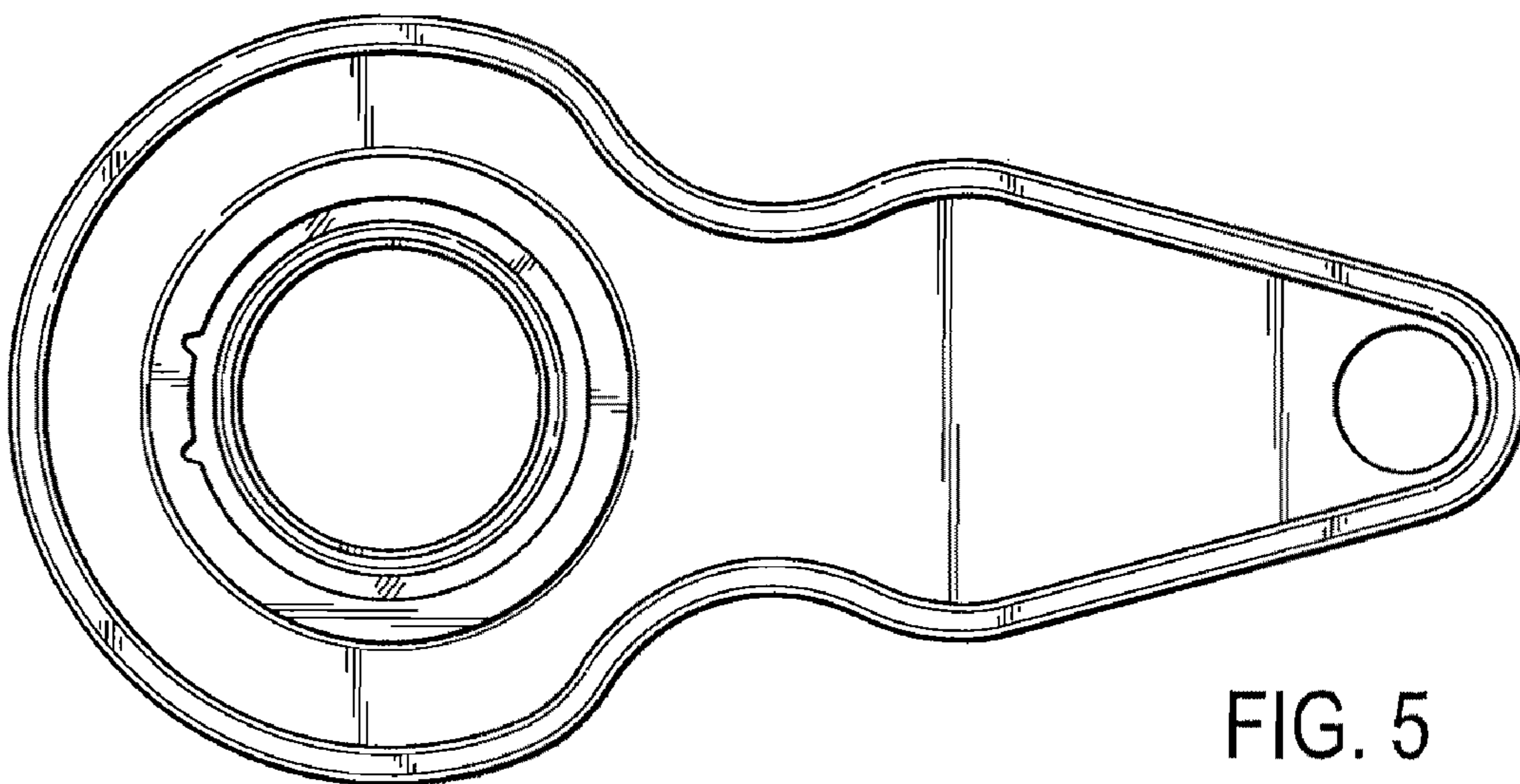


FIG. 5

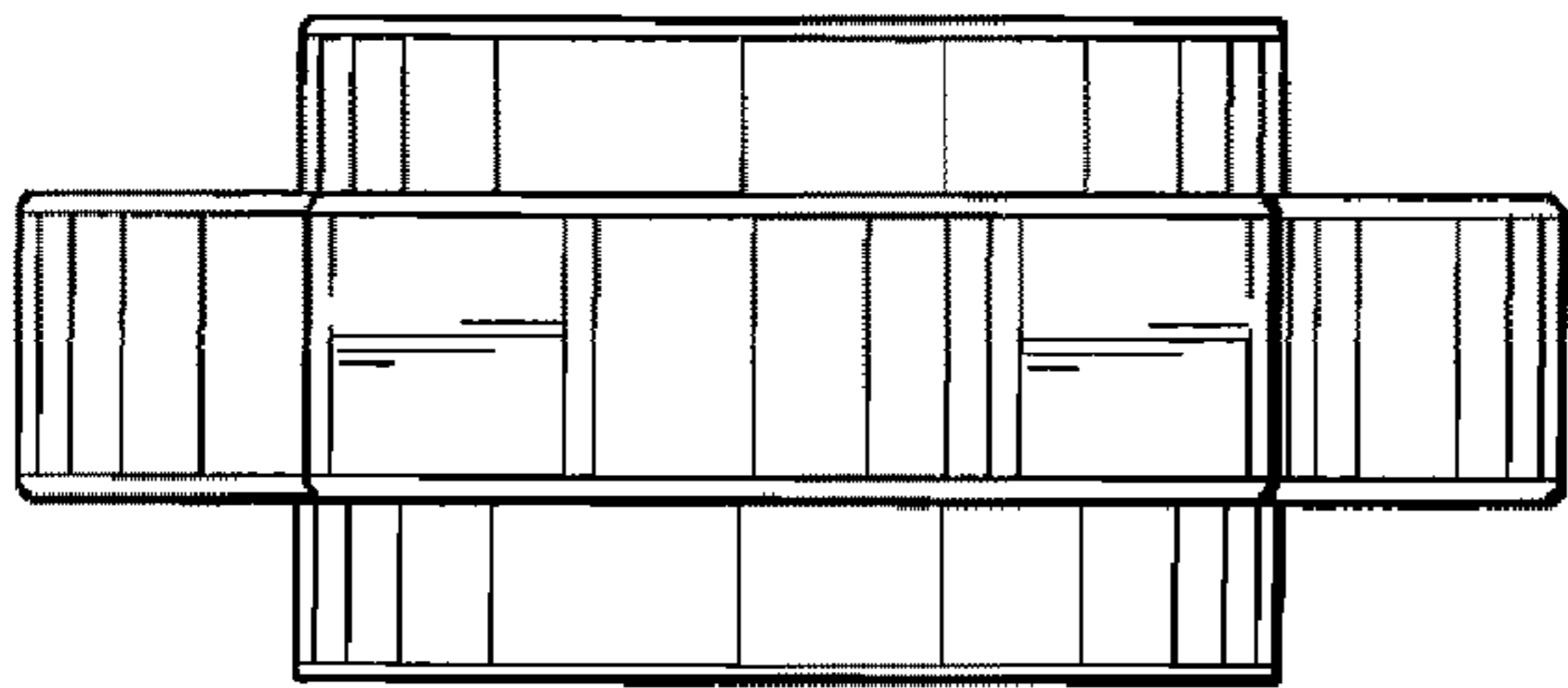


FIG. 6

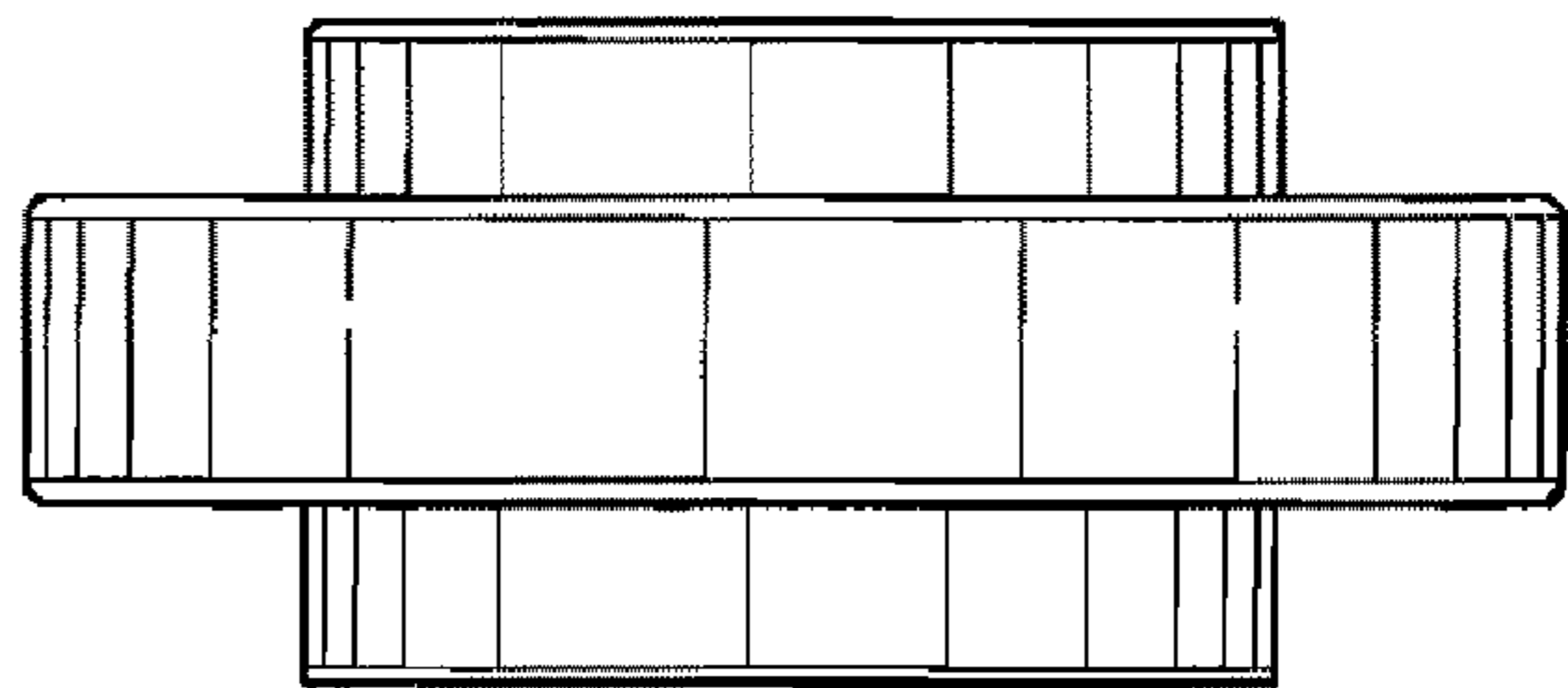


FIG. 7