

US00D595112S

(12) **United States Design Patent**
Zorc et al.

(10) **Patent No.:** **US D595,112 S**
(45) **Date of Patent:** **** Jun. 30, 2009**

(54) **PADLOCK JACKET**

2008/0012686 A1* 1/2008 Bonestroo 340/5.53

(75) Inventors: **Philip Zorc**, Foothill Ranch, CA (US);
Ashton Good, Foothill Ranch, CA (US);
Max Beach, Venice, CA (US); **Clint**
Woesner, Venice, CA (US)

* cited by examiner

Primary Examiner—Prabhakar Deshmukh
(74) *Attorney, Agent, or Firm*—William G. Lane

(73) Assignee: **Hampton Products International Corporation**, Foothill Ranch, CA (US)

(57) **CLAIM**

The ornamental design for a padlock jacket, as shown and described.

(**) Term: **14 Years**

(21) Appl. No.: **29/310,764**

DESCRIPTION

(22) Filed: **Sep. 9, 2008**

FIG. 1 is a front perspective view of a padlock jacket showing our new design;

(51) **LOC (9) Cl.** **08-07**

FIG. 2 is a rear perspective view thereof;

(52) **U.S. Cl.** **D8/343; D8/334**

FIG. 3 is a front elevation view thereof;

(58) **Field of Classification Search** D8/330,
D8/331, 334, 336, 338, 343, 346, 339; 70/14,
70/20, 24, 25, 31, 35, 38 A, 51–56, 91, 141,
70/DIG. 3, DIG. 4, DIG. 43, DIG. 56

FIG. 4 is a right side elevational view thereof, the left side elevational view being a mirror image thereof;

See application file for complete search history.

FIG. 5 is a rear elevational view thereof;

(56) **References Cited**

FIG. 6 is a top plan view thereof; and,

U.S. PATENT DOCUMENTS

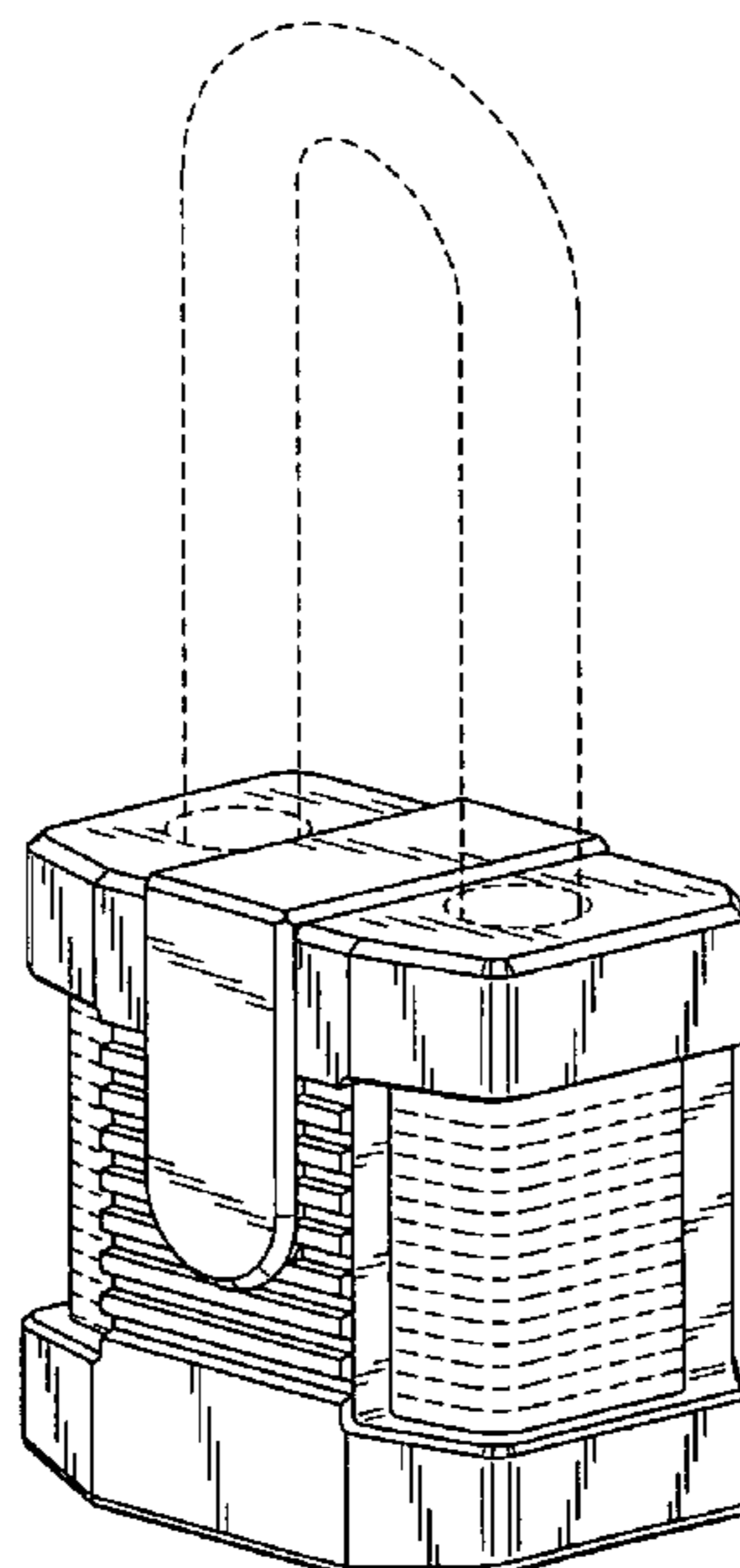
FIG. 7 is a bottom plan view thereof.

The portions shown in broken lines are for illustrative purpose only and form no part of the claimed design.

D143,243 S *	12/1945	Soref	D5/14
3,453,758 A *	7/1969	Foote et al.	40/665
4,224,813 A *	9/1980	Hampton	70/51
4,226,100 A *	10/1980	Hampton et al.	70/51
4,317,344 A *	3/1982	Barnard	70/55
5,761,935 A *	6/1998	Adelmeyer	70/55
D423,324 S *	4/2000	Liu	D8/334
6,539,754 B1 *	4/2003	Fang	70/52
D537,703 S *	3/2007	Kearns et al.	D8/334
7,380,425 B2 *	6/2008	Elliott et al.	70/56
D577,278 S *	9/2008	Rohde et al.	D8/334
D578,864 S *	10/2008	Rohde et al.	D8/334

The new and ornamental design of the padlock jacket is the exposed part of the padlock and does not include the shackle (FIGS. 1–5), the laminates of the lock body (FIGS. 1–5), the cylinder plug key entry in the base of the lock body (FIG. 7), the heads of the lock body rivets in the base of the lock body (FIG. 7), or the U-shaped tabs at the base of the body (FIG. 7). The shackle, the cylinder plug key entry, the heads of the lock rivets, and the U-shaped tabs are shown in broken line or phantom in the drawings and are not part of the design.

1 Claim, 3 Drawing Sheets



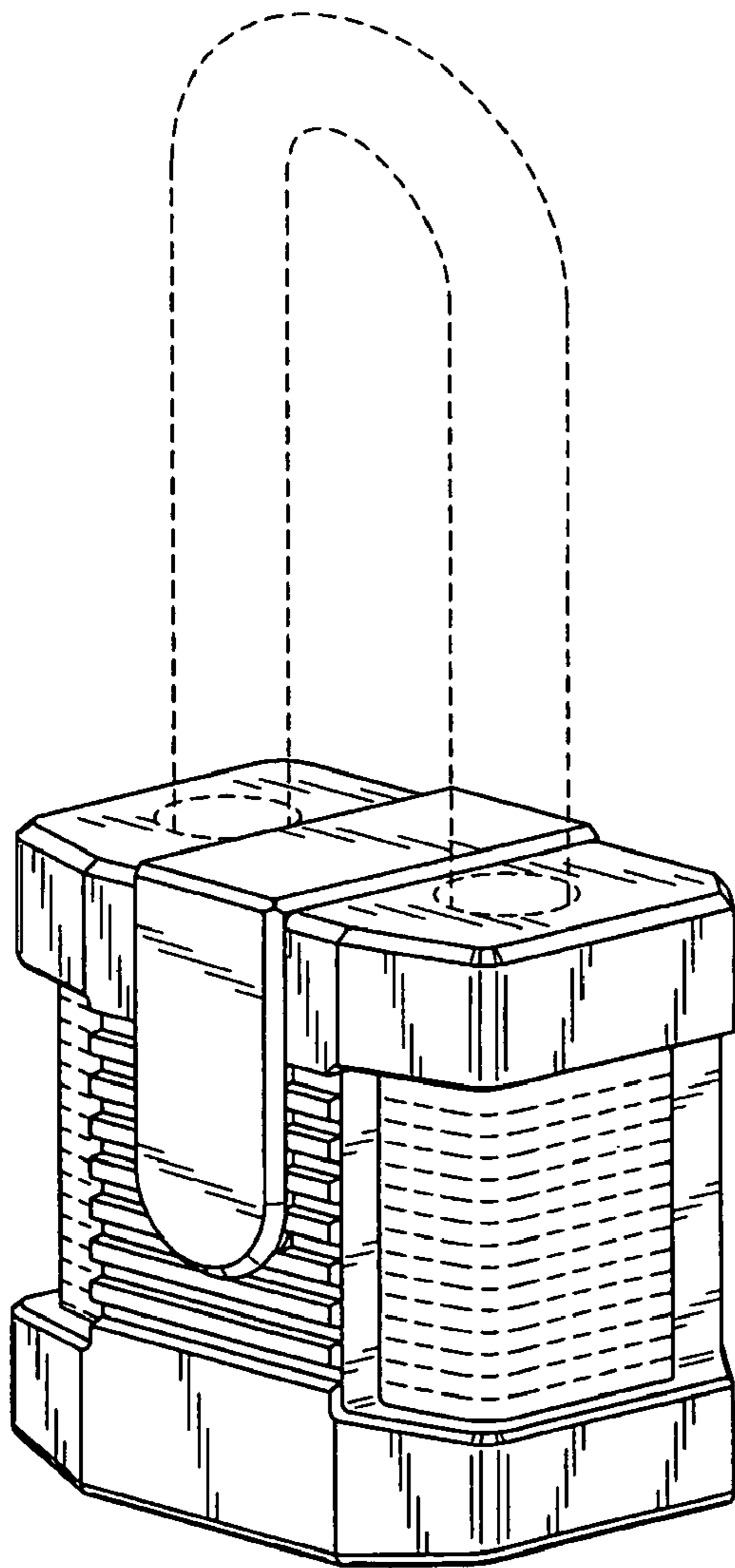


Fig. 1

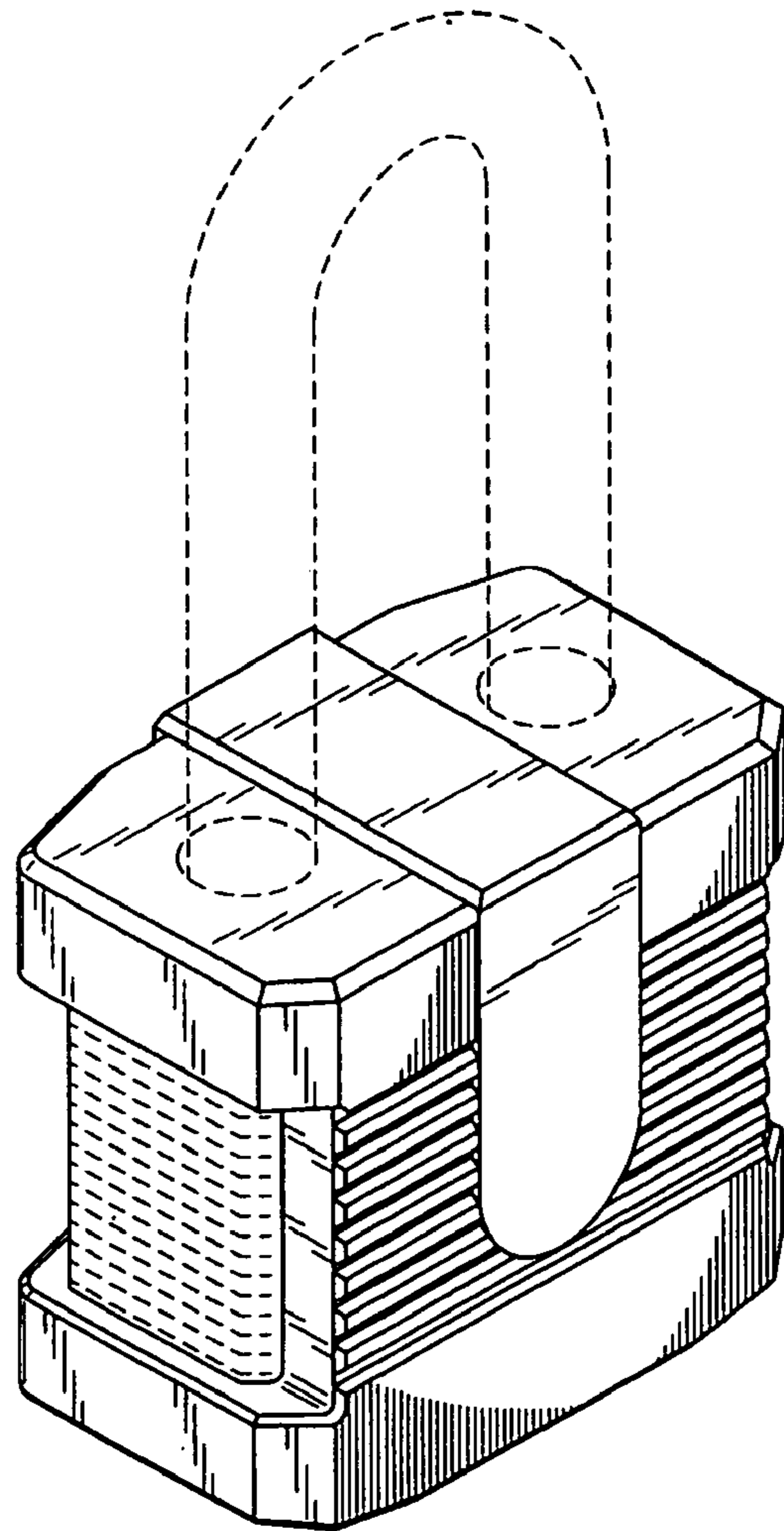


Fig. 2

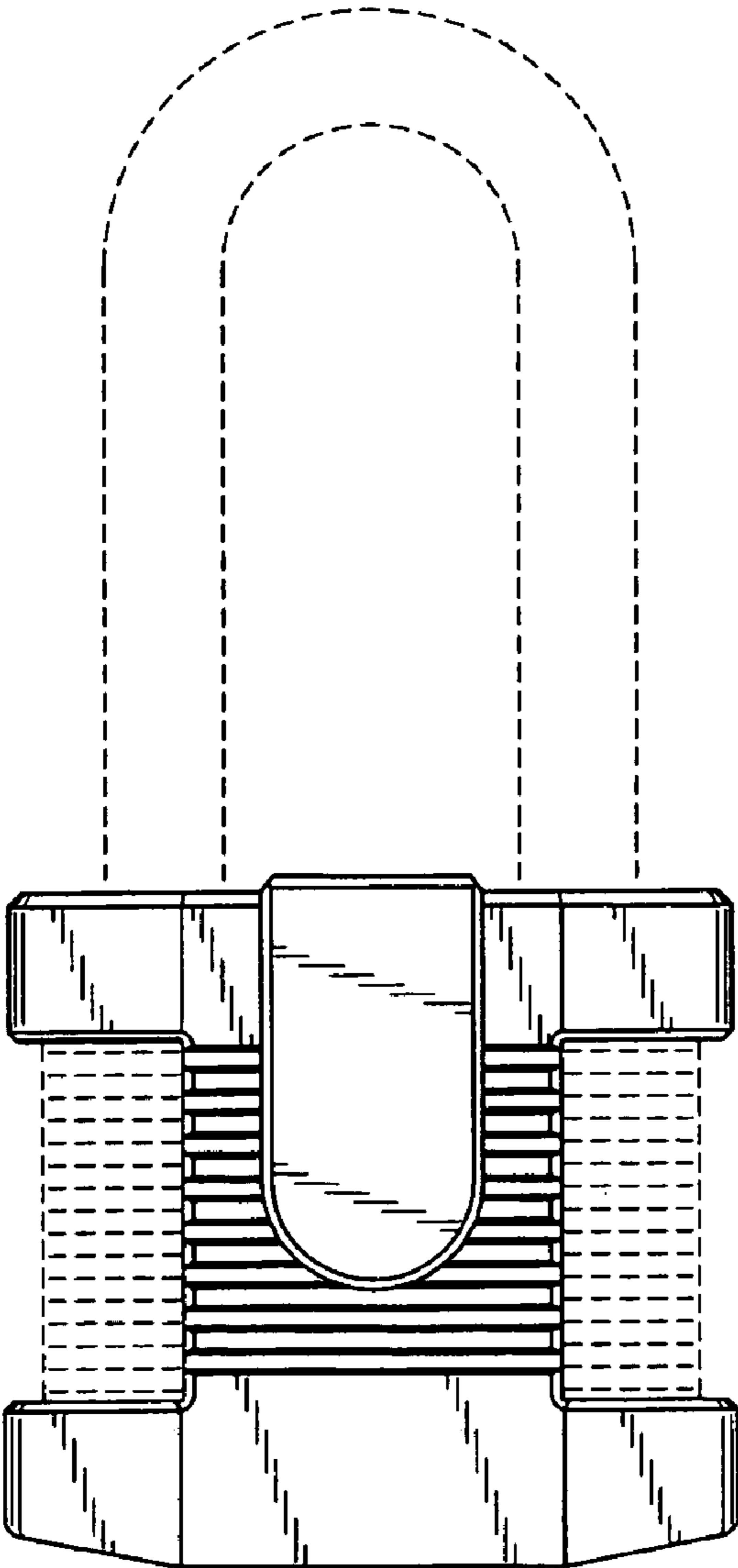


Fig. 3

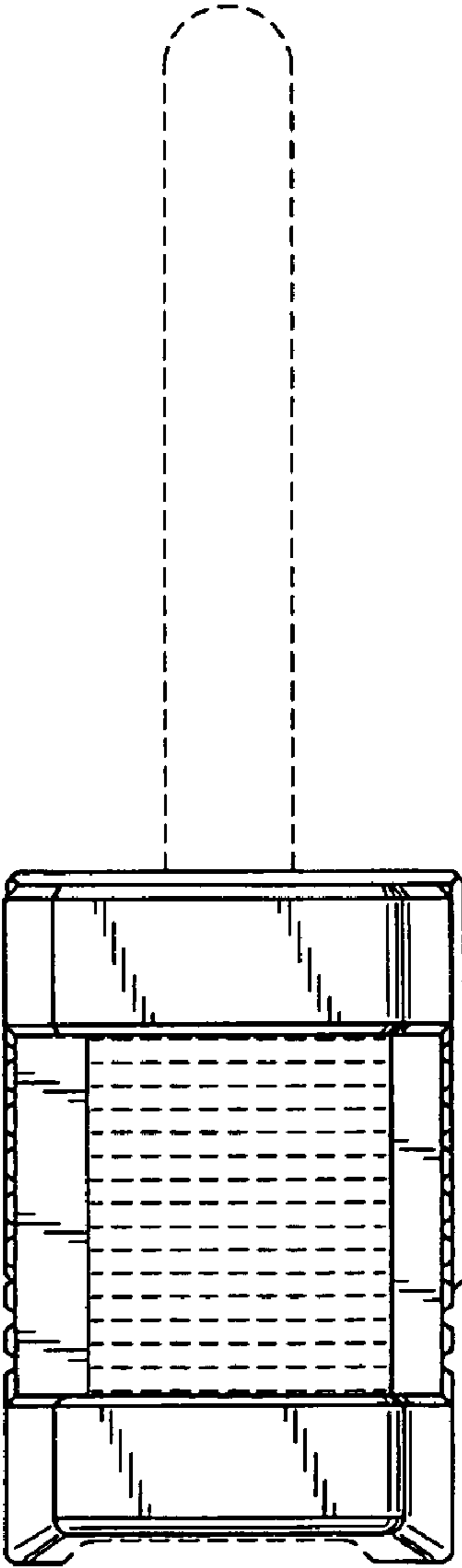


Fig. 4

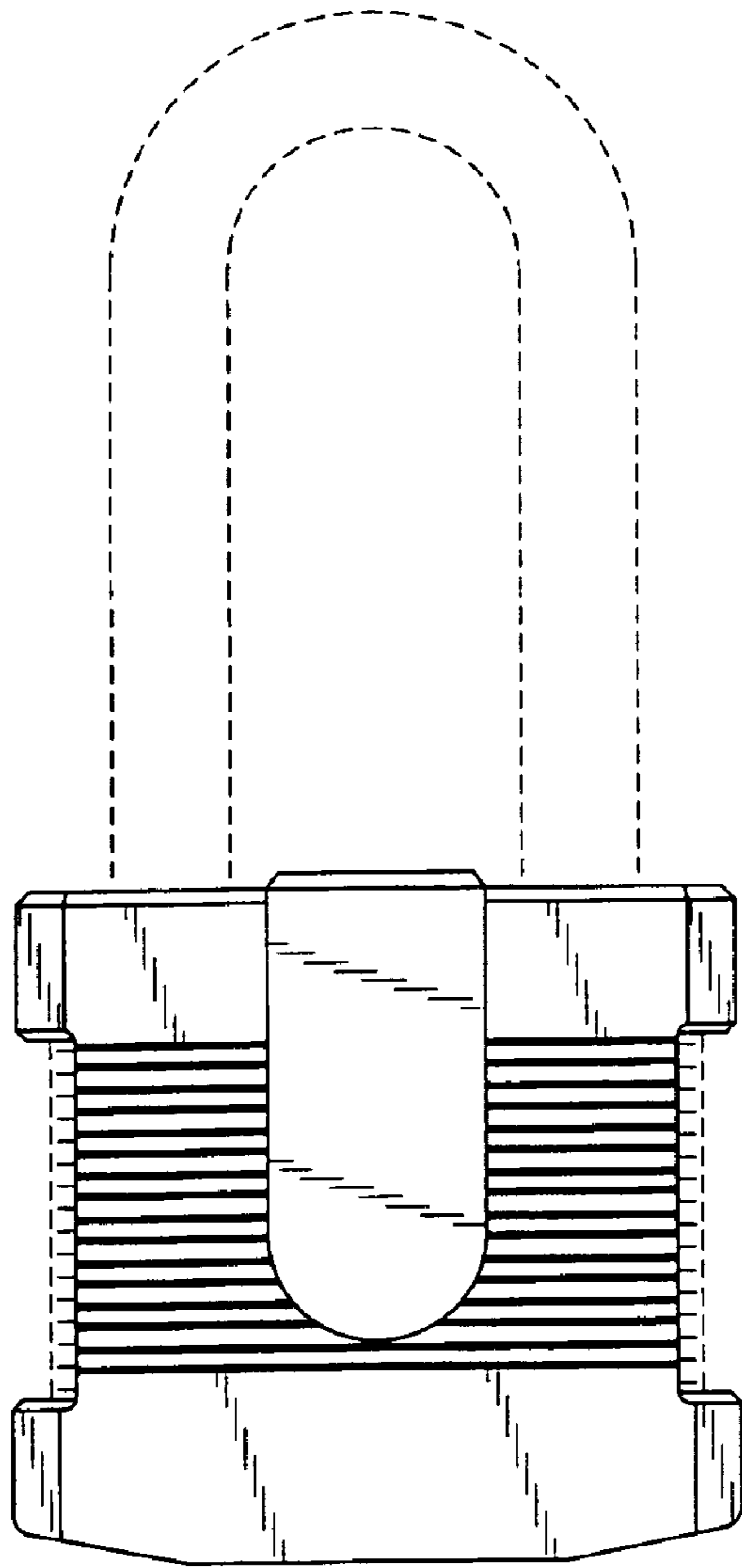


Fig. 5

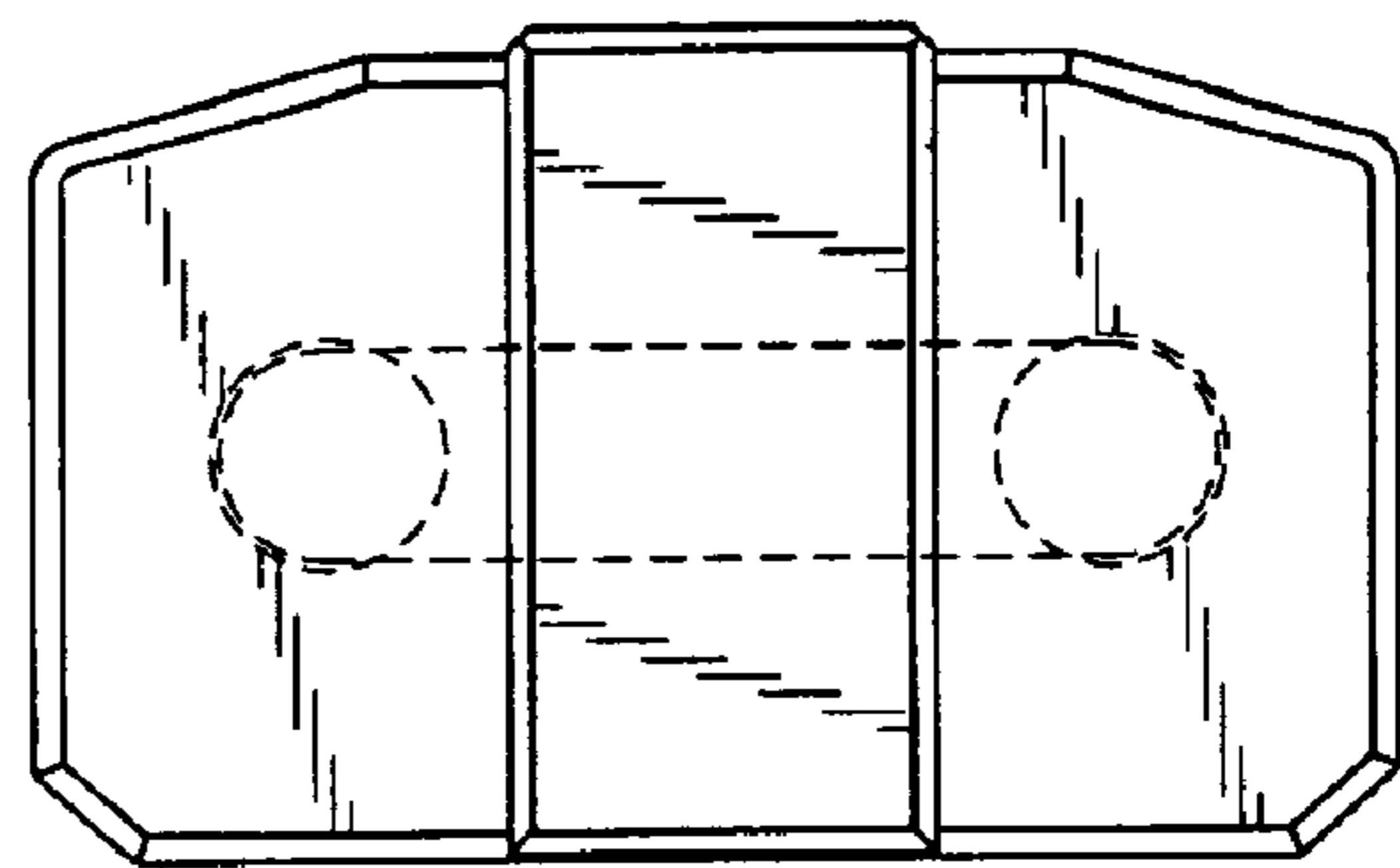


Fig. 6

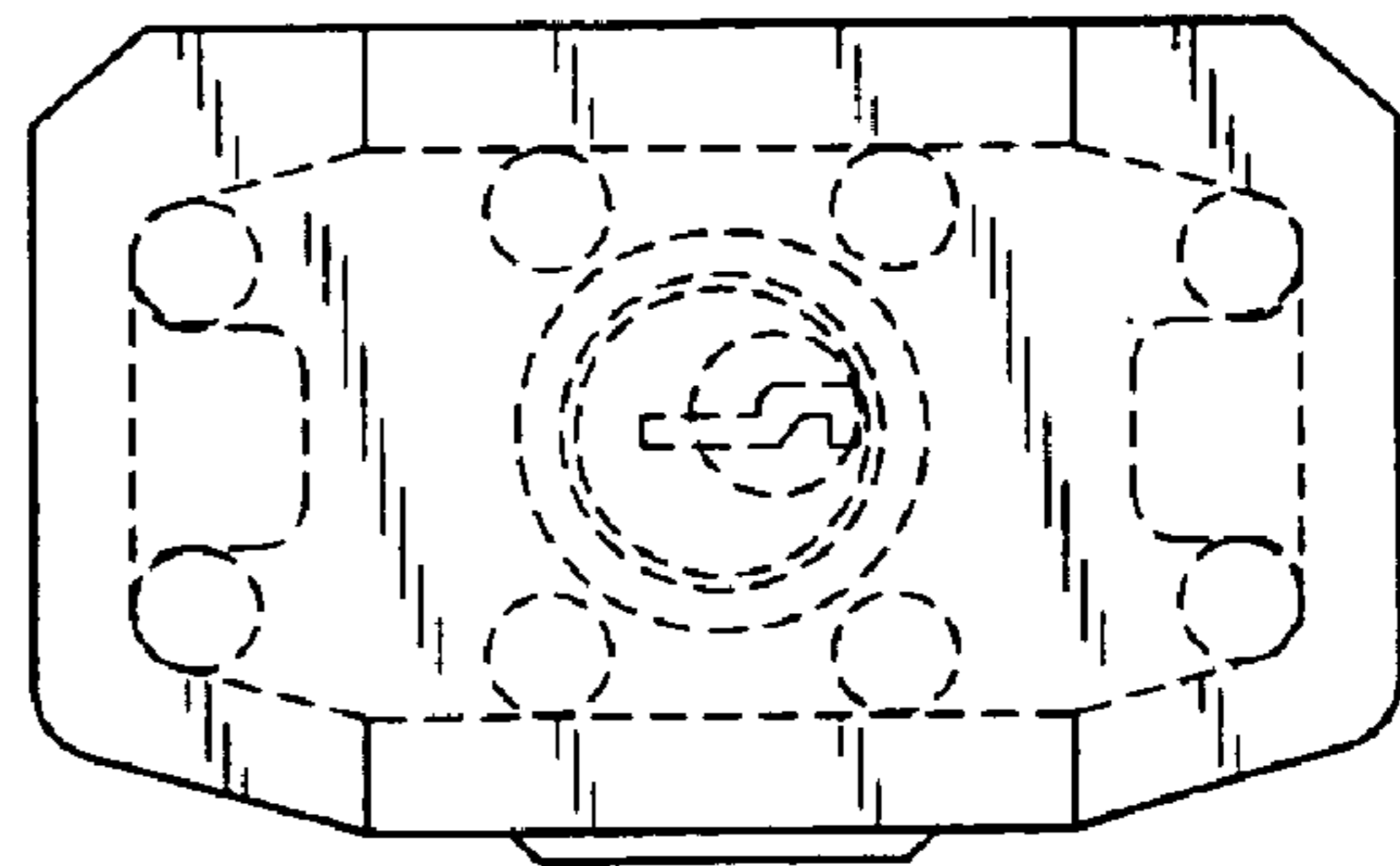


Fig. 7