



US00D595110S

(12) **United States Design Patent**
Berstler et al.

(10) **Patent No.:** **US D595,110 S**
(45) **Date of Patent:** **** Jun. 30, 2009**

(54) **CASEMENT WINDOW FOLDING HANDLE AND COVER**
(75) Inventors: **Russell A. Berstler**, Warroad, MN (US);
Johannes N. Gaston, Minnetonka, MN (US); **Douglas J. VanOrnum**,
Minnetonka, MN (US)

6,450,063 B1 * 9/2002 Harvey et al. 74/547
D487,012 S * 2/2004 Stoll et al. D8/337
D497,304 S * 10/2004 Stoll et al. D8/337
D503,083 S * 3/2005 Schlack D8/331
D528,400 S * 9/2006 Vetter D8/331
D533,434 S * 12/2006 Riblett et al. D8/331
D584,595 S * 1/2009 Gray D8/331

(73) Assignee: **Marvin Lumber and Cedar Company**,
Warroad, MN (US)

* cited by examiner

(**) Term: **14 Years**

Primary Examiner—Prabhakar Deshmukh
(74) *Attorney, Agent, or Firm*—Schwegman, Lundberg &
Woessner, P.A.

(21) Appl. No.: **29/317,515**

(57) **CLAIM**

(22) Filed: **Apr. 30, 2008**

The ornamental design for a casement window folding handle and cover, as shown and described.

(51) **LOC (9) Cl.** **08-07**
(52) **U.S. Cl.** **D8/337; D8/331**
(58) **Field of Classification Search** D8/330,
D8/331, 336, 337, 338, 343, 301, 302; 70/89,
70/137, 141, 192, 260, 431, DIG. 20; 292/101,
292/96, 100, 336.3, 196, 241, 137, 344, DIG. 30,
292/DIG. 33

DESCRIPTION

See application file for complete search history.

FIG. 1 is a perspective view of a casement window folding handle and cover showing our new design;
FIG. 2 is a front elevational view thereof;
FIG. 3 is a rear elevational view thereof;
FIG. 4 is a top plan view thereof;
FIG. 5 is a left side elevational view thereof; and,
FIG. 6 is a right side elevational view thereof.

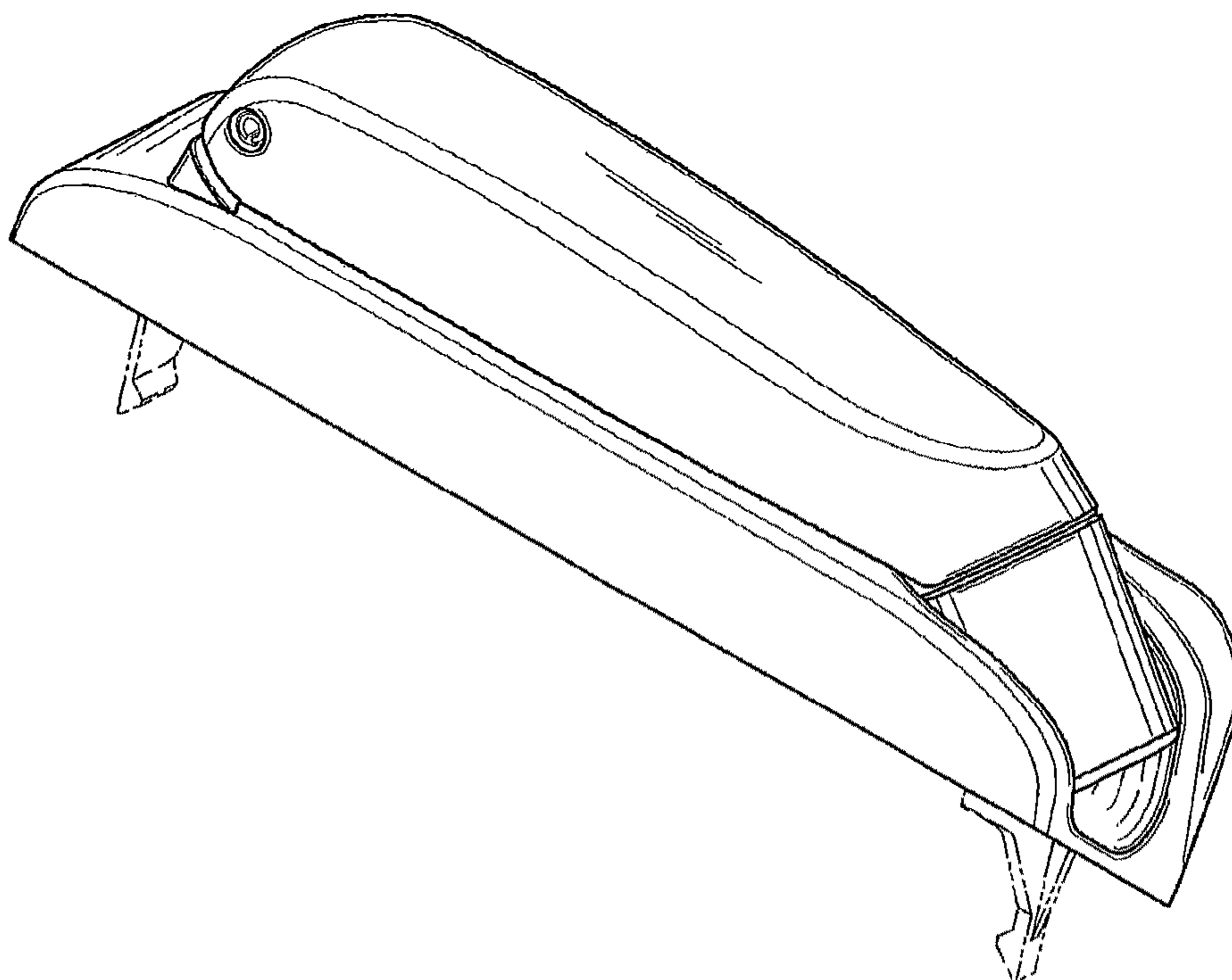
(56) **References Cited**

U.S. PATENT DOCUMENTS

D371,502 S * 7/1996 Morris D8/331
D396,397 S * 7/1998 Swan D8/331
5,927,771 A * 7/1999 Simon et al. 292/241
6,312,275 B1 * 11/2001 Tortorella 439/341
6,354,639 B1 * 3/2002 Minter et al. 292/142
6,367,853 B1 * 4/2002 Briggs 292/336.3

The broken lines, which define the bounds of the claimed design, form no part thereof. Other broken lines are for illustrative purpose only and form no part of the claimed design. The bottom of the design disclaimed.

1 Claim, 3 Drawing Sheets



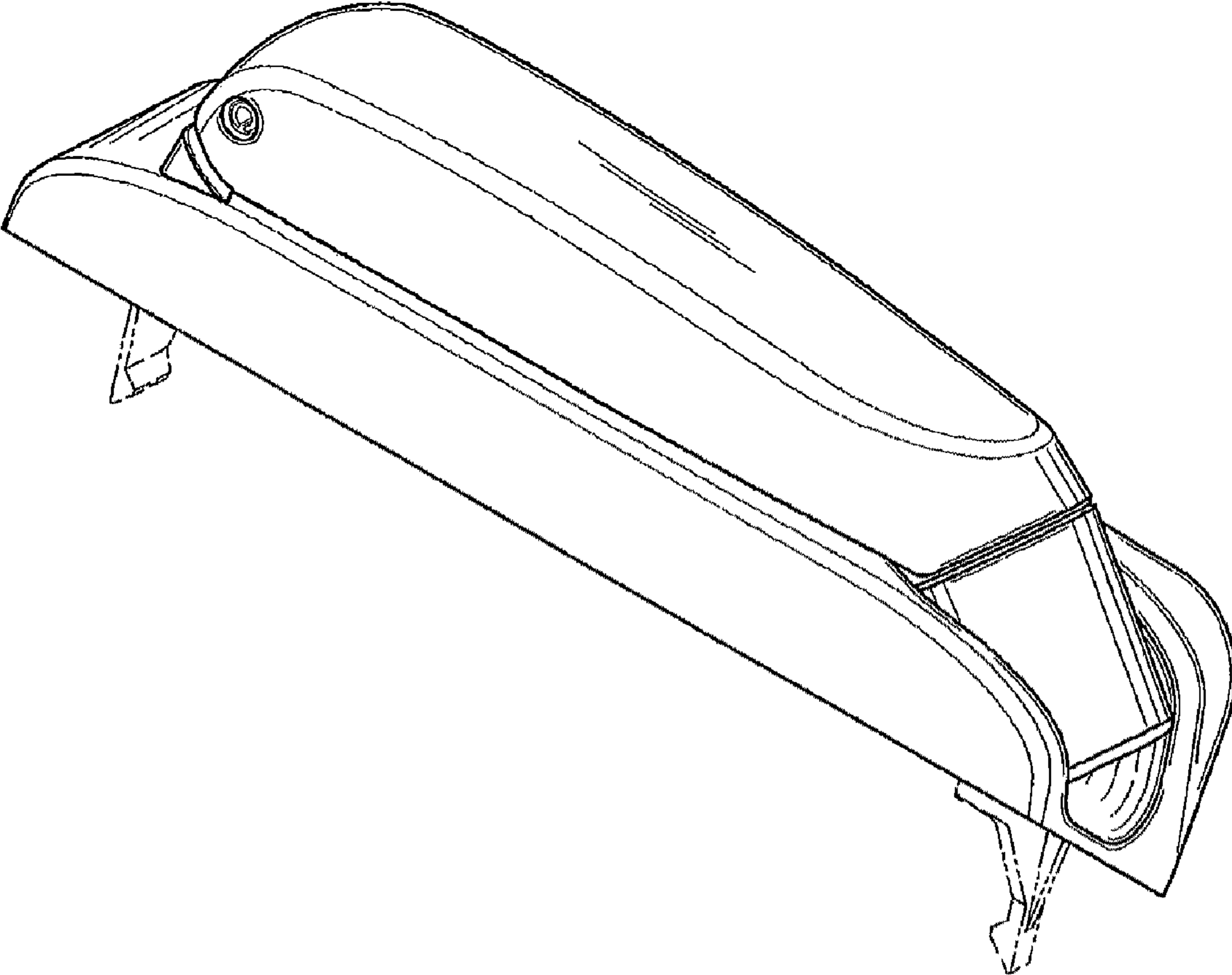


FIG. 1

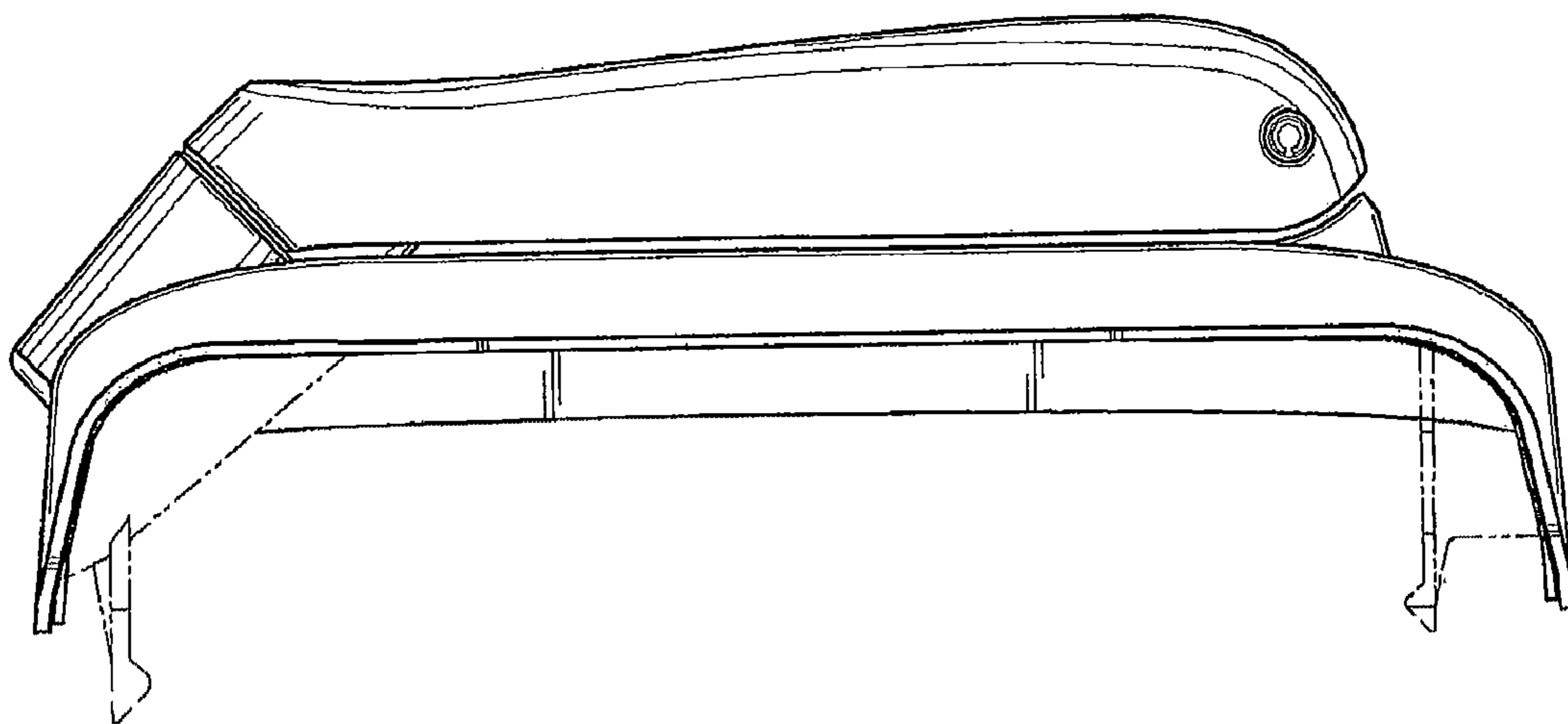


FIG. 2

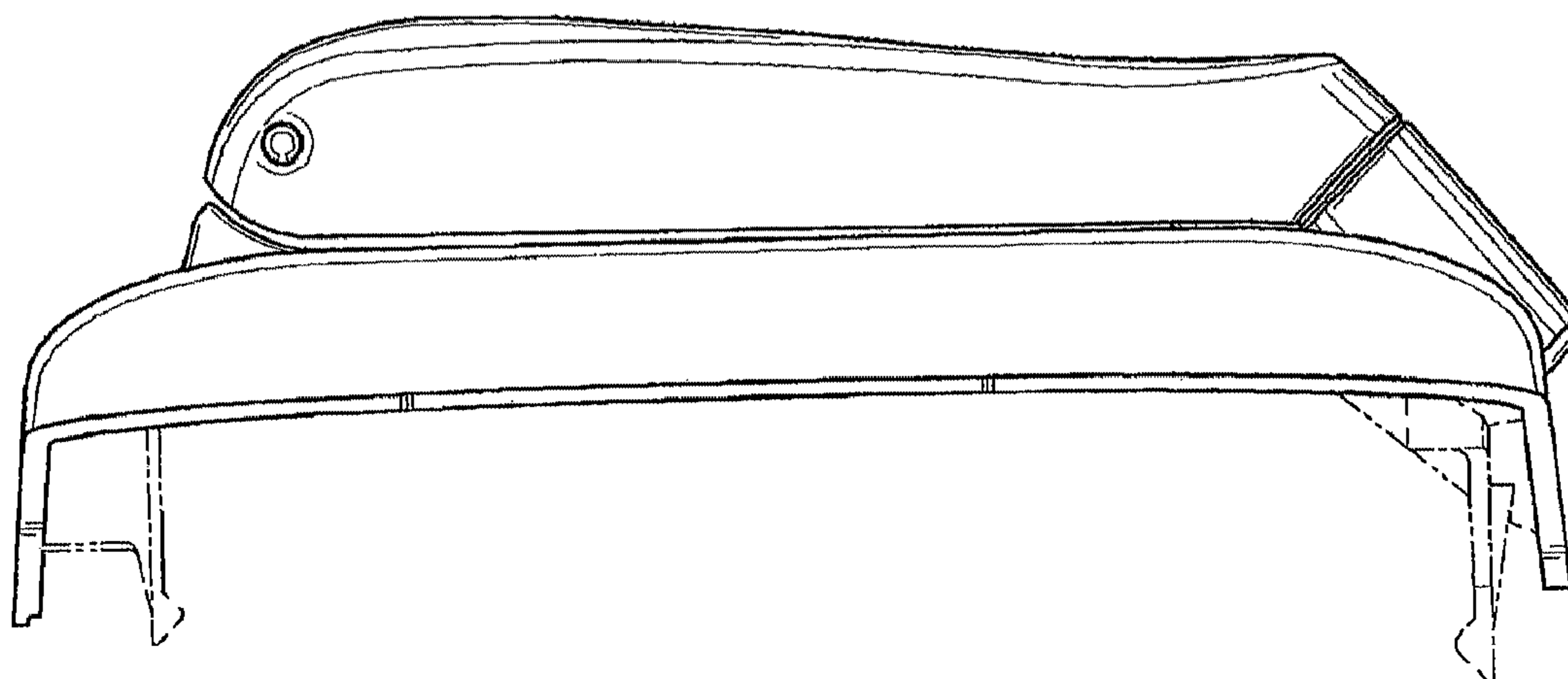


FIG. 3

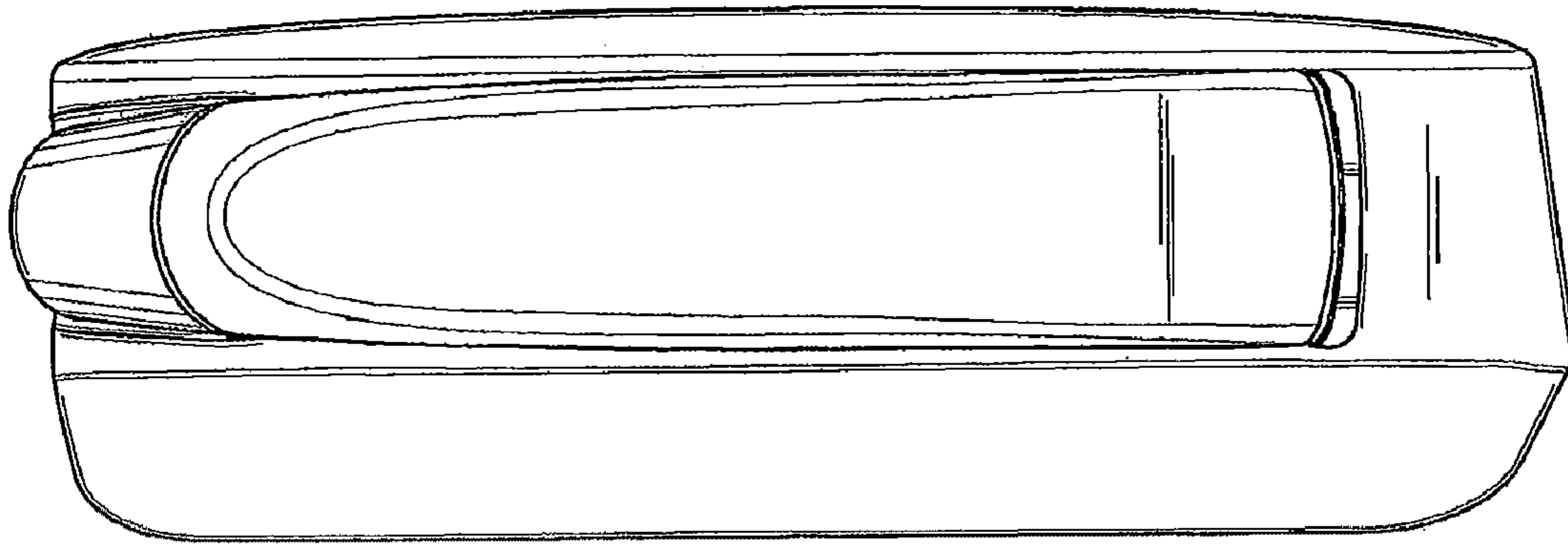


FIG. 4

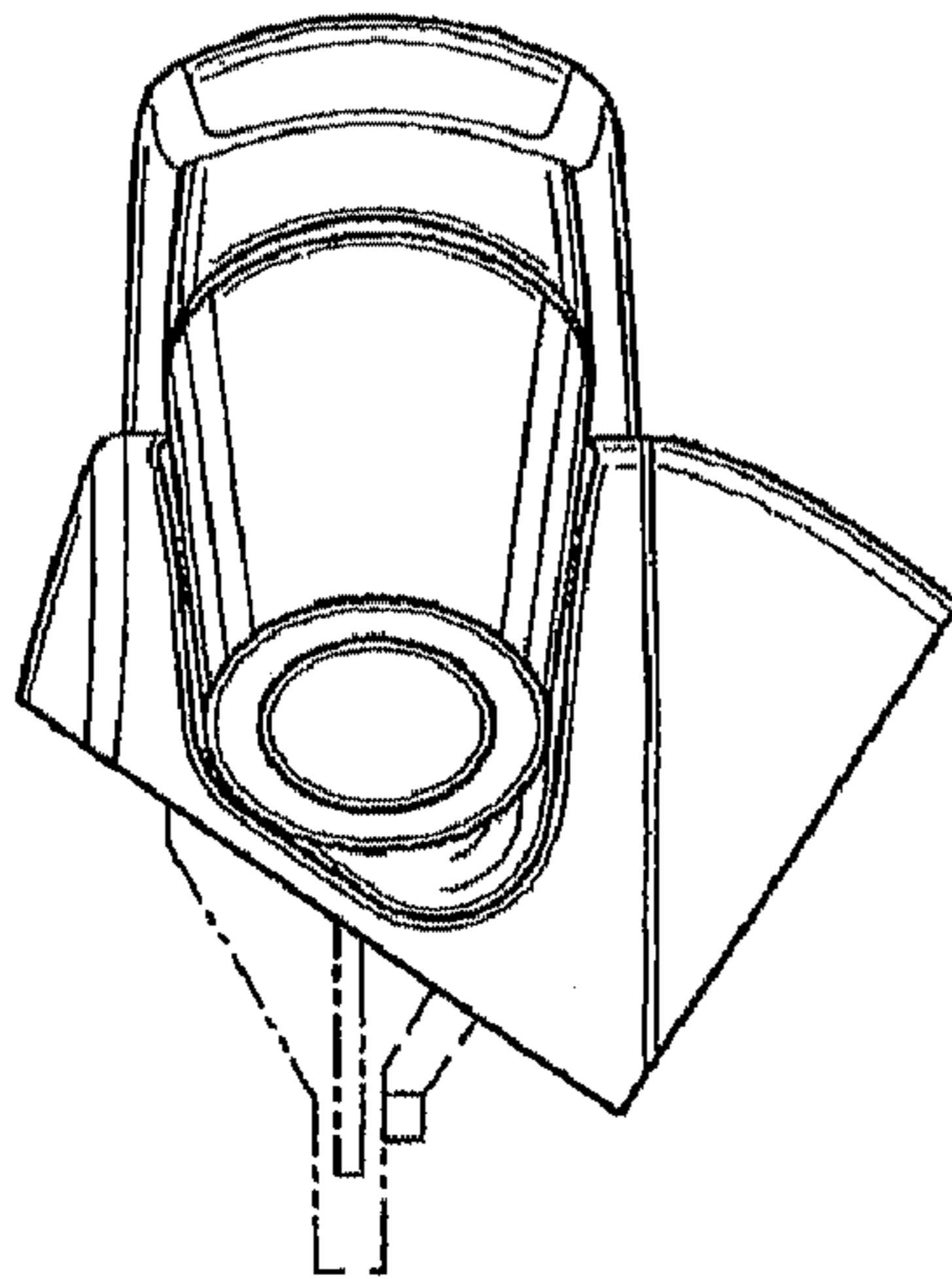


FIG. 5

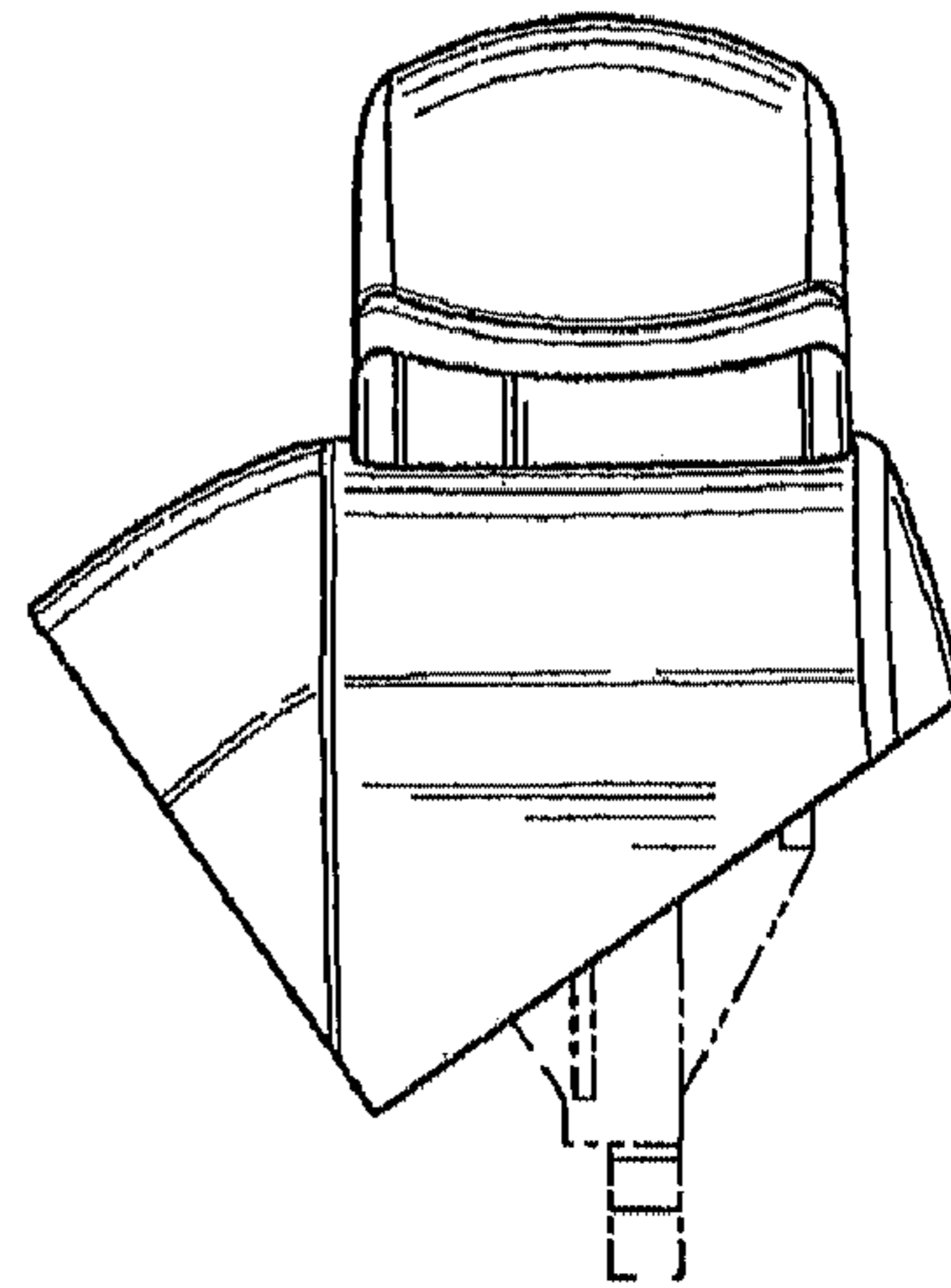


FIG. 6