



US00D595105S

(12) **United States Design Patent**
White

(10) **Patent No.:** **US D595,105 S**

(45) **Date of Patent:** **** Jun. 30, 2009**

(54) **VEHICLE ESCAPE TOOL**

D571,180 S * 6/2008 Marshall D8/98
D577,562 S * 9/2008 Lin et al. D8/105

(76) **Inventor:** **James Dale White**, P.O. Box 873969,
Wasilla, AK (US) 99687

* cited by examiner

(**) **Term:** **14 Years**

Primary Examiner—Philip S Hyder

(74) *Attorney, Agent, or Firm*—Robert O. Blinn

(21) **Appl. No.:** **29/310,263**

(57) **CLAIM**

(22) **Filed:** **Aug. 5, 2008**

The ornamental design for a vehicle escape tool, as shown.

(51) **LOC (9) Cl.** **08-05**

(52) **U.S. Cl.** **D8/105; D8/81; D8/98**

(58) **Field of Classification Search** D8/14,
D8/81, 87, 98, 105; 7/144, 145, 146, 147,
7/158, 170

DESCRIPTION

See application file for complete search history.

FIG. 1 is a perspective view of the vehicle escape tool of the present invention showing my new design.

FIG. 2 is a bottom view of the vehicle escape tool of the present invention showing my new design.

FIG. 3 is a top view of the vehicle escape tool of the present invention showing my new design.

FIG. 4 is a first end view of the vehicle escape tool of the present invention showing my new design.

FIG. 5 is a second end view of the vehicle escape tool of the present invention showing my new design.

FIG. 6 is a first side view of the vehicle escape tool of the present invention showing my new design; and,

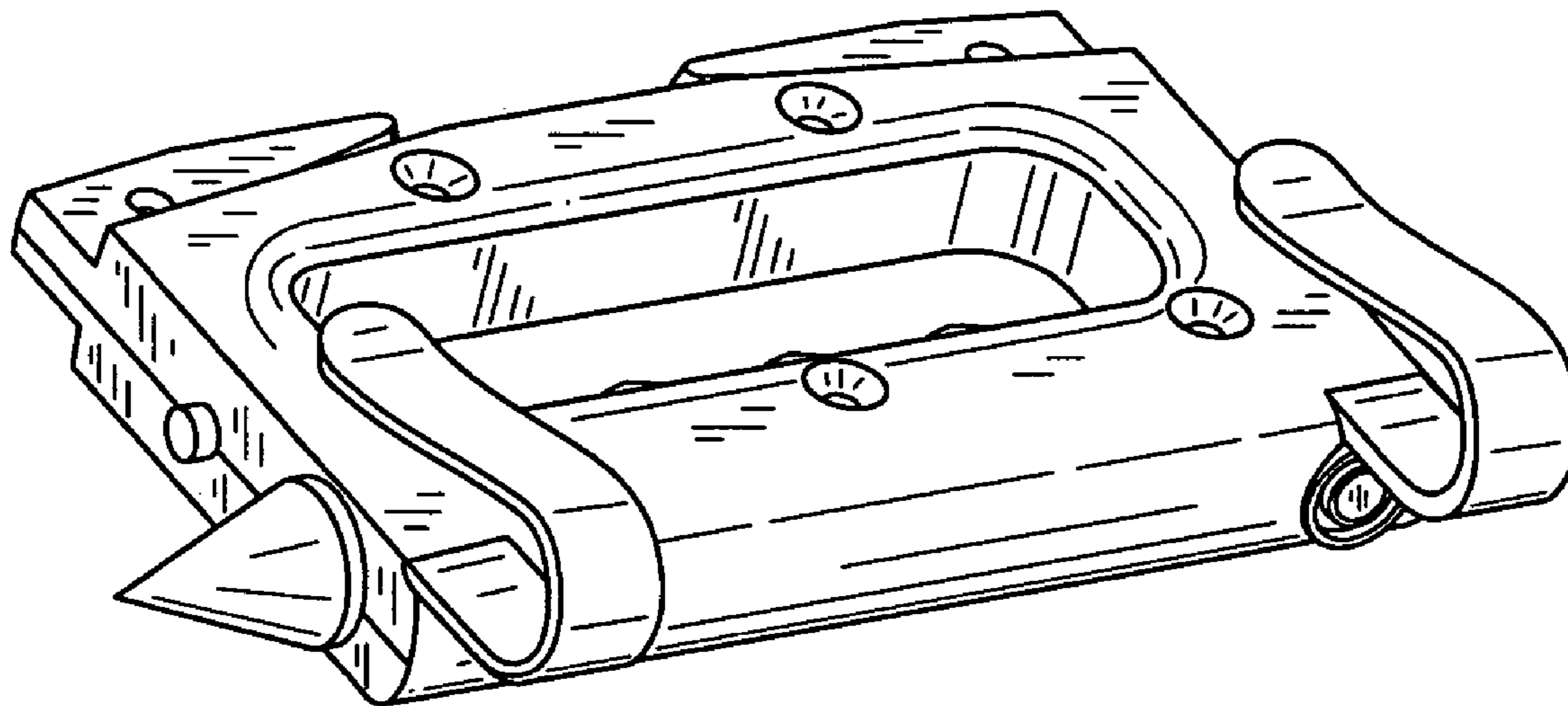
FIG. 7 is a second side view of the vehicle escape tool of the present invention showing my new design.

(56) **References Cited**

U.S. PATENT DOCUMENTS

D290,334 S *	6/1987	Reynolds, Jr.	D8/105
D356,020 S *	3/1995	Costa	D8/105
D385,711 S *	11/1997	Alchin	D6/376
D413,781 S *	9/1999	Wong	D8/81
D417,130 S *	11/1999	Hollinger	D8/81
D420,269 S *	2/2000	Ben-Moshe	D8/81
6,282,740 B1 *	9/2001	Sobotka	7/143
D459,190 S *	6/2002	Chen	D8/105
D472,444 S *	4/2003	Gesheit	D8/81
D498,401 S *	11/2004	Lin et al.	D8/81
D499,003 S *	11/2004	Chiang	D8/81

1 Claim, 4 Drawing Sheets



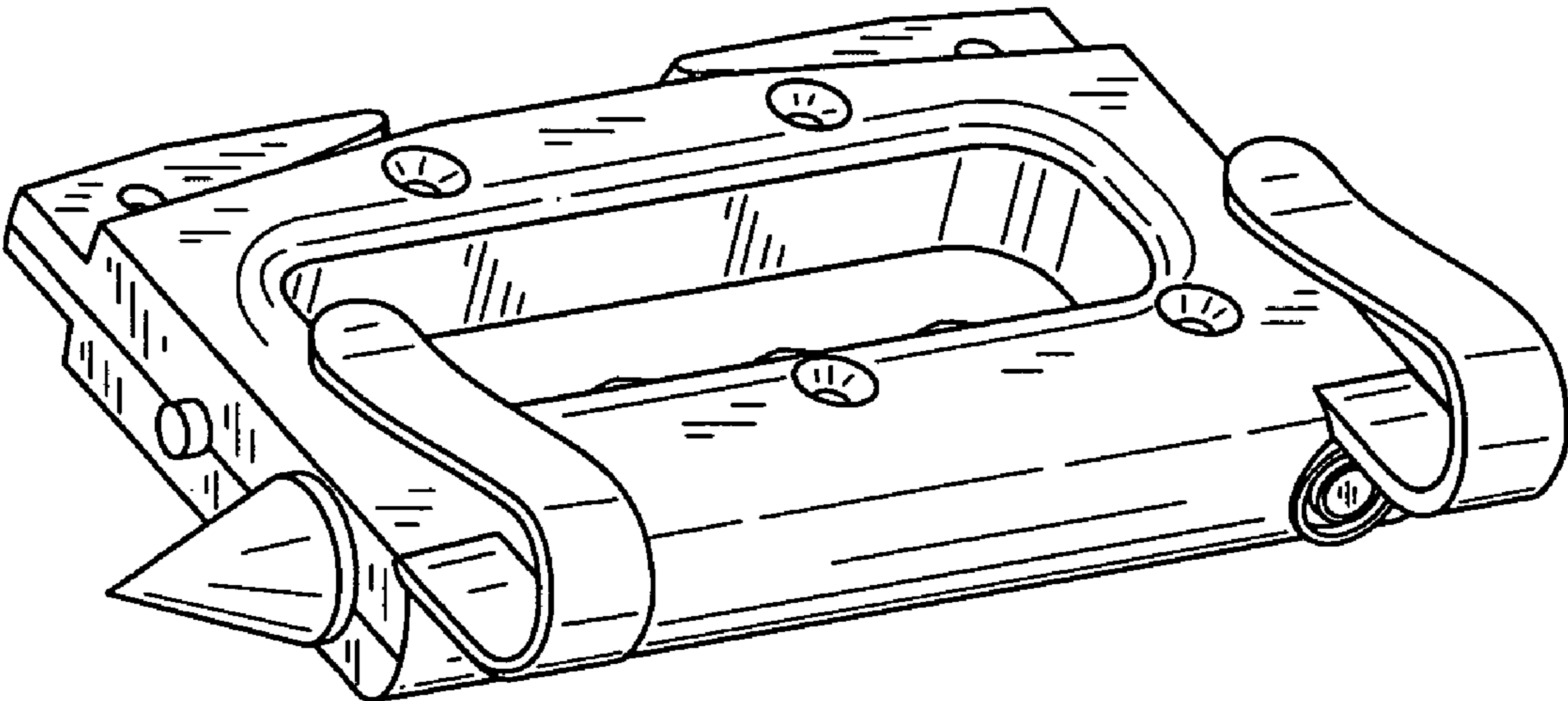


FIG.1

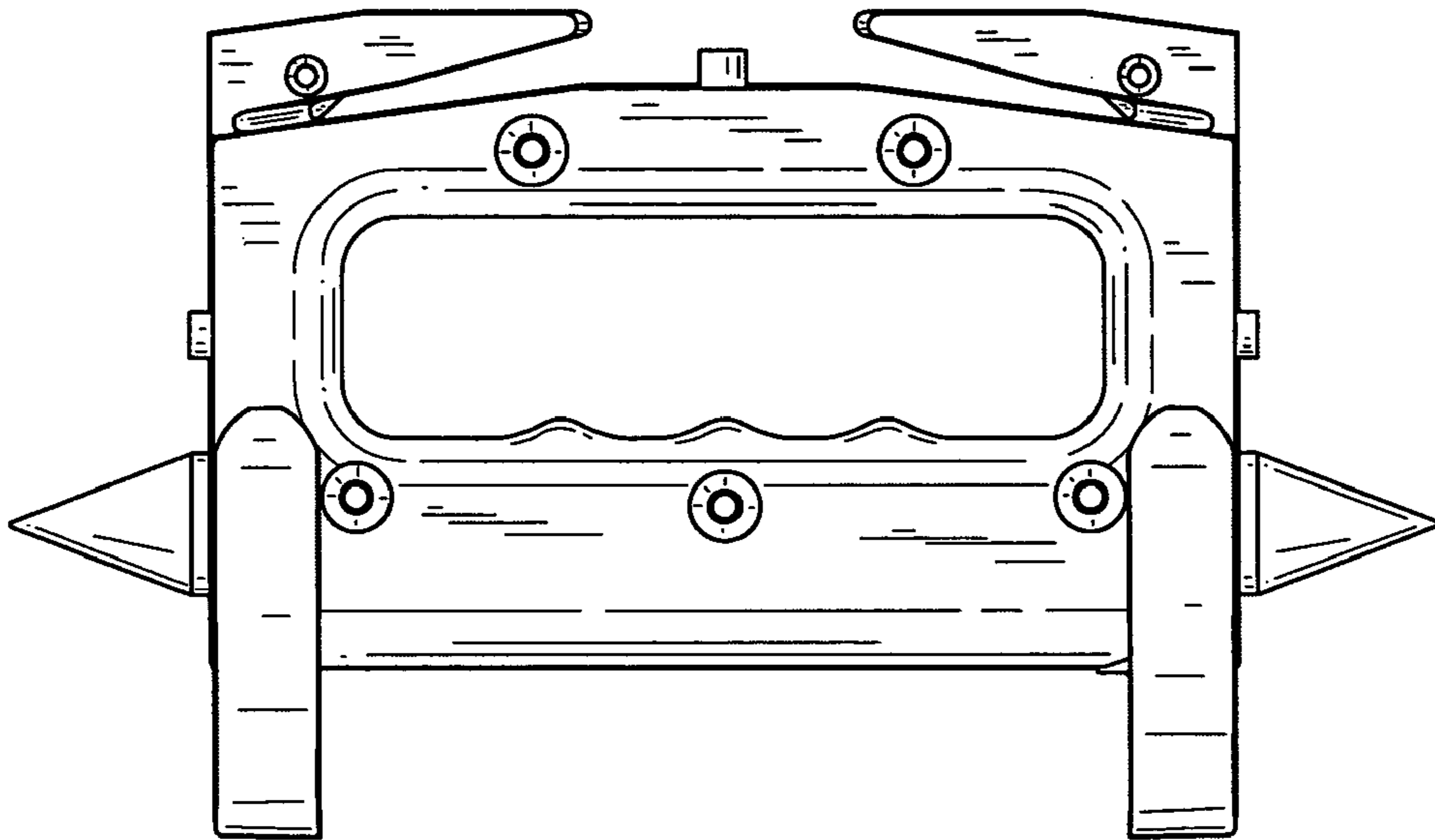


FIG. 2

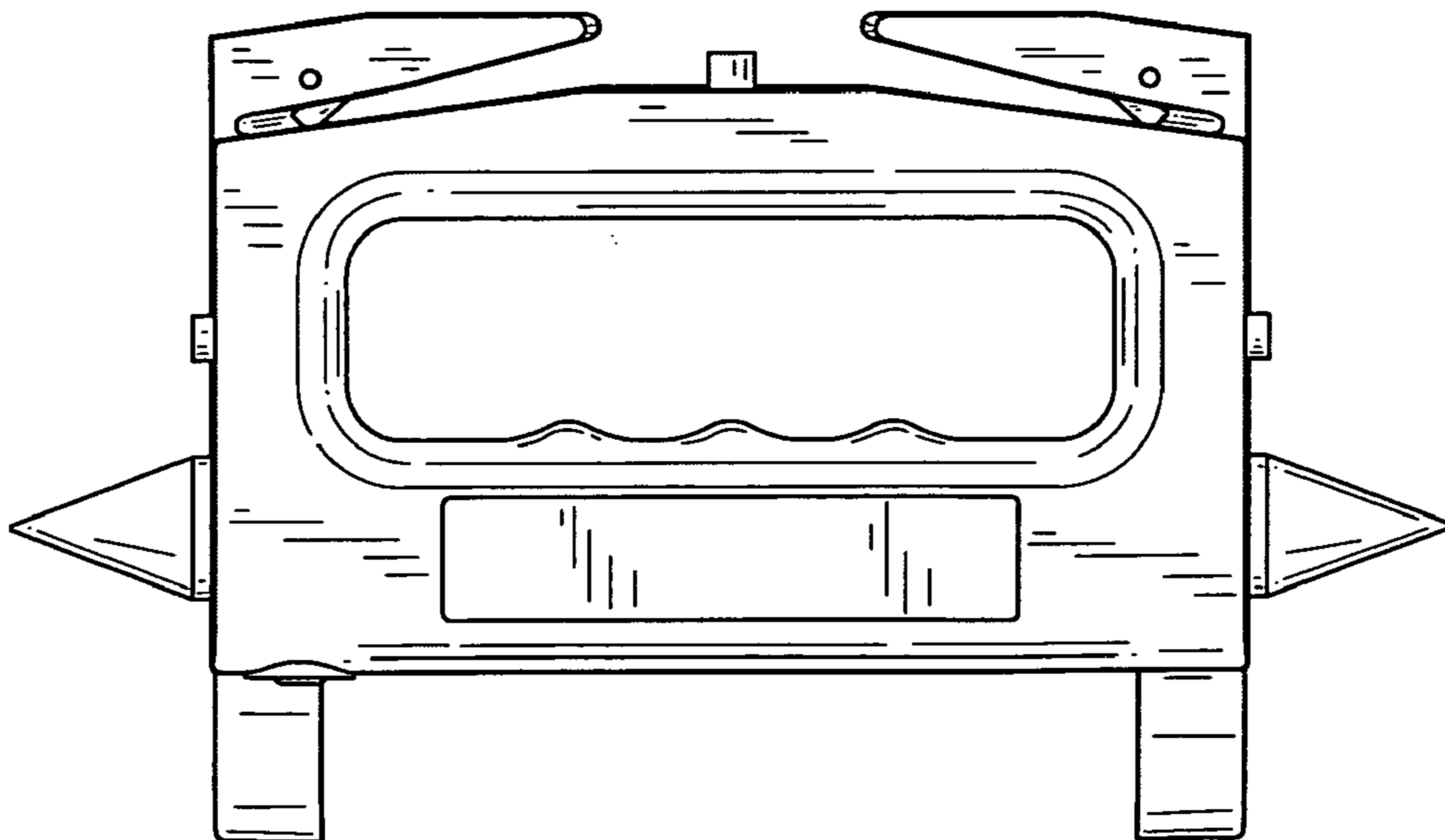


FIG. 3

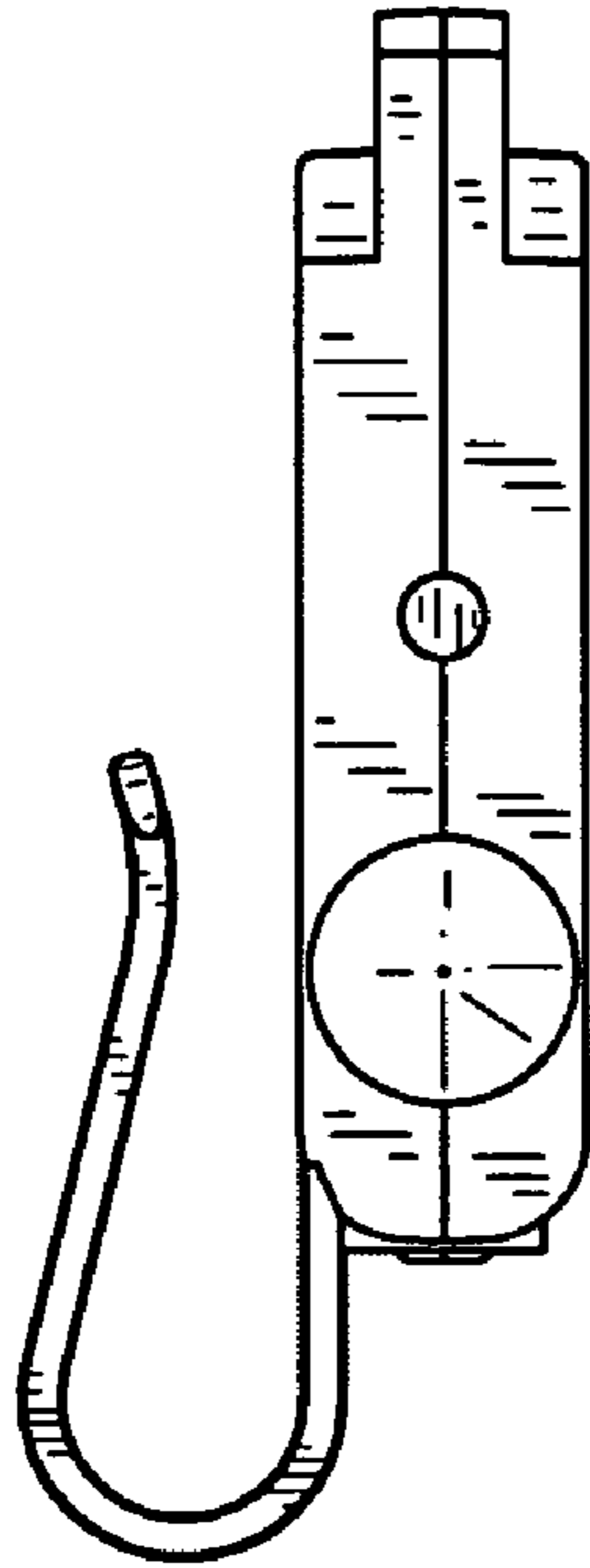


FIG.4

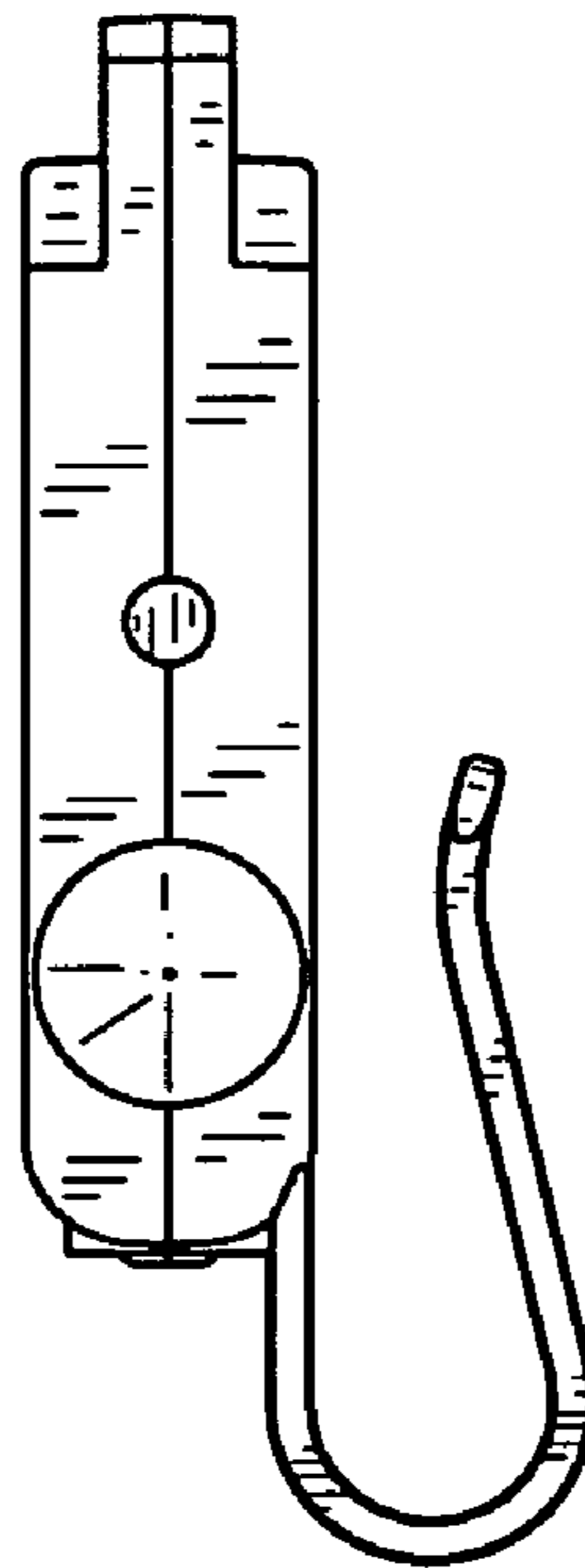


FIG.5

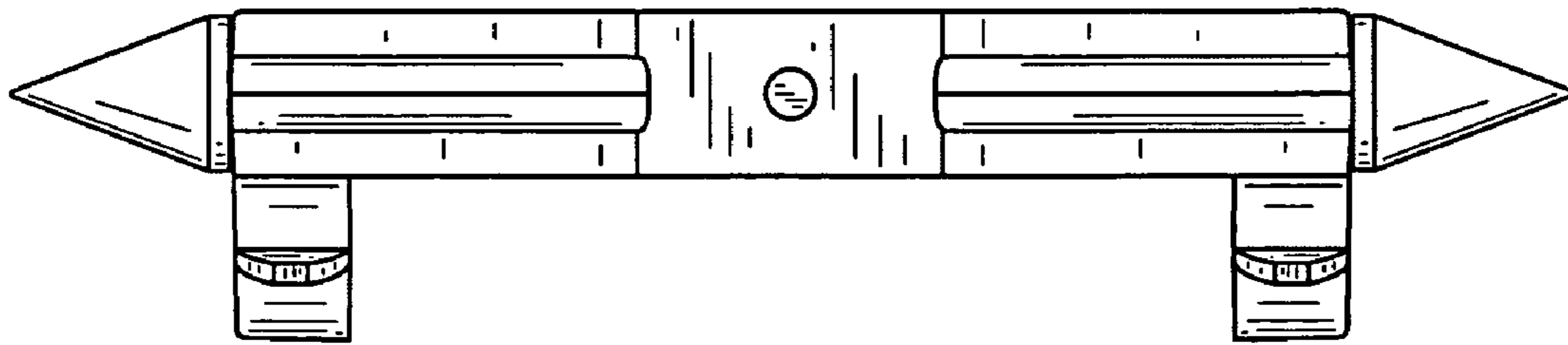


FIG. 6

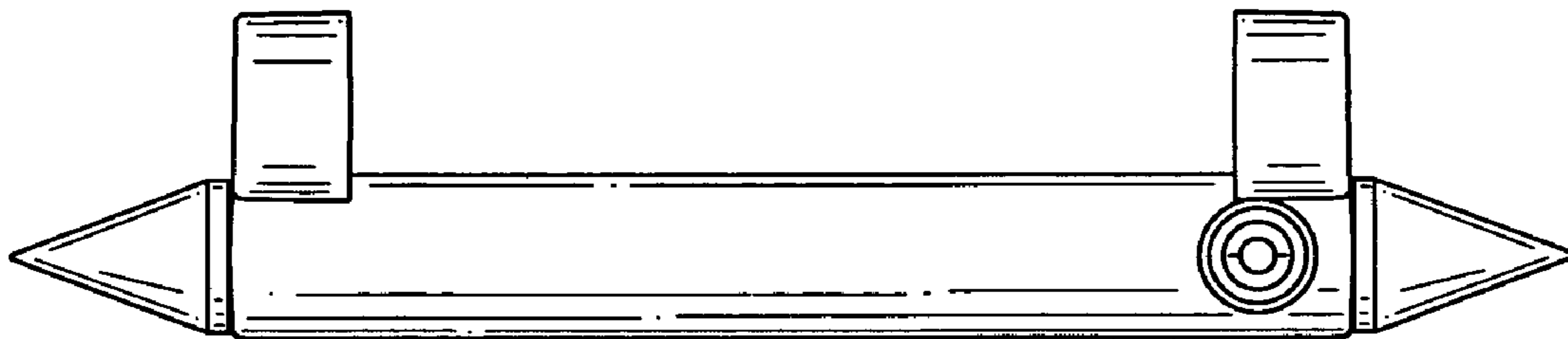


FIG. 7