



US00D595104S

(12) **United States Design Patent**
Goodrich

(10) **Patent No.:** **US D595,104 S**
(45) **Date of Patent:** **** Jun. 30, 2009**

(54) **ACCESSORY HOLDER FOR KNIVES, HAND TOOLS, AND THE LIKE**

(75) Inventor: **Charles F Goodrich**, Vancouver, WA (US)

(73) Assignee: **Leatherman Tool Group, Inc.**, Portland, OR (US)

(**) Term: **14 Years**

(21) Appl. No.: **29/318,875**

(22) Filed: **May 29, 2008**

(51) **LOC (9) Cl.** **08-03**

(52) **U.S. Cl.** **D8/99**

(58) **Field of Classification Search** D8/98,
D8/99, 100, 105, 107; 30/155, 156, 157,
30/158, 159, 160, 161; D22/118; 81/177.1,
81/177.4, 437, 438, 439, 440, 490
See application file for complete search history.

(56) **References Cited**

U.S. PATENT DOCUMENTS

6,364,580	B1 *	4/2002	Dils et al.	408/16
6,435,065	B2 *	8/2002	Kozak et al.	81/490
6,640,675	B1 *	11/2003	Chuang	81/490
7,032,315	B1 *	4/2006	Busse	30/153
7,062,856	B2 *	6/2006	Moser	30/160
7,121,173	B2 *	10/2006	Chen	81/177.4
7,165,329	B2 *	1/2007	Kao	30/161
7,234,241	B2 *	6/2007	Chu	30/160
7,246,441	B1 *	7/2007	Collins	30/160
7,275,321	B2 *	10/2007	Cheng	30/160
D557,100	S *	12/2007	Stokes et al.	D8/105
D571,181	S *	6/2008	Kleckner et al.	D8/105
7,380,340	B1 *	6/2008	Lerch	30/159

OTHER PUBLICATIONS

U.S. Appl. No. 29/275,948, entitled *Retainer and Housing for Accessory for Folding Multipurpose Hand Tool*, filed Jan. 10, 2007, In re: Nenadic.

Leatherman e306x/e307x, available at <http://www.leatherman.com/products/knives/e306x-e307x/default.asp>, (May 29, 2008), 1 page.

Leatherman h502/h503, available at <http://www.leatherman.com/products/knives/h502-h503/default.asp>, (May 29, 2008), 1 page.

Leatherman k502x/k503x, available at <http://www.leatherman.com/products/knives/k502x-k503x/default.asp>, (May 29, 2008), 1 page.

* cited by examiner

Primary Examiner—Philip S Hyder

(74) *Attorney, Agent, or Firm*—Alston & Bird LLP

(57) **CLAIM**

The ornamental design for an accessory holder for knives, hand tools, and the like, as shown and described.

DESCRIPTION

FIG. 1 is a perspective view of an accessory holder for knives, hand tools, and the like according to my new design;

FIG. 2 is a front elevation view thereof;

FIG. 3 is a top plan view thereof;

FIG. 4 is another perspective view thereof taken along cross-section 4—4 of FIG. 2, the left side elevation, right side elevation, bottom plan, and rear elevation views are not shown and are not claimed;

FIG. 5 is a perspective view of another accessory holder for knives, hand tools, and the like according to my new design;

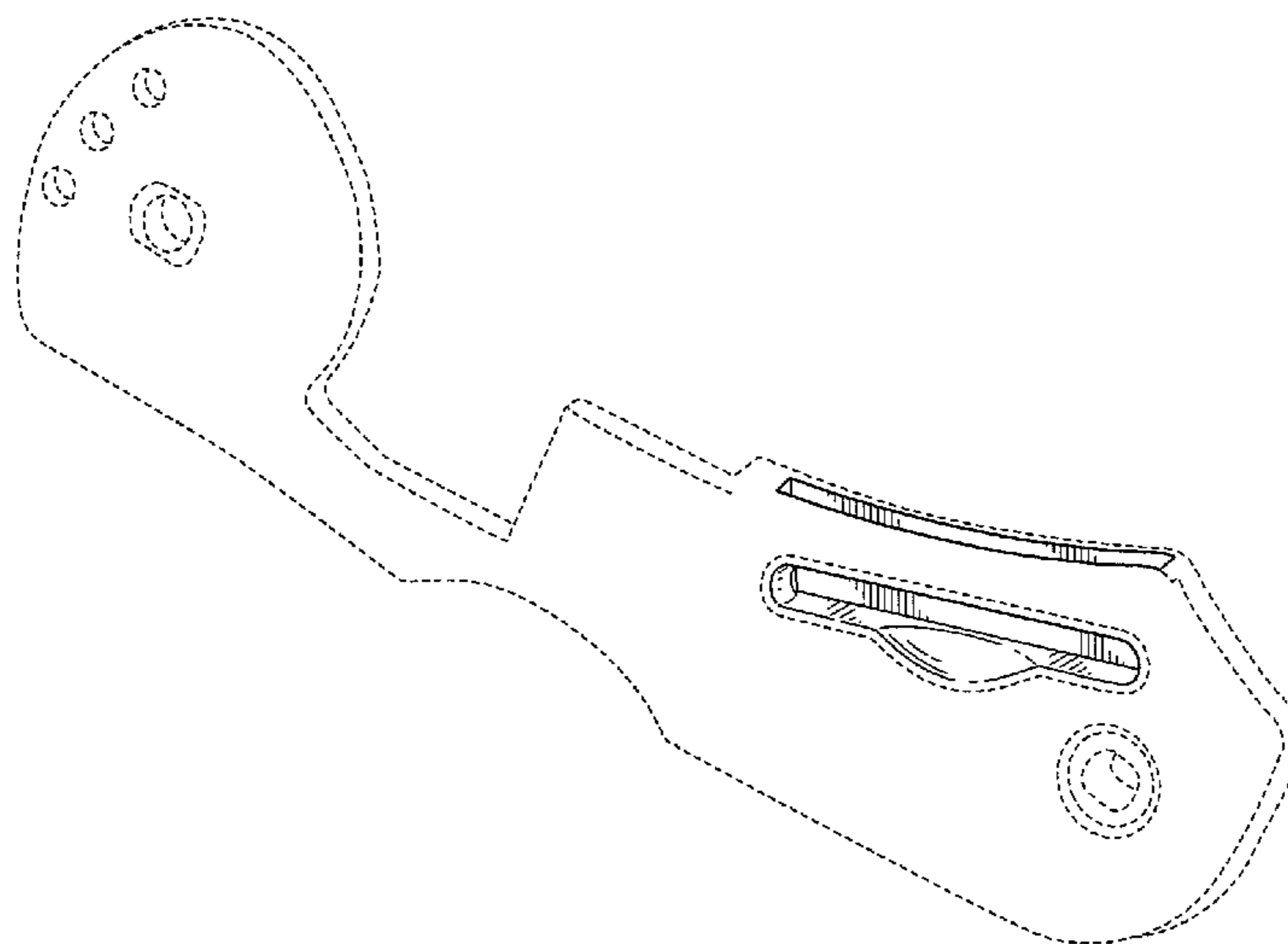
FIG. 6 is a front elevation view thereof;

FIG. 7 is a top plan view thereof; and,

FIG. 8 is another perspective view thereof taken along cross-section 8—8 of FIG. 6, the left side elevation, right side elevation, bottom plan, and rear elevation views are not shown and are not claimed.

The broken lines shown herein depict unclaimed environmental structure.

1 Claim, 8 Drawing Sheets



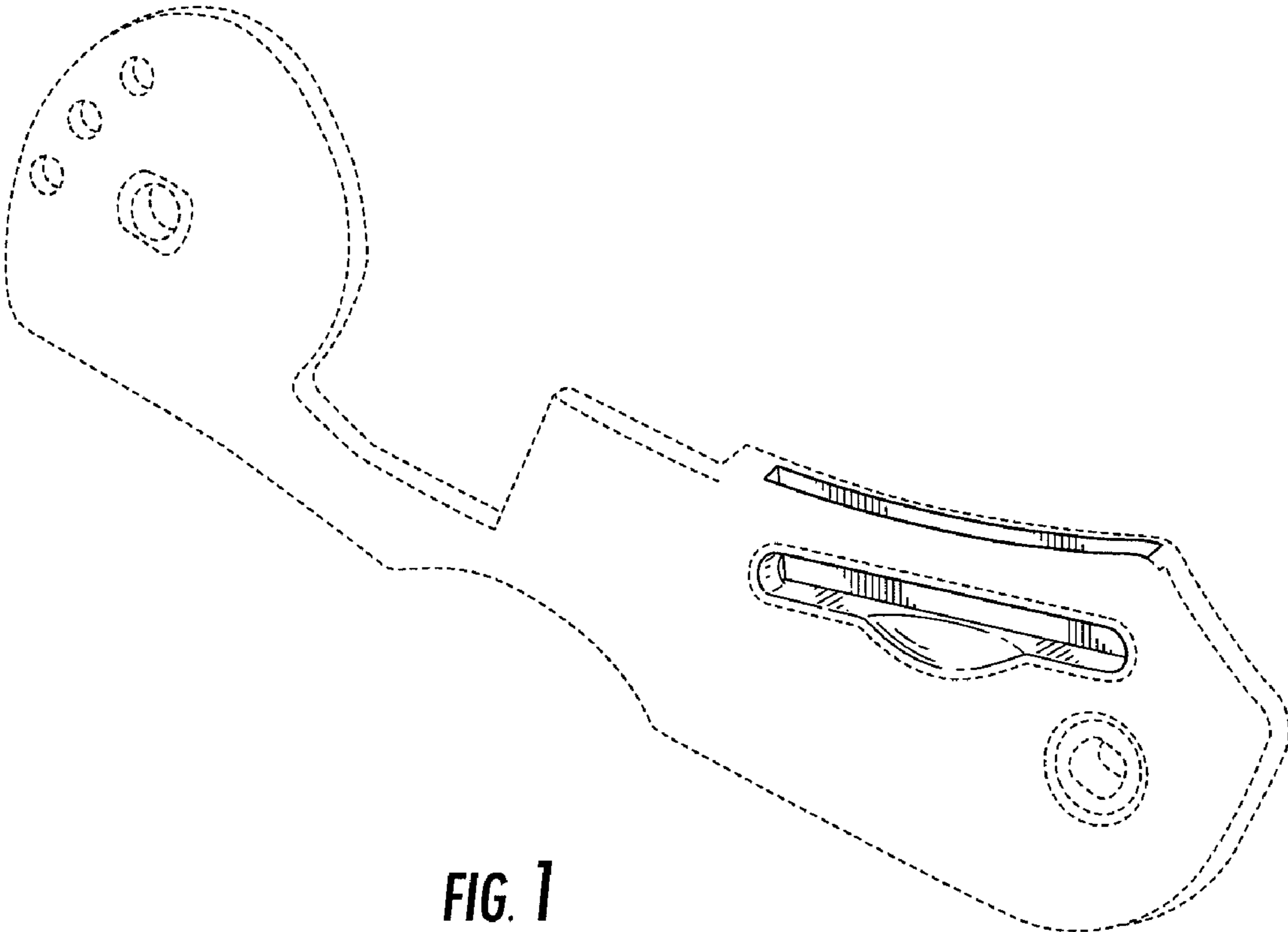


FIG. 1

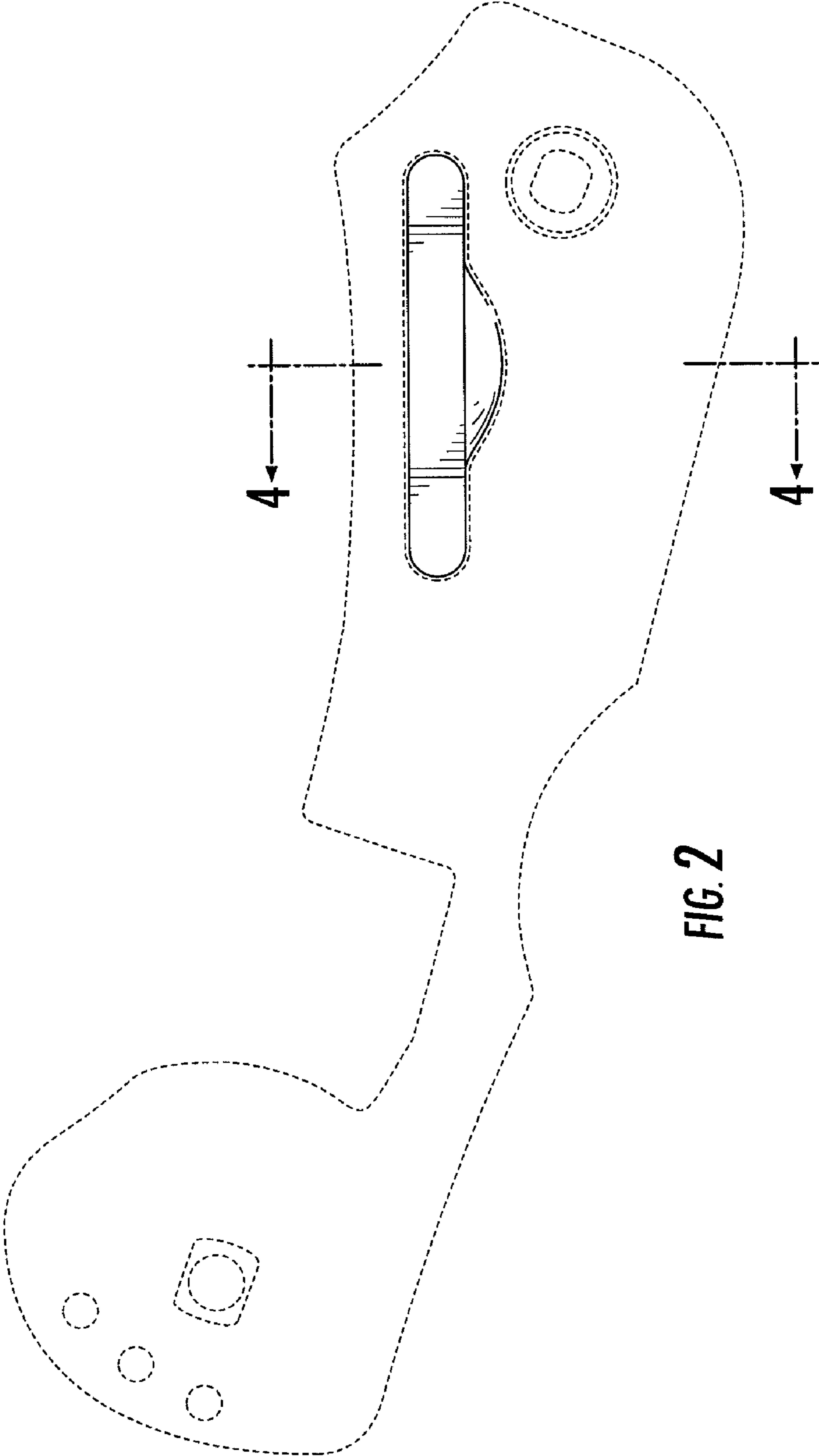


FIG. 2

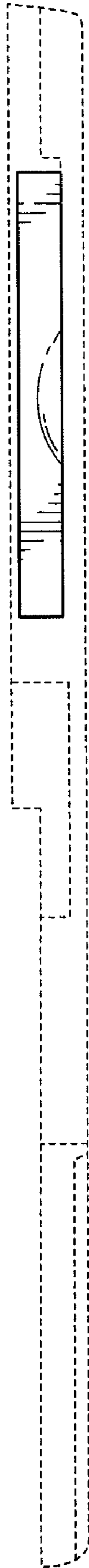


FIG. 3

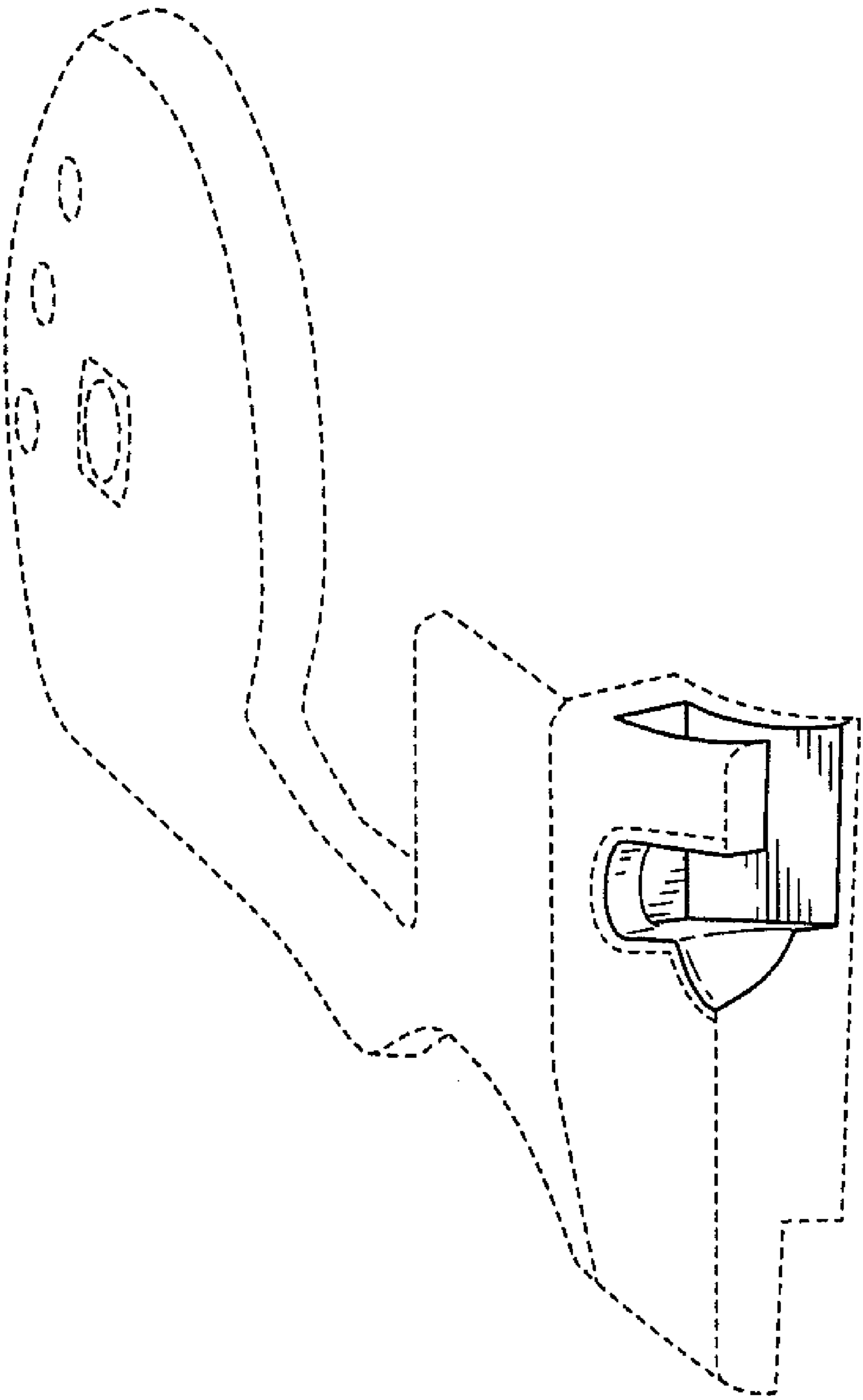


FIG. 4

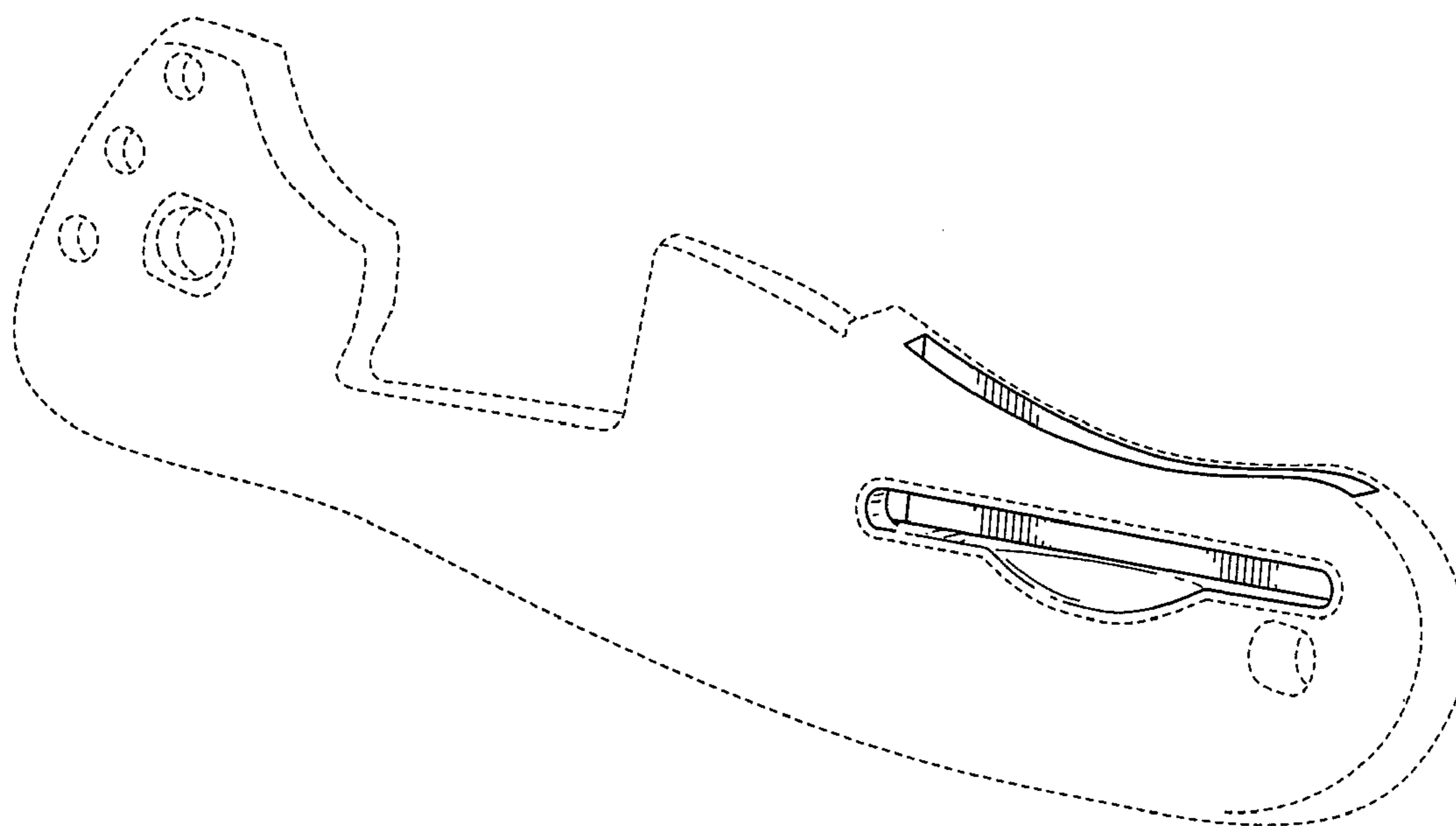


FIG. 5

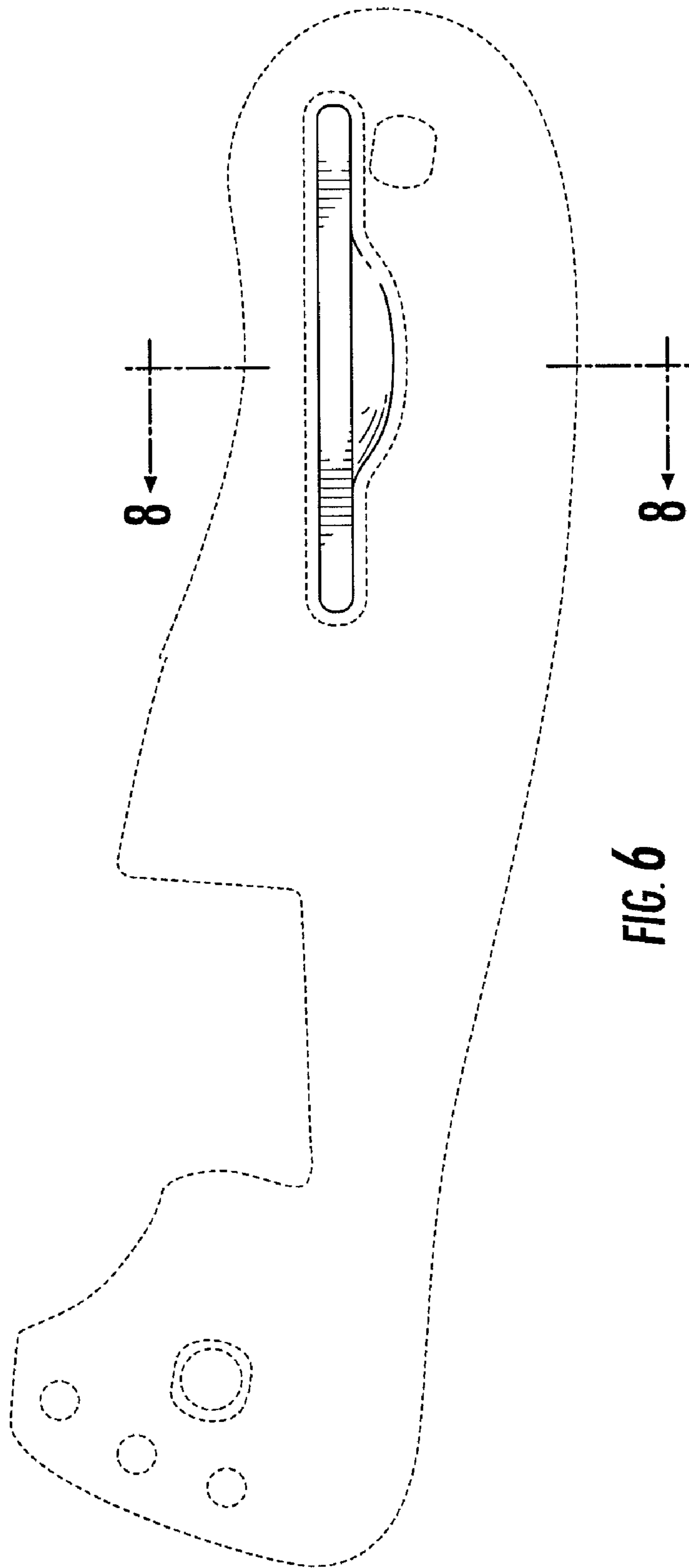


FIG. 6

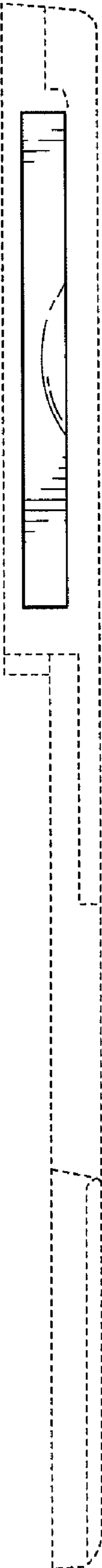


FIG. 7

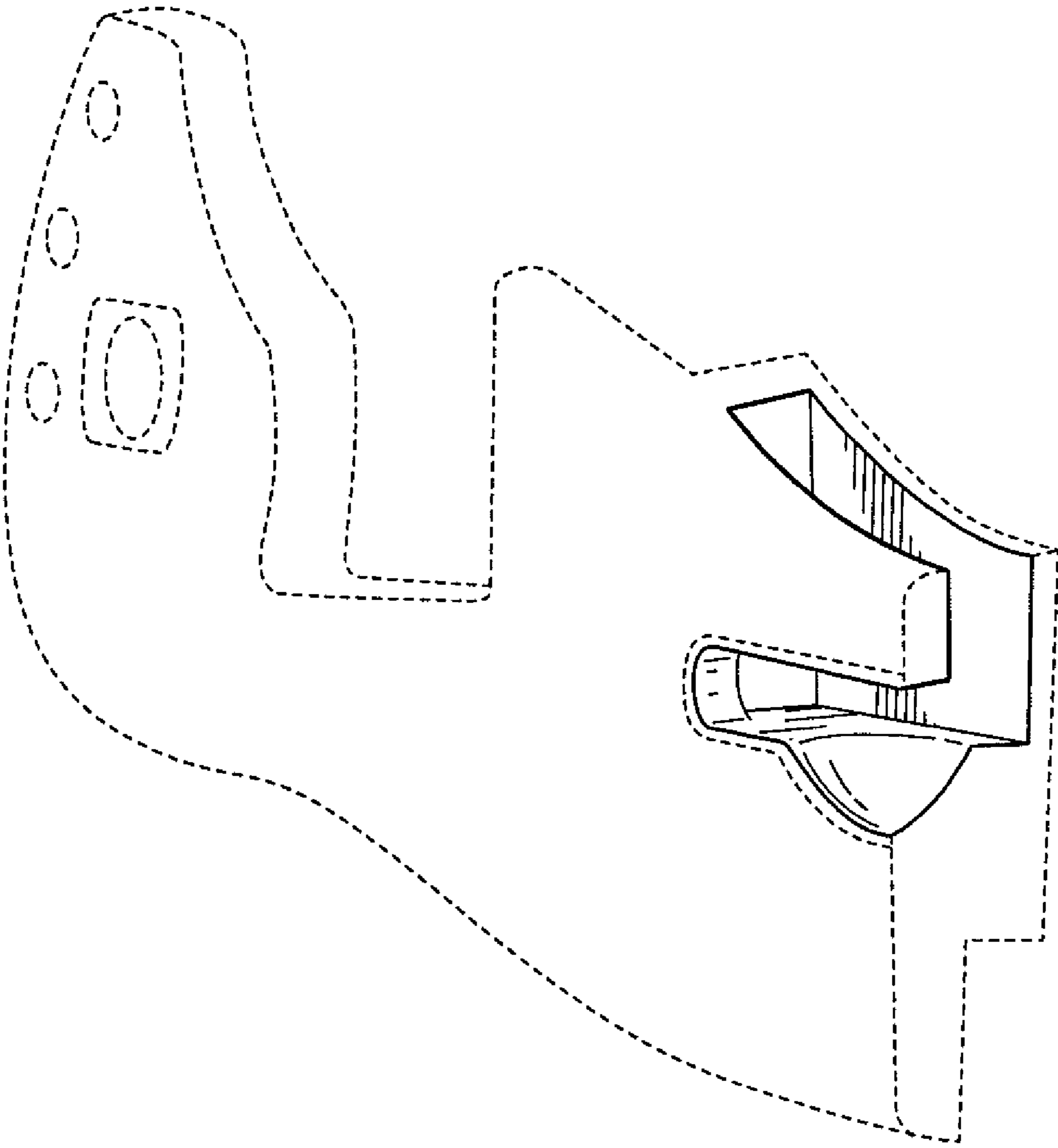


FIG. 8