



US00D595103S

(12) **United States Design Patent**
Goodrich

(10) **Patent No.:** **US D595,103 S**
(45) **Date of Patent:** **** Jun. 30, 2009**

(54) **SCALES FOR KNIVES, HAND TOOLS, AND THE LIKE**

(75) Inventor: **Charles F. Goodrich**, Vancouver, WA (US)

(73) Assignee: **Leatherman Tool Group, Inc.**, Portland, OR (US)

(**) Term: **14 Years**

(21) Appl. No.: **29/318,864**

(22) Filed: **May 29, 2008**

(51) **LOC (9) Cl.** **08-03**

(52) **U.S. Cl.** **D8/99**

(58) **Field of Classification Search** D8/98,
D8/99, 100, 105, 107; 30/155, 156, 157,
30/158, 159, 160, 161; D22/118
See application file for complete search history.

(56) **References Cited**

U.S. PATENT DOCUMENTS

| | | | | | |
|------------|---|---------|-----------------|-------|--------|
| D384,871 S | * | 10/1997 | McWillis | | D8/99 |
| D408,705 S | * | 4/1999 | Elishewitz | | D8/99 |
| D408,706 S | * | 4/1999 | Elishewitz | | D8/99 |
| D412,275 S | * | 7/1999 | Collins | | D8/99 |
| D422,478 S | * | 4/2000 | Elishewitz | | D8/99 |
| D428,789 S | * | 8/2000 | McHenry et al. | | D8/99 |
| D431,991 S | * | 10/2000 | Elishewitz | | D8/99 |
| D433,913 S | * | 11/2000 | Pardue | | D8/99 |
| D447,925 S | * | 9/2001 | Osborne | | D8/107 |
| D464,246 S | * | 10/2002 | Sloan | | D8/99 |
| D510,249 S | * | 10/2005 | Ray | | D8/99 |
| D530,180 S | * | 10/2006 | Kleckner et al. | | D8/99 |

OTHER PUBLICATIONS

Leatherman e300/e301, available at <http://www.leatherman.com/products/knives/e300-e301/default.asp>, (May 29, 2008), 1 page.

(Continued)

Primary Examiner—Philip S Hyder

(74) *Attorney, Agent, or Firm*—Alston & Bird LLP

(57) **CLAIM**

The ornamental design for scales for knives, hand tools, and the like, as shown and described.

DESCRIPTION

FIG. 1 is a perspective view of a pair of scales for knives, hand tools, and the like according to my new design wherein the interior surfaces of the scales are not claimed;

FIG. 2 is a left side elevation view thereof;

FIG. 3 is a right side elevation view thereof;

FIG. 4 is a top plan view thereof;

FIG. 5 is a bottom plan view thereof;

FIG. 6 is a front elevation view thereof;

FIG. 7 is a rear elevation view thereof;

FIG. 8 is a perspective view of another pair of scales for knives, hand tools, and the like according to my new design wherein the interior surfaces of the scales are not claimed;

FIG. 9 is a left side elevation view thereof;

FIG. 10 is a right side elevation view thereof;

FIG. 11 is a top plan view thereof;

FIG. 12 is a bottom plan view thereof;

FIG. 13 is a front elevation view thereof;

FIG. 14 is a rear elevation view thereof;

FIG. 15 is a perspective view of another pair of scales for knives, hand tools, and the like according to my new design wherein the interior surfaces of the scales are not claimed;

FIG. 16 is a left side elevation view thereof;

FIG. 17 is a right side elevation view thereof;

FIG. 18 is a top plan view thereof;

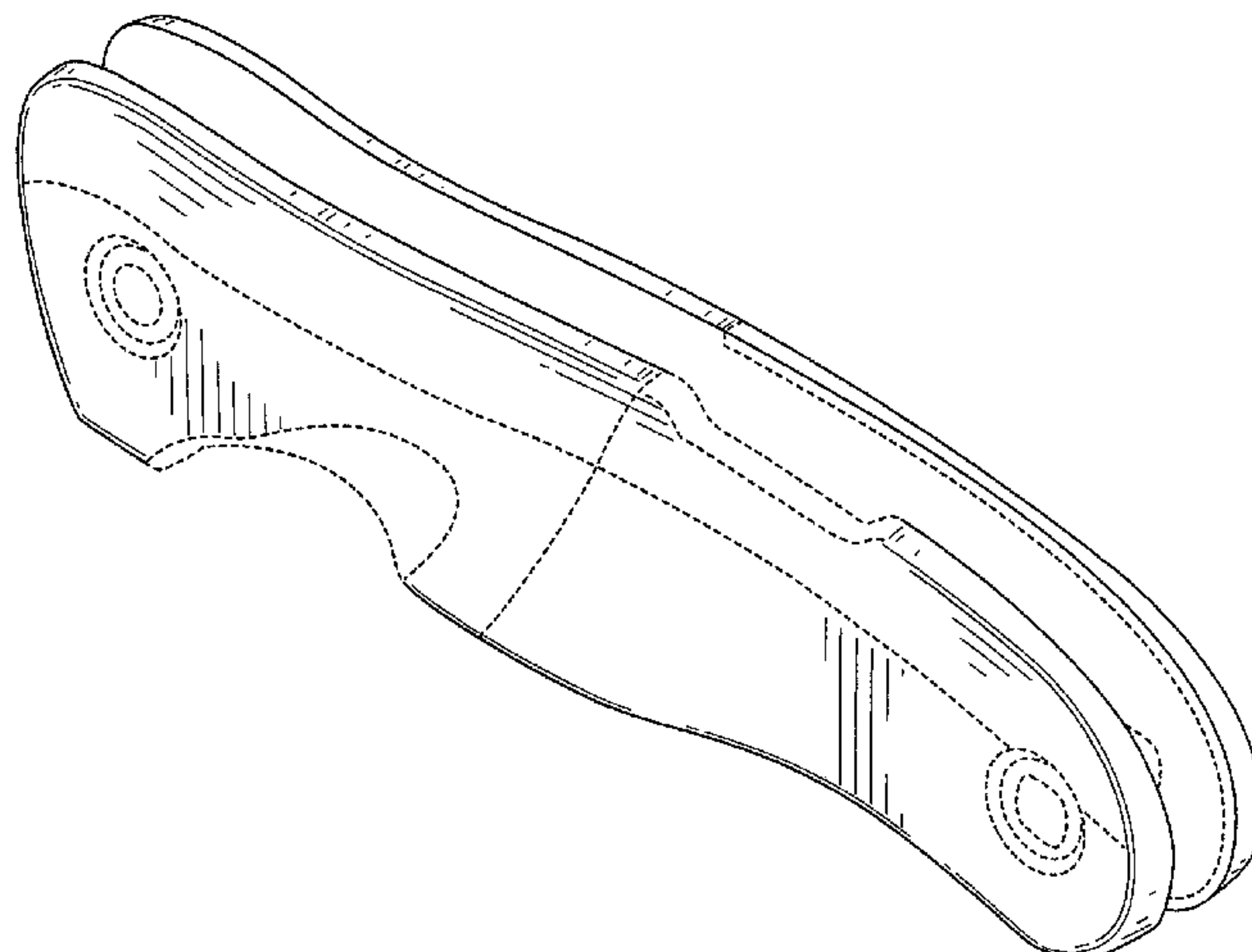
FIG. 19 is a bottom plan view thereof;

FIG. 20 is a front elevation view thereof; and,

FIG. 21 is a rear elevation view thereof.

The broken lines shown herein depict either unclaimed features of the design or the boundaries of the claimed subject matter.

1 Claim, 15 Drawing Sheets



OTHER PUBLICATIONS

Leatherman e302/e303, available at <http://www.leatherman.com/products/knives/e302-e303/default.asp>, (May 29, 2008), 1 page.

Leatherman e304x/e305x, available at <http://www.leatherman.com/products/knives/e304x-e305x/default.asp>, (May 29, 2008), 1 page.

Leatherman e306x/e307x, available at <http://www.leatherman.com/products/knives/e306x-e307x/default.asp>, (May 29, 2008), 1 page.

Leatherman c300/c301, available at <http://www.leatherman.com/products/knives/c300-c301/default.asp>, (May 29, 2008), 1 page.

Leatherman c302/c303, available at <http://www.leatherman.com/products/knives/c302-c303/default.asp>, (May 29, 2008), 1 page.

Leatherman c304/c305, available at <http://www.leatherman.com/products/knives/c304-c305/default.asp>, (May 29, 2008), 1 page.

Leatherman h500/h501, available at <http://www.leatherman.com/products/knives/h500-h501/default.asp>, (May 29, 2008), 1 page.

Leatherman h502/h503, available at <http://www.leatherman.com/products/knives/h502-h503/default.asp>, (May 29, 2008), 1 page.

Leatherman k500x/k501x, available at <http://www.leatherman.com/products/knives/k500x-k501x/default.asp>, (May 29, 2008), 1 page.

Leatherman k502x/k503x, available at <http://www.leatherman.com/products/knives/k502x-k503x/default.asp>, (May 29, 2008), 1 page.

Leatherman Selway, available at <http://www.leatherman.com/products/knives/selway/default.asp>, (May 29, 2008), 1 page.

Leatherman Ukiah, available at <http://www.leatherman.com/products/knives/ukiah/default.asp>, (May 29, 2008), 1 page.

Leatherman Nehalem, available at <http://www.leatherman.com/products/knives/nehalem/default.asp>, (May 29, 2008), 1 page.

Leatherman Steens, available at <http://www.leatherman.com/products/knives/steens/default.asp>, (May 29, 2008), 1 page.

Leatherman Klamath, available at <http://www.leatherman.com/products/knives/klamath/default.asp>, (May 29, 2008), 1 page.

<http://www.knivesplus.com/media/GB-1022.jpg>, (May 21, 2008), 1 page.

GerberGear>Product Details>Obsidian™ (Fine Edge), available at <http://www.gerbergear.com/product.php?model=1021>, (May 29, 2008), 1 page.

GerberGear>Product Details>Mini FAST Draw™ (Spring Assisted, Serrated Edge), available at <http://www.gerbergear.com/product.php?model=1525>, (May 29, 2008), 1 page.

GerberGear>Product Details>SB 2.5 (Fine Edge), available at <http://www.gerbergear.com/product.php?model=1535>, (May 29, 2008), 1 page.

GerberGear>Product Details>Vallotton (Fine Edge), available at <http://www.gerbergear.com/product.php?model=1528>, (May 29, 2008), 1 page.

GerberGear>Product Details>EVO™ (Fine Edge), available at <http://www.gerbergear.com/product.php?model=1433>, (May 29, 2008), 1 page.

GerberGear>Product Details>FAST Draw™ (Spring Assisted, Fine Edge), available at <http://www.gerbergear.com/product.php?model=7162>, (May 29, 2008), 1 page.

GerberGear>Product Details>Firestorm™ (Fine Edge), available at <http://www.gerbergear.com/product.php?model=7179>, (May 29, 2008), 1 page.

GerberGear>Product Details>Gerber-Emerson Alliance™ (Fine Edge), available at <http://www.gerbergear.com/product.php?model=7157>, (May 29, 2008), 1 page.

GerberGear>Product Details>Gator® (Fine Edge, Clip Point), available at <http://www.gerbergear.com/product.php?model=6069>, (May 29, 2008), 1 page.

GerberGear>Product Details>AR 3.0 (Fine Edge), available at <http://www.gerbergear.com/product.php?model=5842>, (May 29, 2008), 1 page.

GerberGear>Product Details>Game Pro™ (Fine Edge, Drop Point), available at <http://www.gerbergear.com/product.php?model=8460>, (May 29, 2008), 1 page.

GerberGear>Product Details>Paraframe™ I (Fine Edge), available at <http://www.gerbergear.com/product.php?model=8444>, (May 29, 2008), 1 page.

* cited by examiner

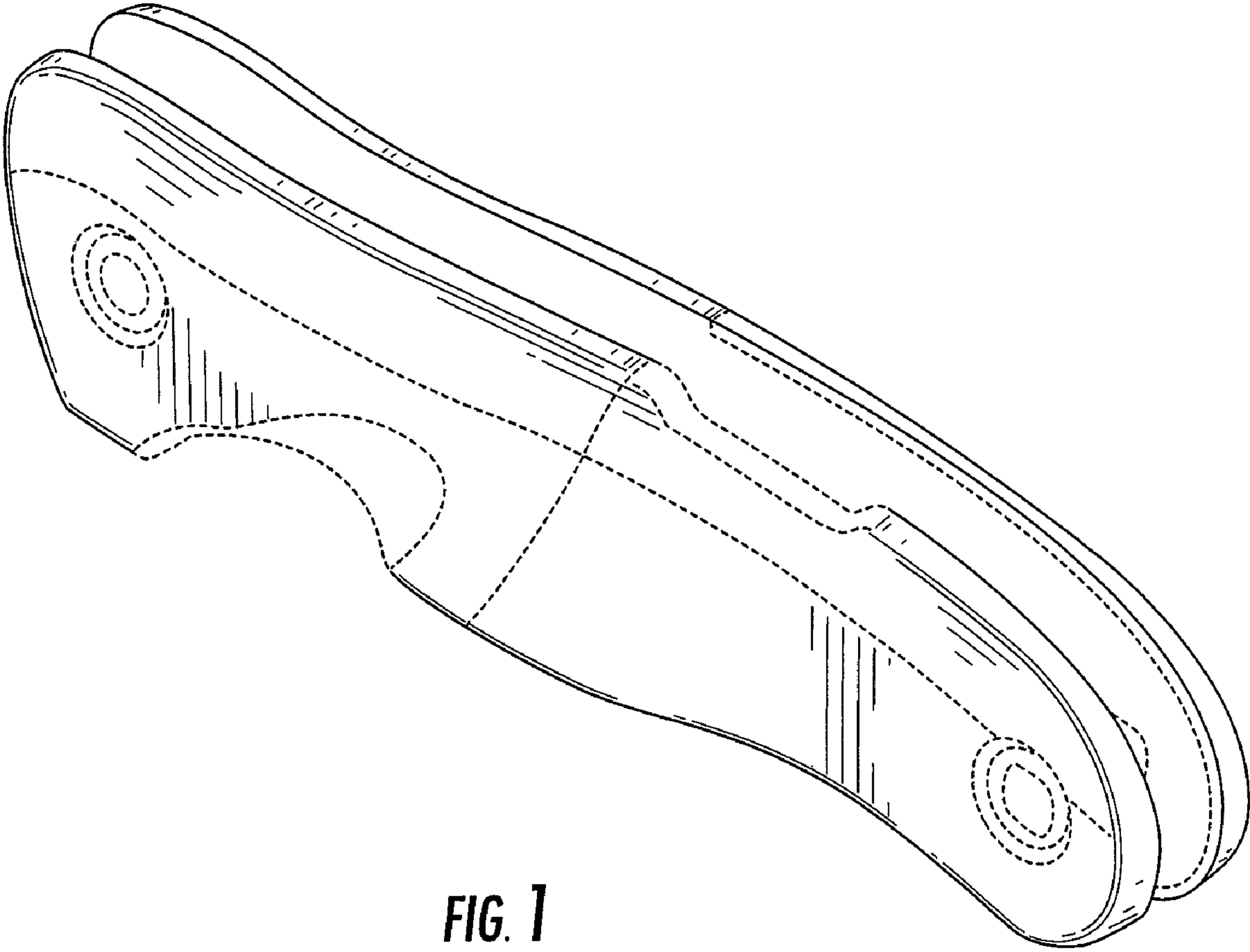


FIG. 1

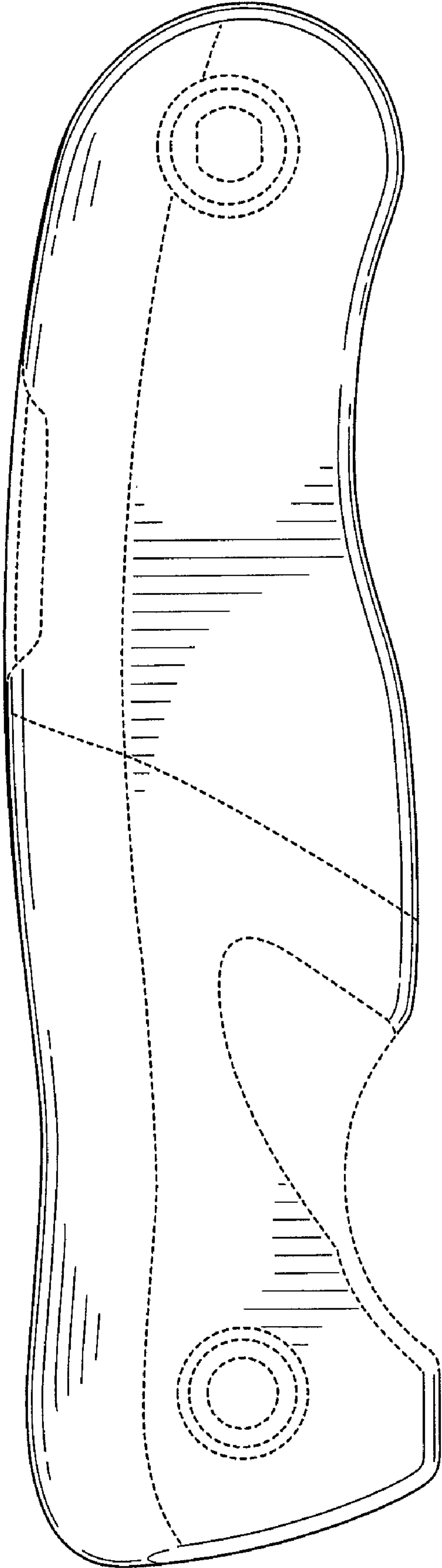


FIG. 2

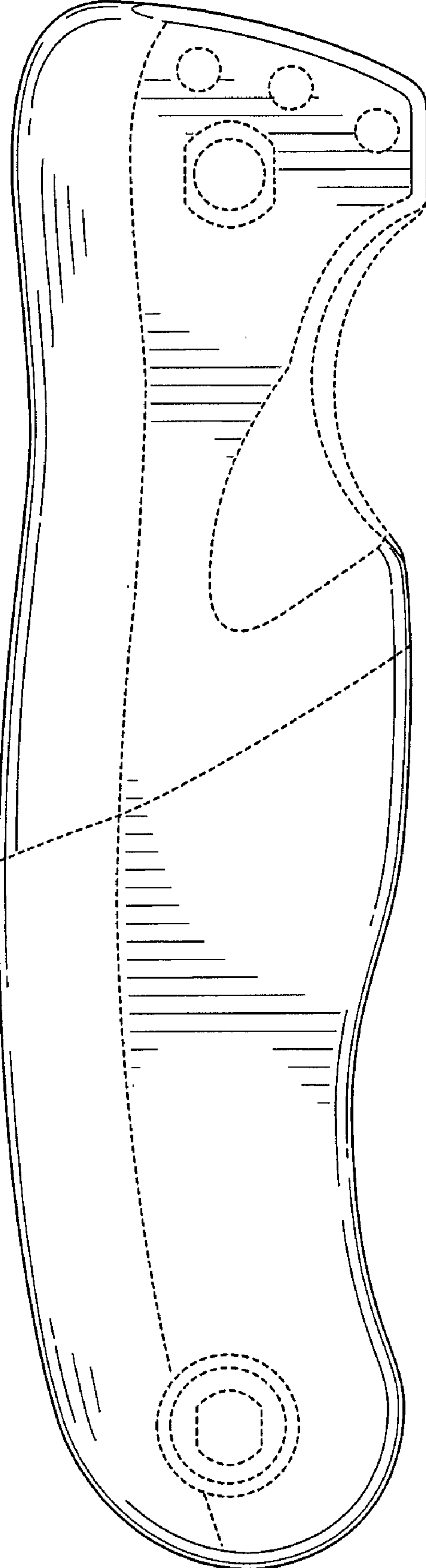


FIG. 3

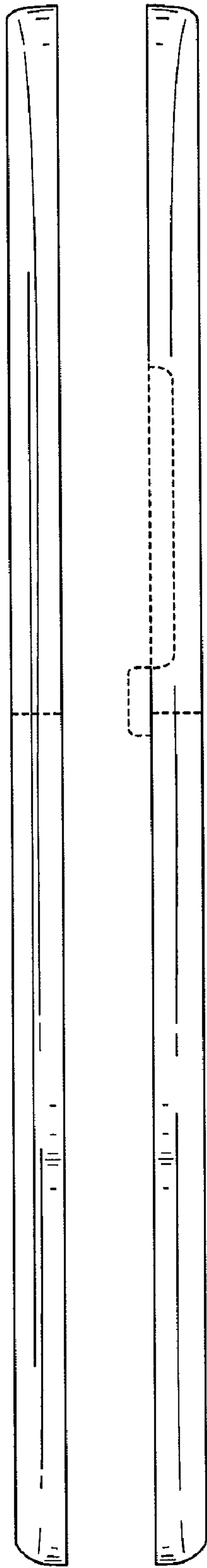


FIG. 4

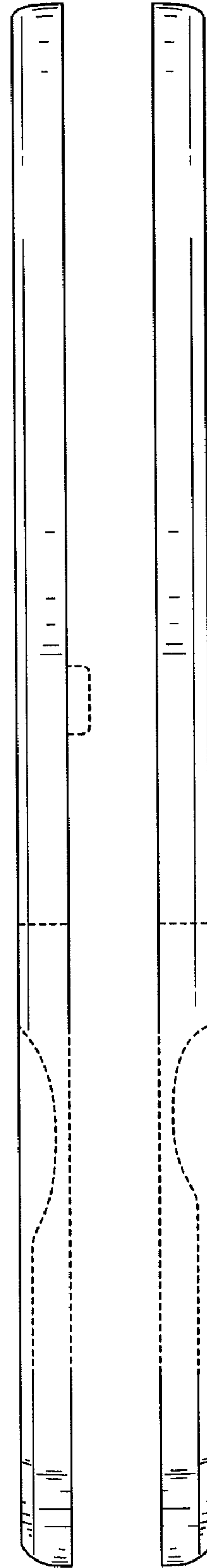


FIG. 5

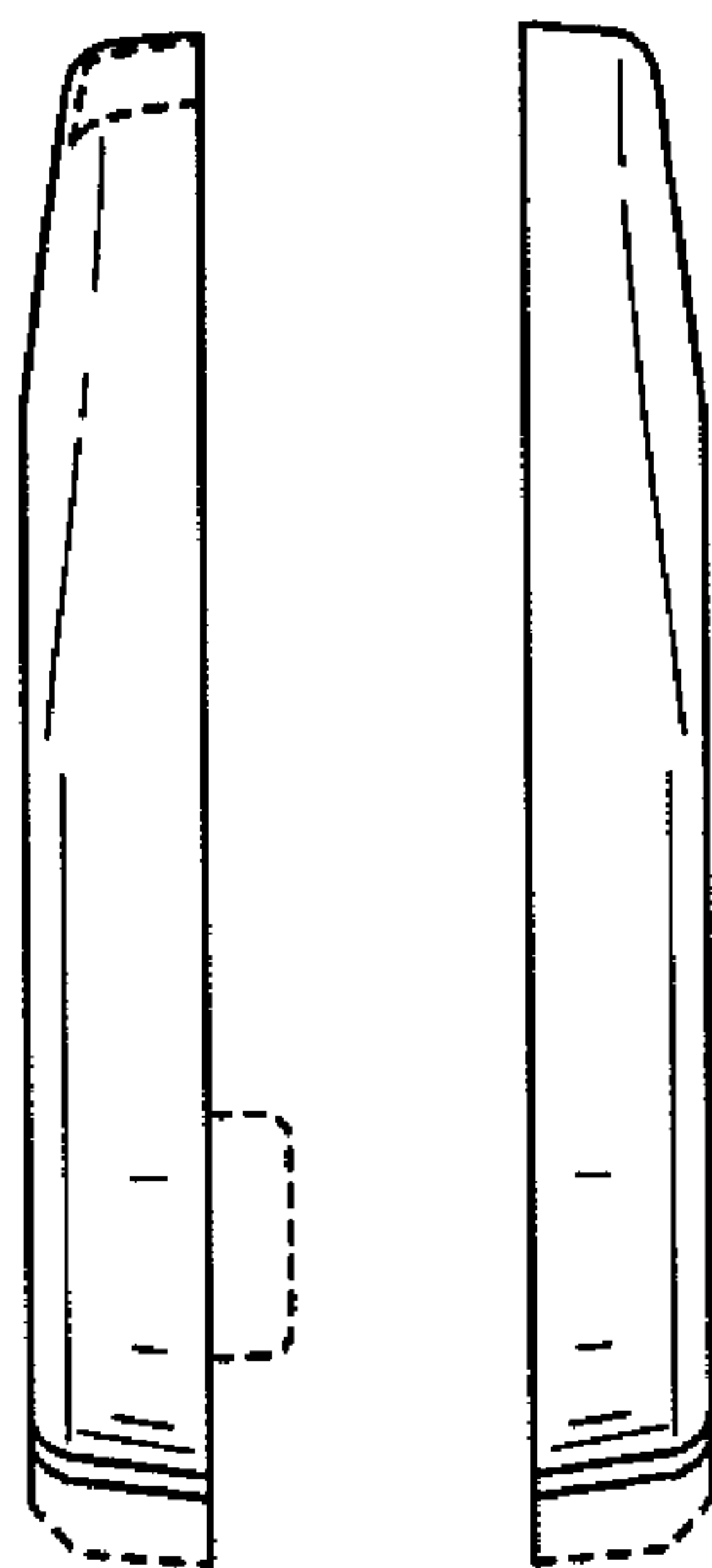


FIG. 6

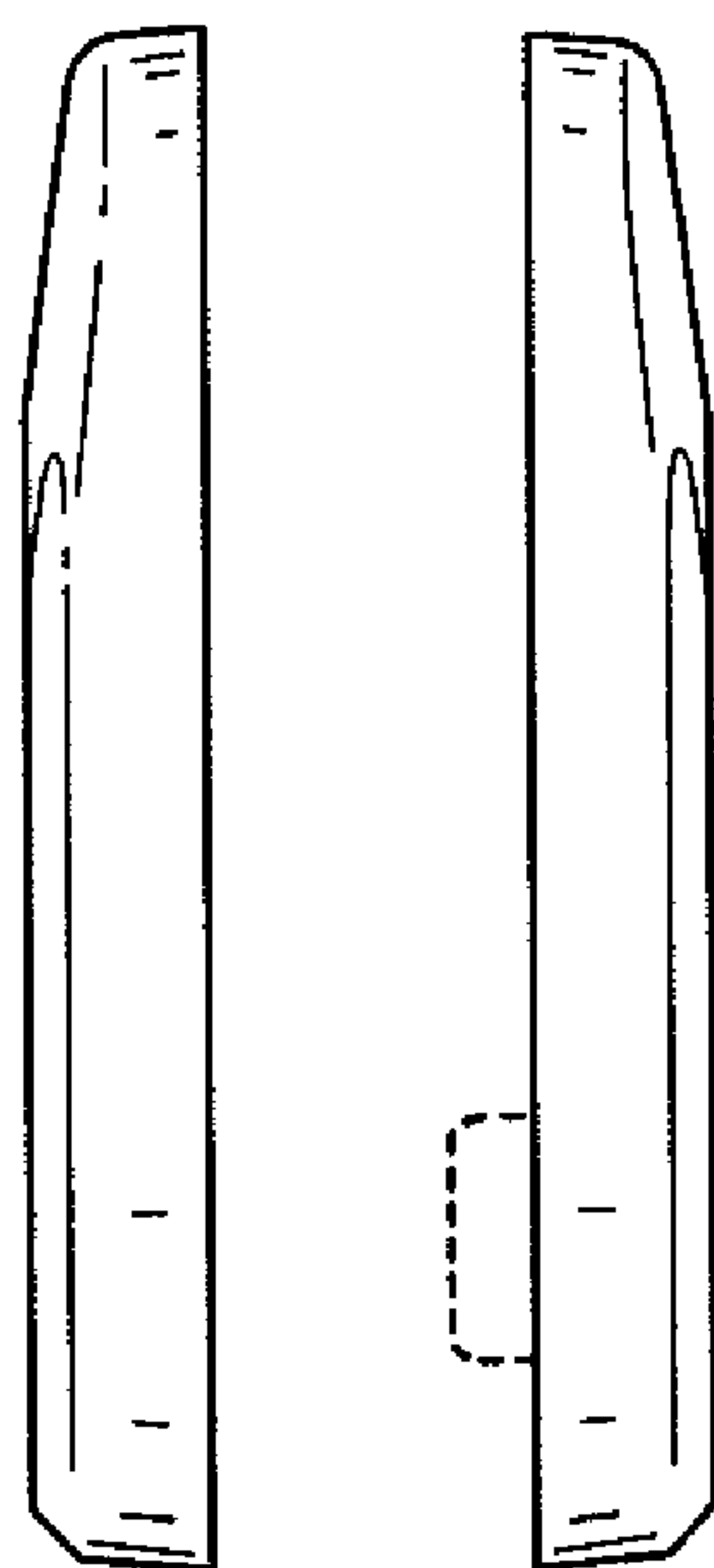


FIG. 7

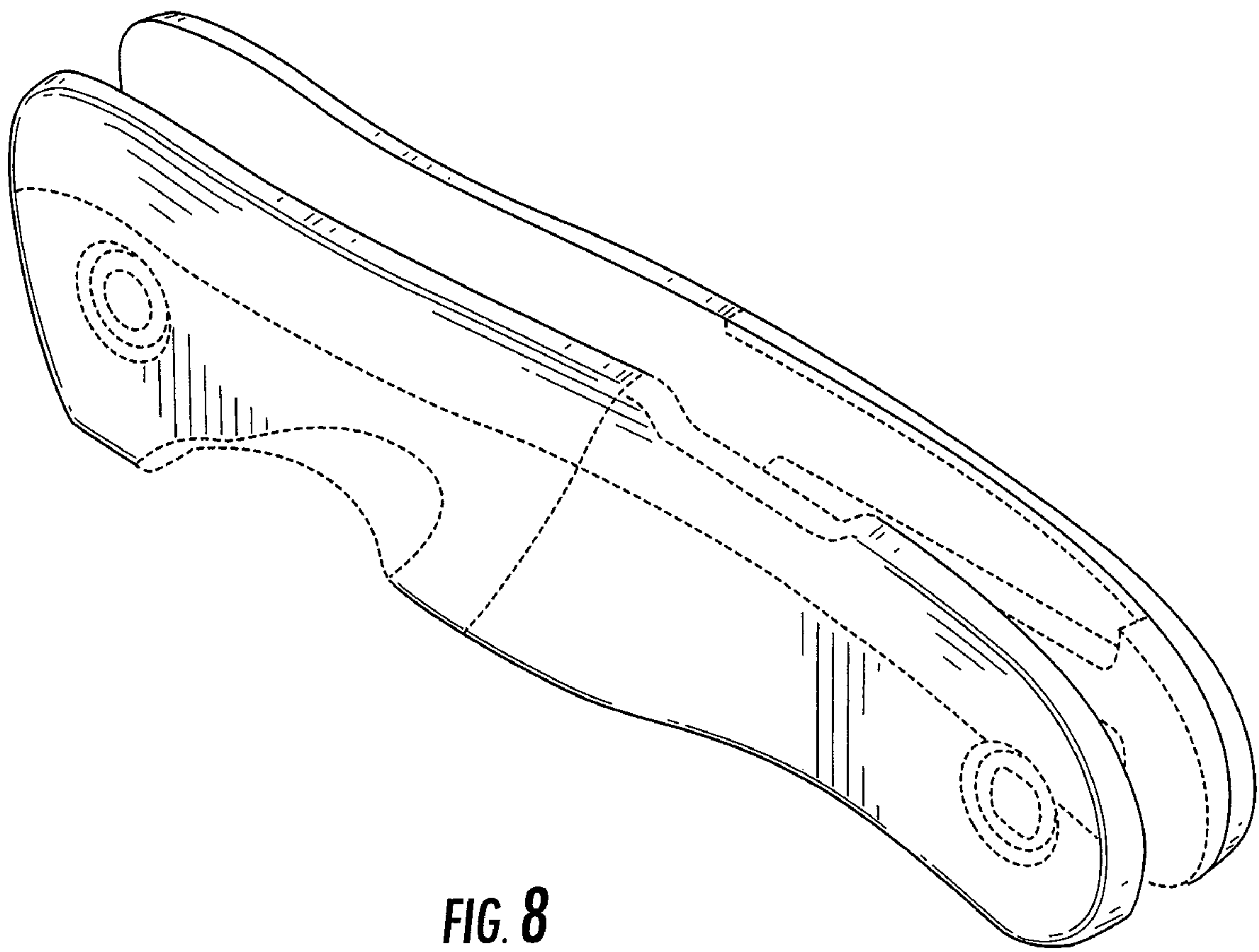


FIG. 8

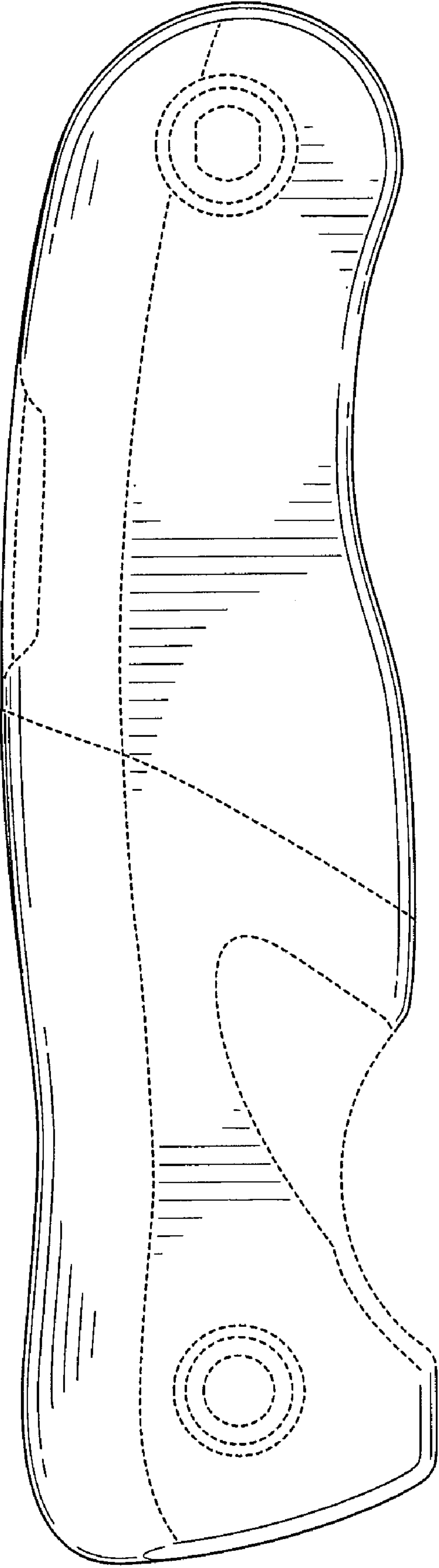


FIG. 9

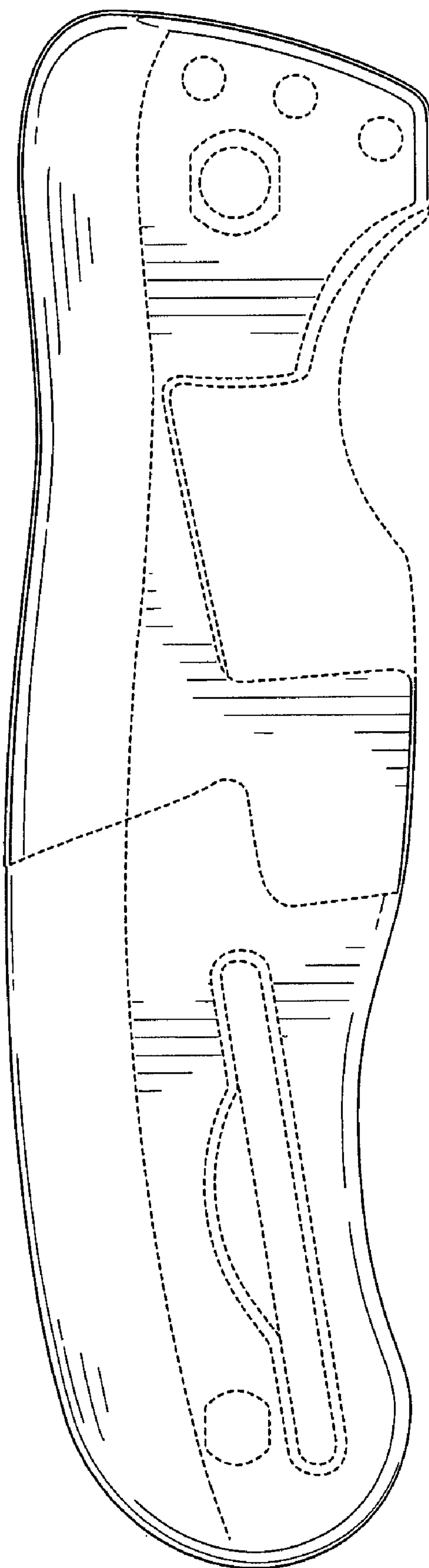


FIG. 10

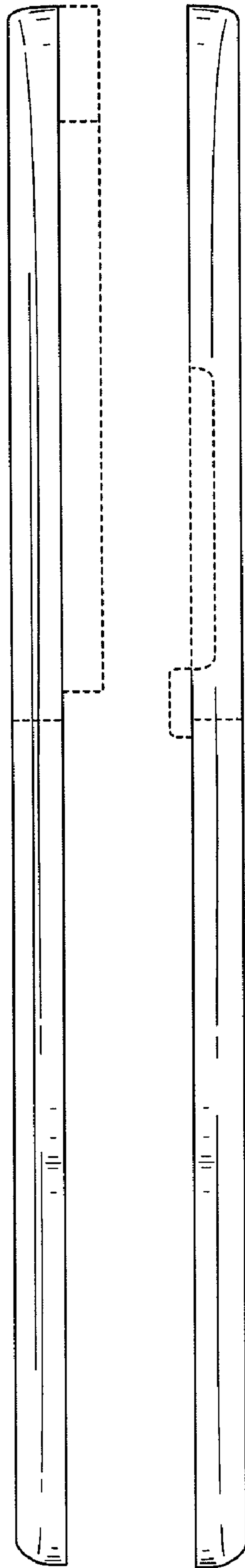


FIG. 11

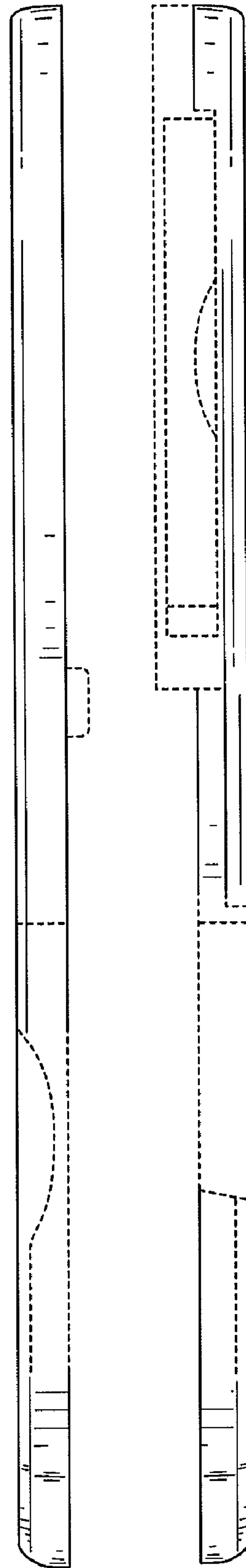


FIG. 12

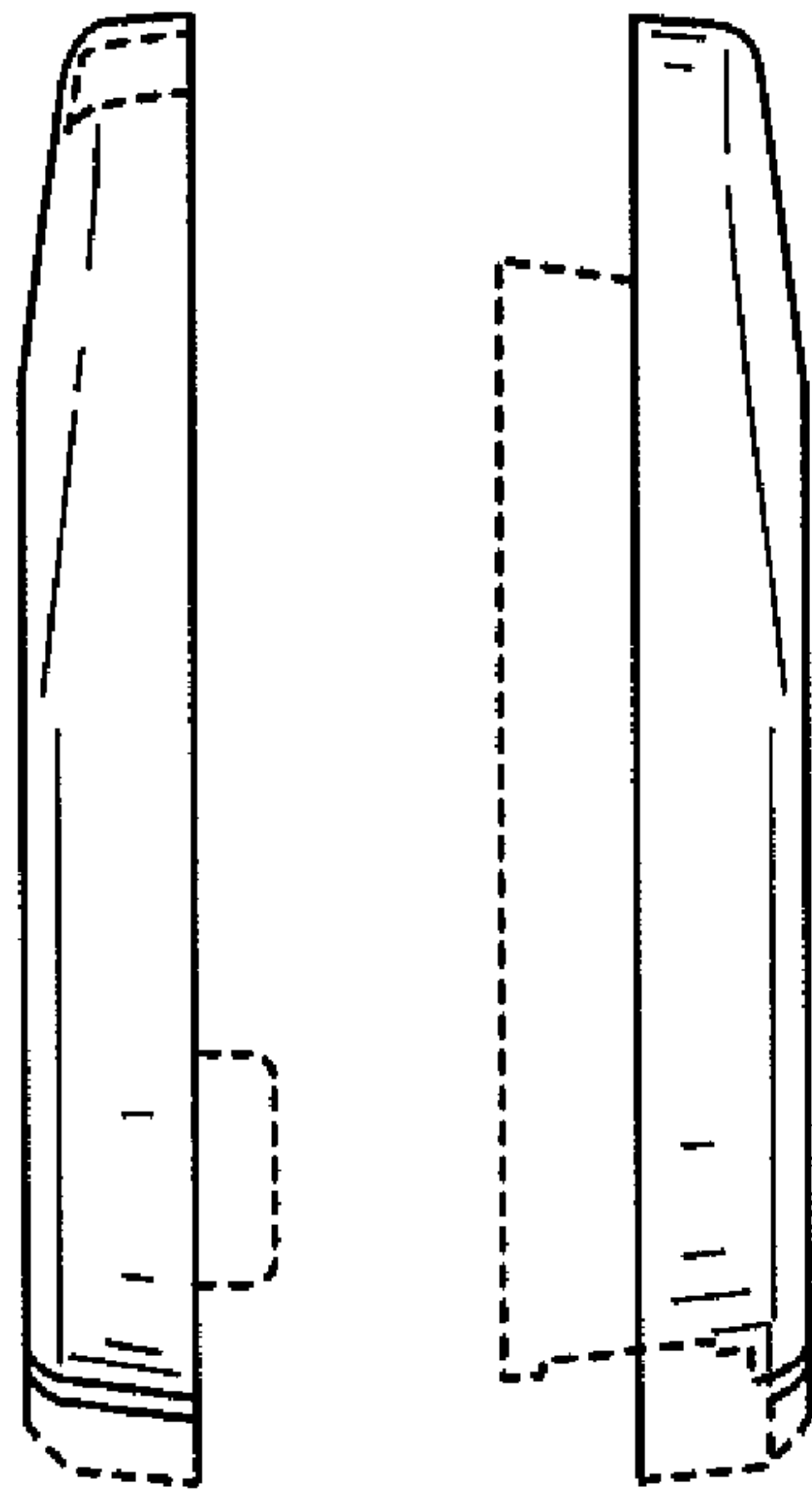


FIG. 13

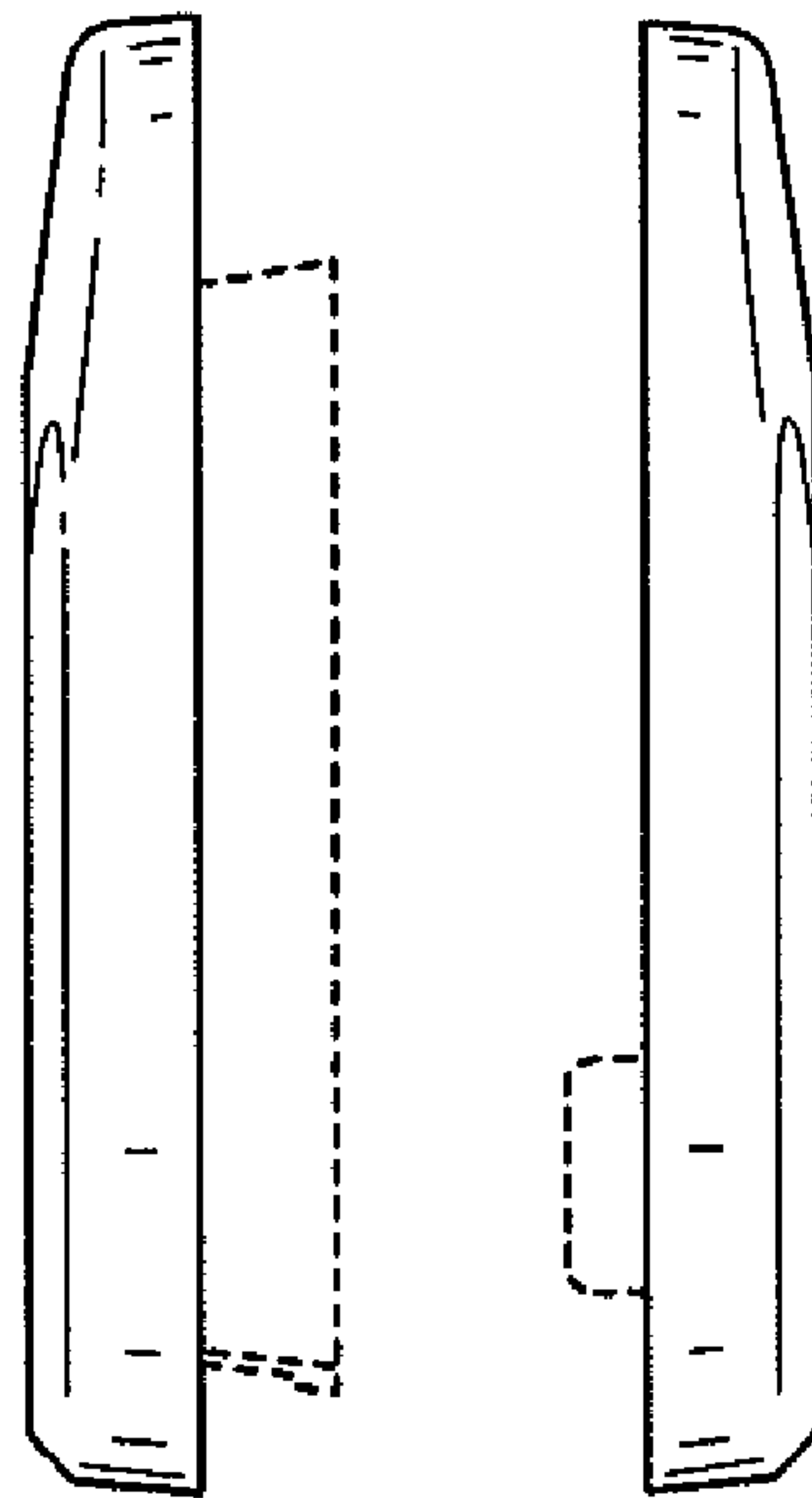


FIG. 14

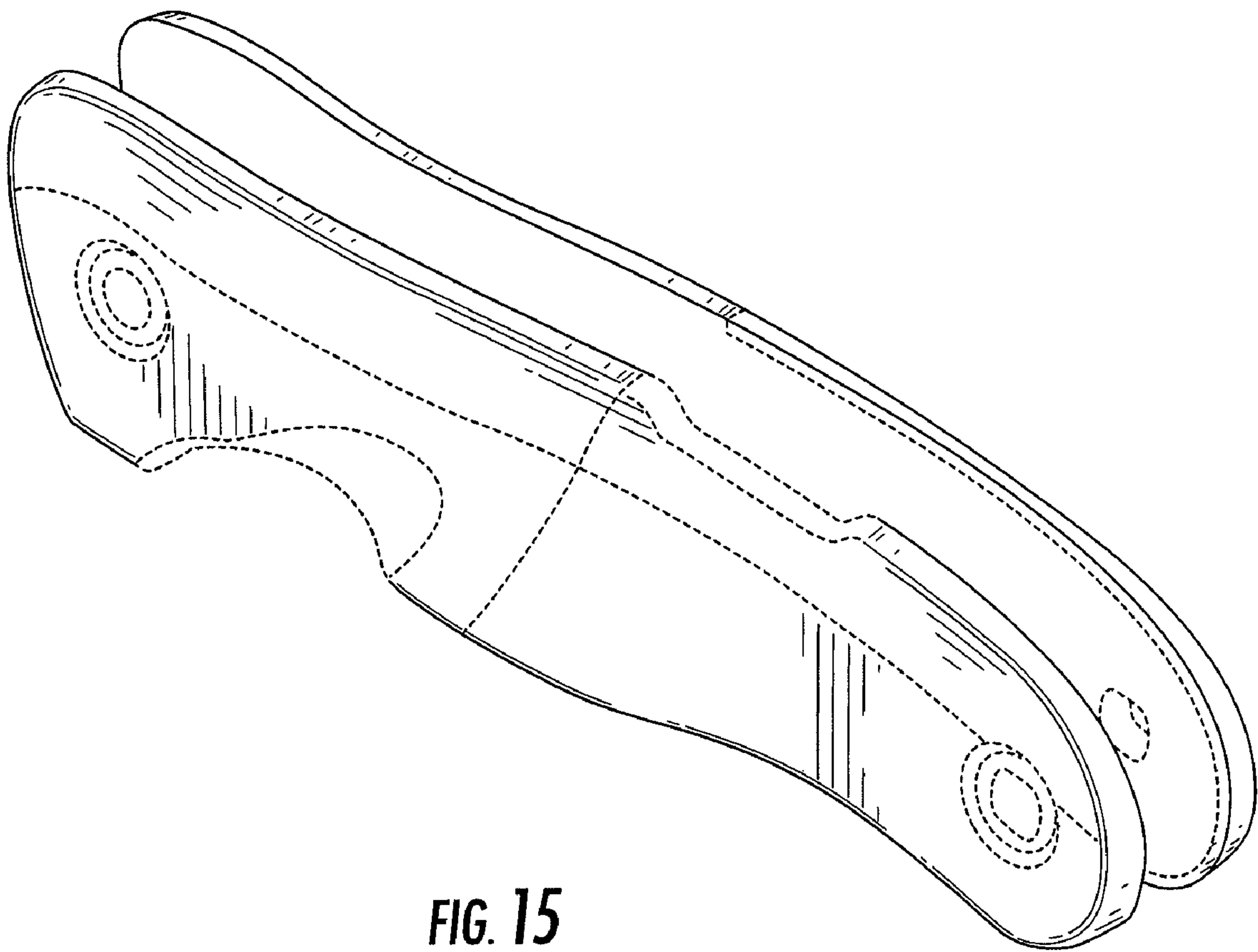


FIG. 15

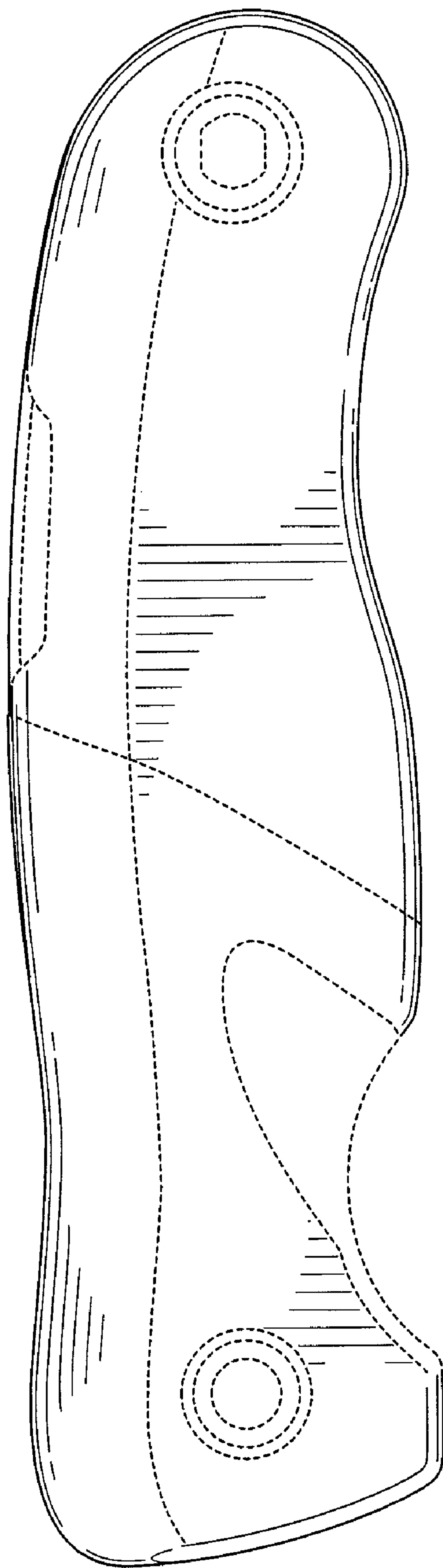


FIG. 16

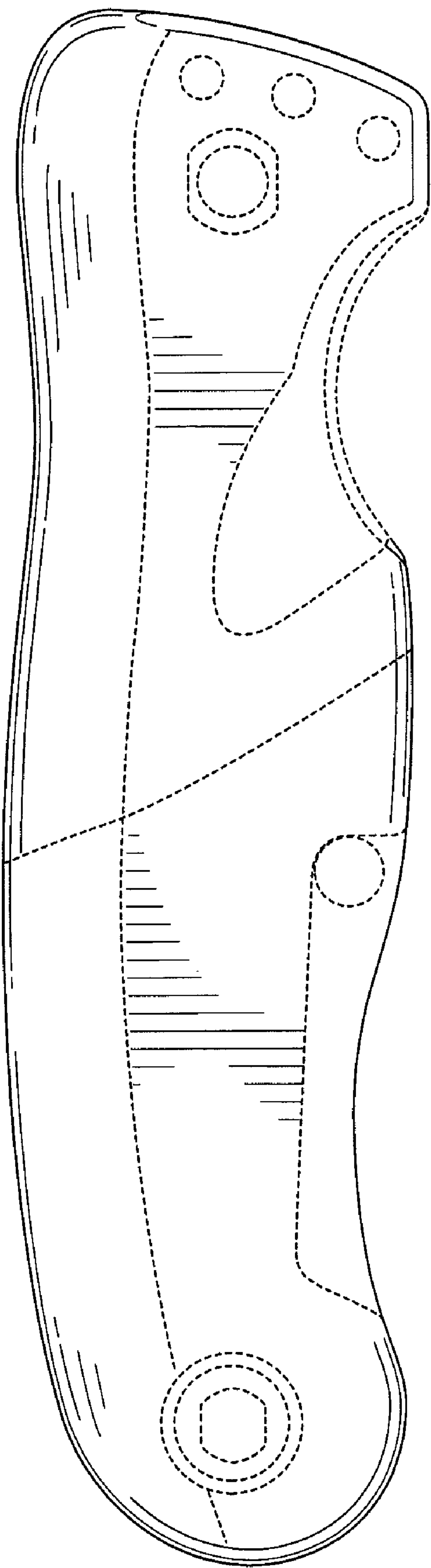


FIG. 17

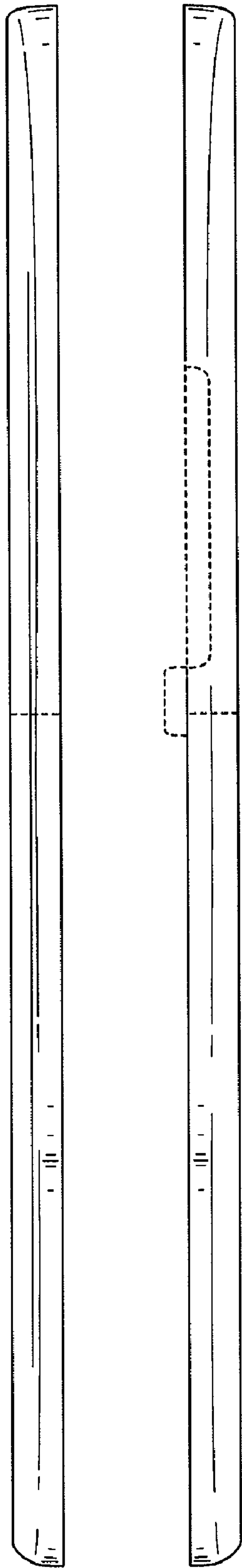


FIG. 18

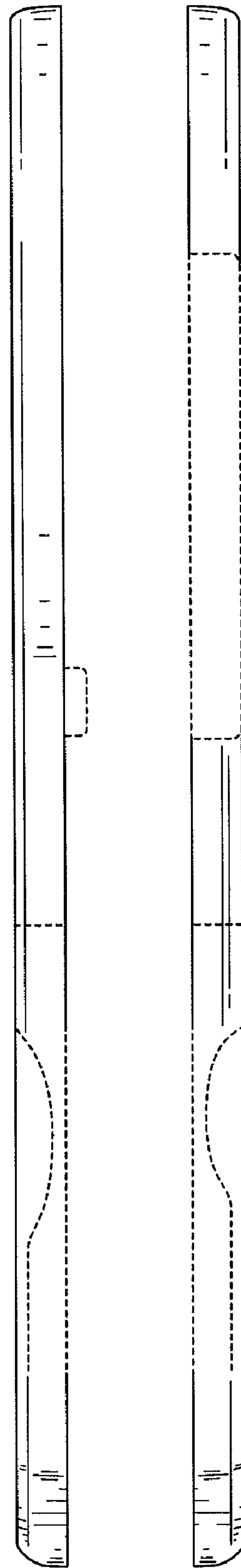


FIG. 19

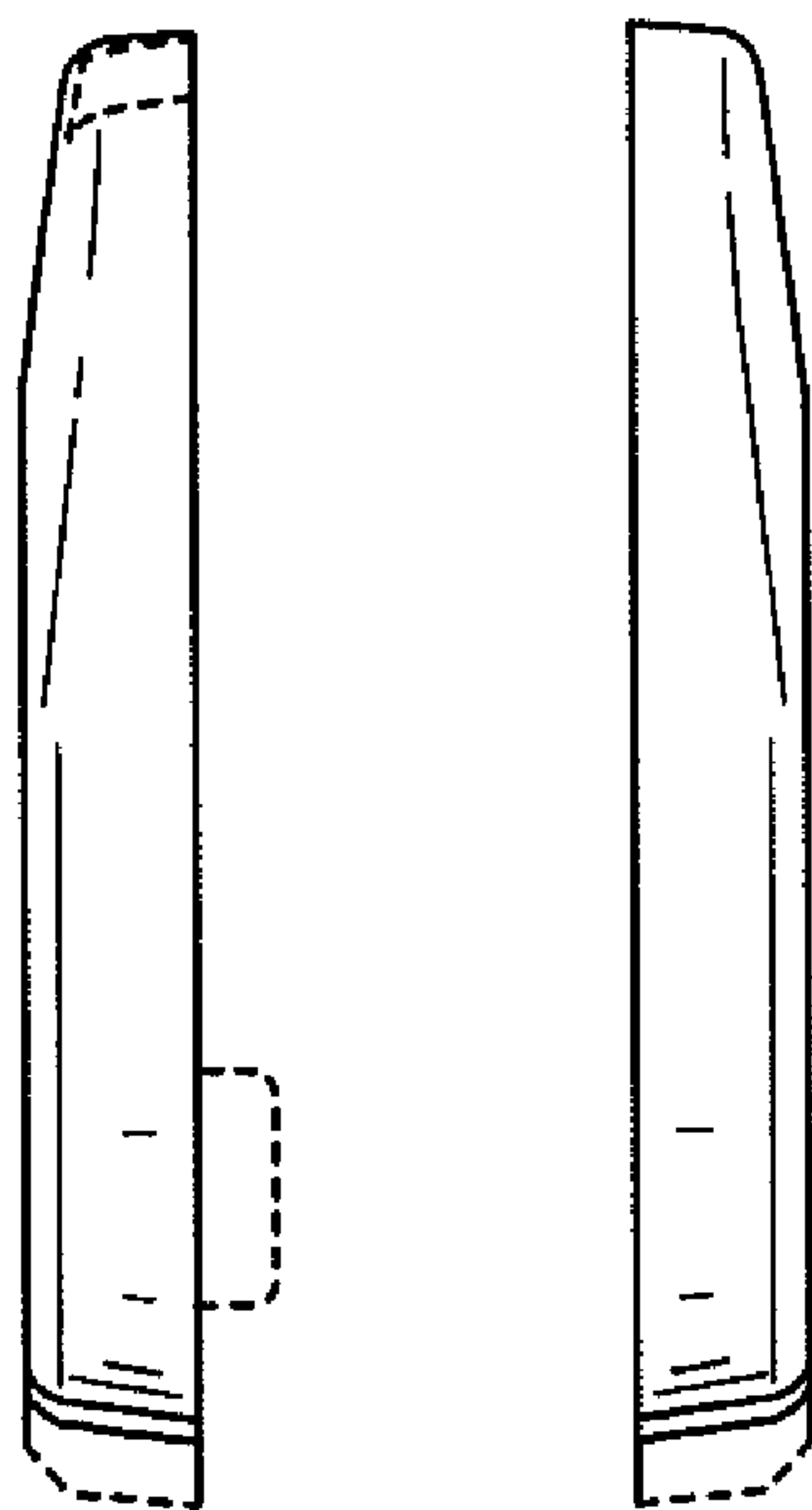


FIG. 20

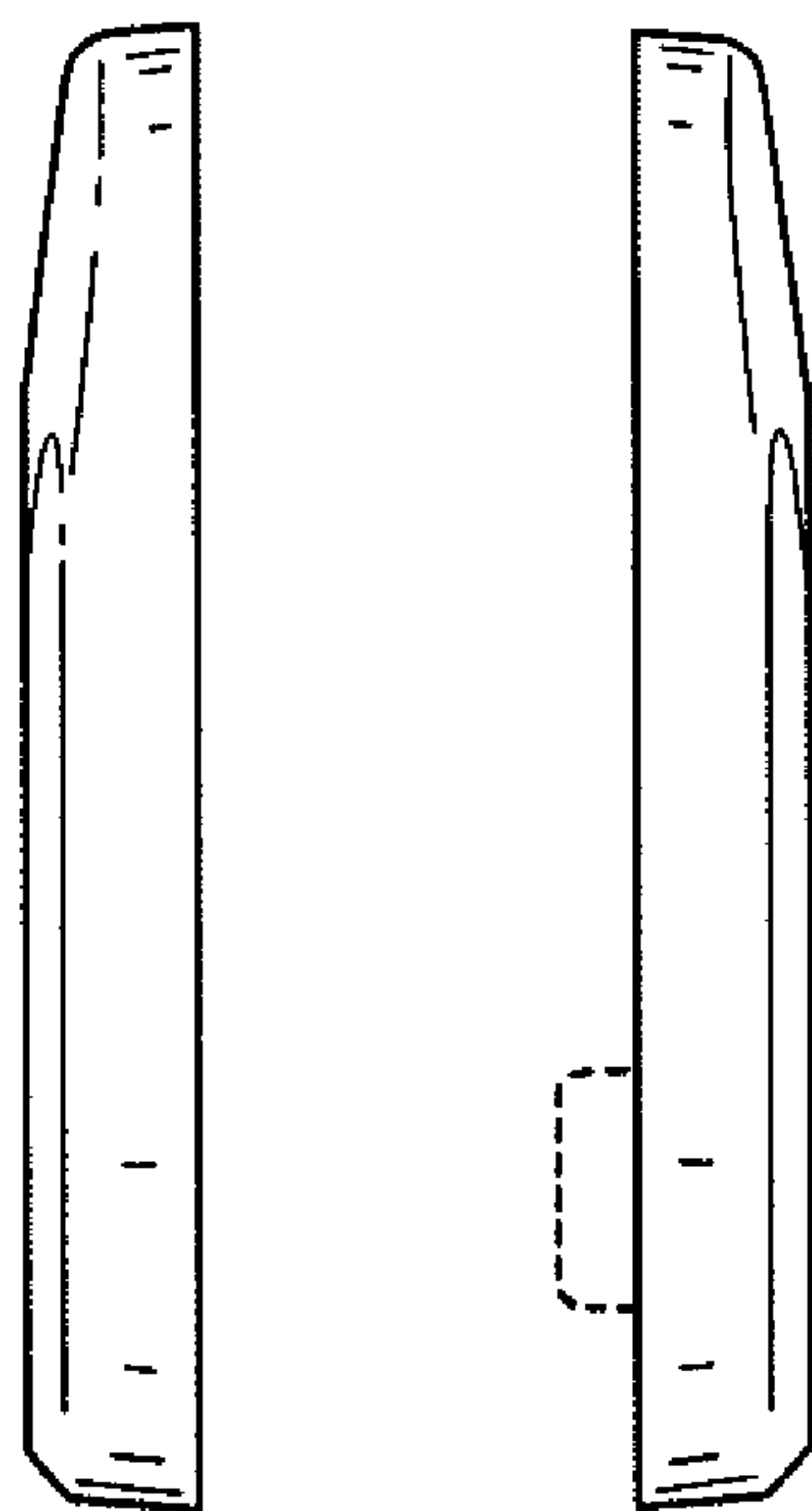


FIG. 21