



US00D595101S

(12) **United States Design Patent**
Bast

(10) **Patent No.:** **US D595,101 S**

(45) **Date of Patent:** **** Jun. 30, 2009**

(54) **HAMMER DRILL**

(75) Inventor: **Markus Bast**, Winnenden (DE)

(73) Assignee: **AEG Electric Tools GmbH**, Winnenden (DE)

(**) Term: **14 Years**

(21) Appl. No.: **29/303,648**

(22) Filed: **Feb. 14, 2008**

(51) **LOC (9) Cl.** **08-05**

(52) **U.S. Cl.** **D8/68**

(58) **Field of Classification Search** D8/14.1,
D8/61, 62, 63, 64, 65, 66, 67, 68, 69, 70;
81/57.11, 429, 454, 455, 456, 469, 489; 173/13,
173/104, 114, 168, 169, 170, 171, 178, 201,
173/211, 213, 217; 408/20, 124, 125, 234,
408/241 R; 451/358; 310/50; 227/8, 113,
227/114, 120, 130, 136, 142

See application file for complete search history.

(56) **References Cited**

U.S. PATENT DOCUMENTS

3,919,573	A *	11/1975	Schmuck	310/50
4,378,053	A *	3/1983	Simpson	173/13
4,998,588	A *	3/1991	Manschitz	173/104
D333,767	S *	3/1993	Sasaki et al.	D8/69
D341,533	S *	11/1993	Karafuji et al.	D8/69
D349,029	S *	7/1994	Matsunaga et al.	D8/69
D361,252	S *	8/1995	De Neergaard et al.	D8/69
D377,591	S *	1/1997	Hattori	D6/68
D395,586	S *	6/1998	Arakawa et al.	D8/67
D447,032	S *	8/2001	Schoen et al.	D8/67
D466,780	S *	12/2002	Stirm	D8/69

D474,092	S *	5/2003	Stirm	D8/69
D515,383	S *	2/2006	Aglassinger	D8/69
D518,347	S *	4/2006	Corcoran	D8/69
D525,849	S *	8/2006	Hayakawa et al.	D8/69
D526,179	S *	8/2006	Hayakawa et al.	D8/69
D540,642	S *	4/2007	Stirm	D8/69
D555,451	S *	11/2007	Okuda et al.	D8/69
7,320,368	B2 *	1/2008	Watanabe	310/50
7,322,427	B2 *	1/2008	Shimma et al.	173/170
D575,606	S *	8/2008	Okouchi et al.	D8/69
2003/0116332	A1 *	6/2003	Nadig et al.	173/104
2004/0211575	A1 *	10/2004	Soika et al.	173/217
2005/0087352	A1 *	4/2005	Fohr	173/114
2005/0087353	A1 *	4/2005	Oki et al.	173/170
2006/0060365	A1 *	3/2006	Kunz	173/217
2007/0074883	A1 *	4/2007	Strasser et al.	173/104

* cited by examiner

Primary Examiner—T. Chase Nelson

Assistant Examiner—Karen Acker

(74) *Attorney, Agent, or Firm*—Gudrun E. Huckett

(57) **CLAIM**

The ornamental design for a hammer drill, as shown and described.

DESCRIPTION

FIG. 1 is a first side view of my hammer drill;

FIG. 2 is a front view of my hammer drill;

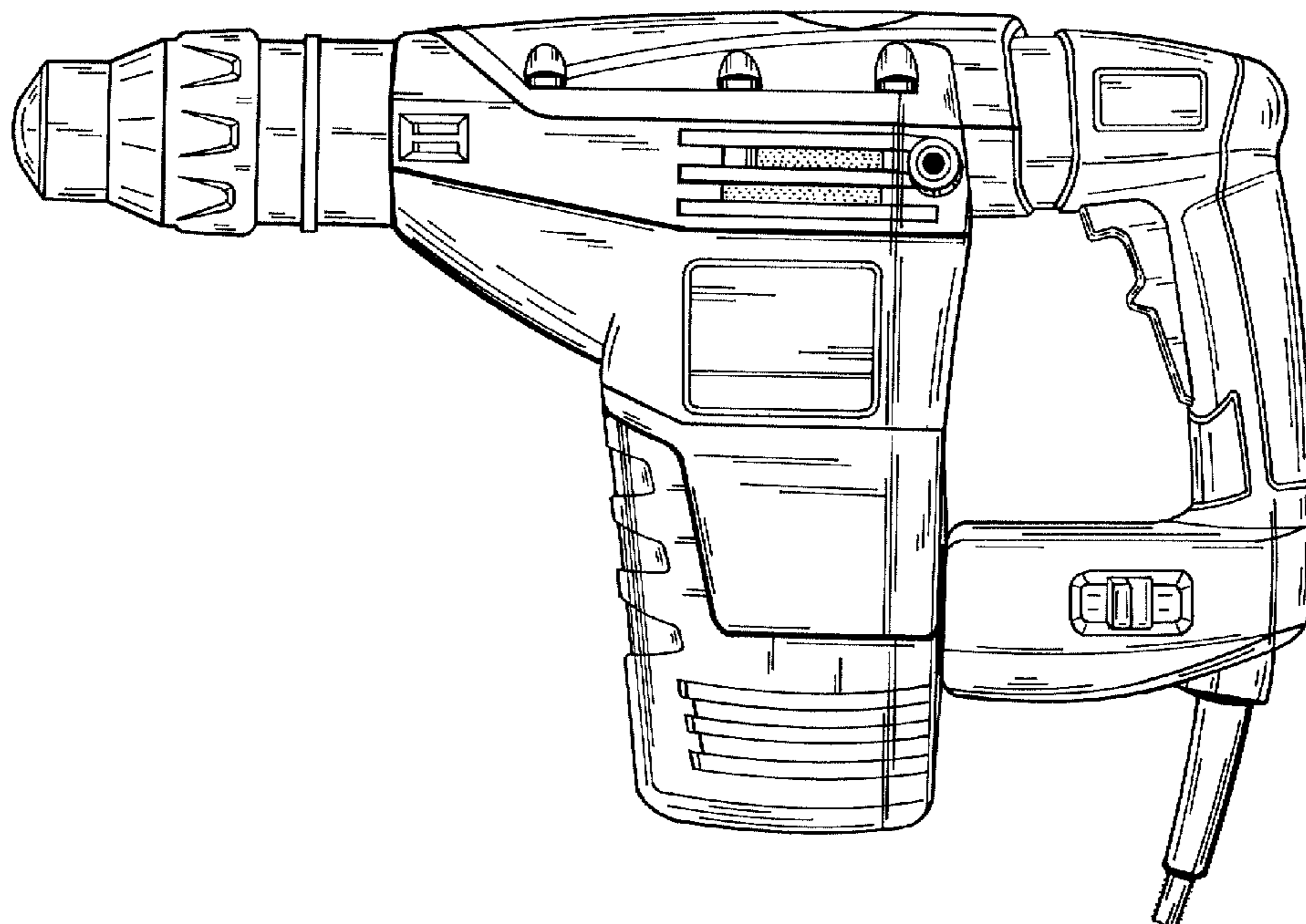
FIG. 3 is a second side view of my hammer drill;

FIG. 4 is a rear view of my hammer drill;

FIG. 5 is a top view of my hammer drill; and,

FIG. 6 is a bottom view of my hammer drill.

1 Claim, 6 Drawing Sheets



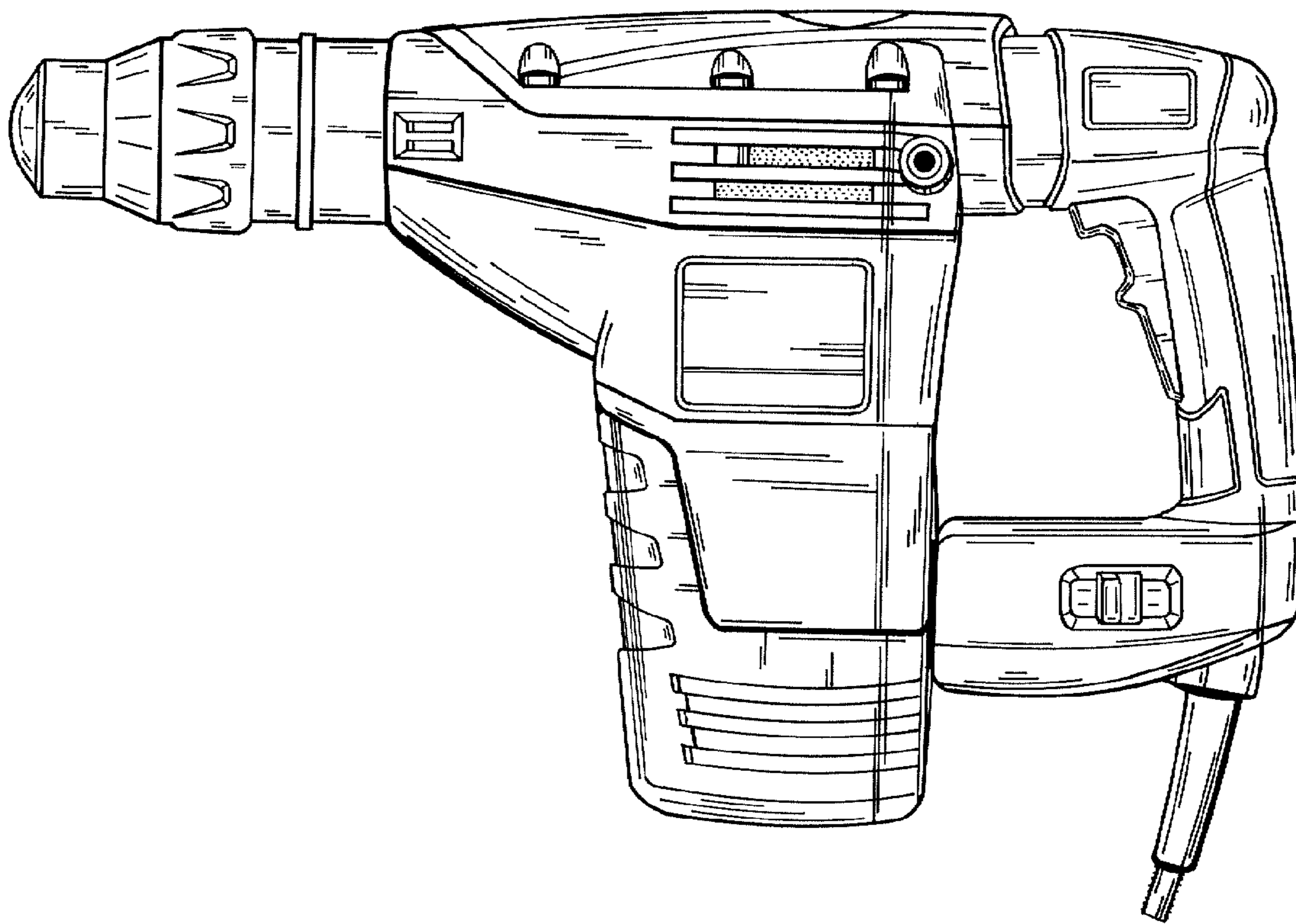


Fig.1

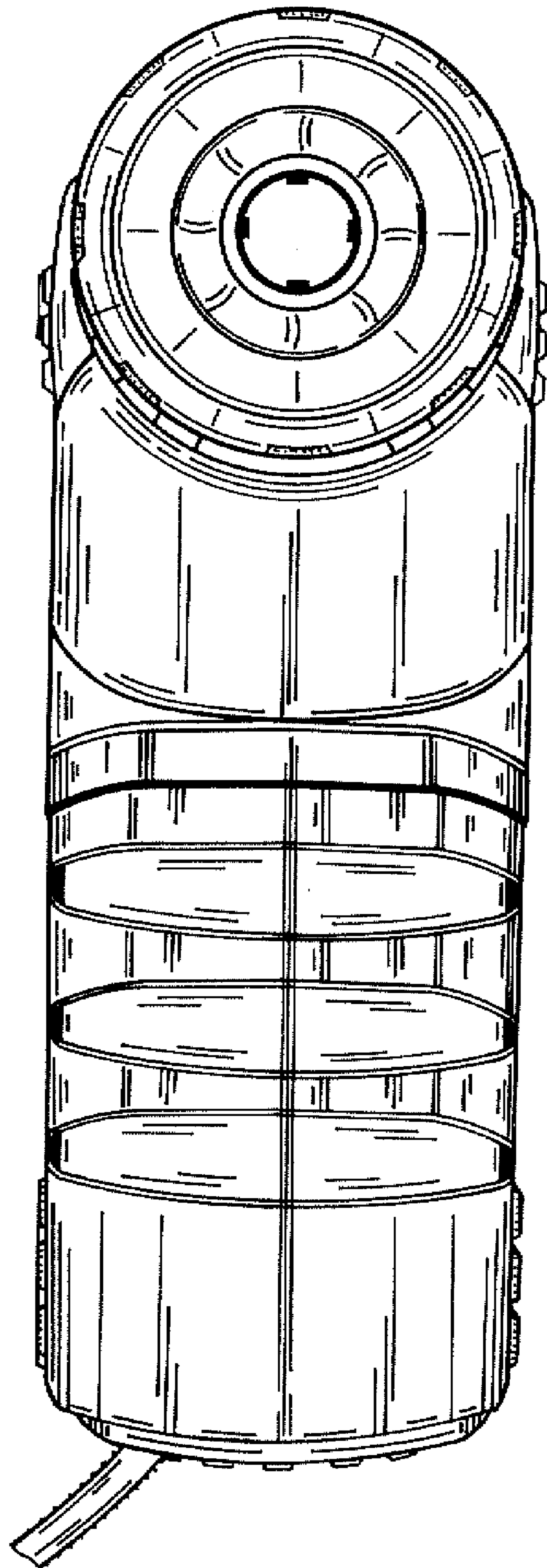


Fig.2

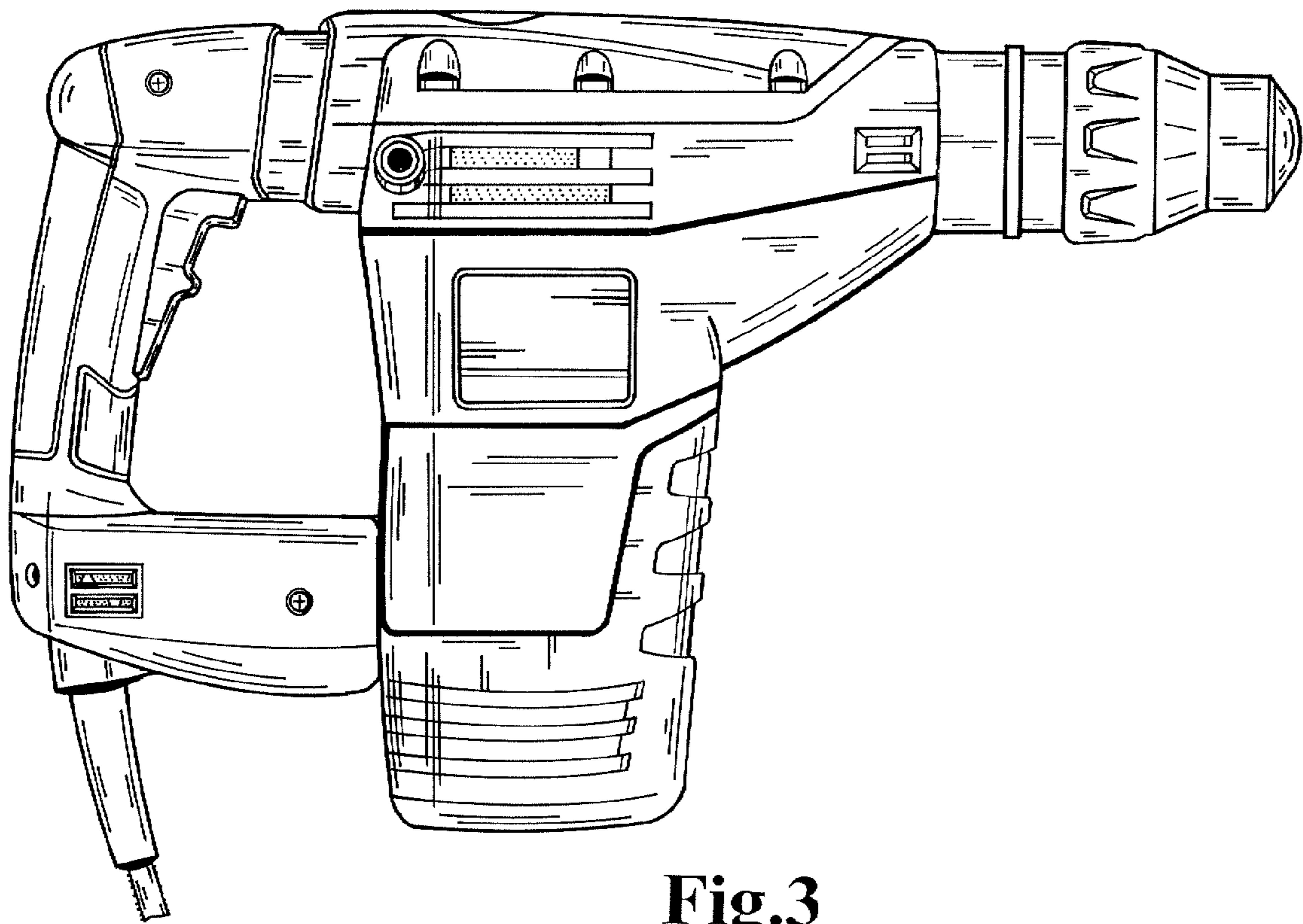


Fig.3

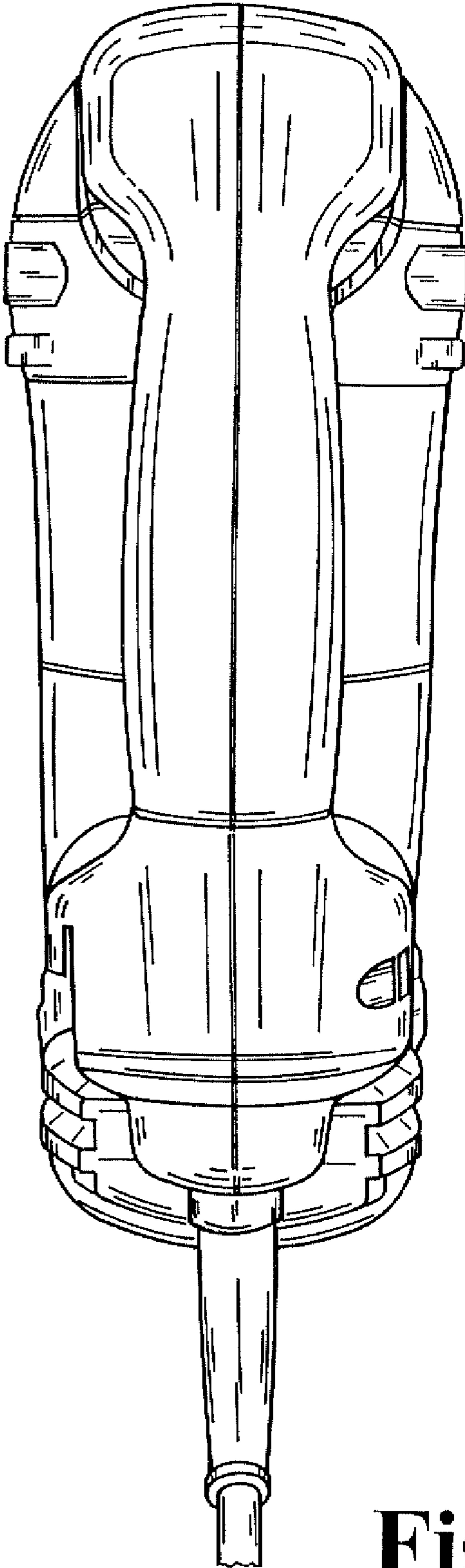


Fig.4

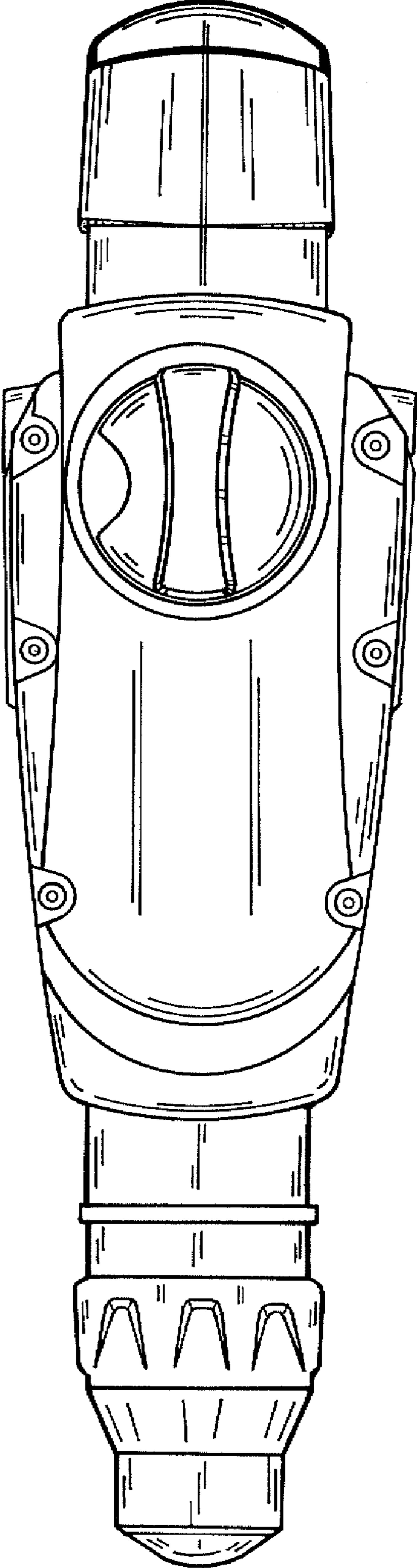


Fig. 5

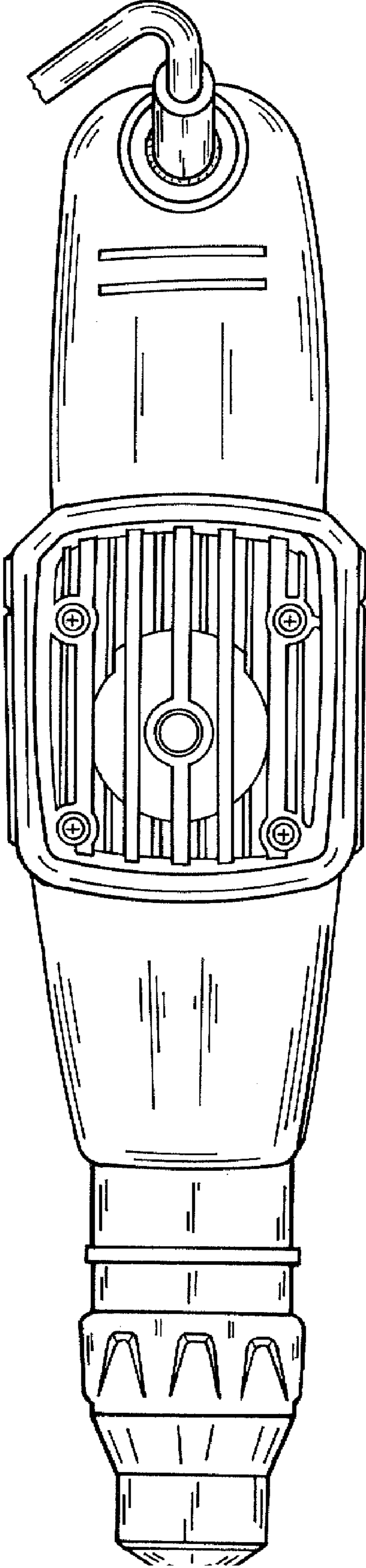


Fig. 6

UNITED STATES PATENT AND TRADEMARK OFFICE
CERTIFICATE OF CORRECTION

PATENT NO. : Des. 595,101 S
APPLICATION NO. : 29/303648
DATED : June 30, 2009
INVENTOR(S) : Markus Bast

Page 1 of 1

It is certified that error appears in the above-identified patent and that said Letters Patent is hereby corrected as shown below:

On the front page, in the left column insert the following foreign application priority data:

--(30) Foreign Application Priority Data
Aug. 16, 2007 (EU) 000 775 036-0001--

Signed and Sealed this

Ninth Day of February, 2010



David J. Kappos
Director of the United States Patent and Trademark Office