



US00D595094S

(12) **United States Design Patent**
Vernes et al.

(10) **Patent No.:** **US D595,094 S**
(45) **Date of Patent:** **** Jun. 30, 2009**

(54) **COCKTAIL PLATE**
(75) Inventors: **Jim Vernes**, Tubac, AZ (US); **Tim Lehman**, Laguna Niguel, CA (US)
(73) Assignee: **Mingle Easy, Inc.**, Henderson, NV (US)
(**) Term: **14 Years**
(21) Appl. No.: **29/310,918**
(22) Filed: **Sep. 17, 2008**

D311,662 S * 10/1990 Lorenzana et al. D7/505
D326,798 S * 6/1992 Grossman et al. D7/549
D326,962 S * 6/1992 Mowry et al. D7/552.2
D336,407 S * 6/1993 Harding et al. D7/553.5
D363,857 S * 11/1995 Sussman D7/552.2
D373,933 S * 9/1996 Gibbs, III D7/555
D453,891 S * 2/2002 Sussman D7/553.1
D479,439 S * 9/2003 Joss et al. D7/553.4
D519,787 S * 5/2006 Kilders D7/549

* cited by examiner

Primary Examiner—Charles A Rademaker
(74) *Attorney, Agent, or Firm*—Carr & Ferrell LLP

(51) **LOC (9) Cl.** **07-02**
(52) **U.S. Cl.** **D7/553.4; D7/553.7**
(58) **Field of Classification Search** D7/550.1,
D7/565, 566, 570, 584, 586, 588, 554.2, 545,
D7/505, 509, 510, 507, 555; D9/431, 432,
D9/761, 427, 425; 220/23.83, 657, 654,
220/771, 904, 574, 212, 574.4, 577, 561,
220/503, 575; 206/307, 308.1, 308.3, 504,
206/564, 440, 561; 425/623, 459
See application file for complete search history.

(57) **CLAIM**

We claim the ornamental design for a cocktail plate, as shown and described.

DESCRIPTION

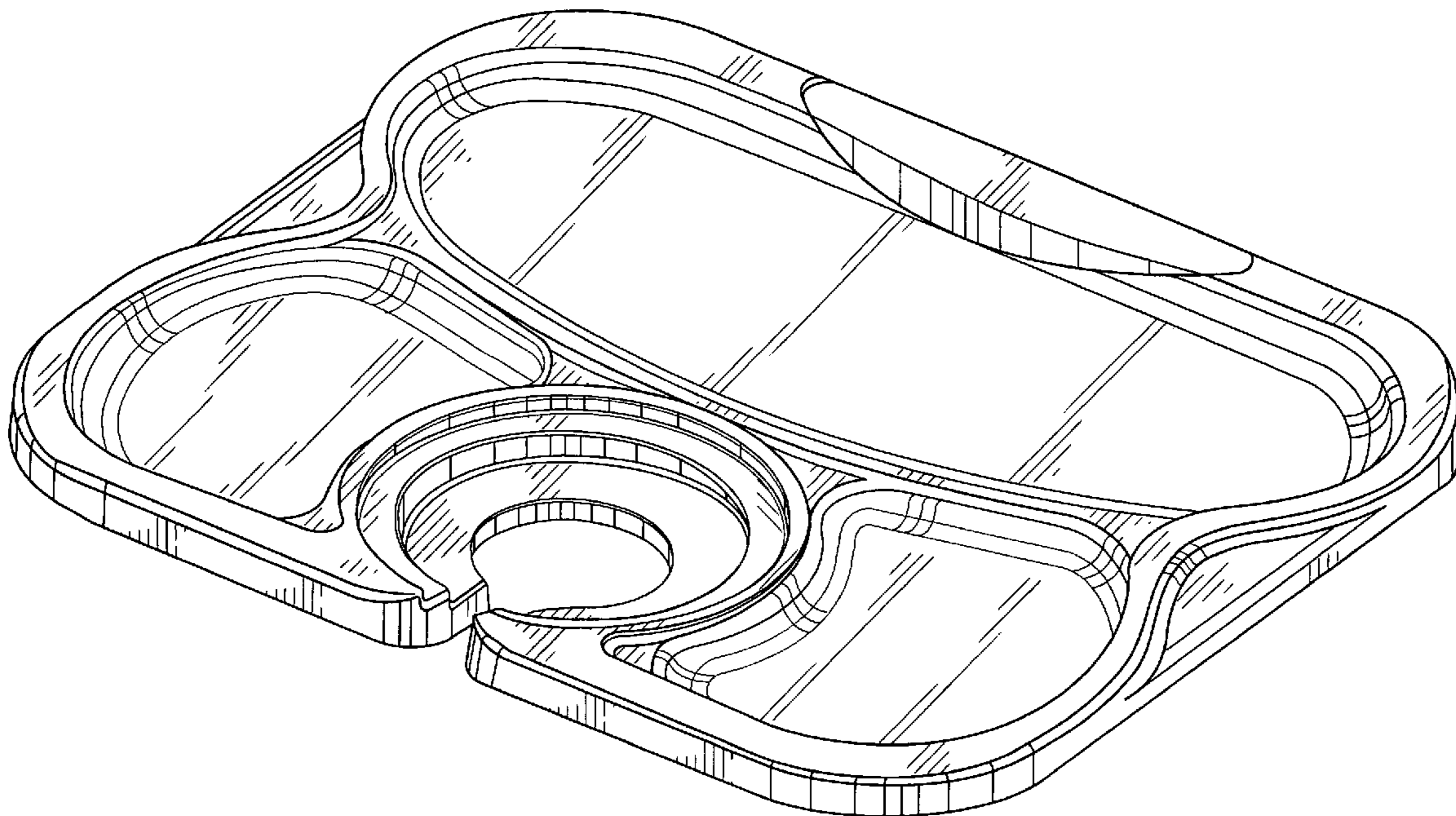
FIG. 1 is a perspective view of a cocktail plate showing our new design;
FIG. 2 is a front elevational view thereof;
FIG. 3 is a rear elevational view thereof;
FIG. 4 is a side elevational view of the right side thereof, the side elevational view of the left side being a mirror image of the right side elevational view;
FIG. 5 is a top plan view thereof; and,
FIG. 6 is a bottom plan view thereof.

1 Claim, 4 Drawing Sheets

(56) **References Cited**

U.S. PATENT DOCUMENTS

D173,944 S * 2/1955 Harris D7/552.2
3,601,277 A * 8/1971 Andrews et al. D7/555
D231,180 S * 4/1974 Vigue D7/553.4
D233,581 S * 11/1974 Bridges et al. D7/553.4
D249,774 S * 10/1978 Seager D7/553.5
D270,324 S * 8/1983 French D7/505
D273,213 S * 3/1984 Simmons D21/519



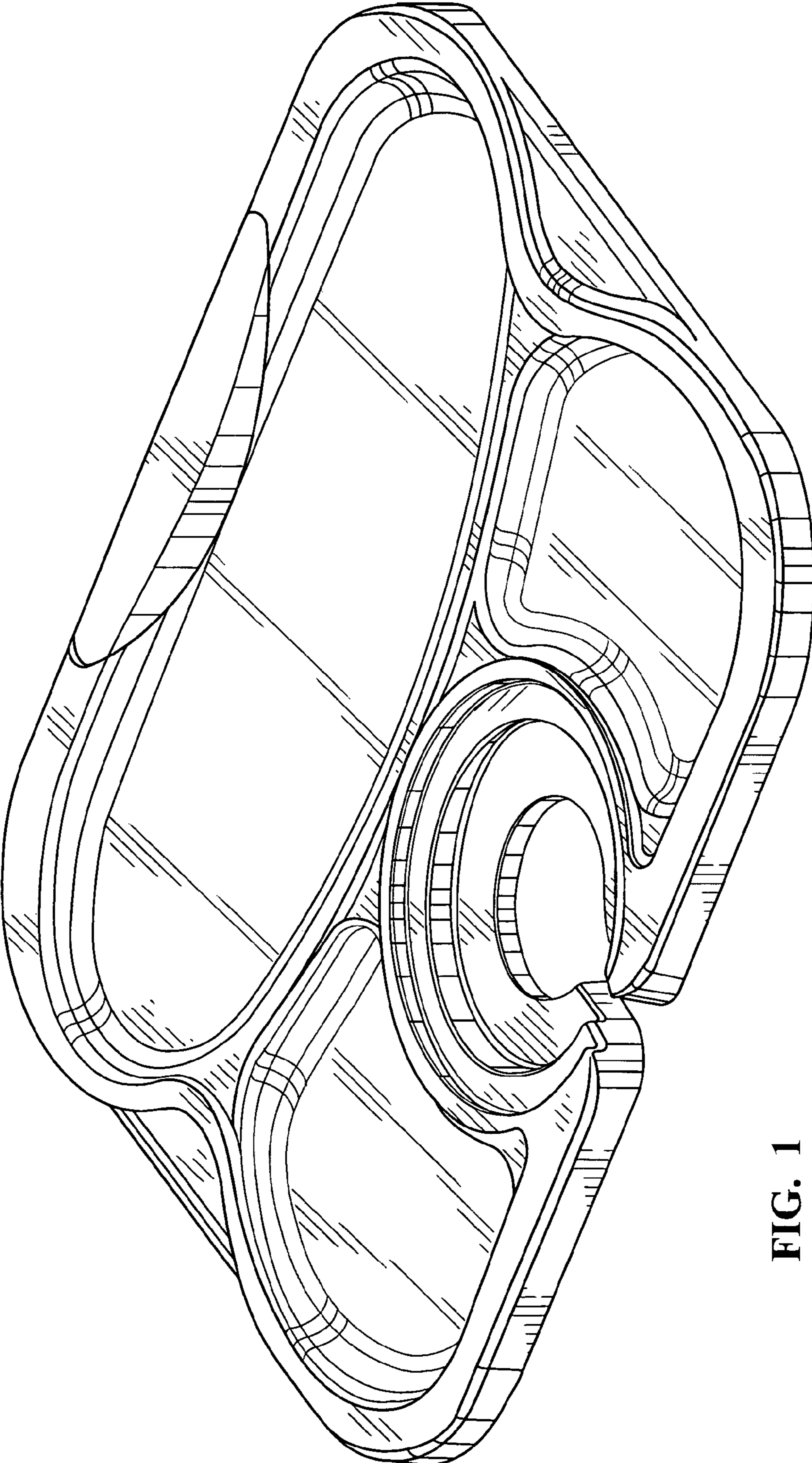


FIG. 1

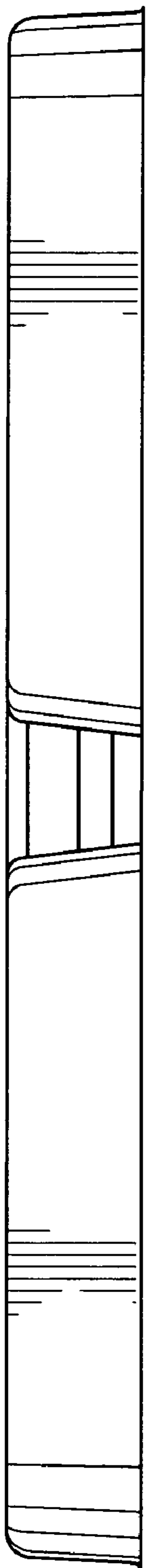


FIG. 2

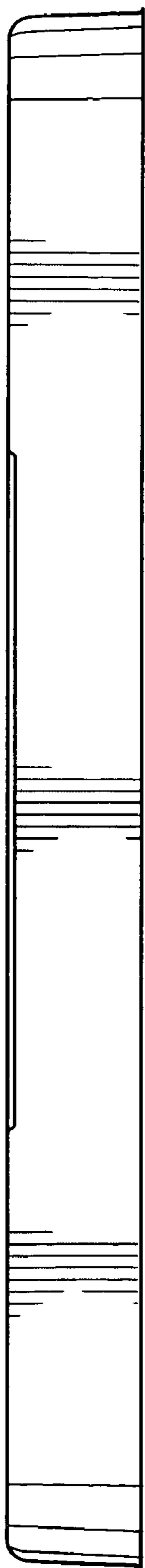


FIG. 3

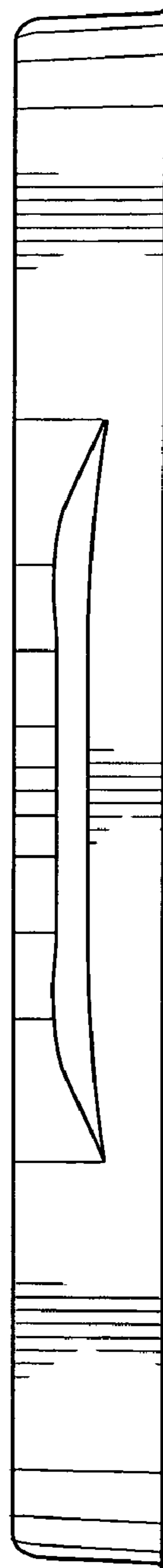


FIG. 4

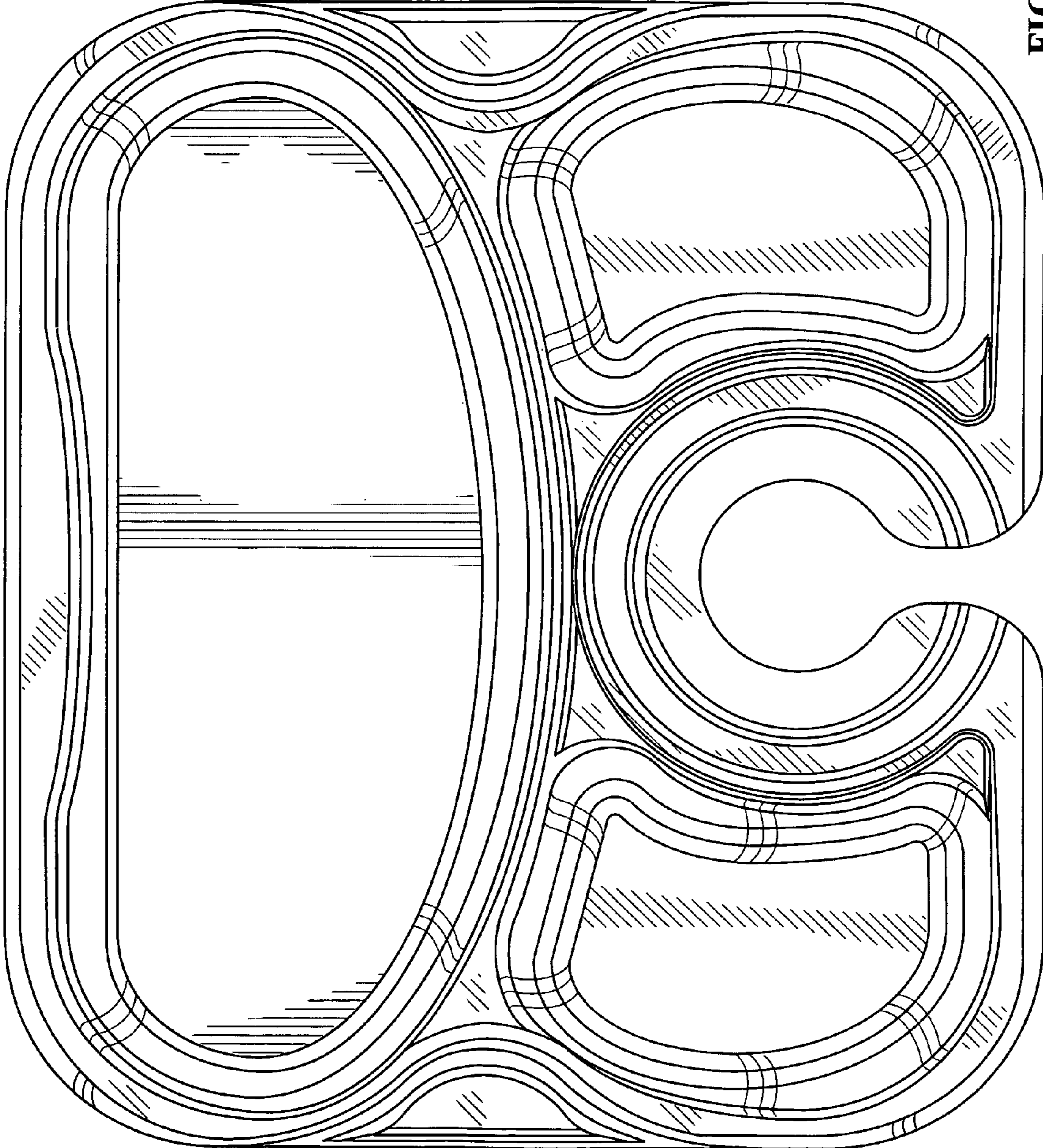


FIG. 5

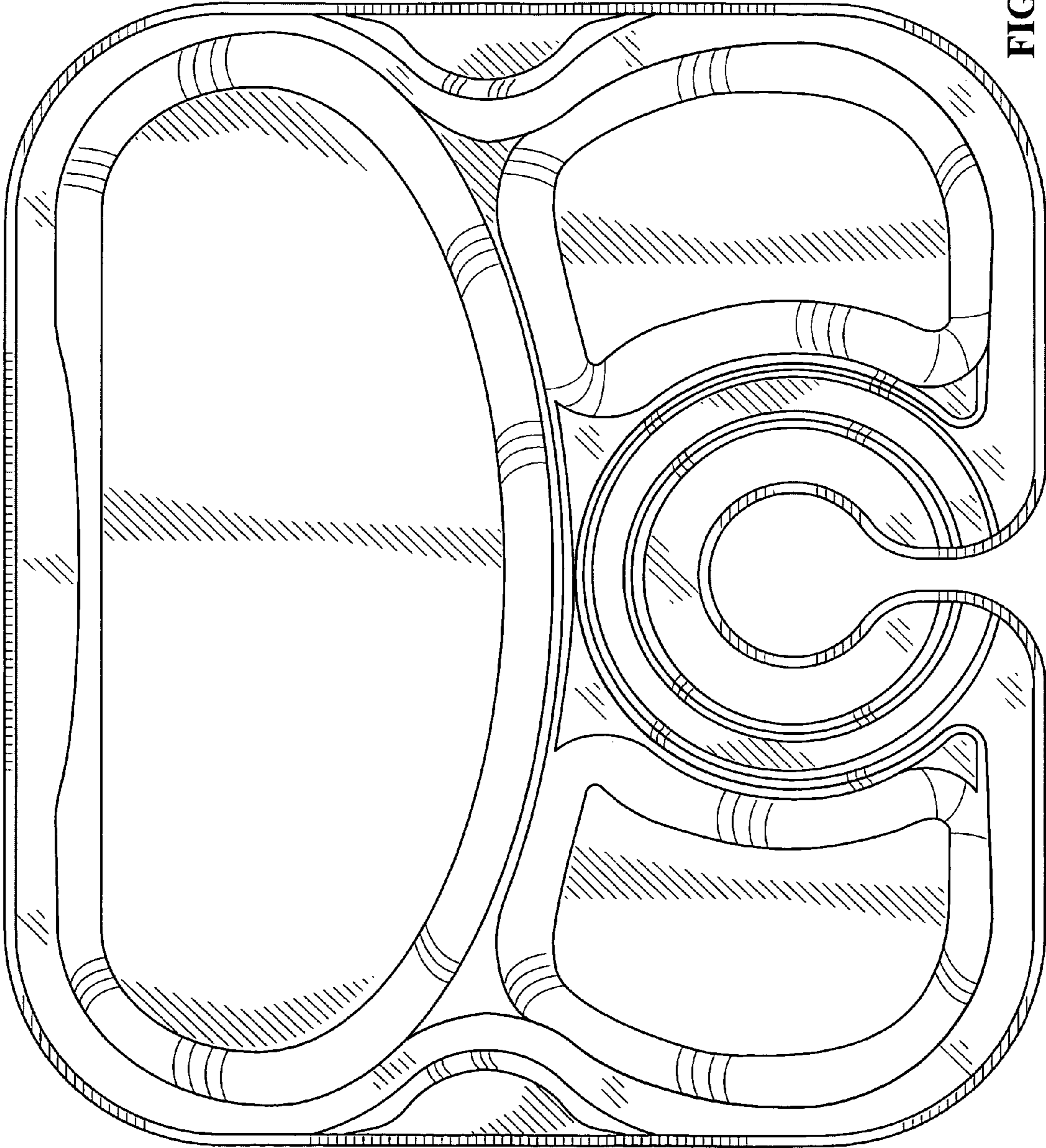


FIG. 6

UNITED STATES PATENT AND TRADEMARK OFFICE
CERTIFICATE OF CORRECTION

PATENT NO. : Des. 595,094 S
APPLICATION NO. : 29/310918
DATED : June 30, 2009
INVENTOR(S) : Jim Vernes et al.

Page 1 of 1

It is certified that error appears in the above-identified patent and that said Letters Patent is hereby corrected as shown below:

Title Page, Item (75), Inventors, "Jim Vernes, Tubac, AZ (US)"

Should read -- Jim Vernes, Henderson, NV 89011 --.

The citizenship of inventor Jim Vernes should be listed as "Canada".

Signed and Sealed this

Third Day of August, 2010

A handwritten signature in black ink that reads "David J. Kappos". The signature is written in a cursive style with a large initial 'D' and 'K'.

David J. Kappos
Director of the United States Patent and Trademark Office