



US00D595093S

(12) **United States Design Patent**  
**McComas**

(10) **Patent No.:** **US D595,093 S**

(45) **Date of Patent:** **\*\* Jun. 30, 2009**

(54) **COMPARTMENTED PLATE WITH CADDY**

(76) Inventor: **Linda McComas**, 6925 Linda Vista Blvd., Missoula, MT (US) 59803

(\*\*) Term: **14 Years**

(21) Appl. No.: **29/320,973**

(22) Filed: **Jul. 8, 2008**

(51) **LOC (9) Cl.** ..... **07-01**

(52) **U.S. Cl.** ..... **D7/546; D7/553.4**

(58) **Field of Classification Search** ..... D7/500,  
D7/505, 540, 555, 560, 554.2, 566, 584, 585,  
D7/587, 698, 570, 567, 543, 624.1, 552.1,  
D7/553.4, 554.3, 554.4, 557, 561, 562, 586,  
D7/553.8, 549, 546; 229/401; 220/574.1,  
220/575, 23.4, 23.86, 574.2; 206/426, 454,  
206/563, 564; D9/456

See application file for complete search history.

(56) **References Cited**

**U.S. PATENT DOCUMENTS**

421,264	A *	2/1890	Gibbons	.....	220/575
D48,930	S *	4/1916	Douglass	.....	D7/555
D52,278	S *	8/1918	Kraus	.....	D7/555
D87,682	S *	8/1932	Porter	.....	D7/543
1,953,933	A *	4/1934	Gundelach	.....	D7/543
D150,666	S *	8/1948	Zachary	.....	D7/555
D270,324	S *	8/1983	French	.....	D7/505
D278,198	S *	4/1985	Harper	.....	D7/555
D305,191	S *	12/1989	Wasserman	.....	D7/555
D331,860	S *	12/1992	Stanfield	.....	D7/555
5,323,910	A	6/1994	van de Graff		
5,419,455	A *	5/1995	Rousseau	.....	220/575
D378,792	S *	4/1997	Westcott	.....	D7/501
D392,156	S *	3/1998	Michael	.....	D7/555
5,950,856	A	9/1999	Cinque		
D415,930	S *	11/1999	Schmidt	.....	D7/555
D448,977	S *	10/2001	Bleimaier et al.	.....	D7/553.6

6,651,836	B1 *	11/2003	Hofheins et al.	.....	220/575
6,691,890	B1 *	2/2004	Persson	.....	220/575
D577,268	S *	9/2008	Shamoon	.....	D7/698

\* cited by examiner

*Primary Examiner*—Charles A Rademaker

(74) *Attorney, Agent, or Firm*—Sarah J. Rhoades

(57) **CLAIM**

The ornamental design for a compartmented plate with caddy, as shown and described.

**DESCRIPTION**

FIG. 1 is a top plan view of a compartmented plate with caddy showing my new design;

FIG. 2 is a bottom perspective view thereof shown on a slightly enlarged scale;

FIG. 3 is a is side elevation thereof;

FIG. 4 is a top perspective view thereof shown on a slightly reduced scale with a human hand and cup sleeve drawn in broken lines to illustrate environment that forms no part of the claimed design;

FIG. 5 is another bottom perspective view thereof shown on a slightly reduced scale and showing the design in a rotated position;

FIG. 6 is side perspective view thereof with a cup shown in broken lines to illustrate environment that forms no part of the claimed design;

FIG. 7 is a bottom perspective view with the cup shown in an exploded position;

FIG. 8 is a side perspective view thereof with a cup shown in broken lines and in an exploded position to illustrate environment only; and,

FIG. 9 is another side perspective view thereof with a different cup shown in broken lines to illustrate environment only.

**1 Claim, 9 Drawing Sheets**

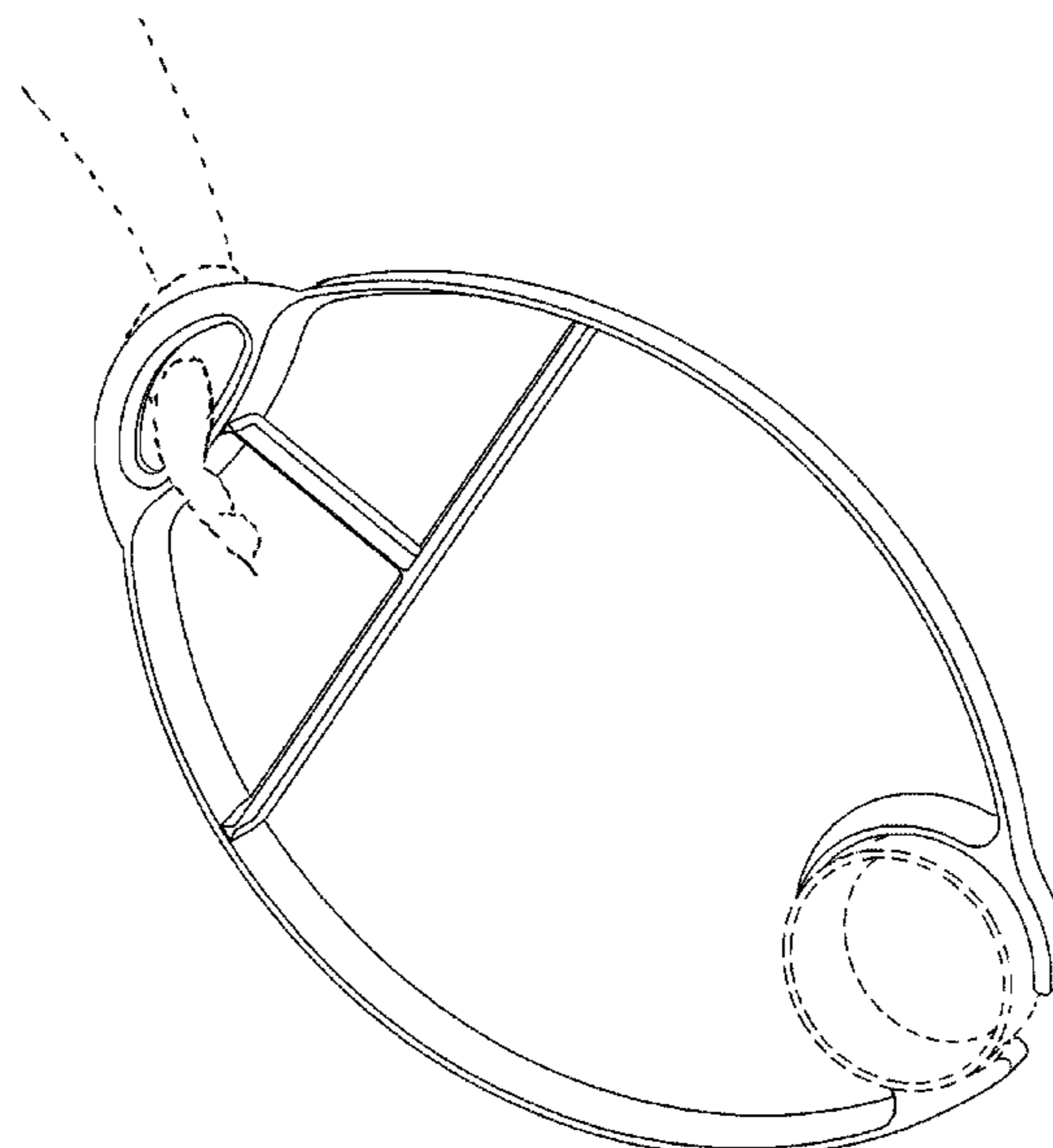


Figure 1

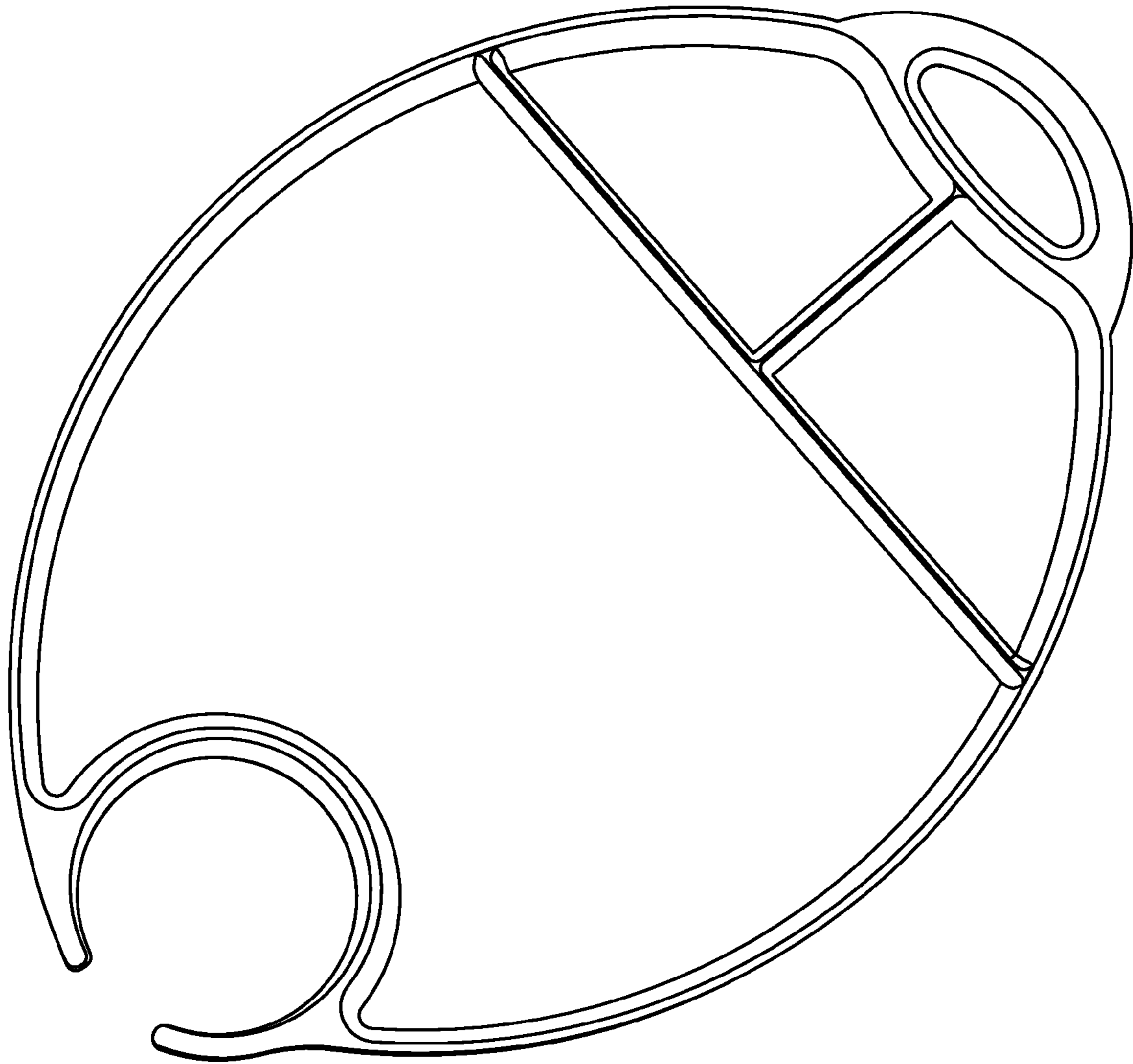


Figure 2

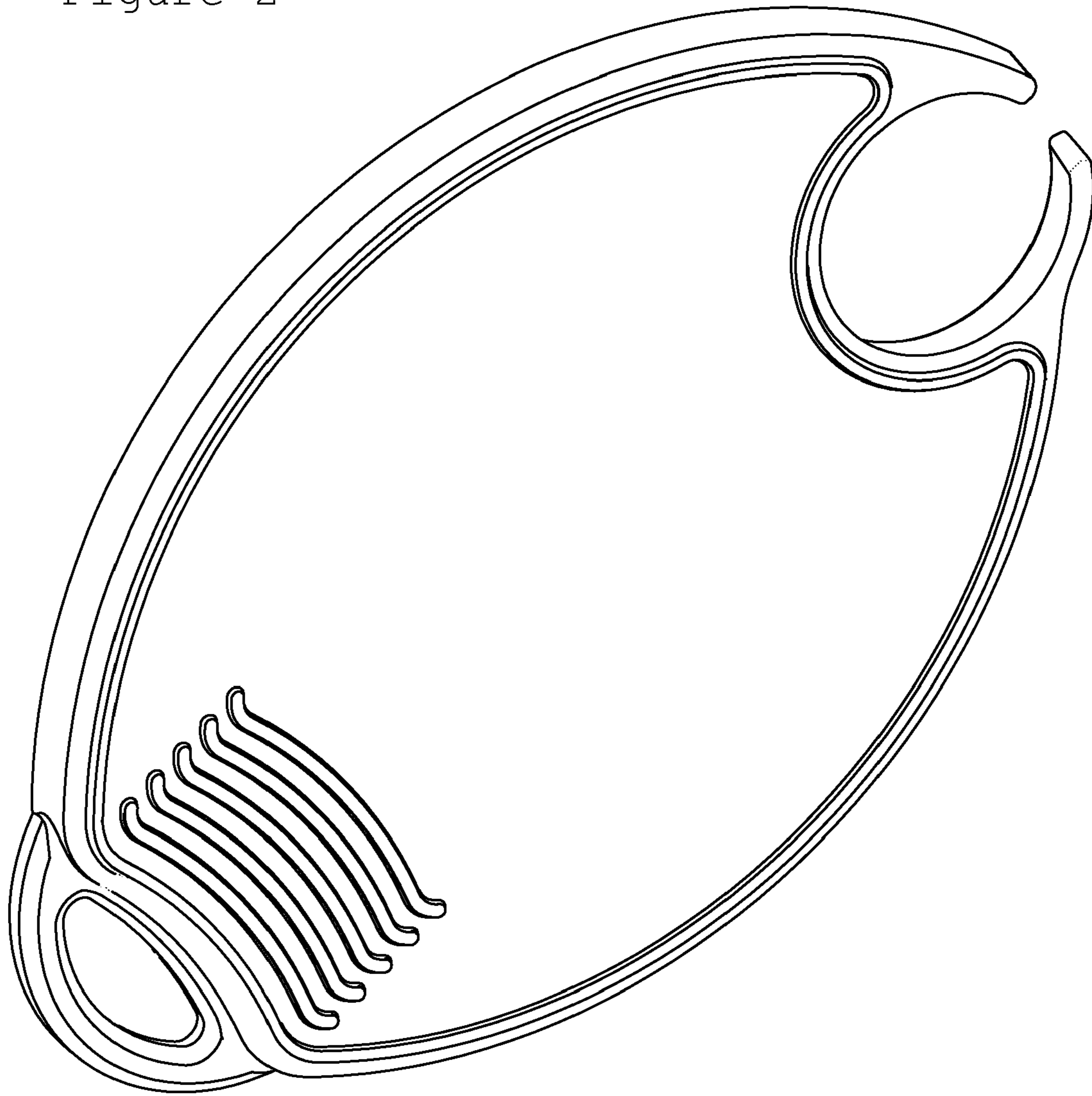


Figure 3

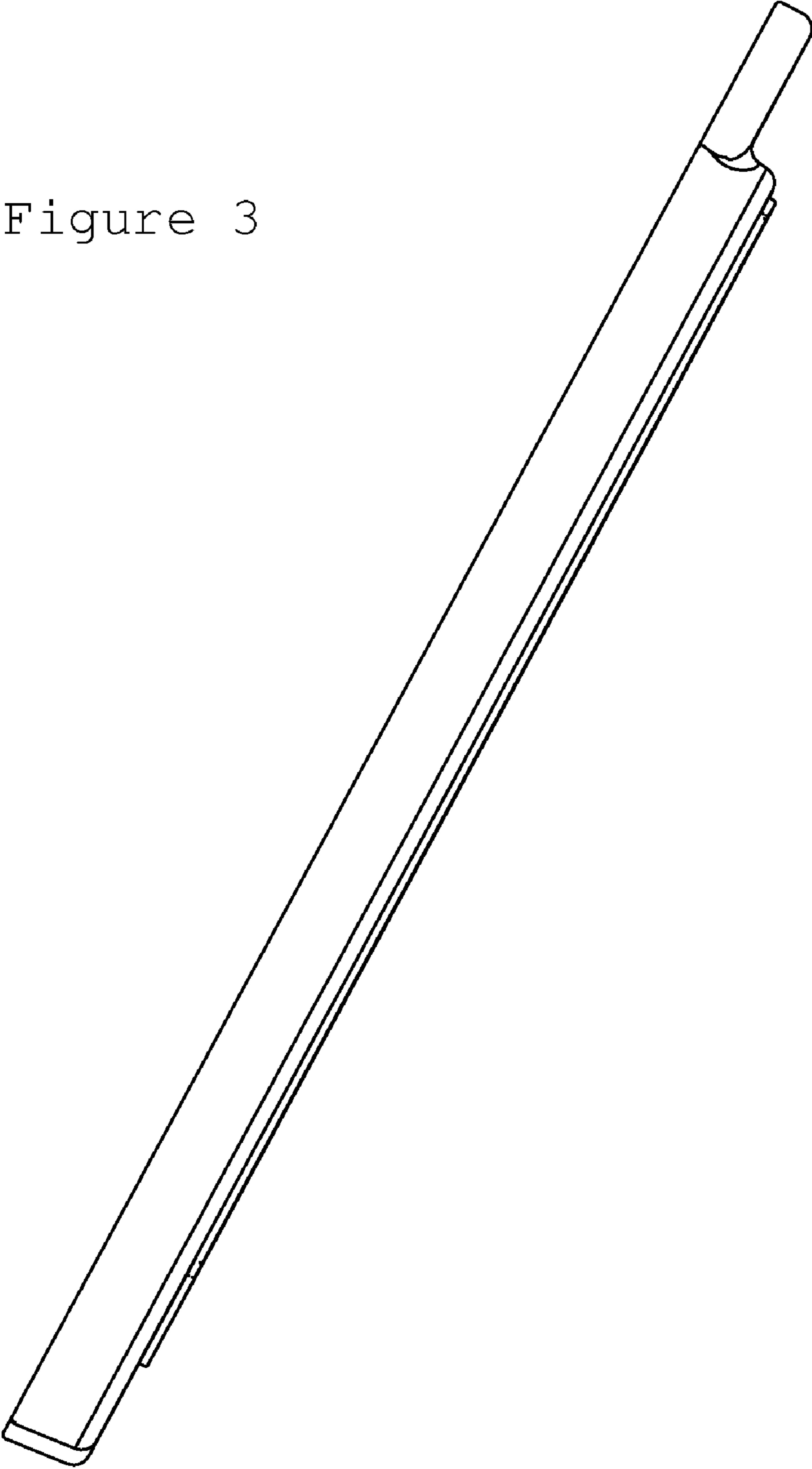
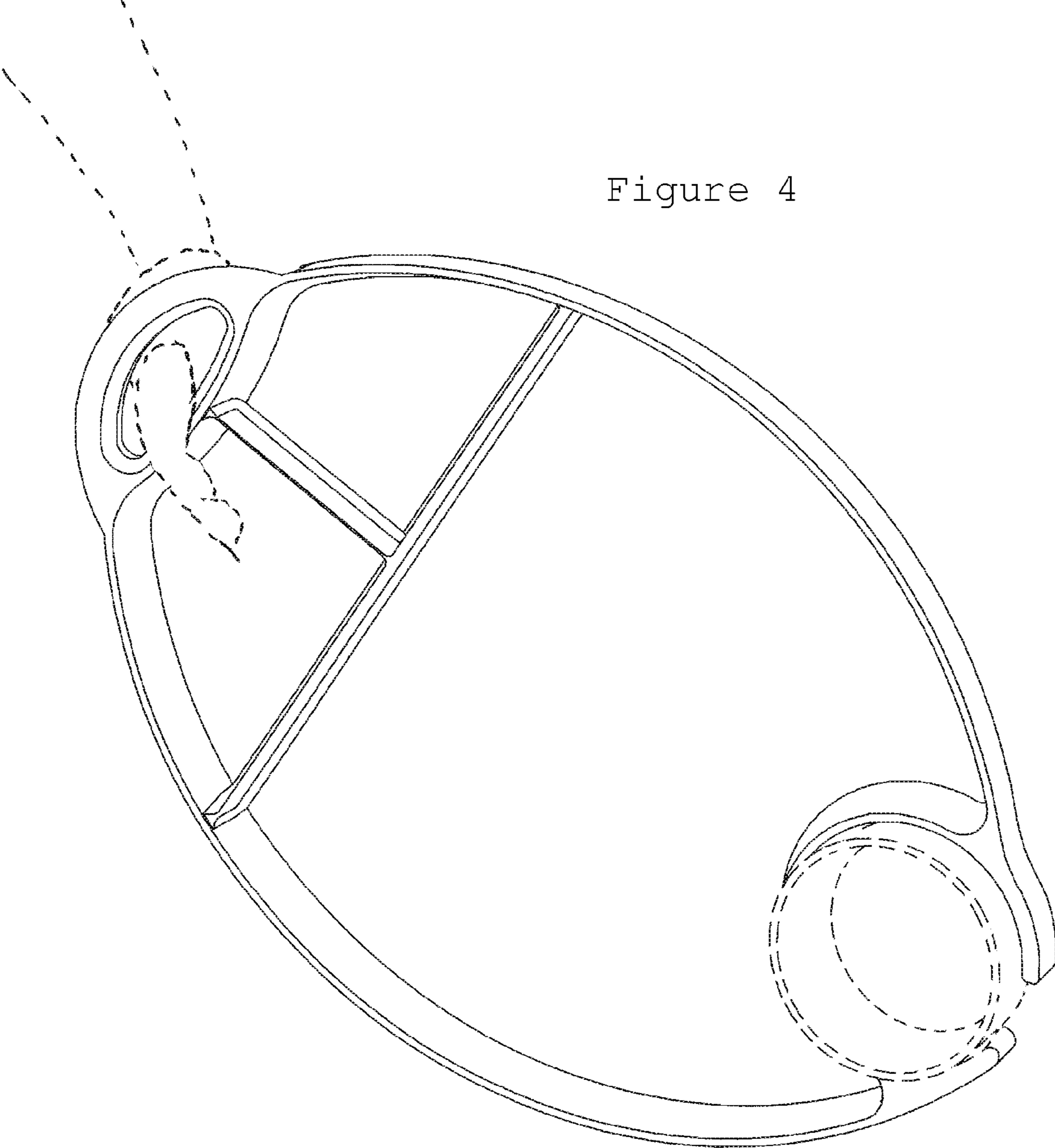


Figure 4



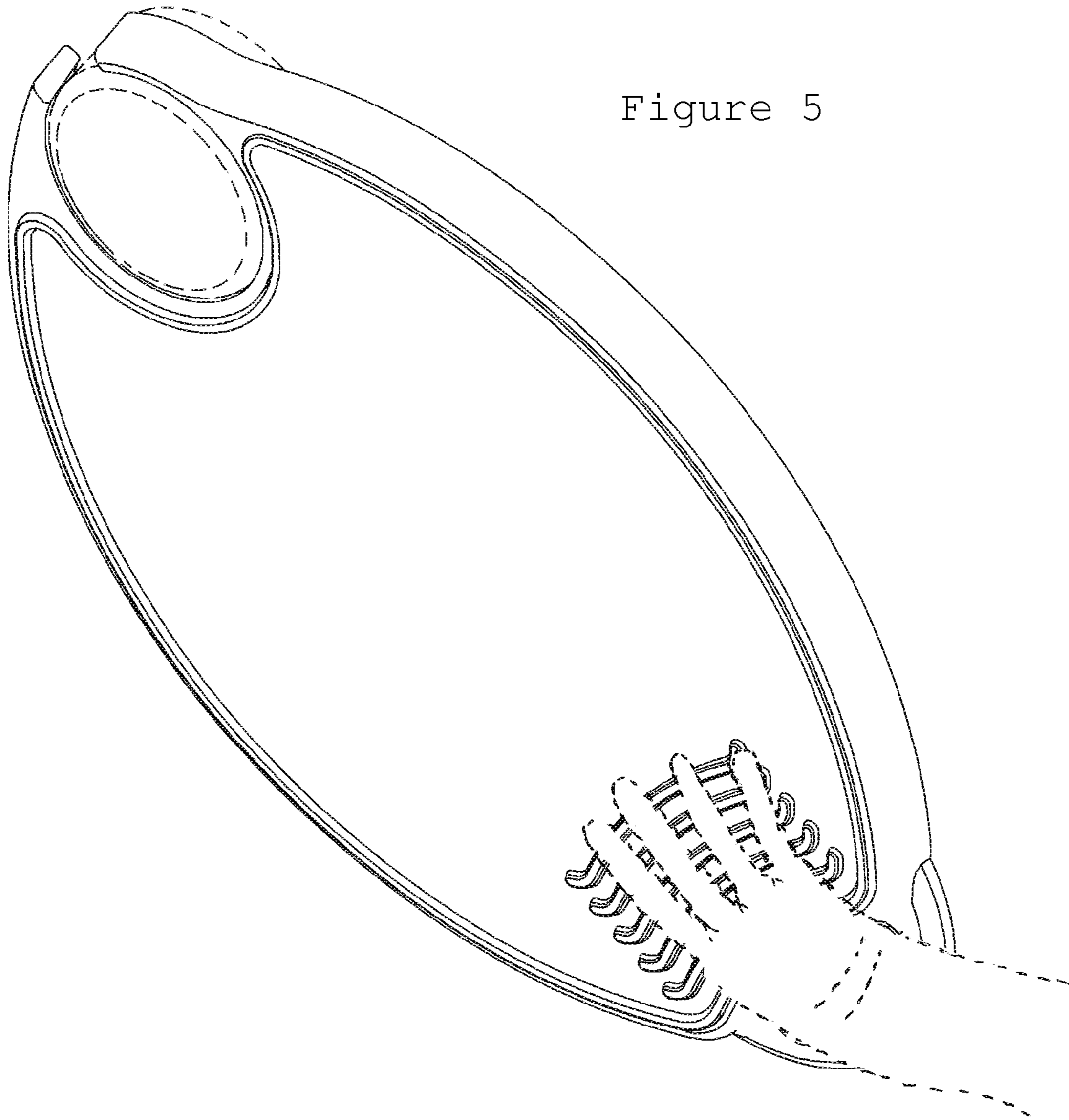


Figure 5

Figure 6

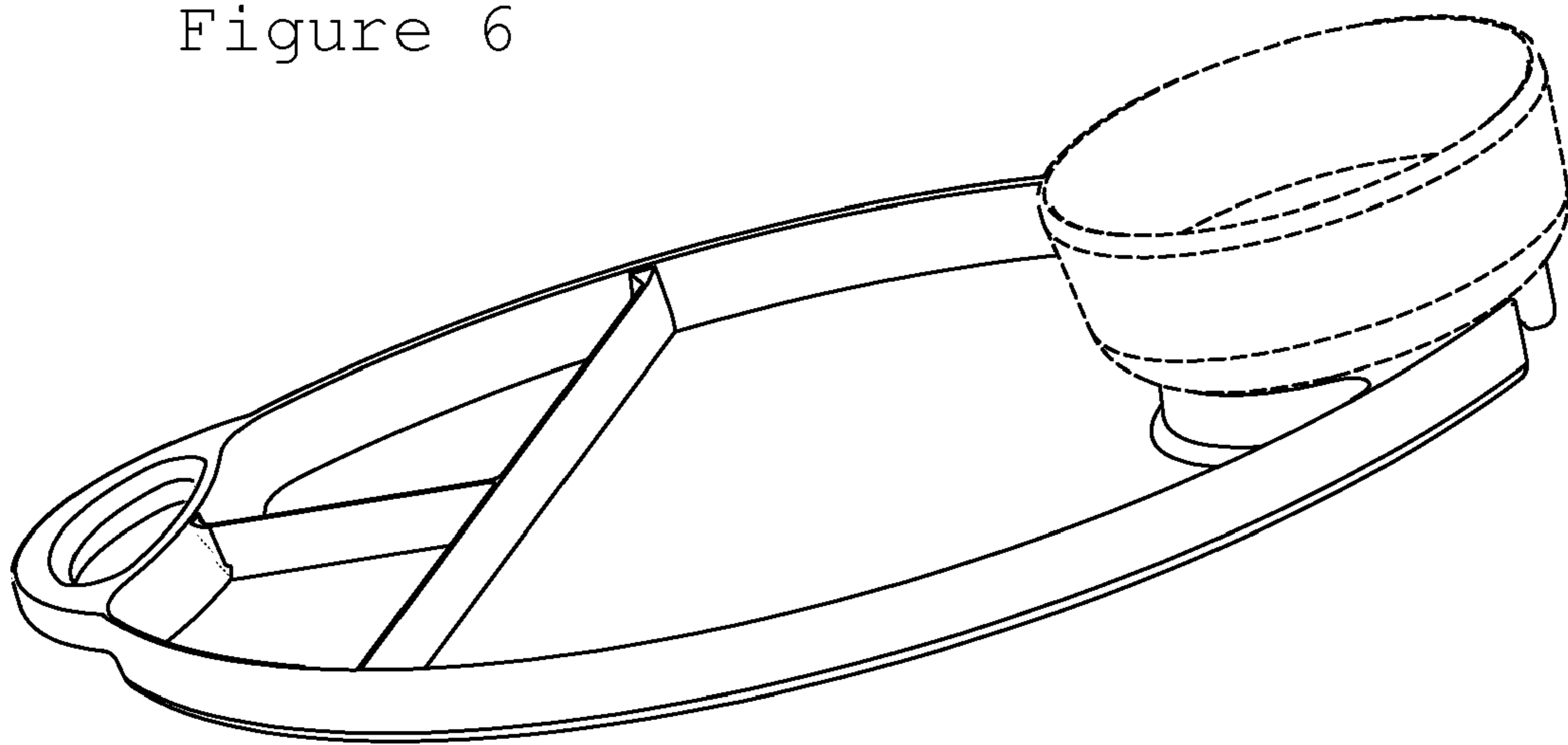


Figure 7

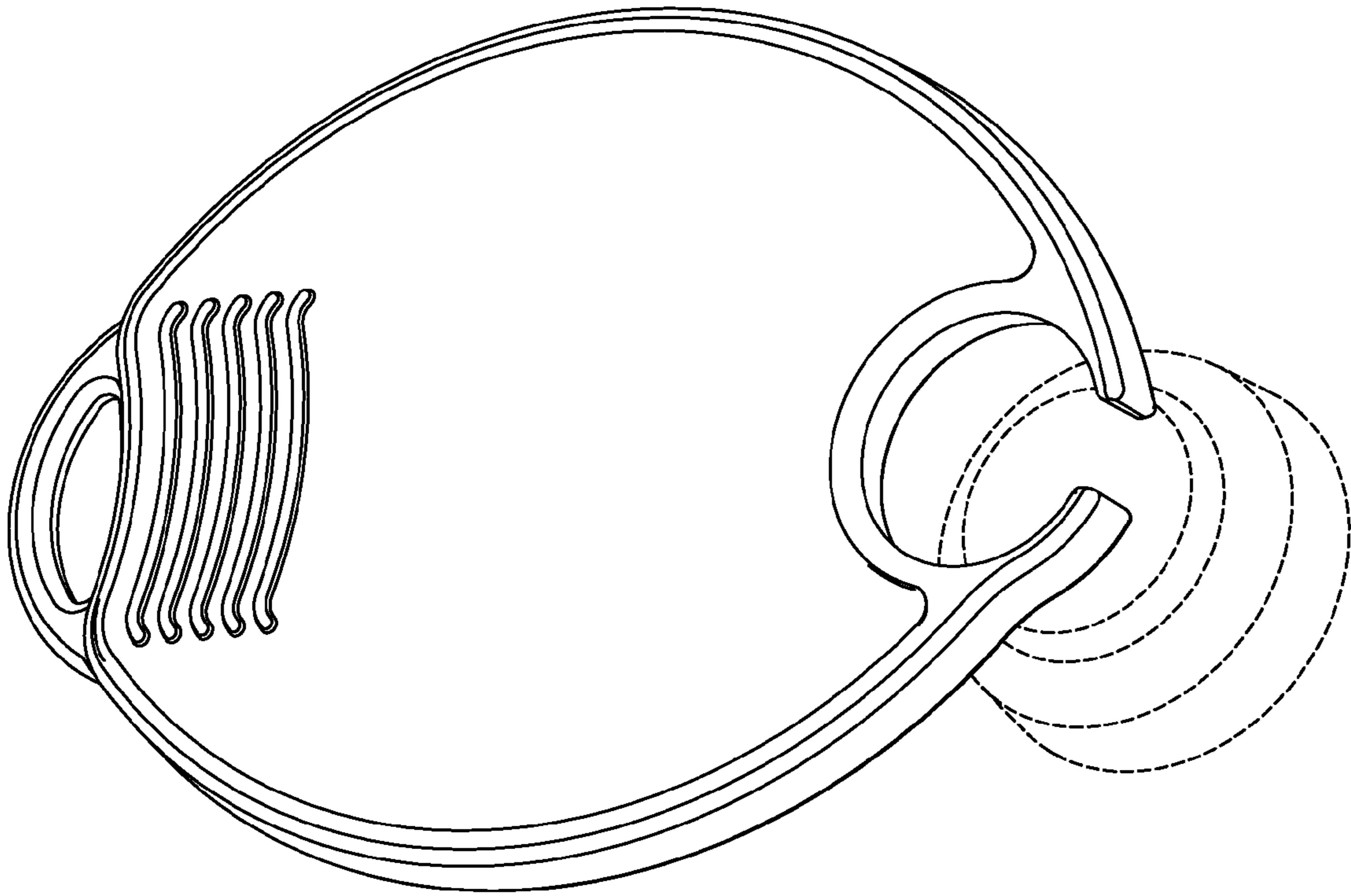
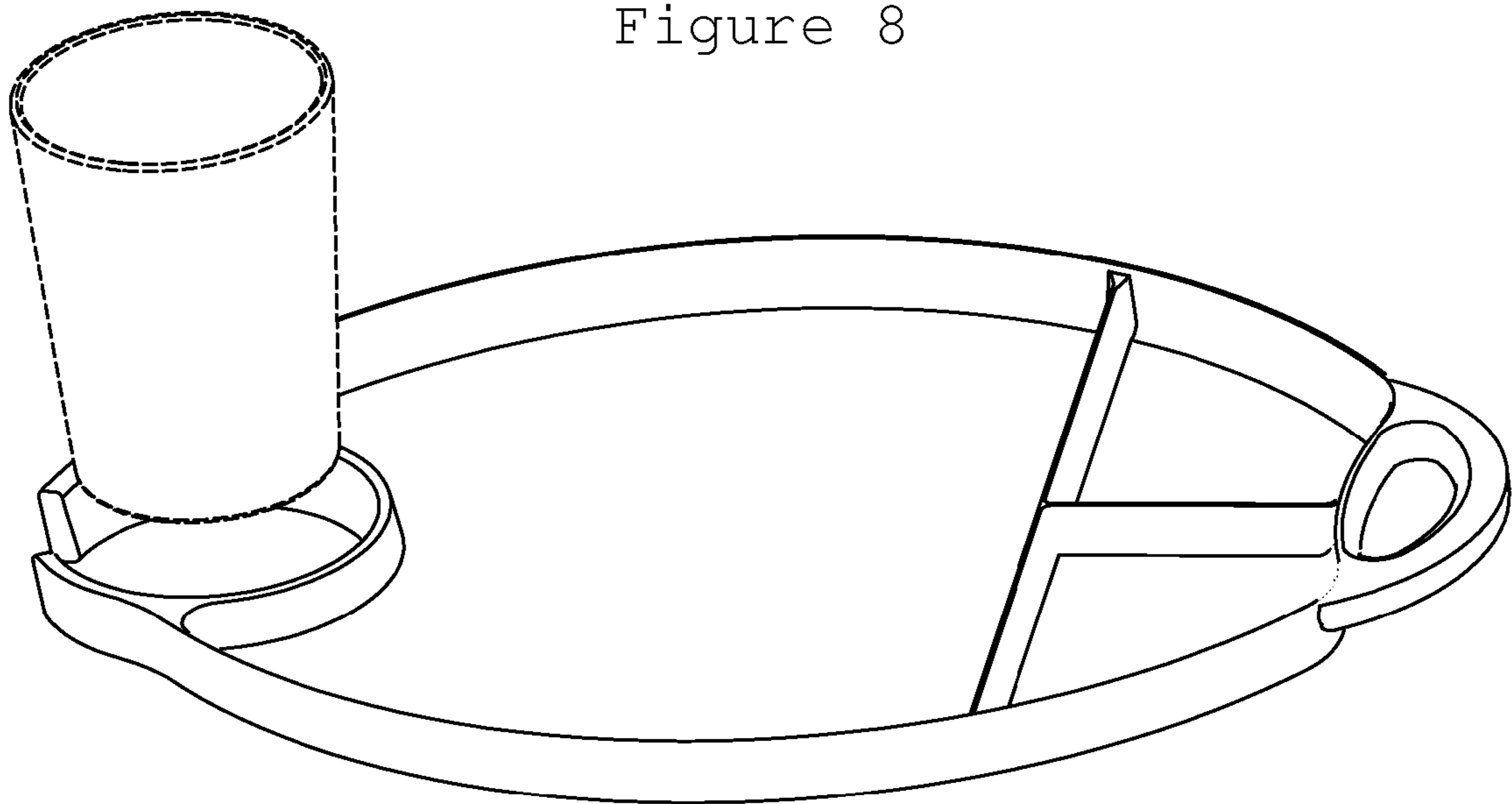




Figure 8



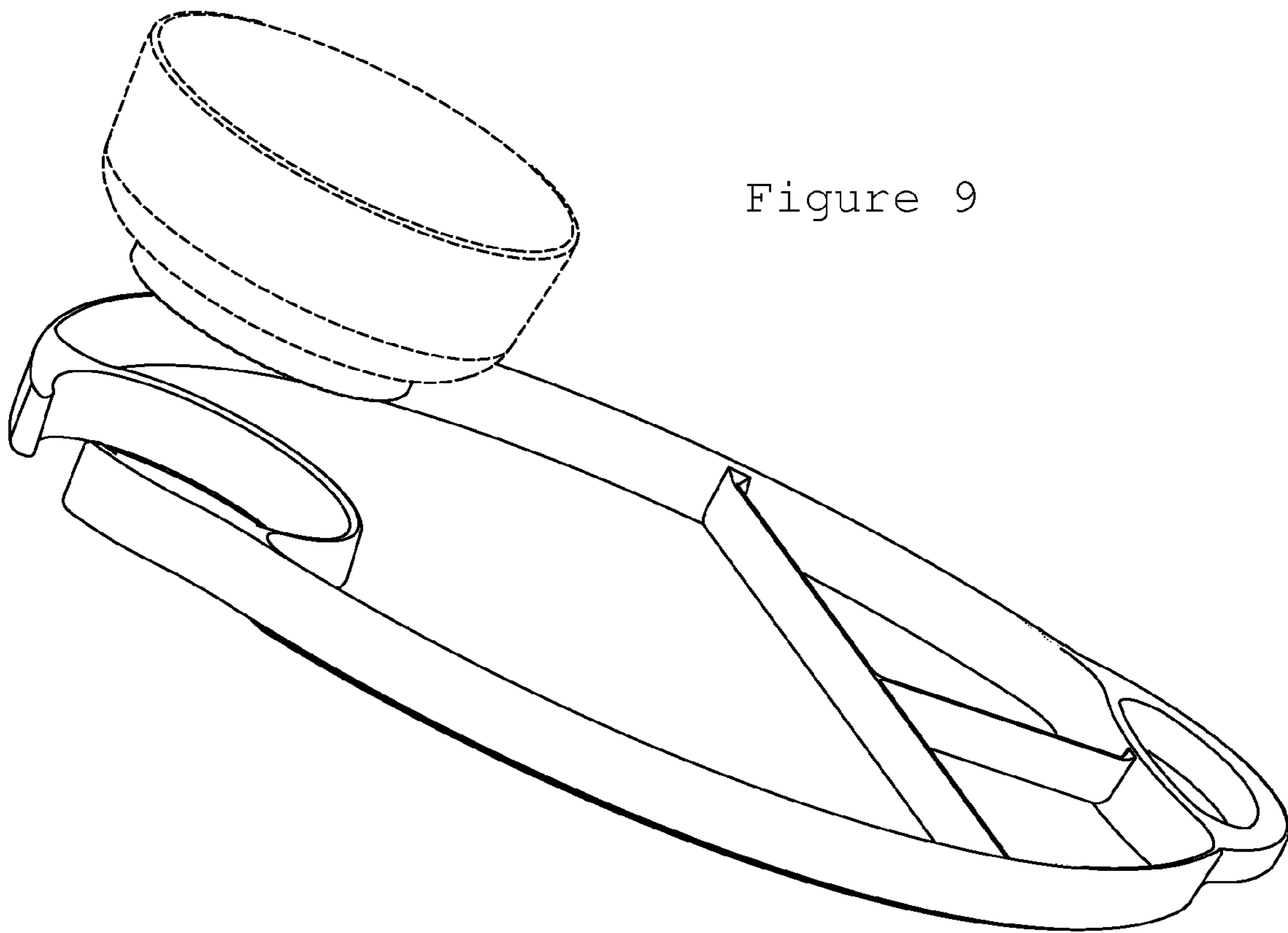


Figure 9