



US00D595091S

(12) **United States Design Patent**
Poindexter et al.

(10) **Patent No.:** **US D595,091 S**
(45) **Date of Patent:** **** Jun. 30, 2009**

(54) **MUG**

(75) Inventors: **Michael Poindexter**, New York, NY
(US); **Eric Watts**, New York, NY (US)

(73) Assignee: **Punch Products USA, Inc.**, Rahway, NJ
(US)

(**) Term: **14 Years**

(21) Appl. No.: **29/326,652**

(22) Filed: **Oct. 22, 2008**

(51) **LOC (9) Cl.** **07-01**

(52) **U.S. Cl.** **D7/536; D7/532**

(58) **Field of Classification Search** D7/507-515,
D7/523, 531, 532, 536, 533; 220/703, 592.16,
220/592.17, 707; 62/457.3

See application file for complete search history.

(56) **References Cited**

U.S. PATENT DOCUMENTS

D96,731 S *	9/1935	Dougherty	D7/532
D98,420 S *	2/1936	Deskey	D7/523
D105,430 S *	7/1937	Boehm	D7/532
D105,943 S *	9/1937	Fuerst	D7/523
2,782,614 A *	2/1957	Currie	220/718
D290,324 S *	6/1987	Ritman	D7/536

4,852,757 A *	8/1989	Gold	220/4.03
D310,768 S *	9/1990	Levine	D7/543
D330,484 S *	10/1992	Ross	D7/511
D461,683 S *	8/2002	Bodum	D7/507
D509,707 S *	9/2005	Tien	D7/510
7,040,218 B1 *	5/2006	Biolchini, Jr.	99/297
D553,442 S *	10/2007	Bodum	D7/536
D570,674 S *	6/2008	Boylan et al.	D8/395
D573,406 S *	7/2008	Thurmond, Jr.	D7/532

* cited by examiner

Primary Examiner—Marianne Pandozzi

(74) *Attorney, Agent, or Firm*—Baker Botts L.L.P.

(57) **CLAIM**

The ornamental design for a mug, as shown and described.

DESCRIPTION

FIG. 1 is a perspective view of a mug.

FIG. 2 is a front view of the mug of FIG. 1.

FIG. 3 is a rear view of the mug of FIG. 1.

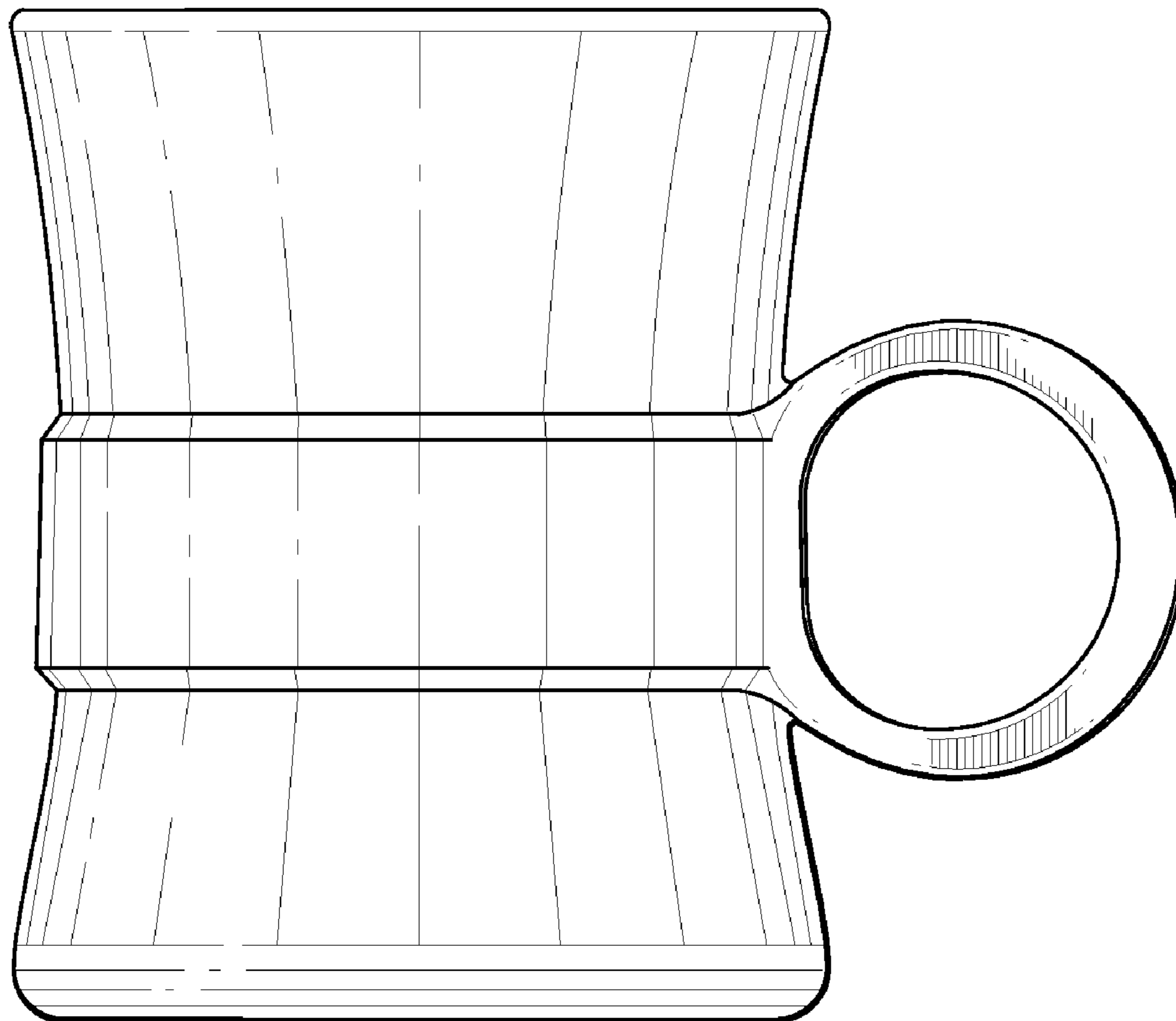
FIG. 4 is a right side view of the mug of FIG. 1.

FIG. 5 is a left side view of the mug of FIG. 1.

FIG. 6 is a top view of the mug of FIG. 1; and,

FIG. 7 is a bottom view of the mug of FIG. 1.

1 Claim, 6 Drawing Sheets



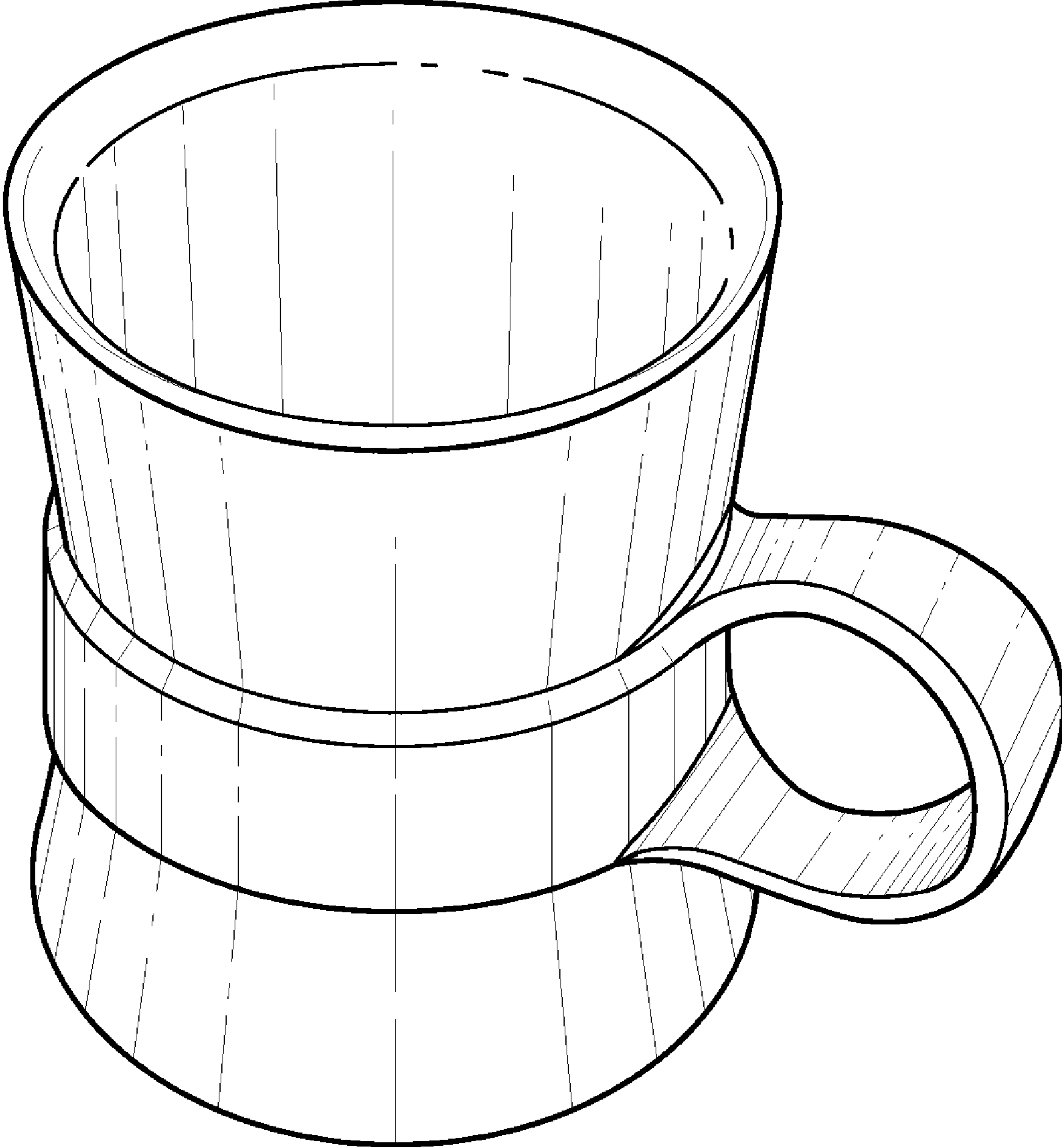


FIG. 1

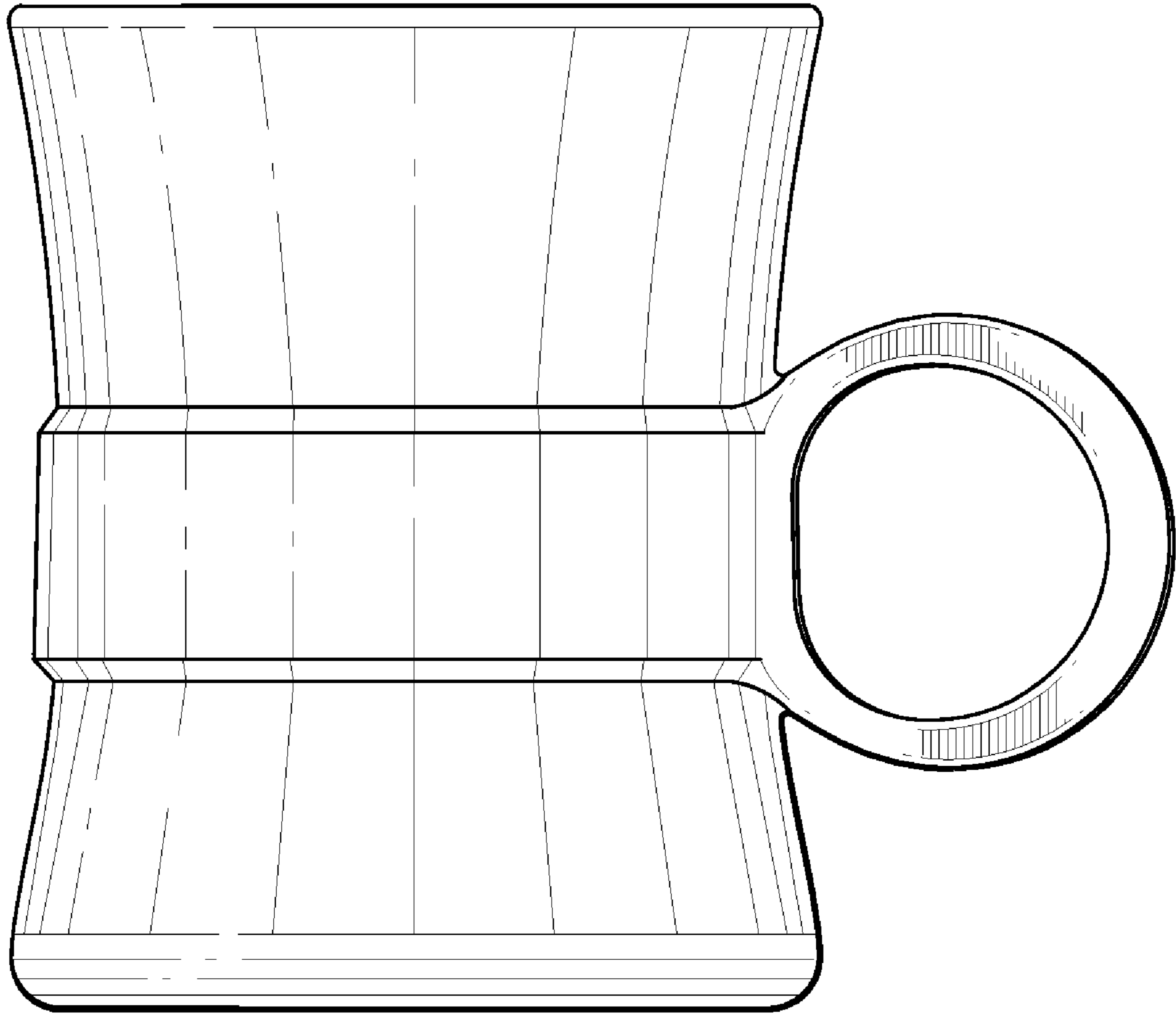


FIG. 2

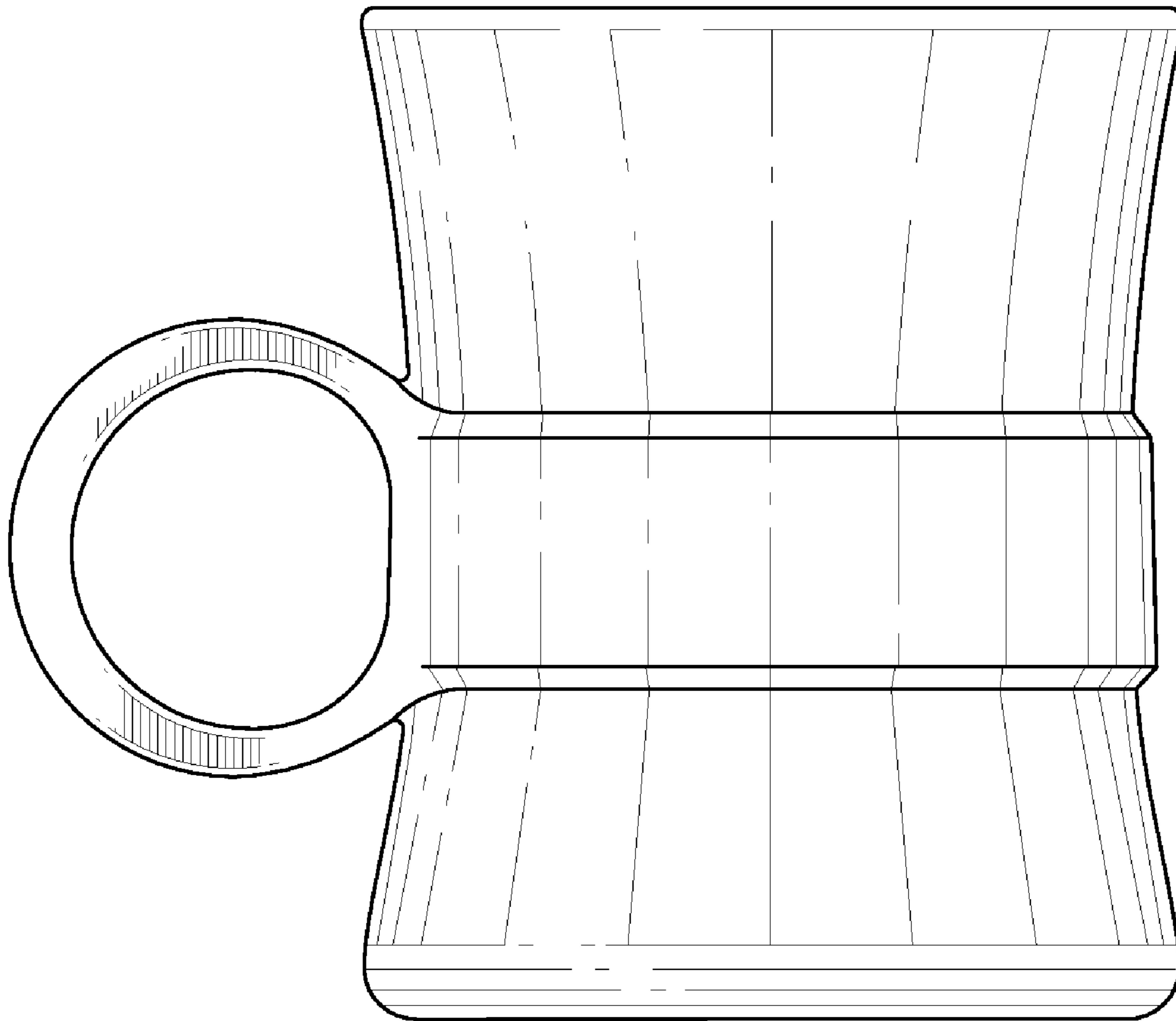


FIG. 3

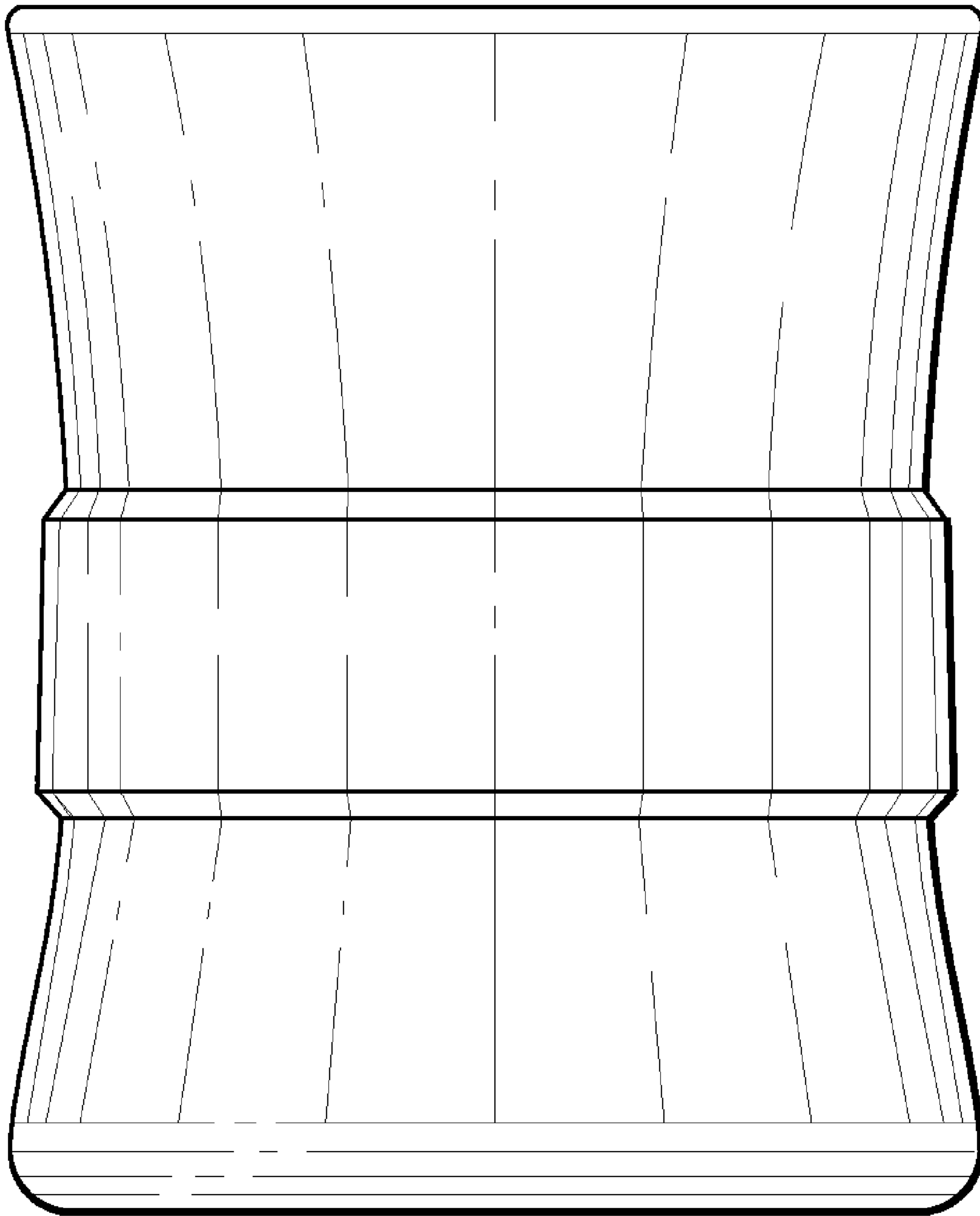


FIG. 4

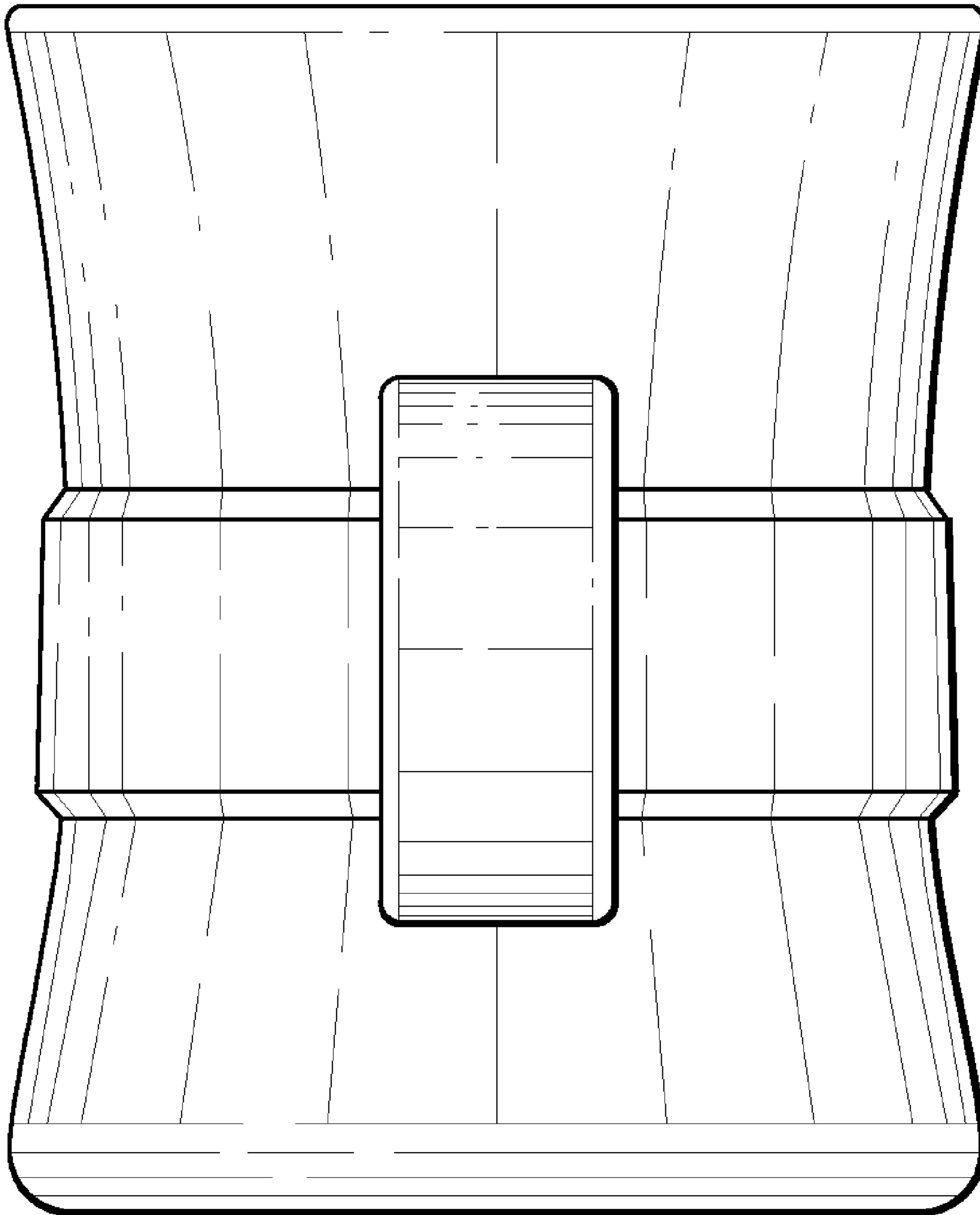


FIG. 5

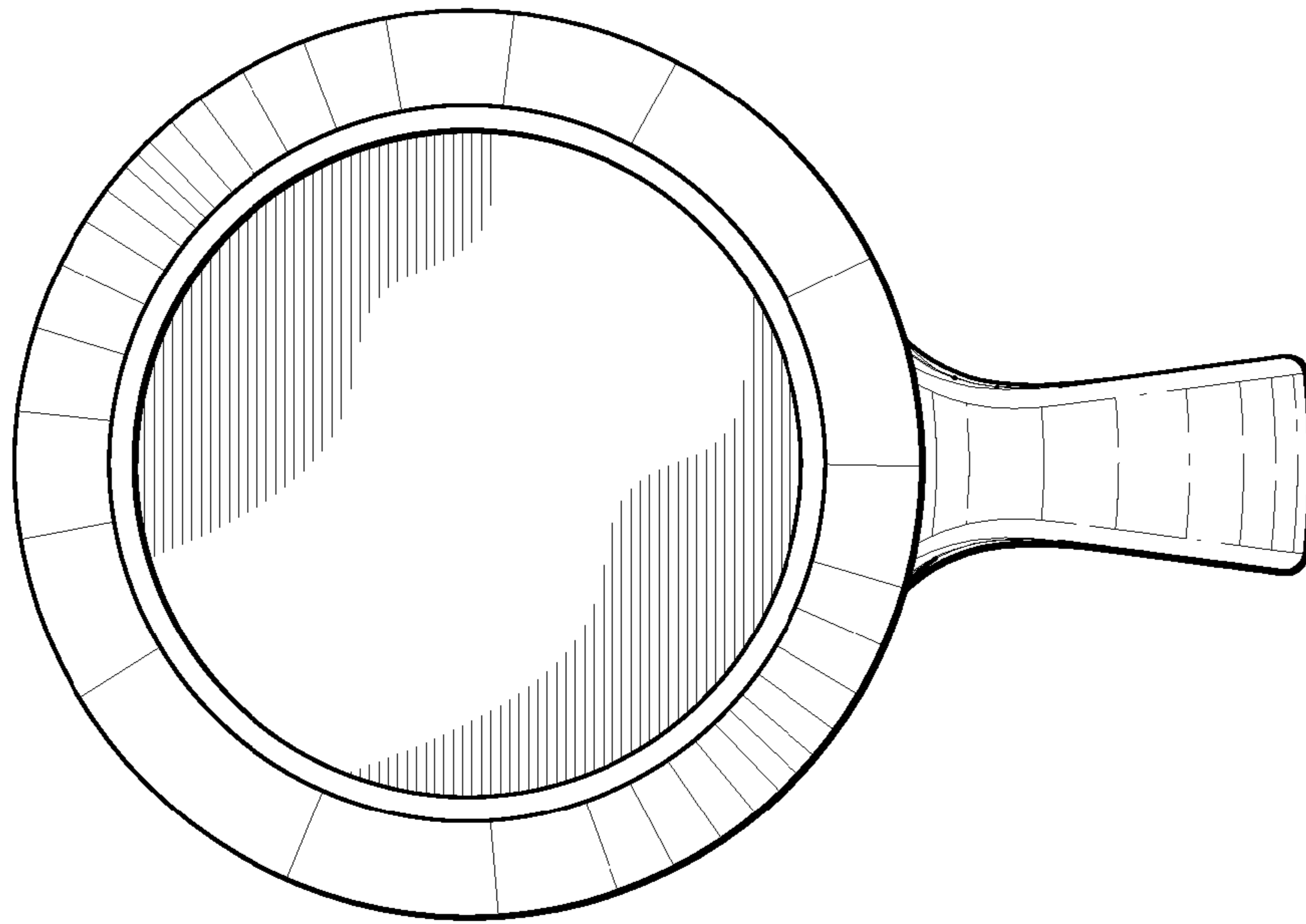


FIG. 6

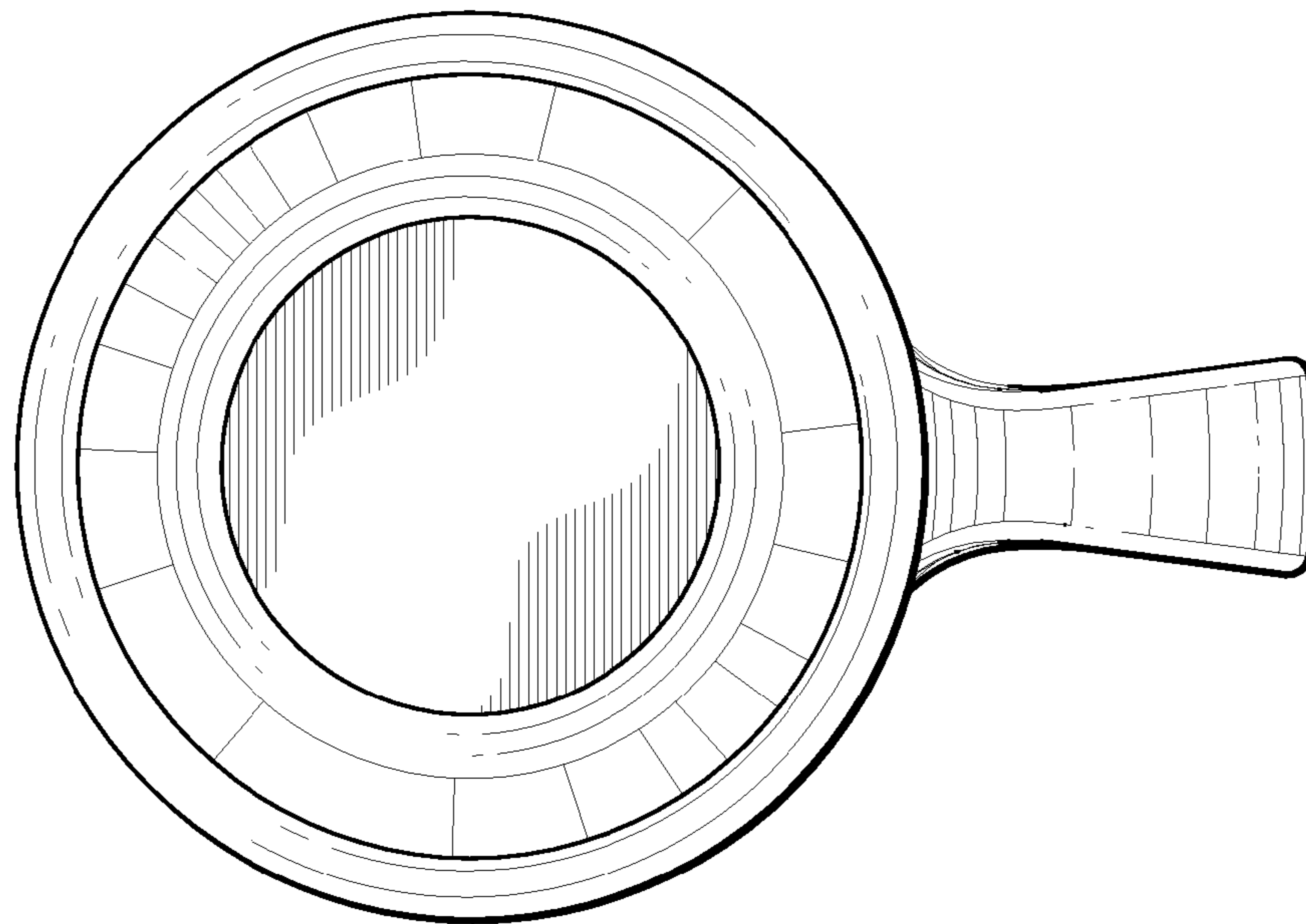


FIG. 7