



US00D595088S

(12) **United States Design Patent**
Watts

(10) **Patent No.:** **US D595,088 S**

(45) **Date of Patent:** **** Jun. 30, 2009**

(54) **LAZY SUSAN**

(76) **Inventor:** **John A. Watts**, P.O. Box 86, South Orleans, MA (US) 02662

(**) **Term:** **14 Years**

(21) **Appl. No.:** **29/306,885**

(22) **Filed:** **Apr. 17, 2008**

(51) **LOC (9) Cl.** **07-01**

(52) **U.S. Cl.** **D7/501; D7/584**

(58) **Field of Classification Search** D7/505, D7/501, 500, 543, 548, 552.1, 553.6, 555, D7/566, 549, 624.1, 554.2, 584, 645, 648, D7/552, 388, 409; D15/138, 199; D20/21; D27/109; 206/216, 541, 553; 220/574.1, 220/574, 23.83, 735; 229/407, 401; 294/172
See application file for complete search history.

(56) **References Cited**

U.S. PATENT DOCUMENTS

- D27,858 S * 11/1897 Dunlop D7/584
- D46,005 S * 6/1914 Palmer D7/624.1
- D238,039 S * 12/1975 Juhlin D7/584
- D272,216 S * 1/1984 Daenen et al. D7/584
- D286,130 S * 10/1986 Bowen et al. D7/402

- D386,792 S * 11/1997 Miller D20/21
- D448,622 S * 10/2001 Horvat D7/555
- D448,964 S * 10/2001 Allan D7/359
- D453,263 S * 2/2002 Wogan D3/10
- D572,733 S * 7/2008 Ota et al. D15/138

* cited by examiner

Primary Examiner—Robert M Spear
Assistant Examiner—Cynthia Underwood

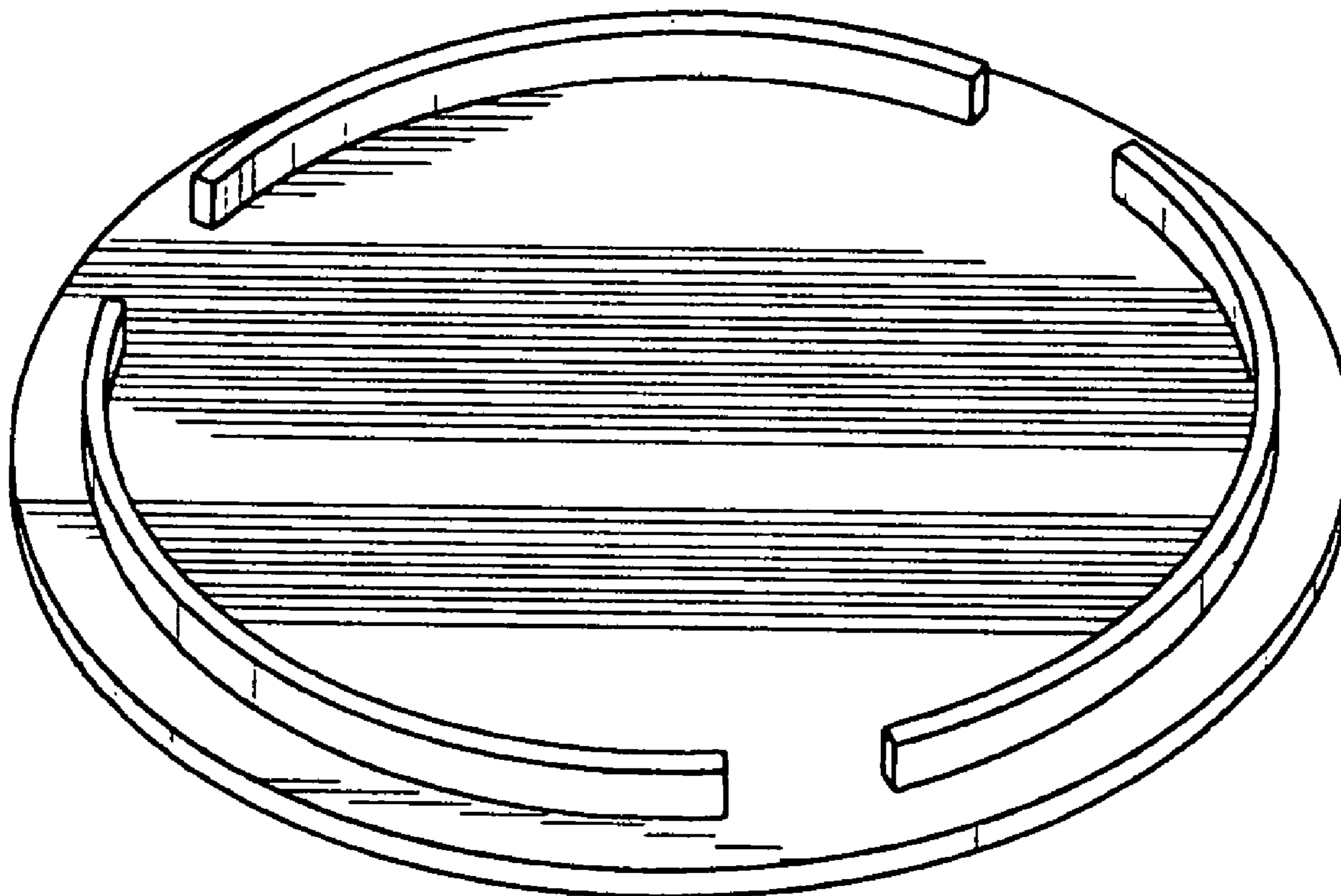
(57) **CLAIM**

The ornamental design for a lazy susan, as shown and described.

DESCRIPTION

- FIG. 1 is a perspective view of a lazy susan, showing my new design;
- FIG. 2 is a front elevational view of the invention;
- FIG. 3 is a rear elevational view of the invention;
- FIG. 4 is a left-side elevational view of the invention, the right-side elevational view being a mirror image thereof;
- FIG. 5 is a top plan view of the invention; and,
- FIG. 6 is a bottom plan view of the invention.

1 Claim, 2 Drawing Sheets



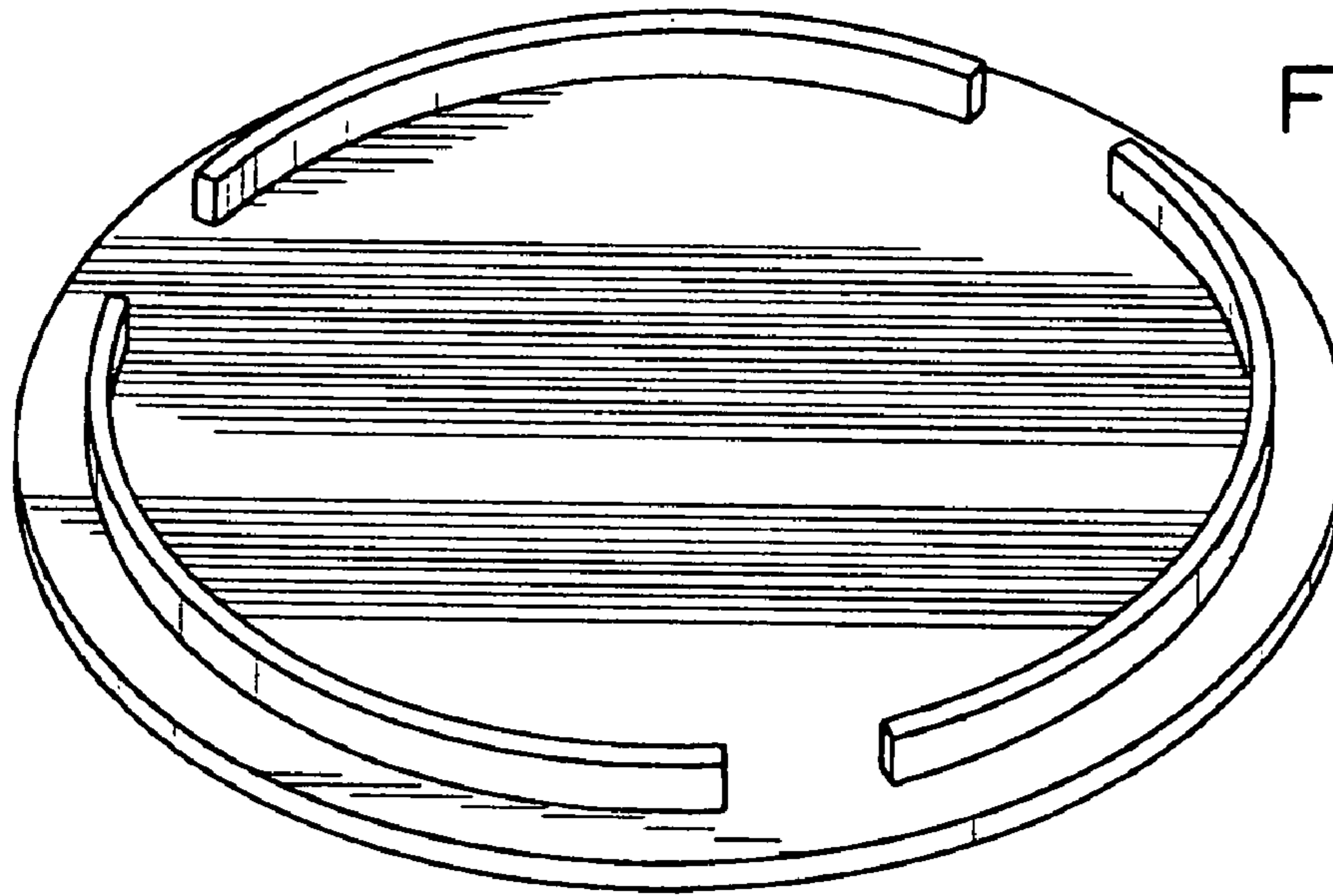


FIG. 1

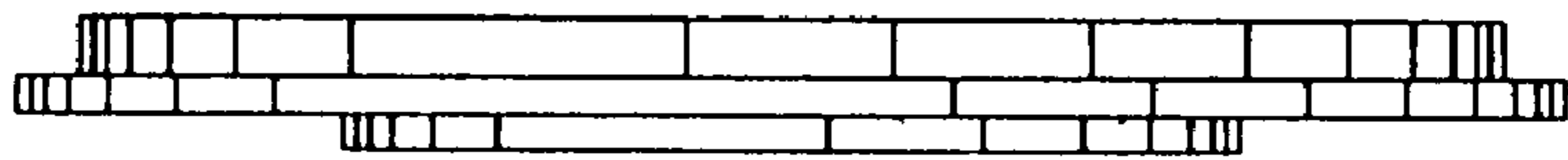


FIG. 2

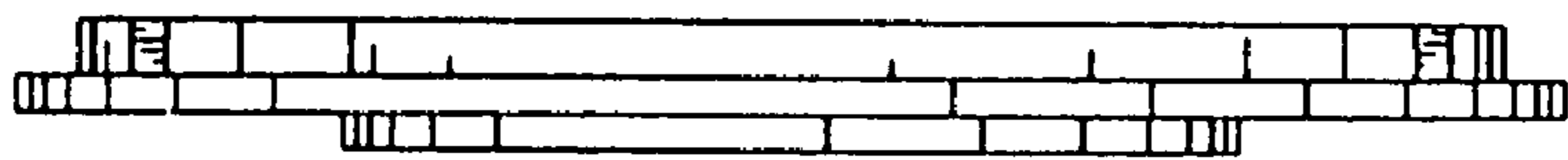


FIG. 3

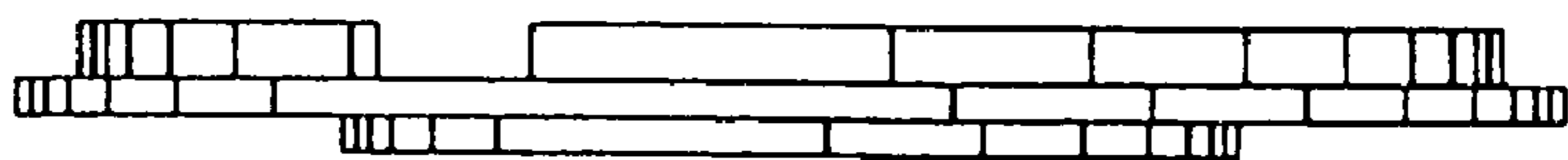


FIG. 4

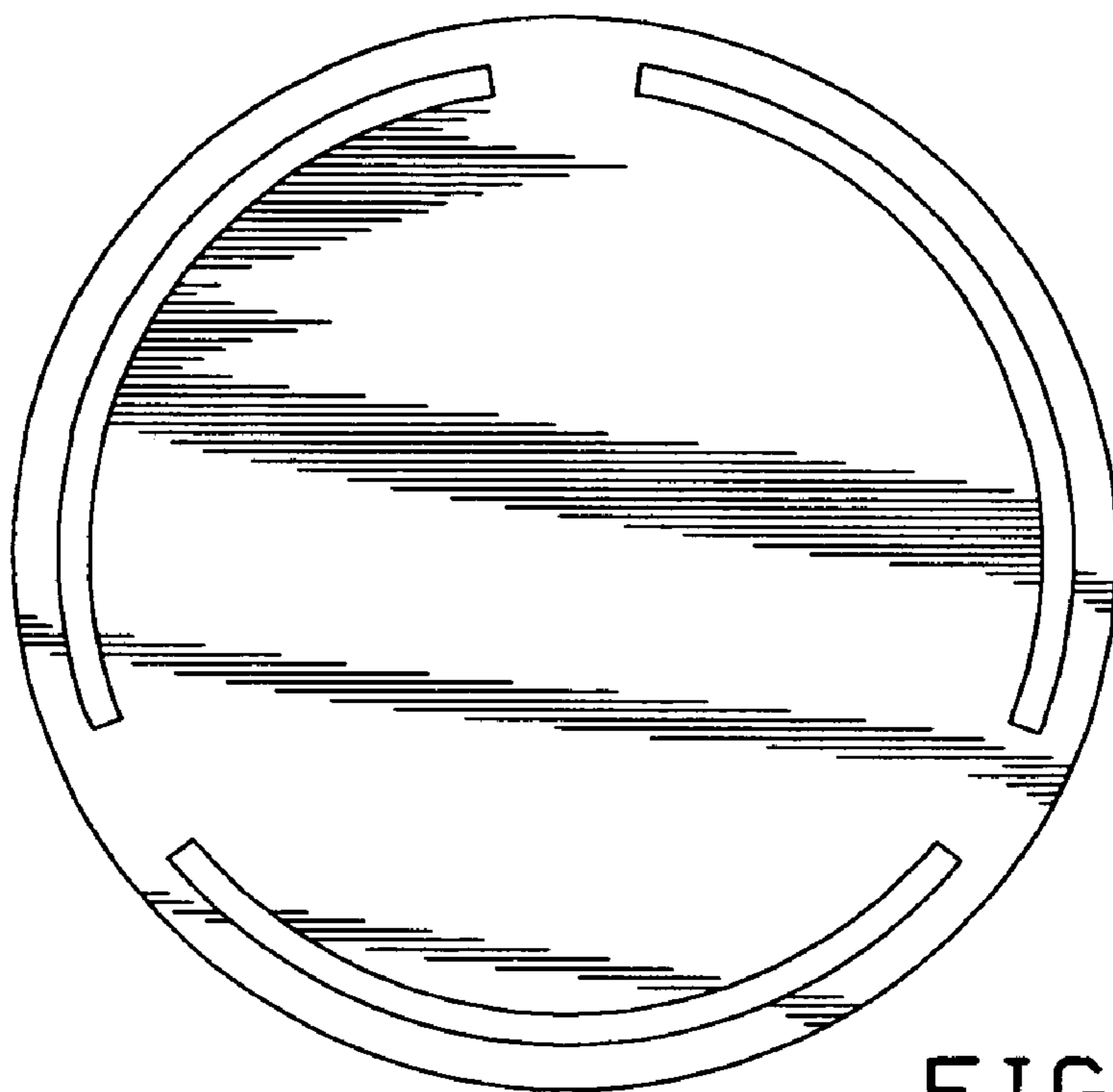


FIG. 5

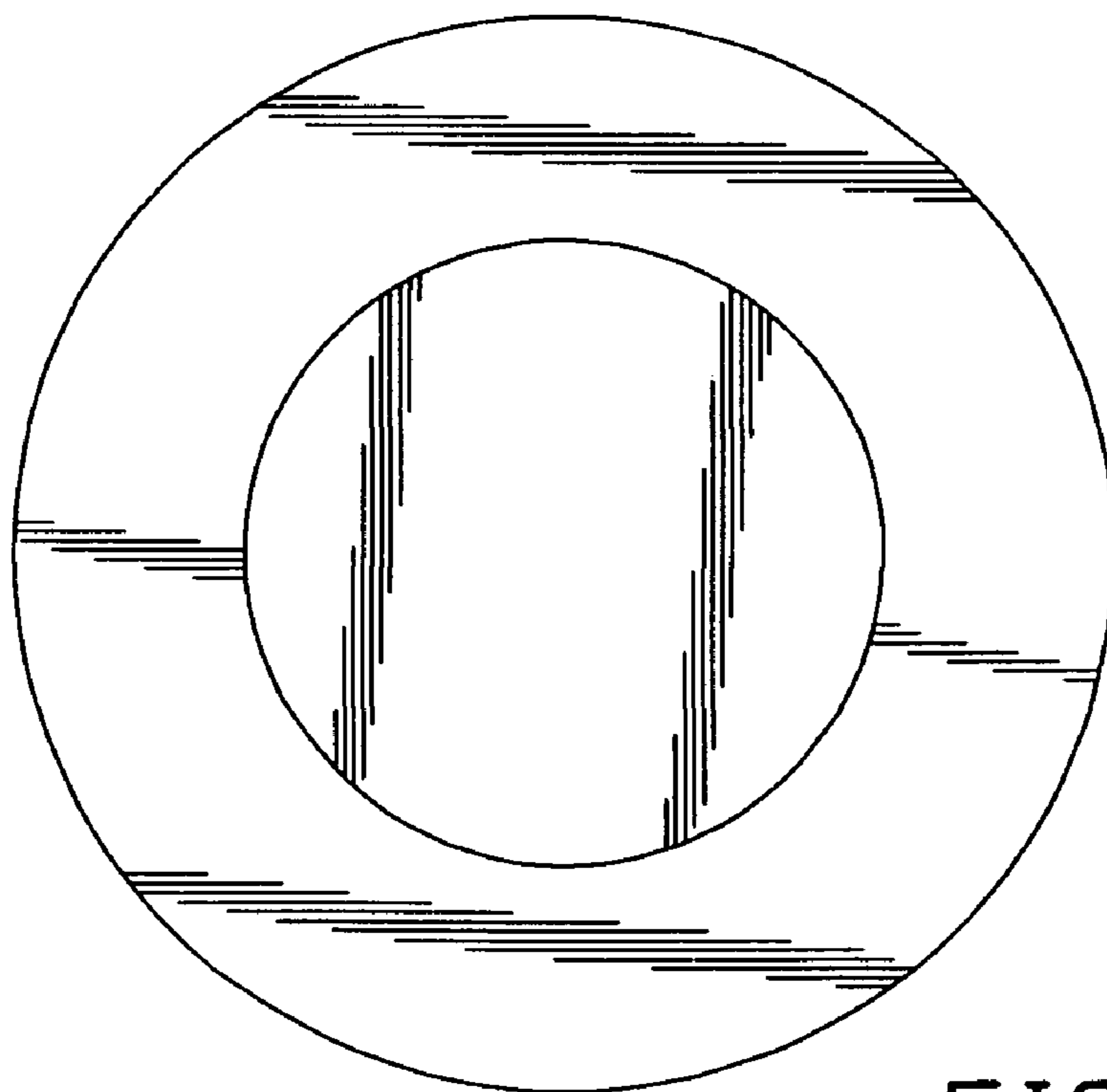


FIG. 6