



US00D595087S

(12) **United States Design Patent**
Metaxatos et al.

(10) **Patent No.:** **US D595,087 S**
(45) **Date of Patent:** **** Jun. 30, 2009**

(54) **ENCLOSURE FOR A BLENDER**

(75) Inventors: **Paul K. Metaxatos**, Swampscott, MA (US); **Steffen F. Koury**, Everett, MA (US); **Kurtis R. MacLaurin**, Arlington, MA (US); **David J. Kolar**, Stow, OH (US); **Eugene J. Kozlowski**, Medina, OH (US); **Robert M. Ulanski**, Broadview Heights, OH (US); **Mark F. Fleming**, Strongsville, OH (US); **Stephen P. Rukavina**, Rocky River, OH (US); **Anthony M. Ciepiel**, Hudson, OH (US)

(73) Assignee: **Vita-Mix Corporation**, Cleveland, OH (US)

(**) Term: **14 Years**

(21) Appl. No.: **29/312,881**

(22) Filed: **Nov. 19, 2008**

(51) **LOC (9) Cl.** **07-02**
(52) **U.S. Cl.** **D7/413; D7/412**
(58) **Field of Classification Search** D7/306-313, D7/317-318, 326, 356, 374-386, 392, 397-399, D7/412-415, 607, 665; D9/432; 99/348, 99/509-511; 241/274-278.2, 285.1-285.3, 241/291, 292.1; 312/138.1, 293.2, 326-327; 366/64-67, 98, 192, 197-211, 205-206, 366/241-254, 279-292, 341-347
See application file for complete search history.

(56) **References Cited**

U.S. PATENT DOCUMENTS

D237,503 S 11/1975 Langmack, Jr. et al. D26/5 R
D249,870 S 10/1978 Tillander D9/224
D295,012 S 4/1988 Gelber D7/378
4,822,175 A 4/1989 Barnard et al. 366/347
D301,824 S 6/1989 Machuron D7/384

4,883,144 A 11/1989 Haushalter et al. 181/198
D321,647 S 11/1991 Oldorf D9/432 X
5,533,797 A 7/1996 Gelber 312/138.1
D406,154 S 2/1999 Copland et al. D15/82
5,957,577 A 9/1999 Dickson et al. 366/197
D426,423 S 6/2000 Lee D7/384
D427,016 S 6/2000 Kindig et al. D7/412
D428,564 S 7/2000 Kao D7/374
D432,864 S 10/2000 Kindig et al. D7/412
D466,761 S 12/2002 Baerenrodt et al. D7/378
D471,059 S 3/2003 Chuang D7/374
6,571,908 B2 6/2003 Bohannon et al. 181/198
D491,014 S * 6/2004 Nakashima D7/374
D492,878 S * 7/2004 Nakato et al. D7/306
D517,860 S * 3/2006 Huang D7/374
D520,294 S * 5/2006 Fouquet D7/374
D526,845 S * 8/2006 Katz et al. D7/412
D528,364 S 9/2006 Kolar et al. D7/413

* cited by examiner

Primary Examiner—Caron Veynar

Assistant Examiner—Ricky Pham

(74) *Attorney, Agent, or Firm*—Renner, Kenner, Greive, Bobak, Taylor & Weber

(57) **CLAIM**

The ornamental design for a enclosure for a blender, as shown and described.

DESCRIPTION

FIG. 1 is a top, front, right side perspective view of an enclosure for a blender showing our new design;

FIG. 2 is a right side elevational view thereof, the left side being a mirror image of FIG. 2;

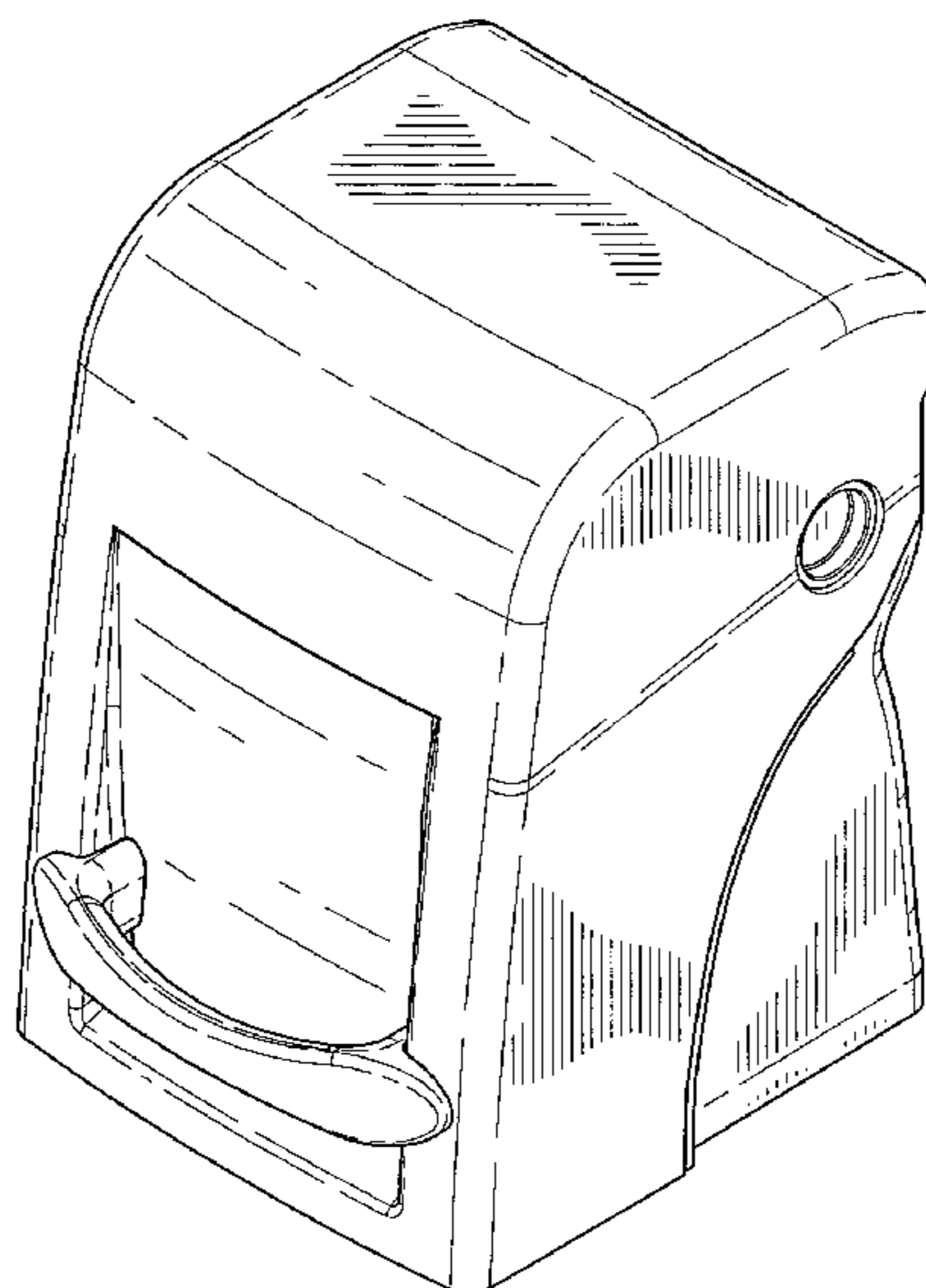
FIG. 3 is a front elevational view thereof;

FIG. 4 is a rear elevational view thereof;

FIG. 5 is a top plan view thereof; and,

FIG. 6 is a bottom plan view thereof.

1 Claim, 3 Drawing Sheets



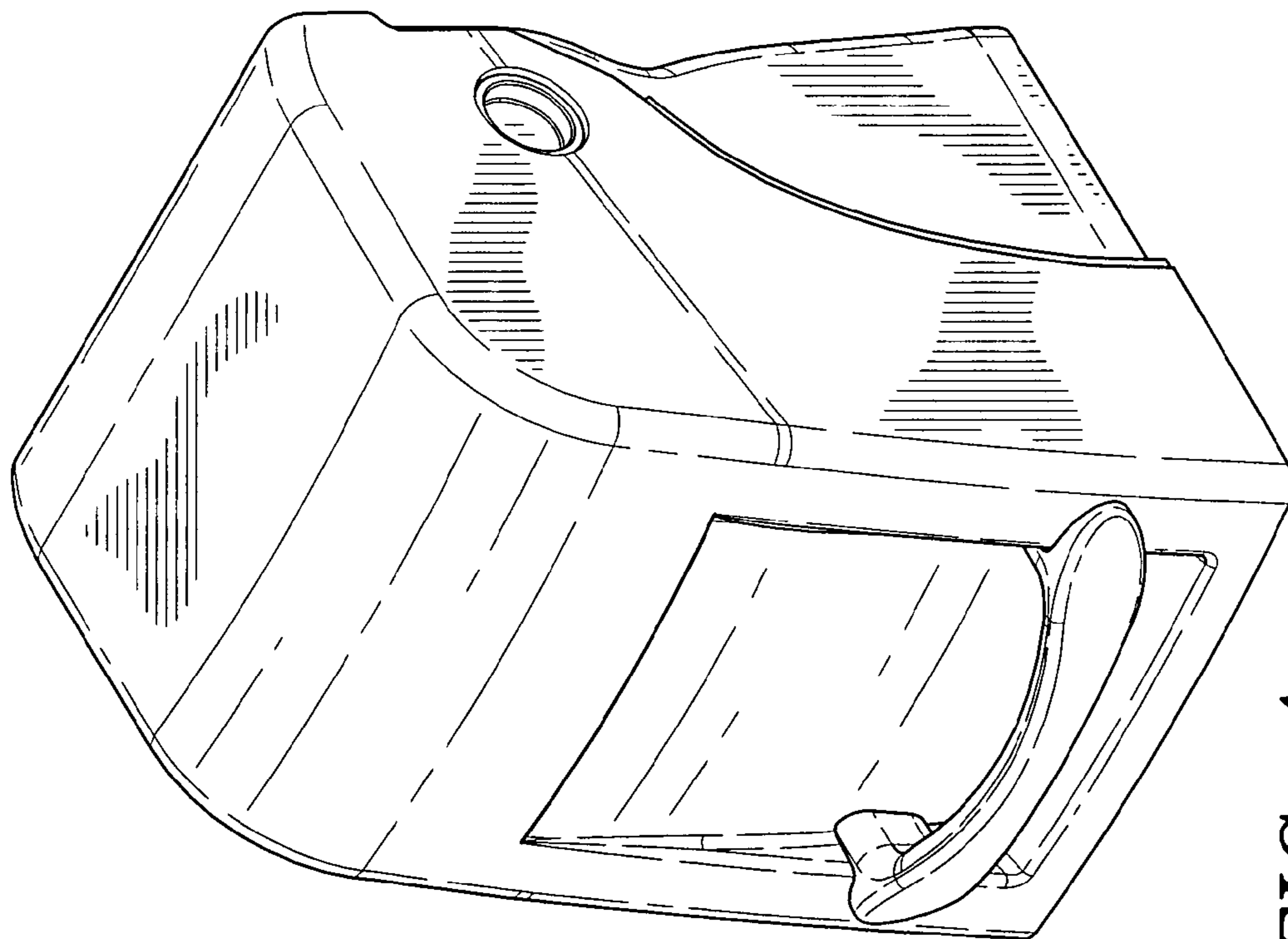


FIG-1

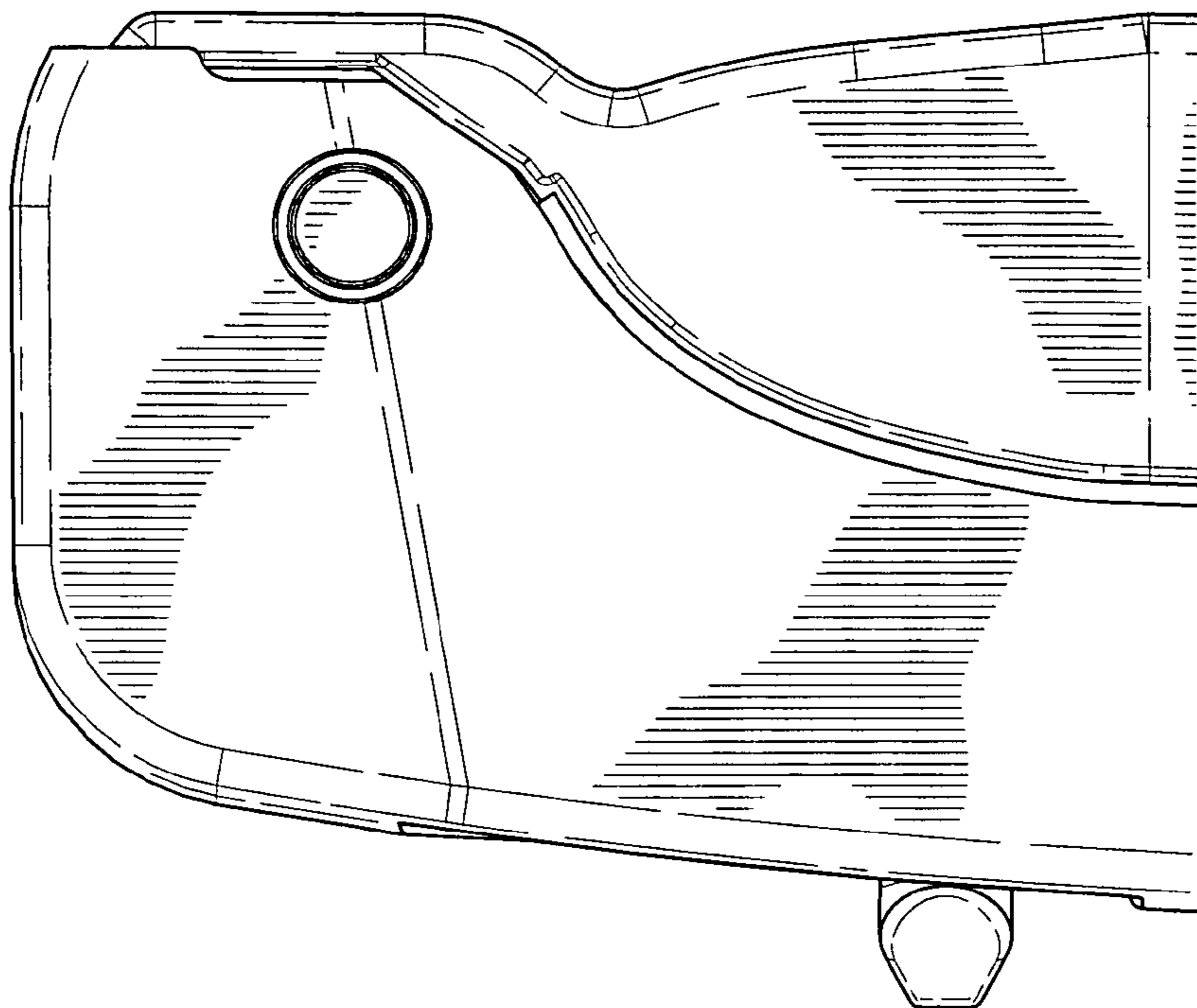


FIG-2

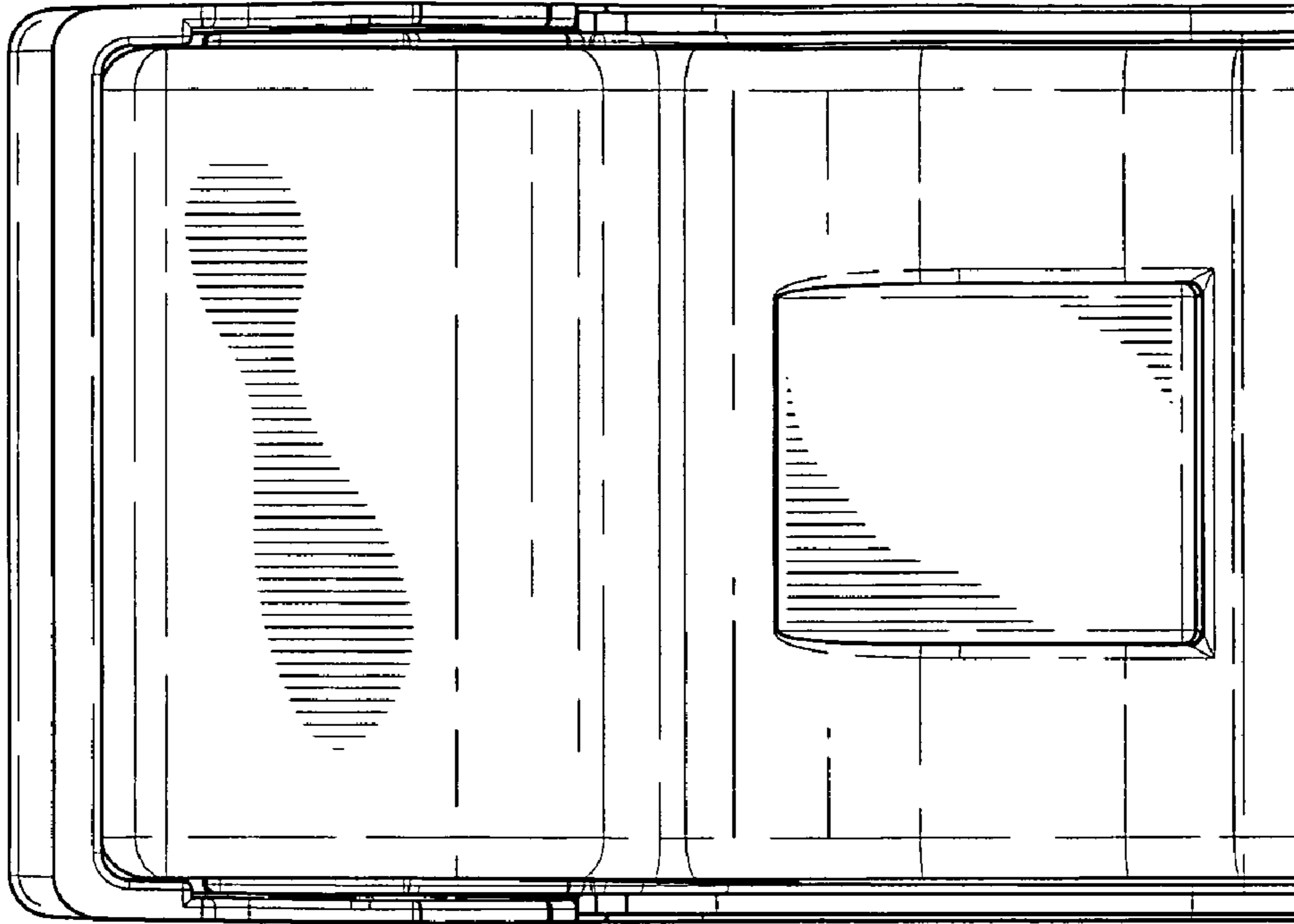


FIG-4

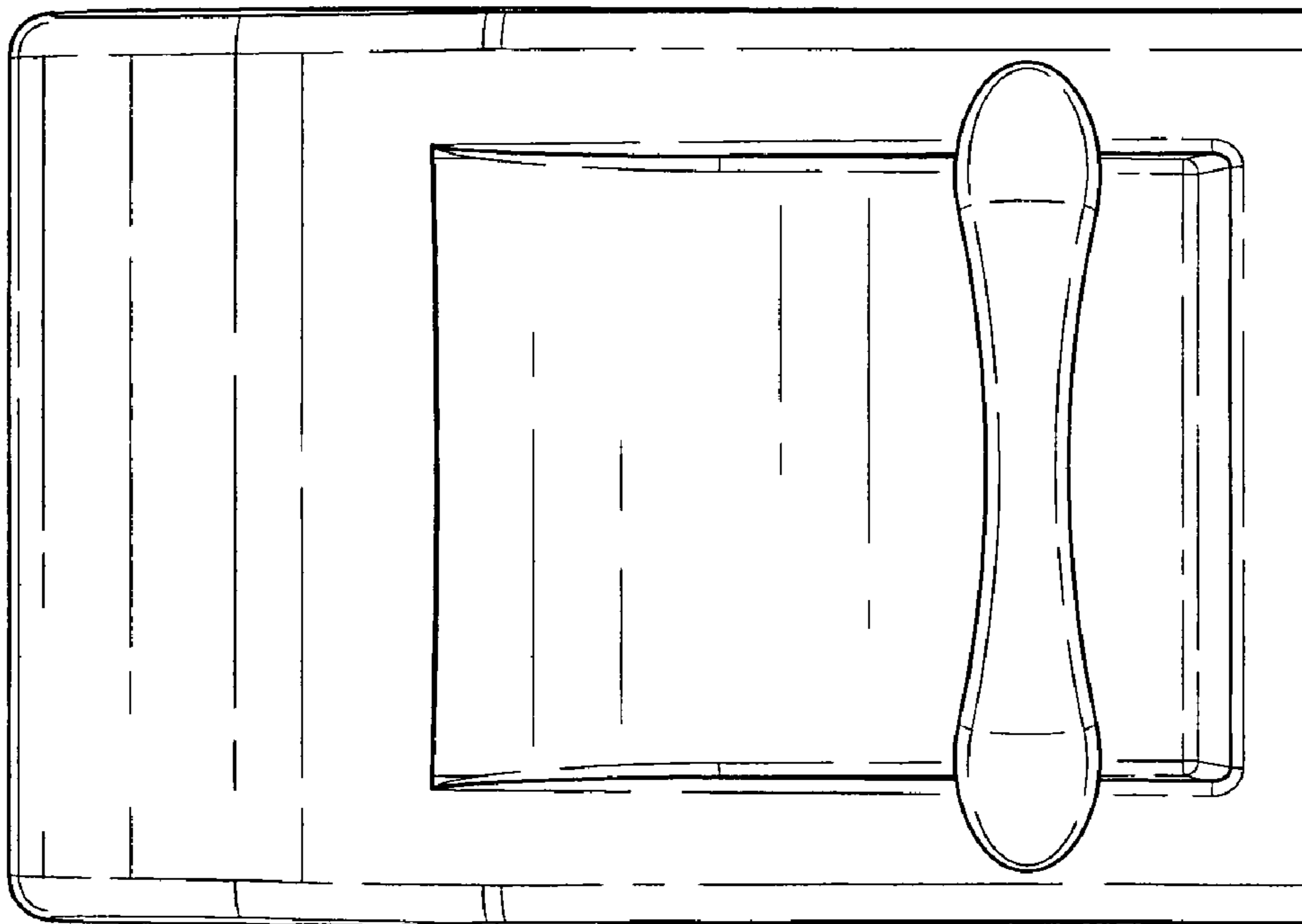


FIG-3

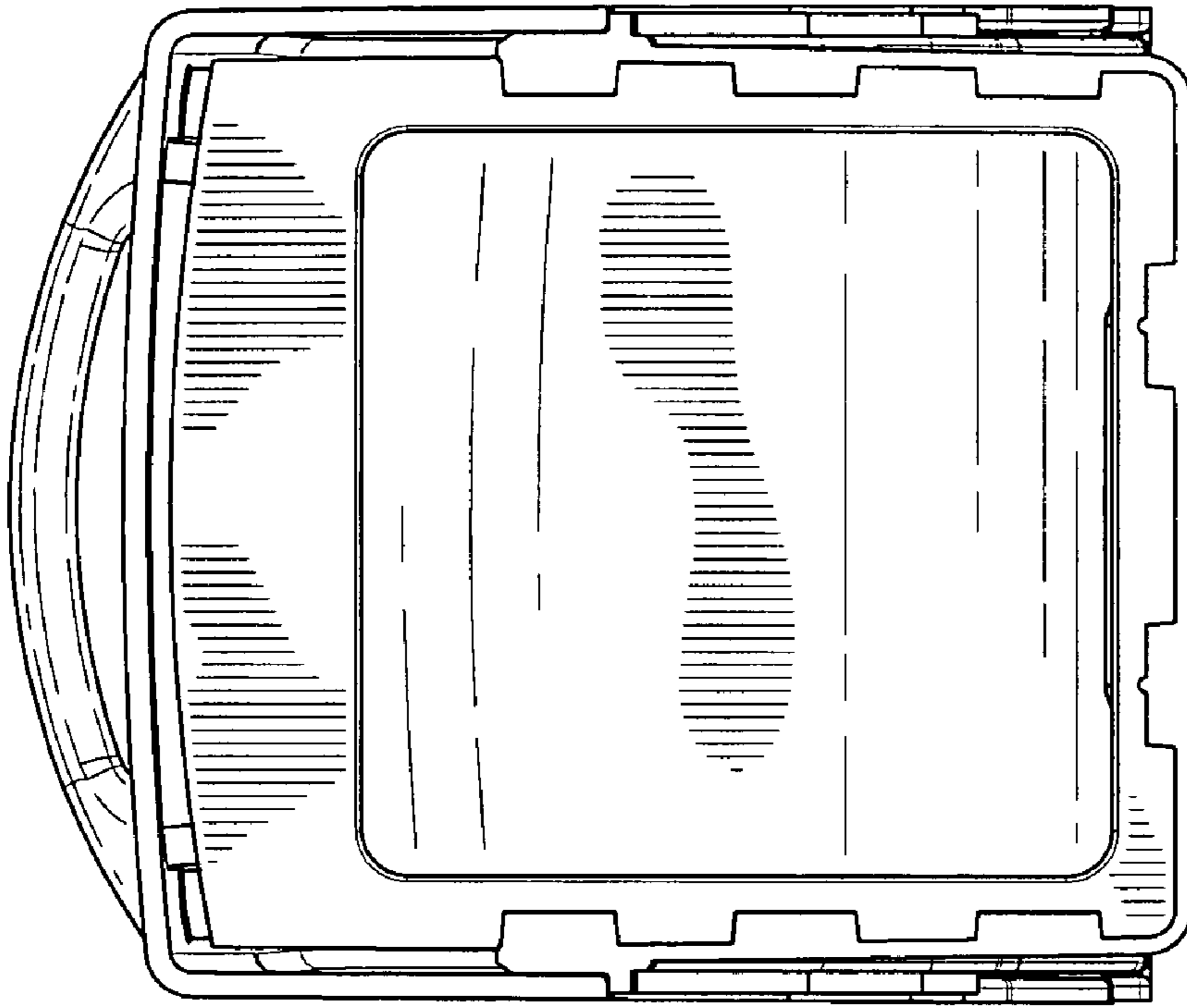


FIG-6

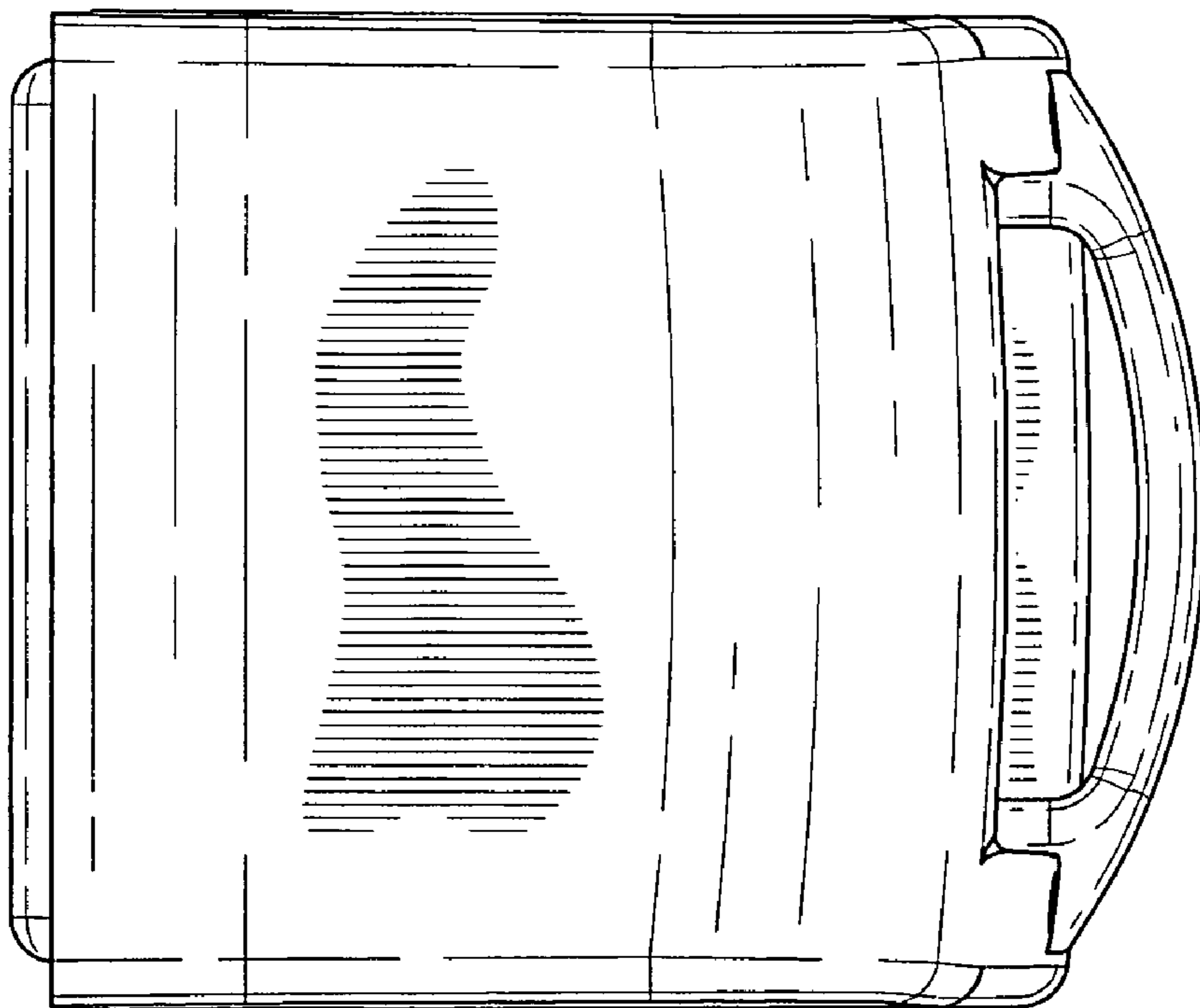


FIG-5