



US00D595086S

(12) **United States Design Patent**
Borovicka et al.

(10) **Patent No.:** **US D595,086 S**
(45) **Date of Patent:** **** Jun. 30, 2009**

(54) **BARBECUE GRILL LIGHT**

(75) Inventors: **Cory Thomas Borovicka**, San Francisco, CA (US); **Charles Adams**, Berkeley, CA (US)

(73) Assignee: **Charcoal Companion Incorporated**, Emeryville, CA (US)

(**) Term: **14 Years**

(21) Appl. No.: **29/326,846**

(22) Filed: **Oct. 24, 2008**

Related U.S. Application Data

(63) Continuation of application No. 29/293,665, filed on Dec. 5, 2007, now Pat. No. Des. 579,718.

(51) **LOC (9) Cl.** **07-02**

(52) **U.S. Cl.** **D7/402; D26/24; D26/60**

(58) **Field of Classification Search** D7/213, D7/402-409; D26/24, 28, 37, 39, 44, 57, D26/73, 60-65, 126, 138; 126/25 R, 39 BA; 362/89, 92, 191, 211, 236, 368-370, 581; 99/421 M

See application file for complete search history.

(56) **References Cited**

U.S. PATENT DOCUMENTS

- D350,211 S * 8/1994 Clasby D26/126
- D366,711 S * 1/1996 Clasby D26/60
- D383,235 S * 9/1997 Murch, Sr. D26/65
- 5,664,875 A * 9/1997 Hegedus 362/191
- 6,851,820 B2 * 2/2005 Choi et al. 362/92
- 6,935,327 B1 * 8/2005 Williams et al. 126/39 BA
- 7,008,072 B2 * 3/2006 Witzel et al. 362/92
- D527,137 S * 8/2006 Urich D26/138

- D535,046 S * 1/2007 Smith et al. D26/62
- 7,168,363 B1 * 1/2007 Brown 99/421 M
- D536,467 S * 2/2007 Geringer D26/63
- D574,100 S * 7/2008 Leen D26/60
- D579,718 S * 11/2008 Borovicka et al. D7/402

* cited by examiner

Primary Examiner—Robert A. Delehanty

Assistant Examiner—Mark Cavanna

(74) *Attorney, Agent, or Firm*—Donald L. Beeson; Beeson Skinner Beverly, LLP

(57) **CLAIM**

The ornamental design for a barbecue grill light, as shown and described.

DESCRIPTION

FIG. 1 is a top perspective view of a barbecue grill light showing our new design;

FIG. 2 is another top perspective view thereof;

FIG. 3 is a top plan view thereof;

FIG. 4 is a front elevational view thereof;

FIG. 5 is a bottom plan view thereof;

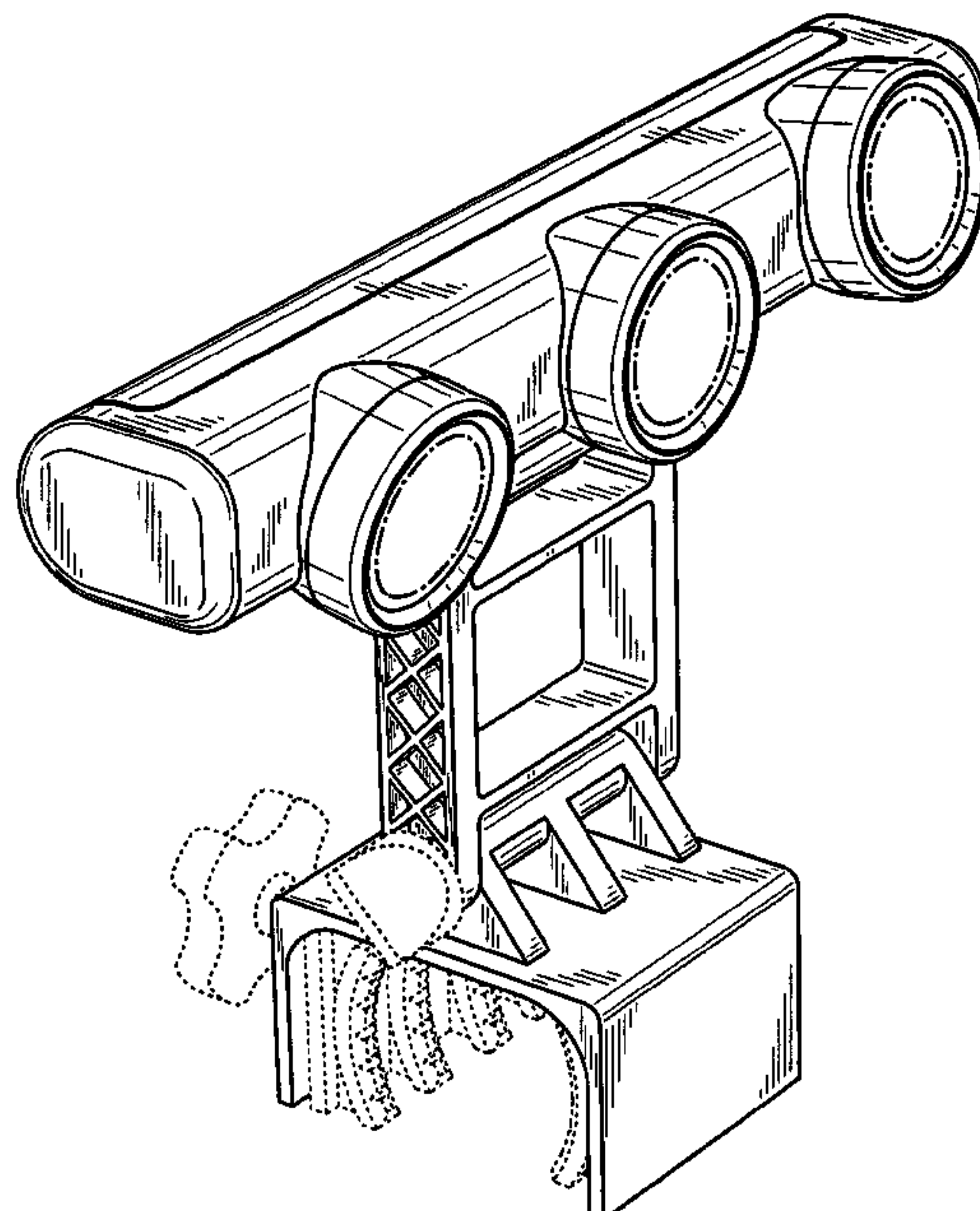
FIG. 6 is rear elevational view;

FIG. 7 is a right side elevational view thereof; and,

FIG. 8 is a left side elevational view thereof.

The broken lines showing knobs, internal clamping structure and other details of the barbecue grill light are for the purpose illustrating environmental structure and form no part of the claimed design. The long-short-long broken lines in FIGS. 1, 2, 4, and 5 represent the bounds of the claimed design and form no part thereof.

1 Claim, 5 Drawing Sheets



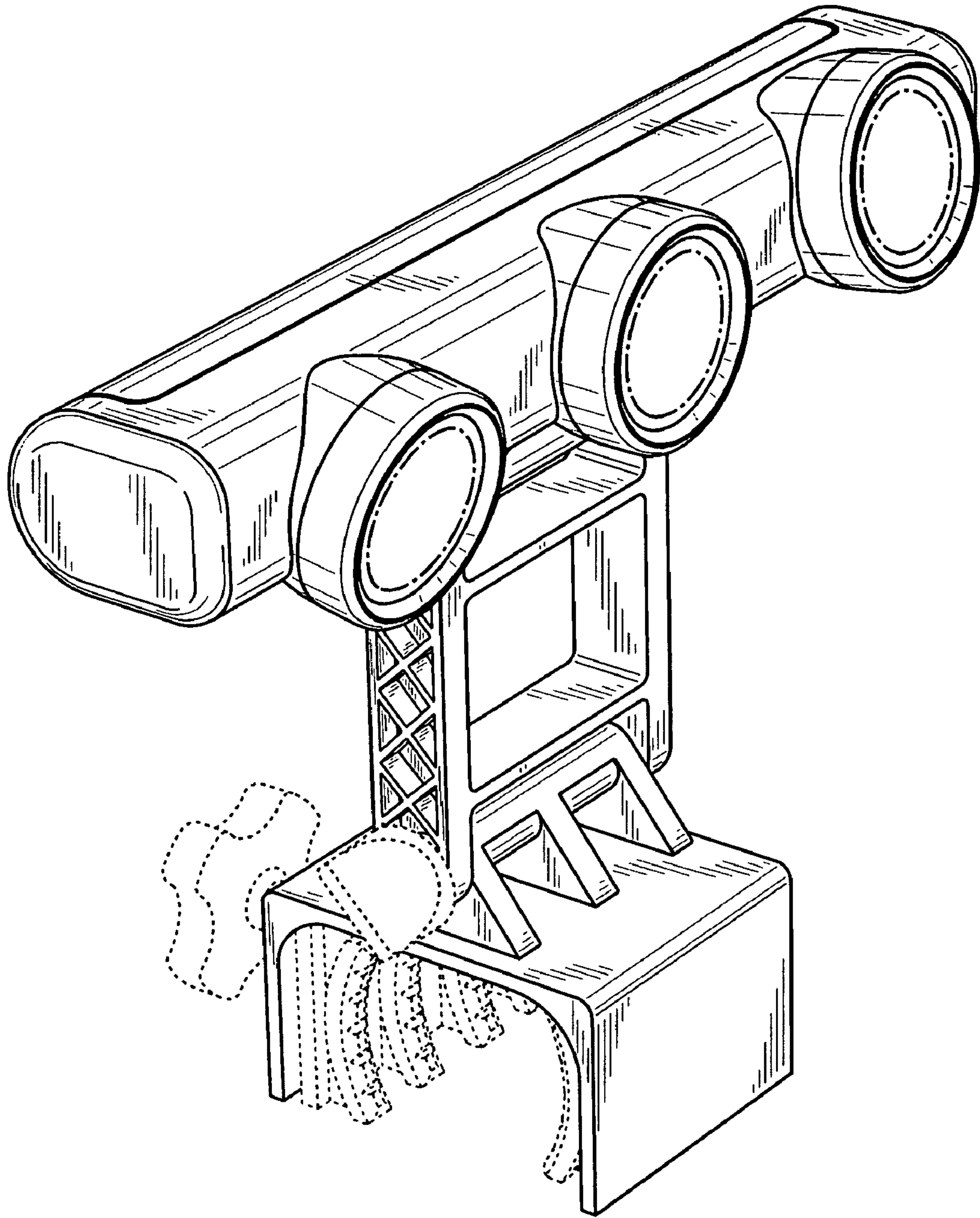


FIG. 1

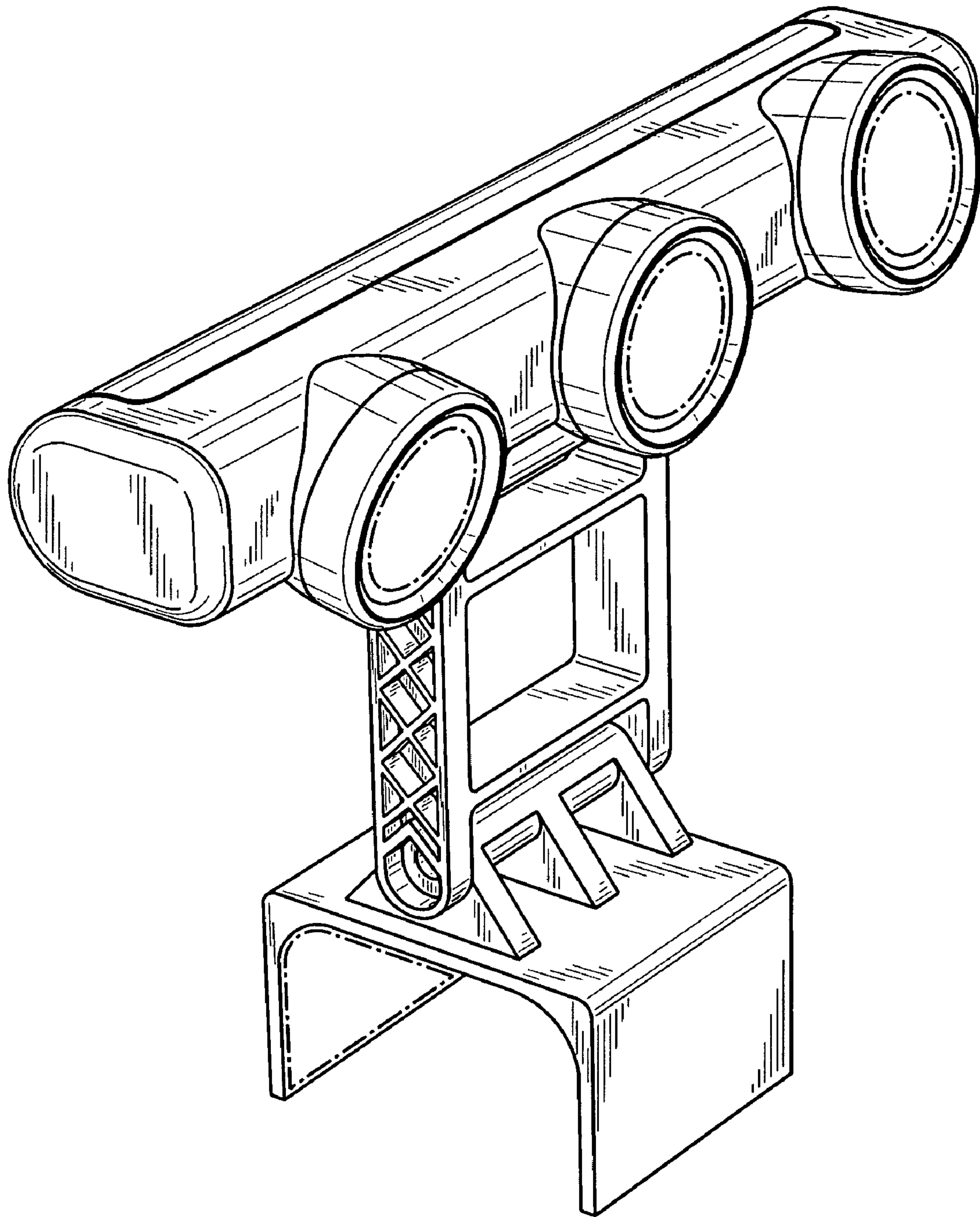


FIG. 2

FIG. 3

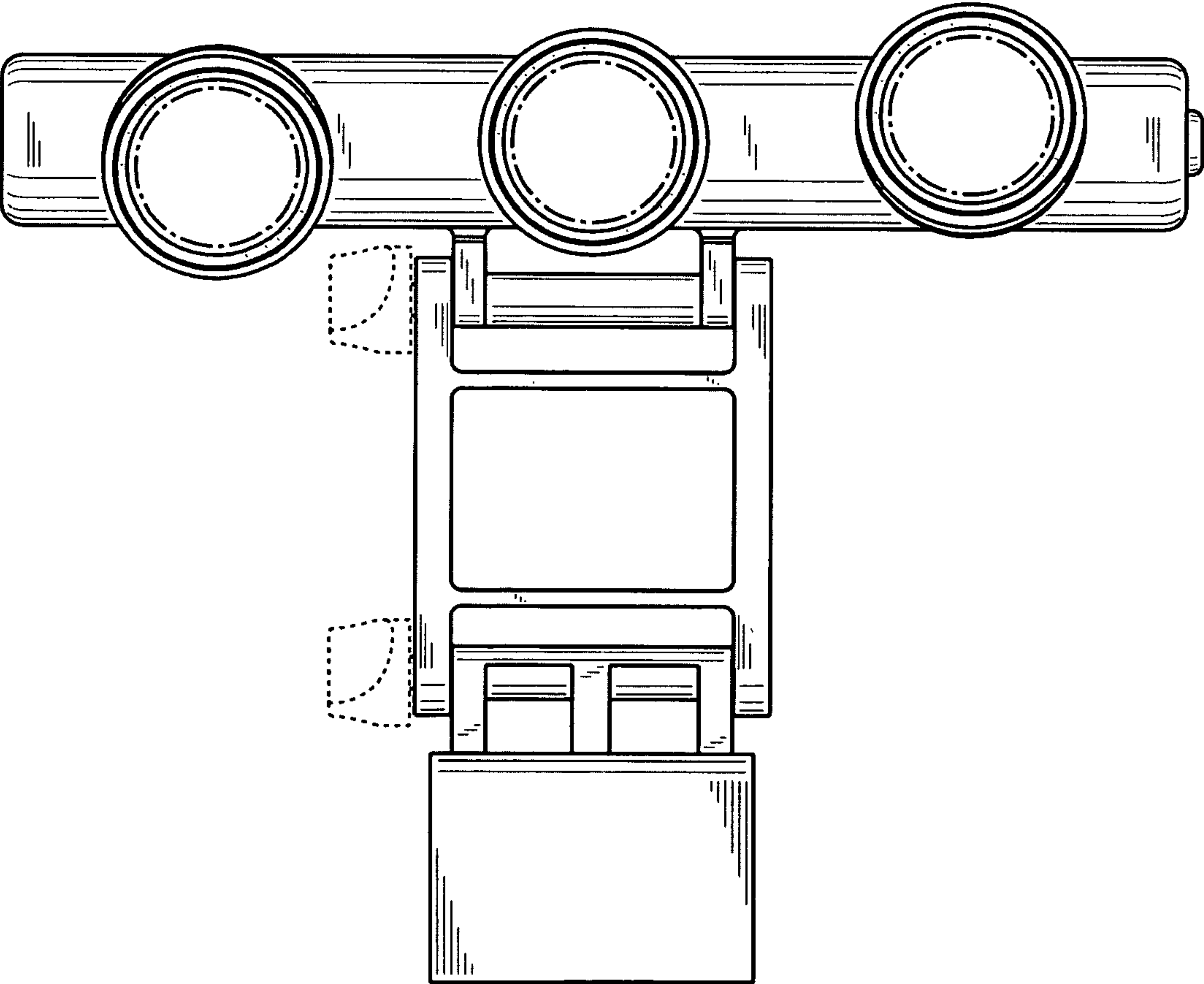
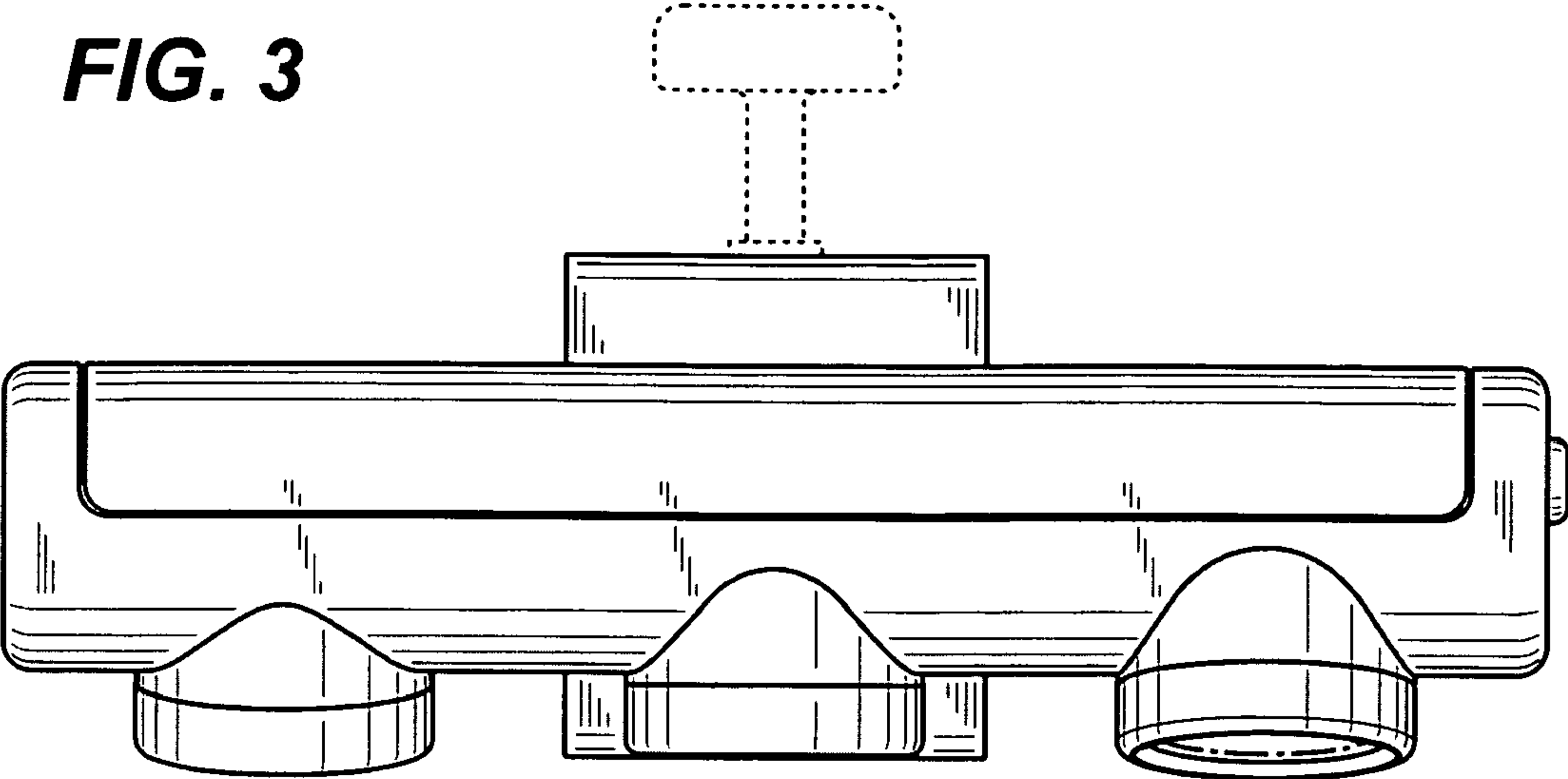


FIG. 4

FIG. 5

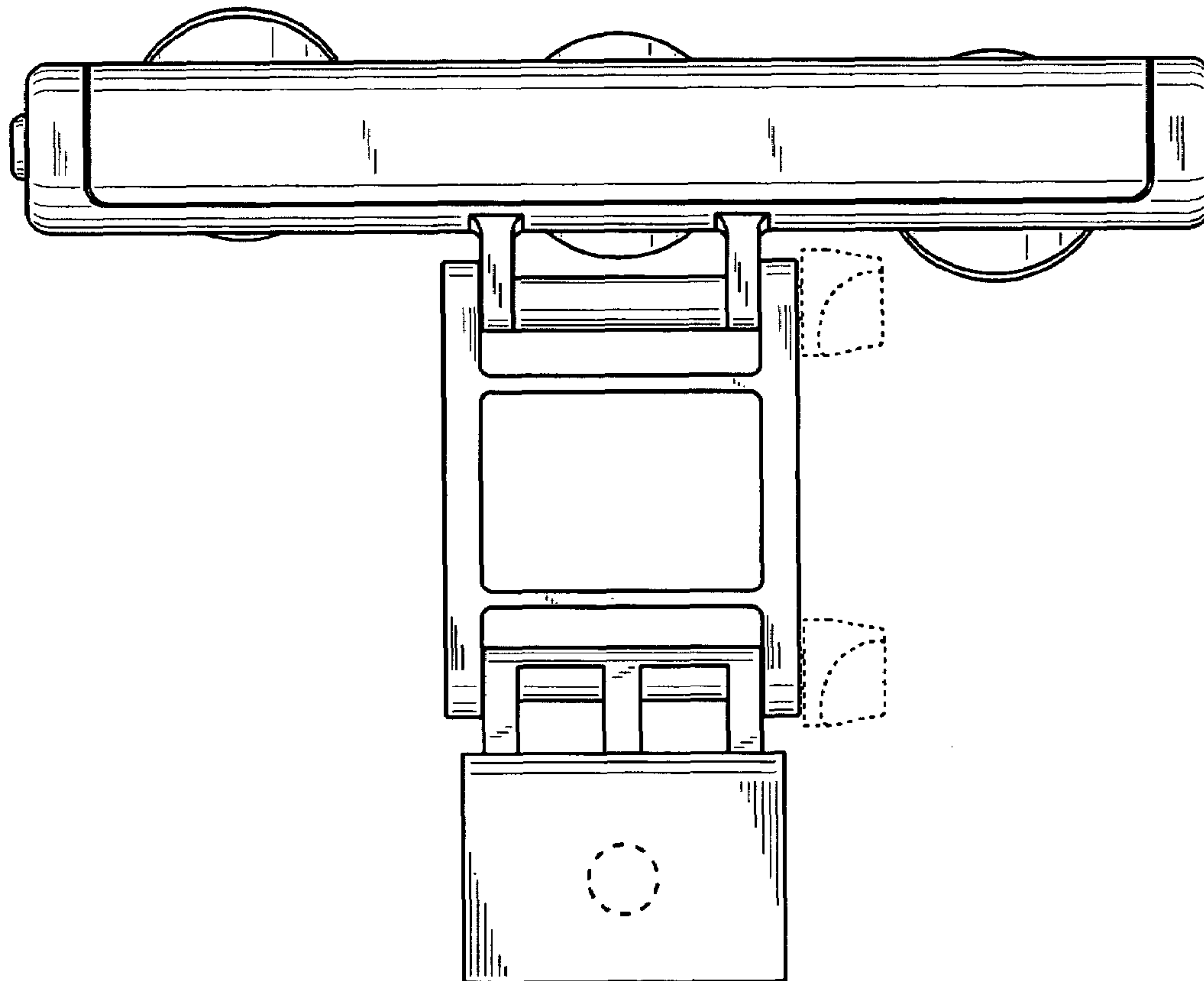
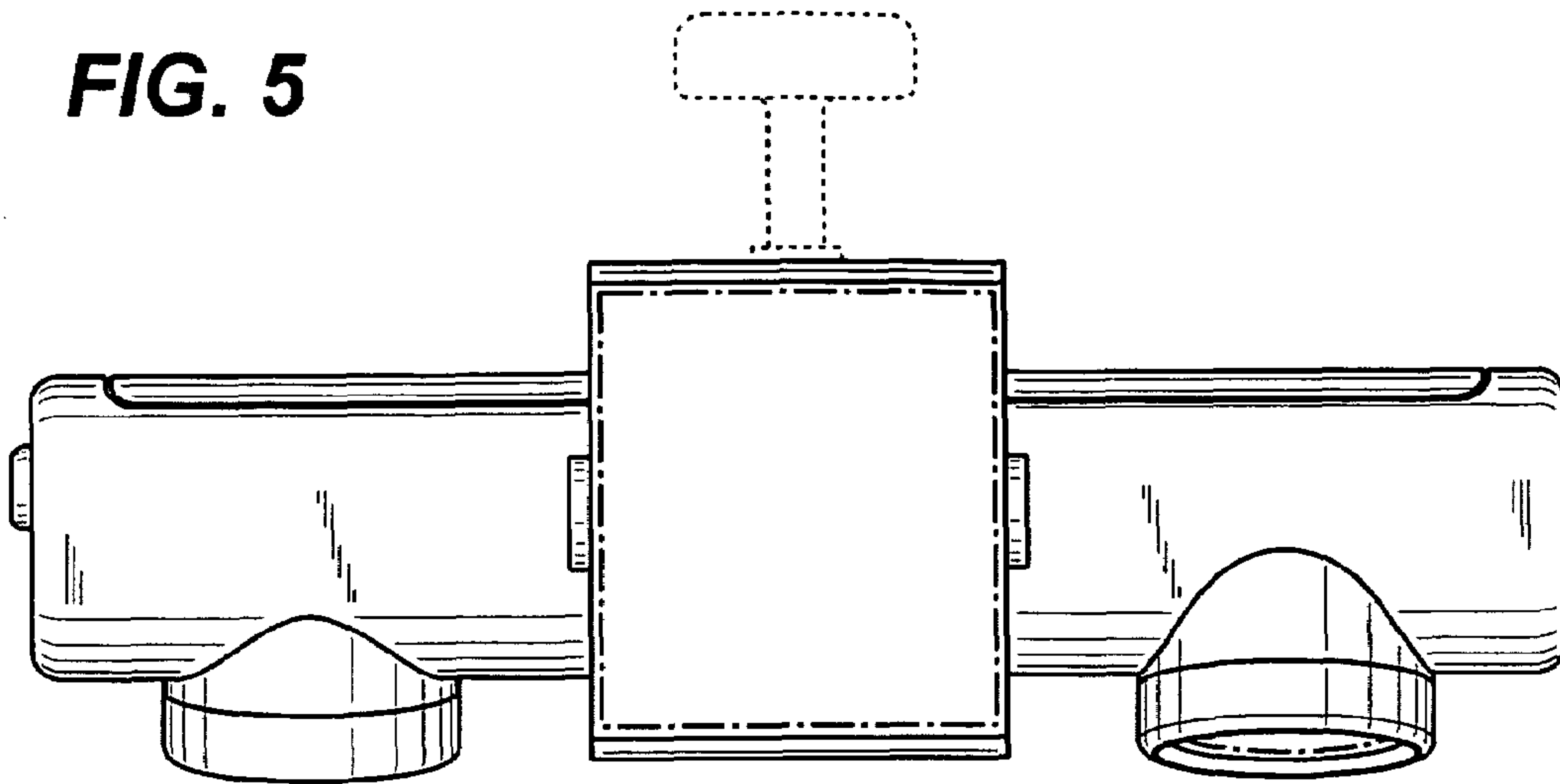


FIG. 6

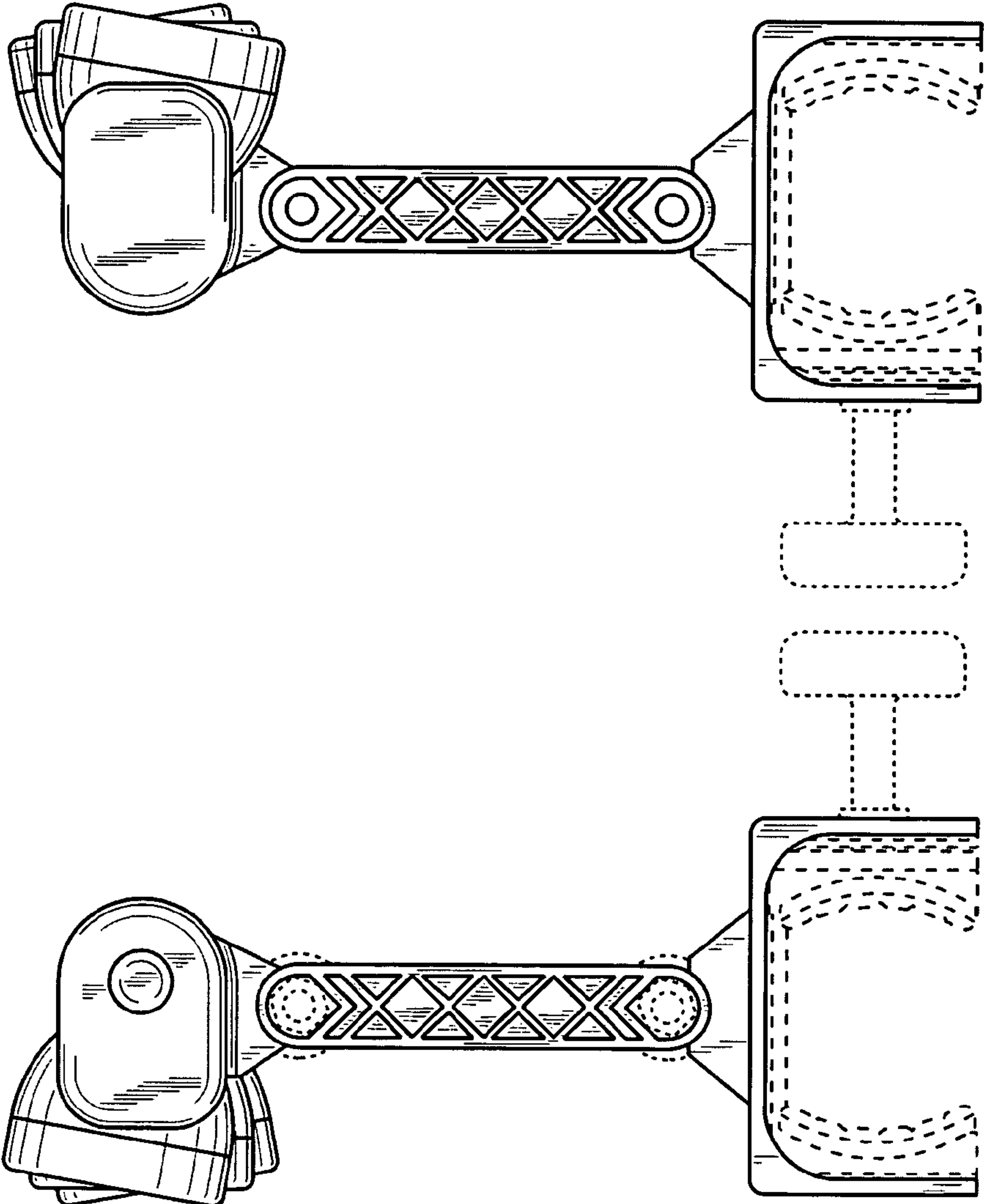


FIG. 8

FIG. 7