

US00D595084S

(12) **United States Design Patent**
Metaxatos et al.

(10) **Patent No.:** **US D595,084 S**
(45) **Date of Patent:** **** Jun. 30, 2009**

(54) **BASE OF A BLENDER**

D484,357 S * 12/2003 Seum et al. D7/378

(75) Inventors: **Paul K. Metaxatos**, Swampscott, MA (US); **Steffen F. Koury**, Everett, MA (US); **Kurtis R. MacLaurin**, Arlington, MA (US); **Robert M. Ulanski**, Broadview Heights, OH (US); **David J. Kolar**, Stow, OH (US); **Stephen P. Rukavina**, Rocky River, OH (US); **Mark F. Fleming**, Strongsville, OH (US); **Anthony M. Ciepiel**, Hudson, OH (US)

(73) Assignee: **Vita-Mix Corporation**, Cleveland, OH (US)

(**) Term: **14 Years**

(21) Appl. No.: **29/312,880**

(22) Filed: **Nov. 19, 2008**

(51) **LOC (9) Cl.** **31-00**

(52) **U.S. Cl.** **D7/386; D7/378**

(58) **Field of Classification Search** D7/306-313, D7/317-318, 326, 356, 374-386, 392, 397-399, D7/412-415, 607, 665; D9/432; 99/348, 99/509-511; 241/274-278.2, 285.1-285.3, 241/291, 292.1; 312/138.1, 293.2, 326-327; 366/64-67, 98, 192, 197-211, 205-206, 366/241-254, 279-292, 341-347

See application file for complete search history.

(56) **References Cited**

U.S. PATENT DOCUMENTS

D198,070 S	4/1964	Musichuk	
D200,494 S *	3/1965	Bezark D7/386
D204,117 S	3/1966	Di Sesa	
D204,224 S	3/1966	Gantz	
D207,692 S	5/1967	Dykes	
D217,522 S	5/1970	Madl	
D228,698 S *	10/1973	Bernard D7/378
D232,297 S	8/1974	Mantelet	
D255,759 S	7/1980	Ernest	
D336,590 S	6/1993	Barnard	
5,533,797 A	7/1996	Gelber	
D473,422 S *	4/2003	Chiappetta et al. D7/386

OTHER PUBLICATIONS

“Bar and Restaurant Customer Catalog”, Oster Professional Products Dept., Milwaukee, Wisconsin, 6 pages (1986).

“Hamilton Beach”, Hamilton Beach Commercial, Glen Allen, VA, 5 pages (Aug. 1998).

“Model 990 1 Gallon Blender”, Hamilton Beach Commercial, Glen Allen, VA, 2 pages (Nov. 1992).

“Vita-prep™ The Professional Chef’s Power Tool”, Vita-Mix Corporation, Cleveland, OH, 2 pages (May 1998).

“Vita-Pro®—The Difference is Clear”, Vita-Mix Corporation, Cleveland, OH, 2 pages (Jul. 2001).

“Finally, A Boss That Flips Itself Off”, Vita-Mix Corporation, Cleveland, OH, 4 pages (Nov. 2002).

“What more can the world’s best blender offer? More Quiet.”, Vita-Mix Corporation, Cleveland, OH, 4 pages (Apr. 1998).

“Get Trim & Fit Fast”, Vita-Mix Corporation, Cleveland, OH, 7 pages (Jan. 1999).

Drawings of U.S. Appl. No. 29/310,183, 7 sheets (filed Jul. 30, 2008).

* cited by examiner

Primary Examiner—Caron Veynar

Assistant Examiner—Ricky Pham

(74) *Attorney, Agent, or Firm*—Renner, Kenner, Greive, Bobak, Taylor & Weber

(57) **CLAIM**

The ornamental design for a base of a blender, as shown and described.

DESCRIPTION

FIG. 1 is a top, front, right side perspective view of a base of a blender showing our new design;

FIG. 2 is a front elevational view thereof;

FIG. 3 is a rear elevational view thereof;

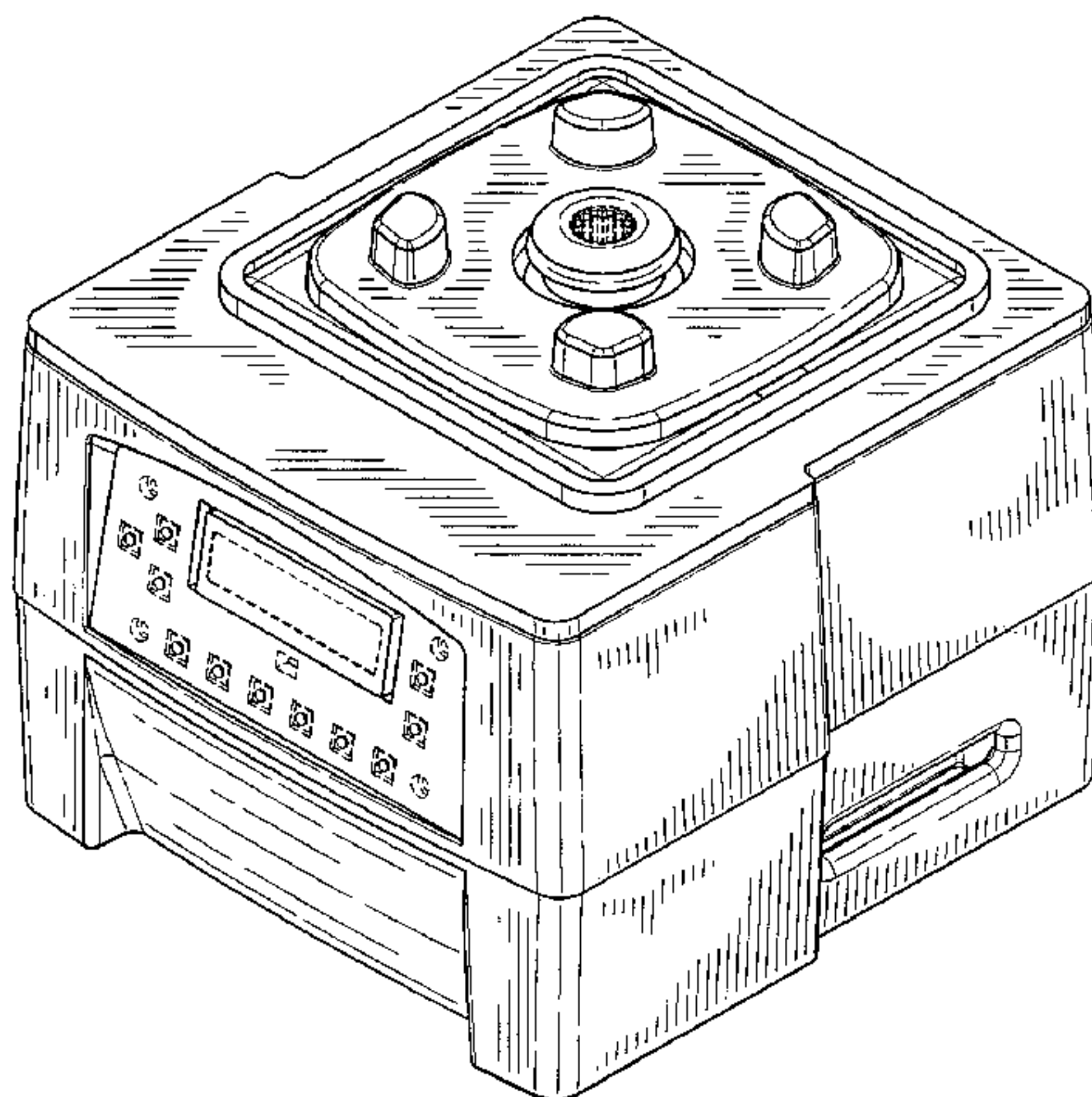
FIG. 4 is a top plan view thereof;

FIG. 5 is a bottom plan view thereof; and,

FIG. 6 is a right side elevational view thereof, the left side being a mirror image of FIG. 6.

The portions of the base of a blender shown in dotted lines are not part of the claimed invention.

1 Claim, 4 Drawing Sheets



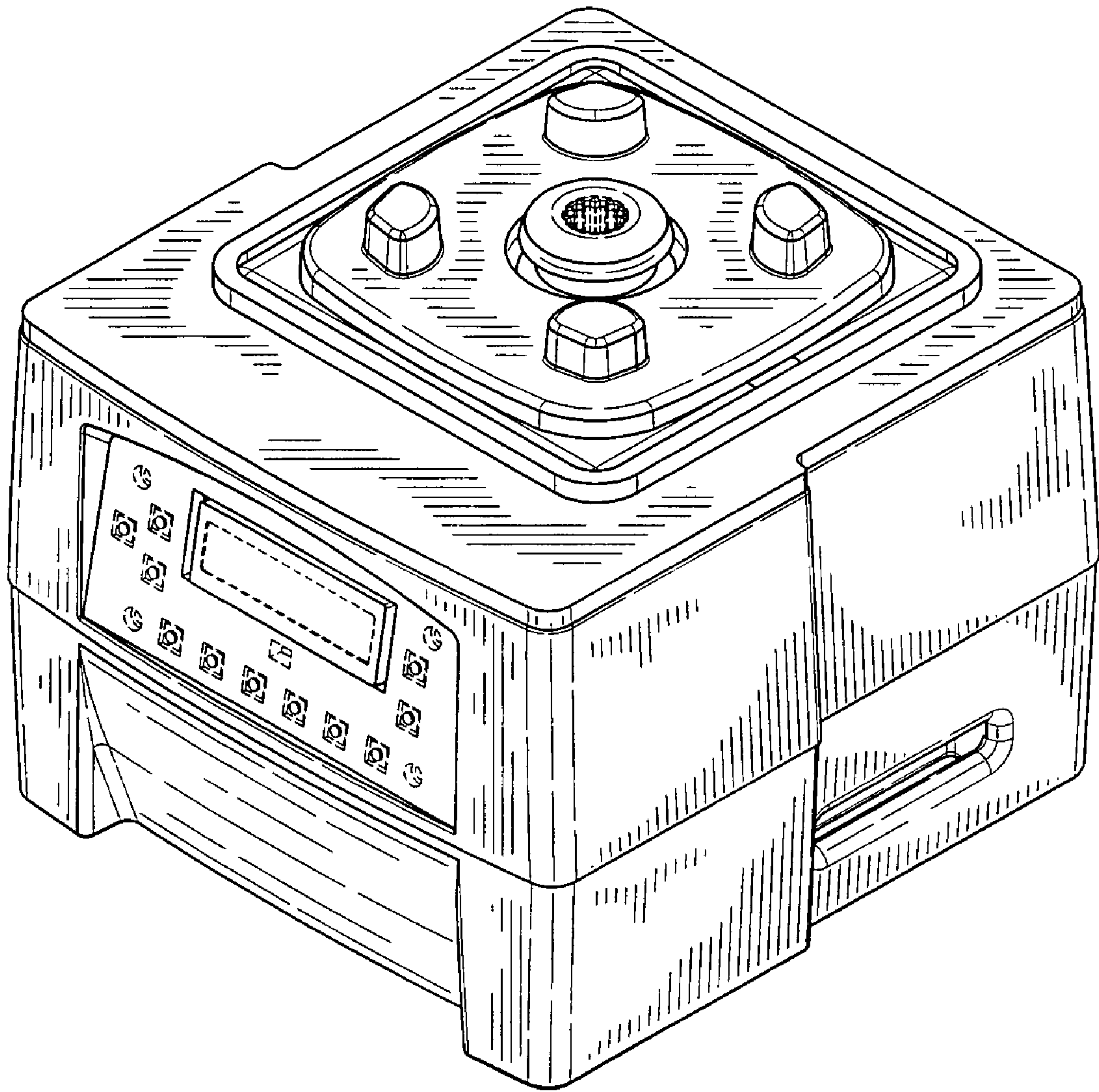


FIG-1

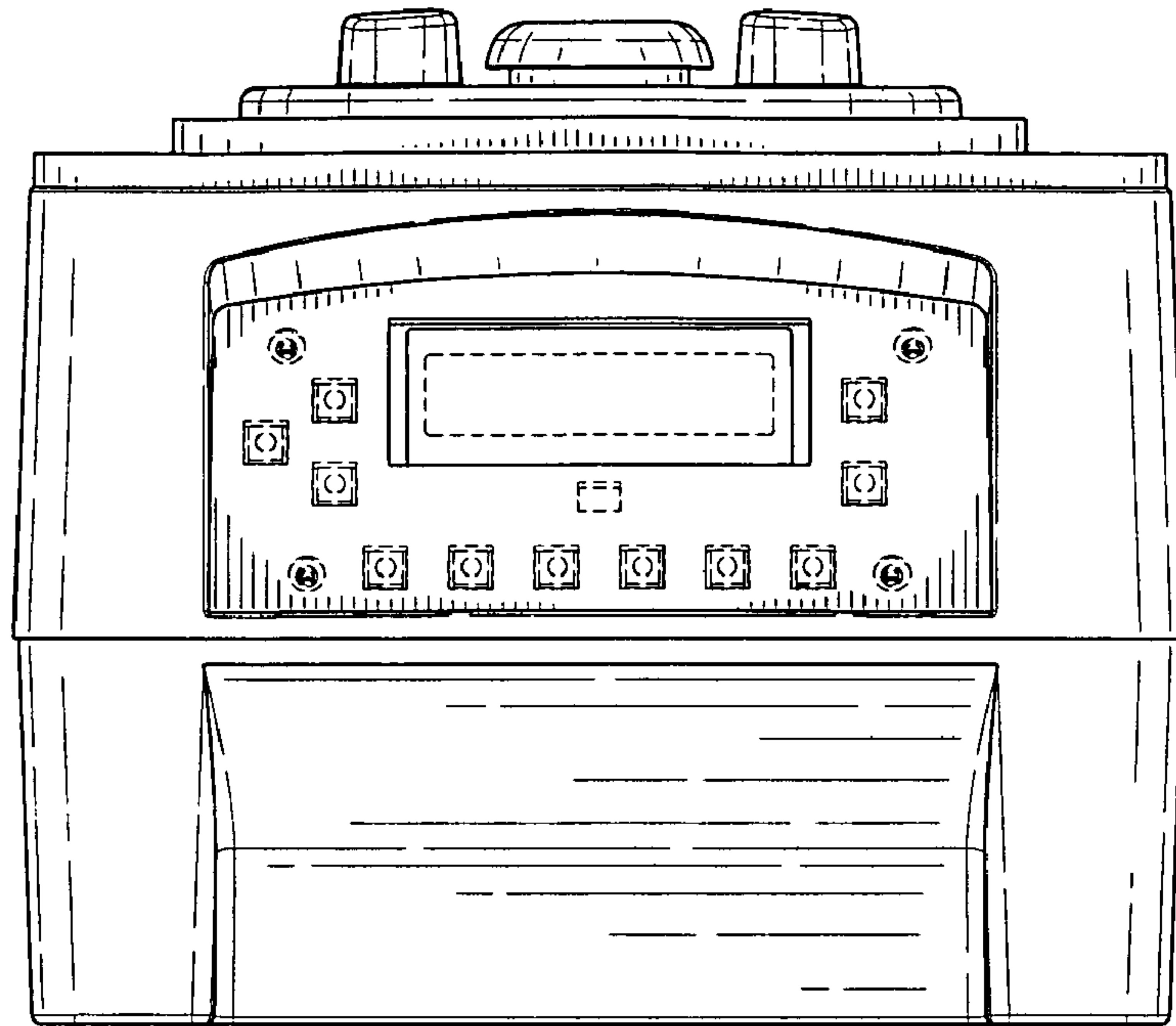


FIG-2

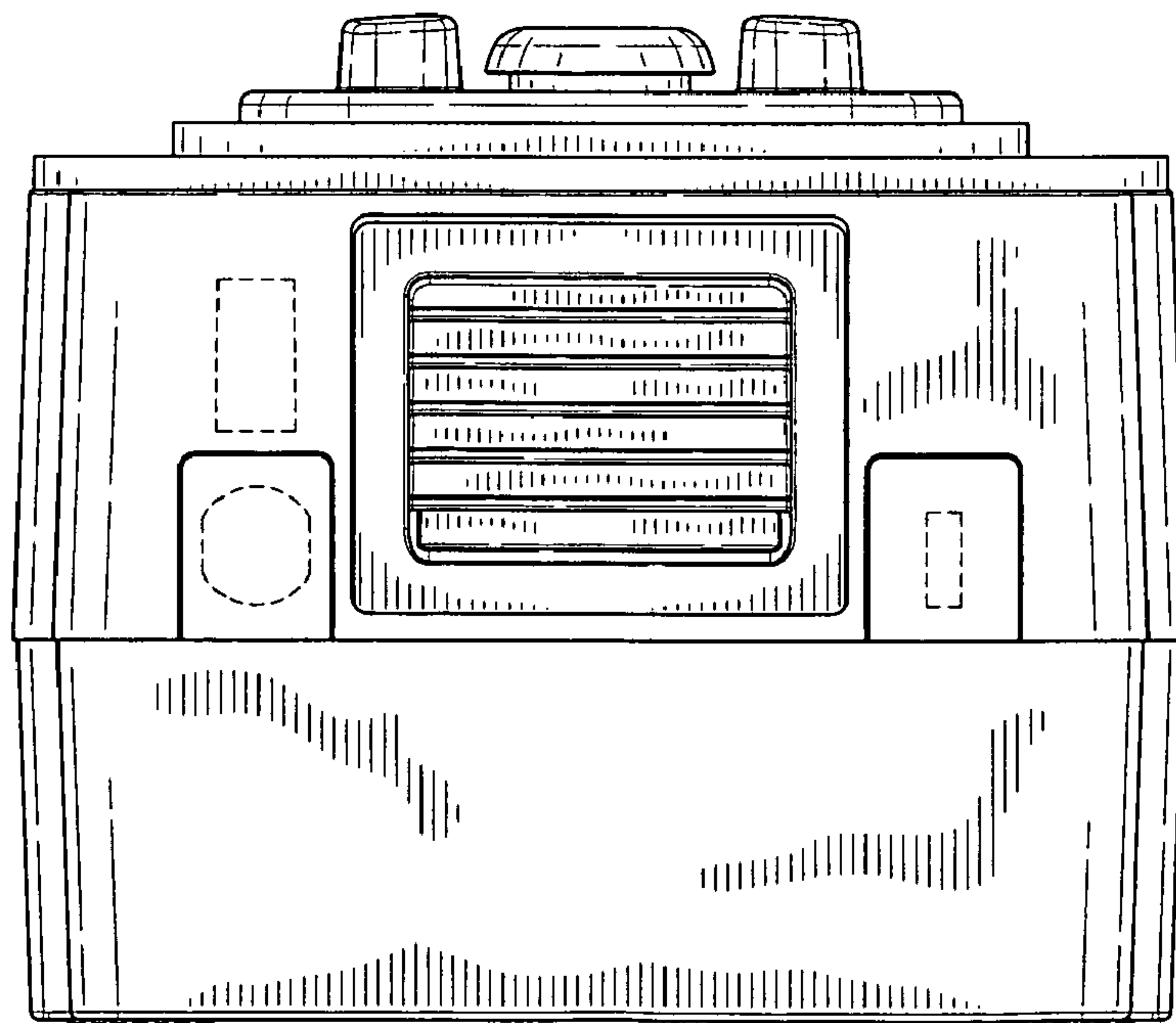


FIG-3

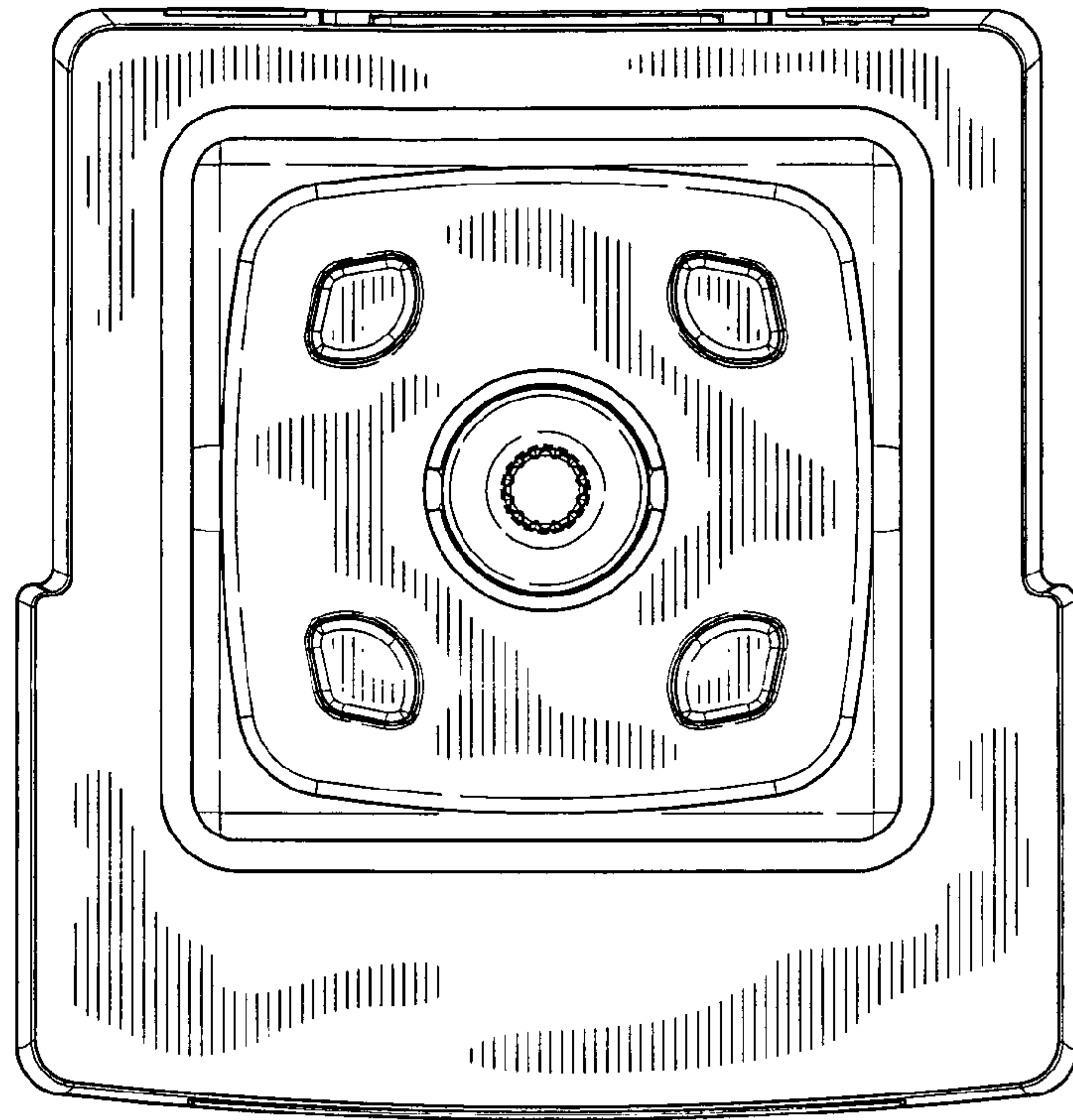


FIG-4

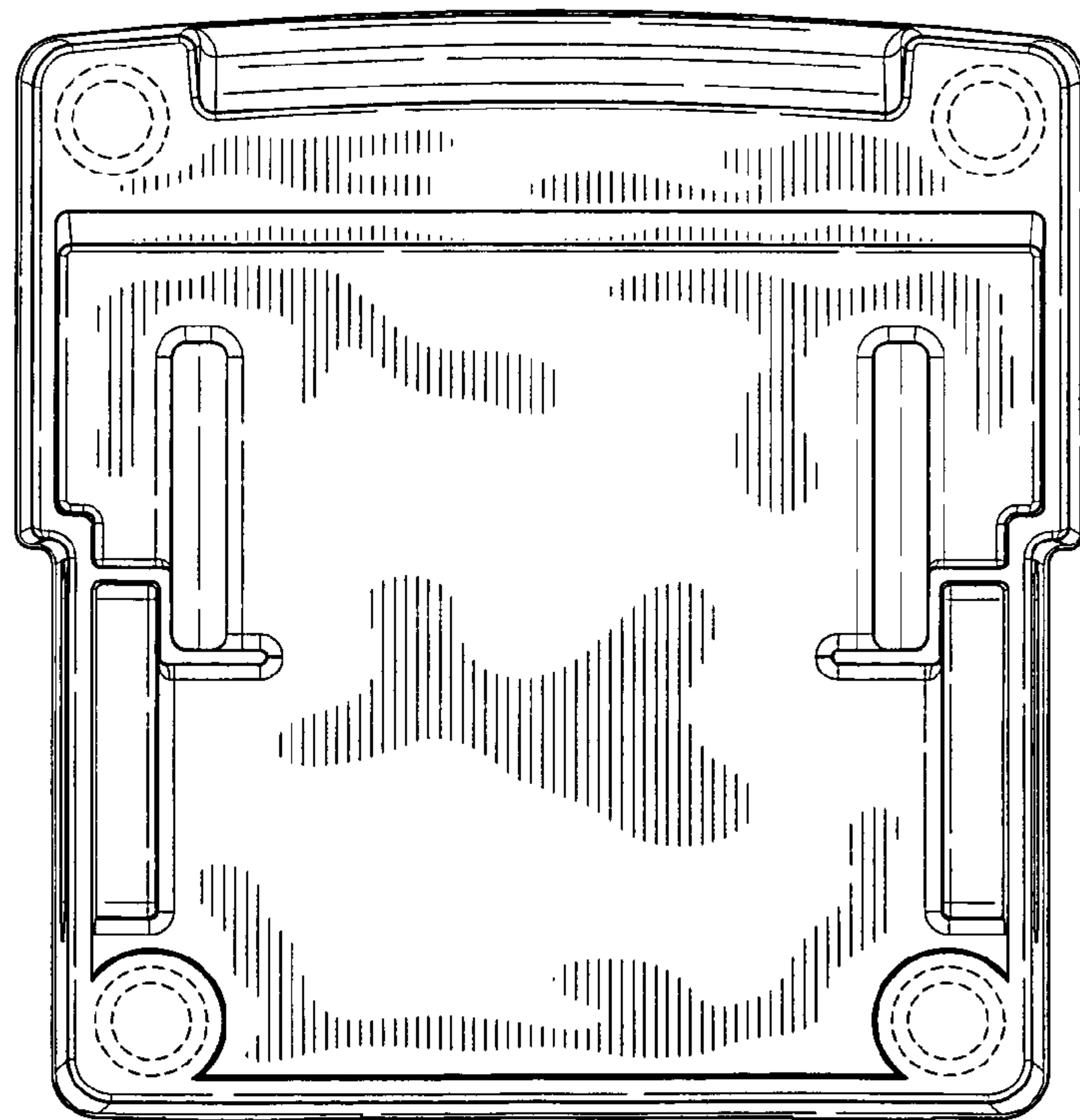


FIG-5

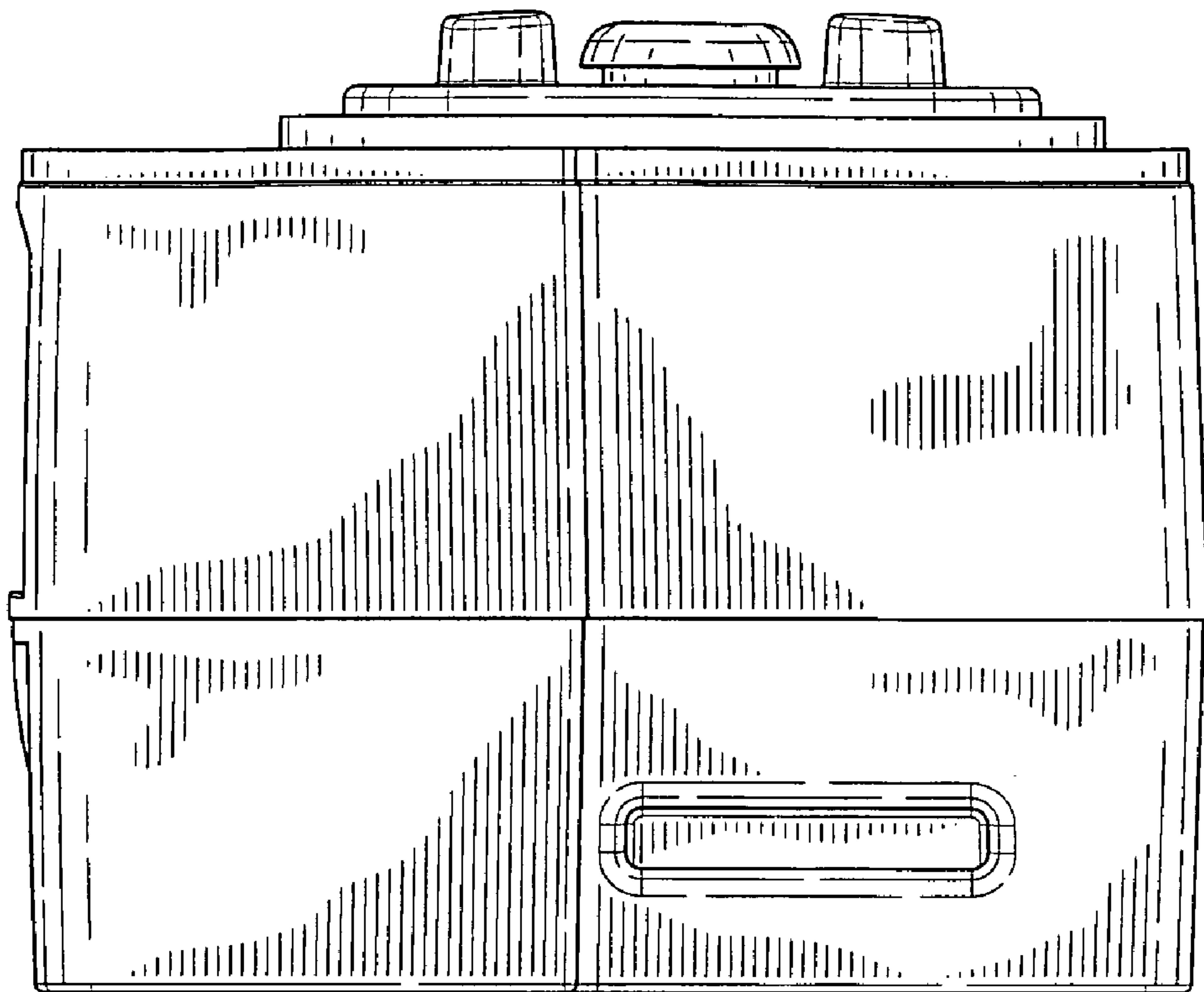


FIG-6