



US00D595081S

(12) **United States Design Patent**
Tan

(10) **Patent No.:** **US D595,081 S**
(45) **Date of Patent:** **** Jun. 30, 2009**

(54) **BEVERAGE MAKER**

(75) Inventor: **Joyce Tan**, Hamburg (DE)

(73) Assignee: **Airbus Deutschland**, Hamburg (DE)

(**) Term: **14 Years**

(21) Appl. No.: **29/322,299**

(22) Filed: **Aug. 1, 2008**

(51) **LOC (9) Cl.** **07-01**

(52) **U.S. Cl.** **D7/308; D7/307; D7/311**

(58) **Field of Classification Search** D7/300,
D7/306-308, 309-311; D15/80; D20/4;
99/295, 293, 323.1, 279

See application file for complete search history.

(56) **References Cited**

U.S. PATENT DOCUMENTS

D261,269 S *	10/1981	Cornett	D7/307
D276,814 S *	12/1984	Koeneman et al.	D15/80
4,590,975 A *	5/1986	Credle, Jr.	141/1
D442,011 S *	5/2001	Sandor et al.	D7/307
D442,417 S *	5/2001	Jones et al.	D7/307
D448,600 S *	10/2001	Sandor et al.	D7/307
D451,748 S *	12/2001	Holderfield	D7/307
D452,406 S *	12/2001	Schroeder et al.	D7/307
D453,088 S *	1/2002	Bell et al.	D7/307
D463,193 S *	9/2002	Sandor et al.	D7/307
D465,119 S *	11/2002	Strandell et al.	D7/307

D486,687 S *	2/2004	Strandell	D7/307
D529,750 S *	10/2006	Baron et al.	D7/307
D587,058 S *	2/2009	Terada et al.	D7/308

* cited by examiner

Primary Examiner—Marianne Pandozzi

(74) *Attorney, Agent, or Firm*—Perman & Green LLP

(57) **CLAIM**

The ornamental design of a beverage maker, as shown and described.

DESCRIPTION

The design relates to a beverage maker with three nozzles. The unit is designed for dispensing beverages (like coffee etc.) via nozzles directly into cups. It can be mounted on a passenger service cart and inserted in a galley compartment.

FIG. 1 is a front view of a beverage maker showing my new design, the rear view being a mirror image thereof;

FIG. 2 is a side view thereof, the opposite side being a mirror image thereof;

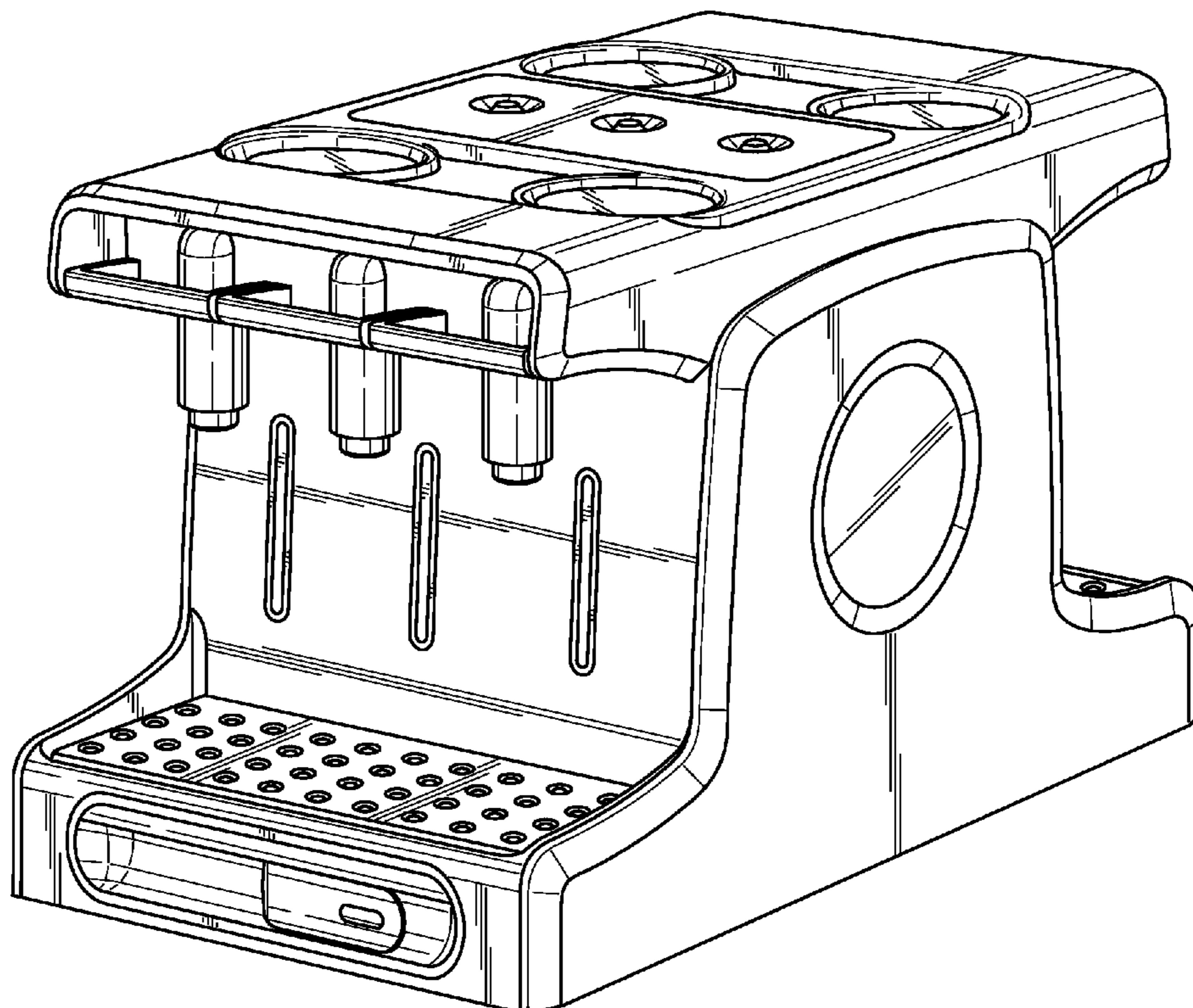
FIG. 3 is a top view thereof, and

FIG. 4 is a perspective view thereof; and,

FIG. 5 is an in use perspective view thereof.

The broken lines in FIG. 5 are included for the purpose of illustrating a cup and a portion of a service cart and form no part of the claimed design.

1 Claim, 5 Drawing Sheets



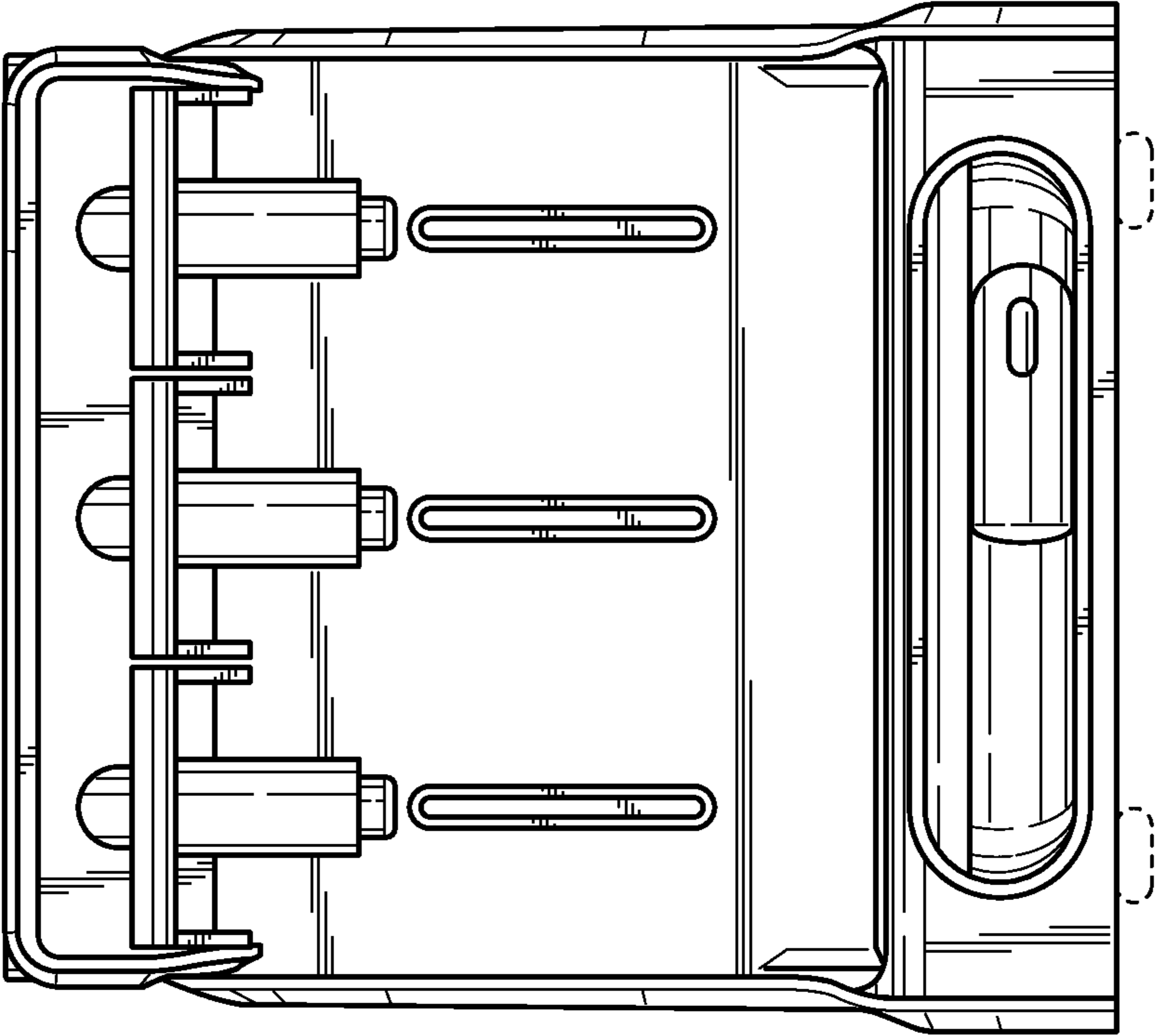


FIG. 1

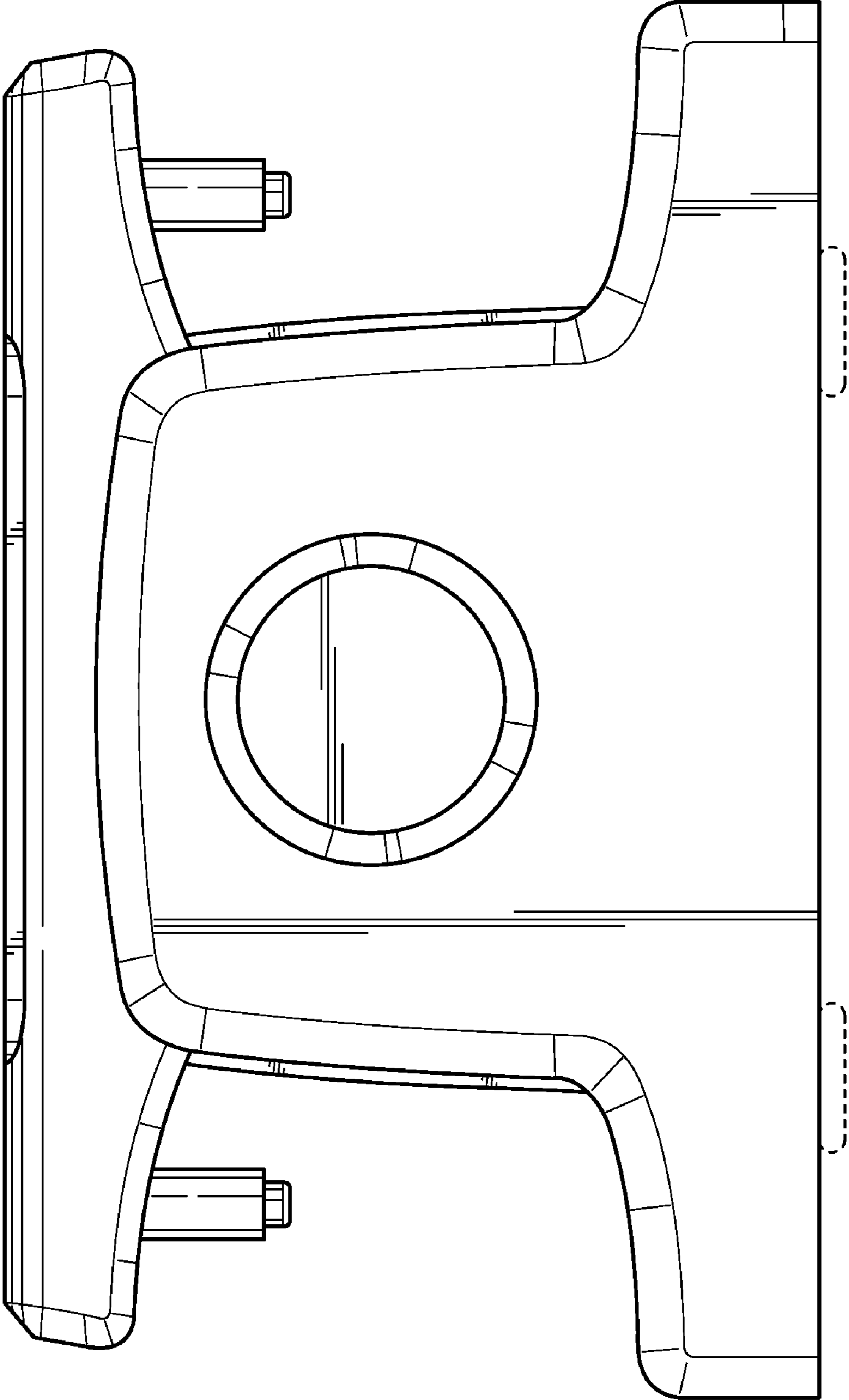


FIG. 2

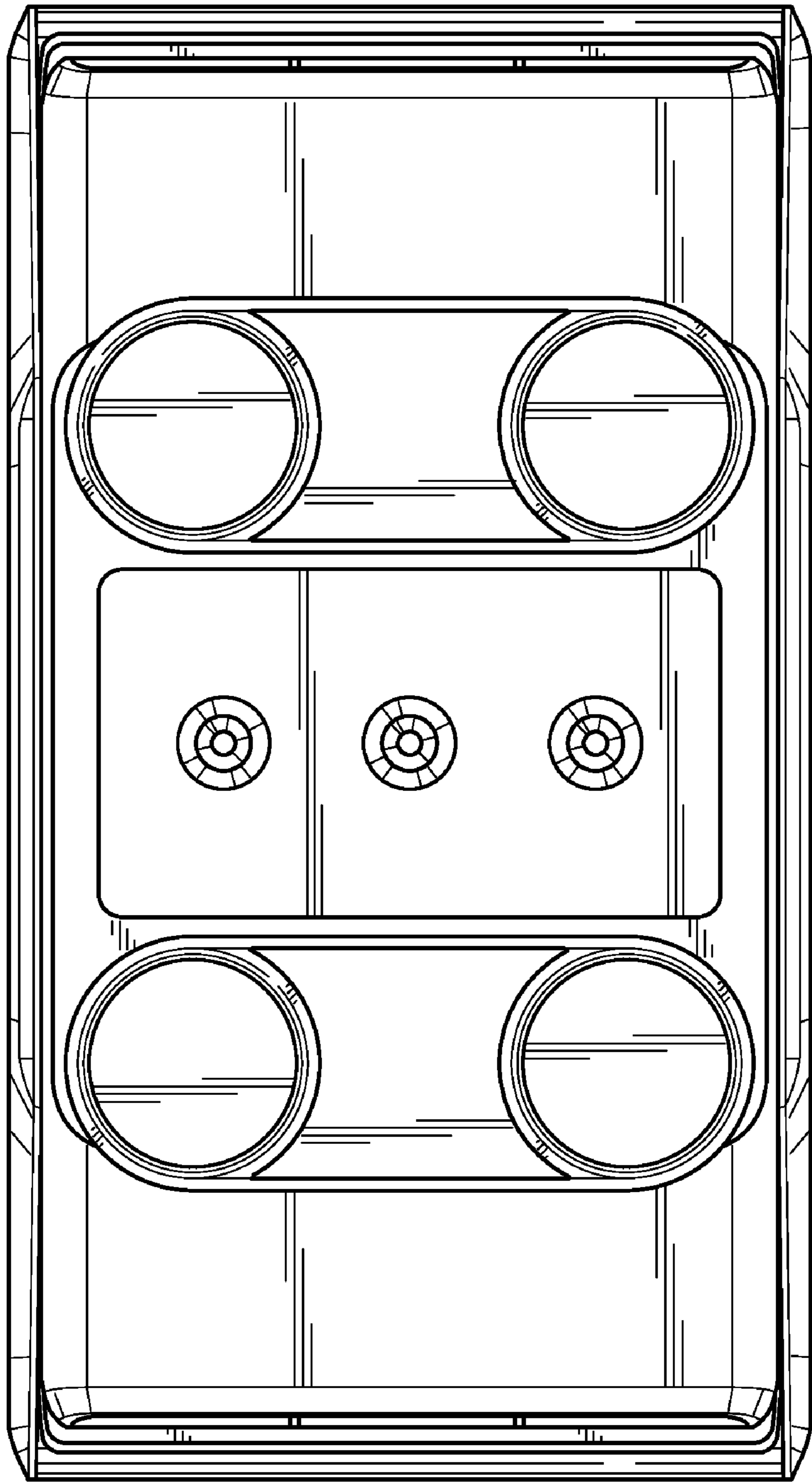


FIG. 3

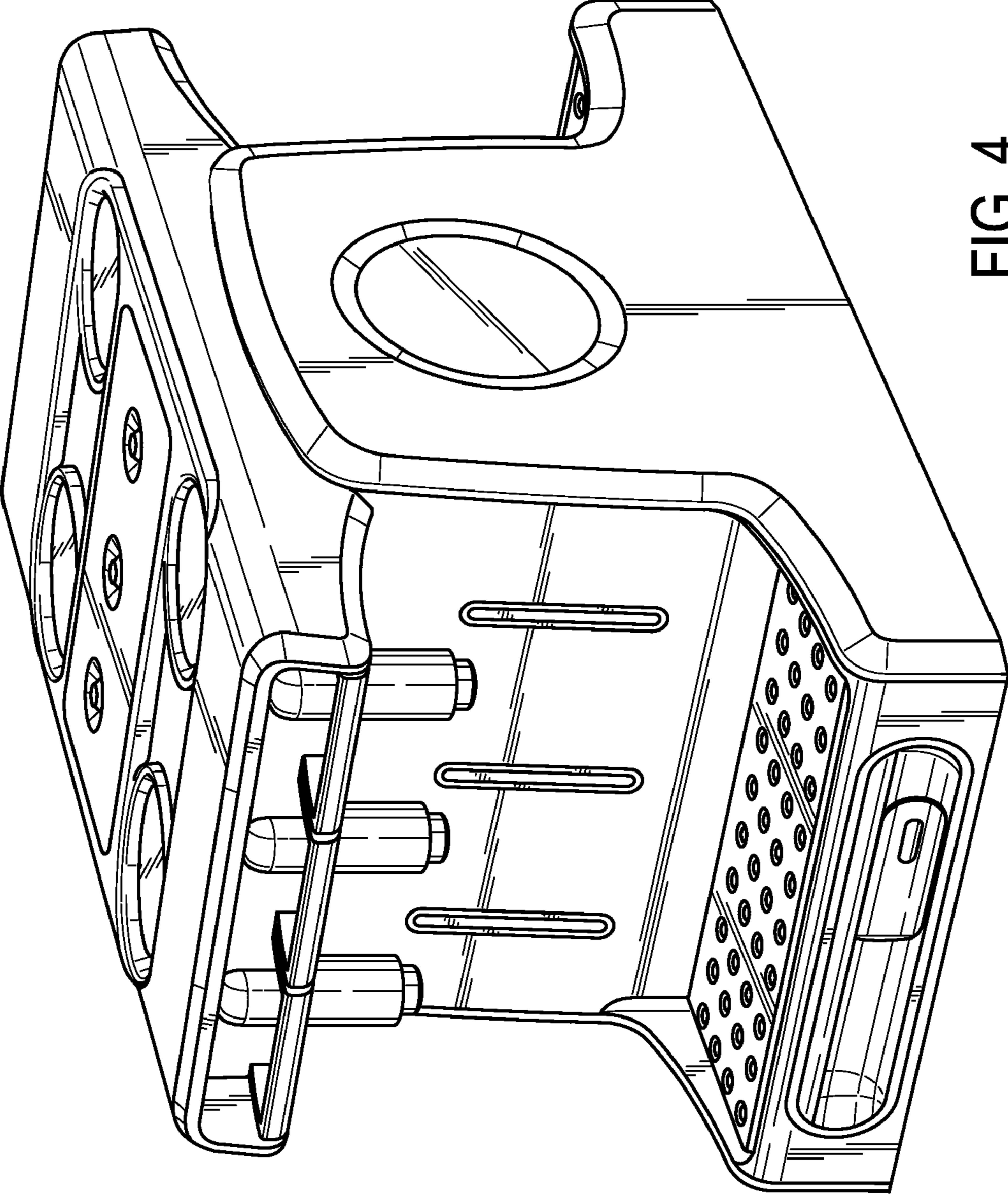


FIG. 4

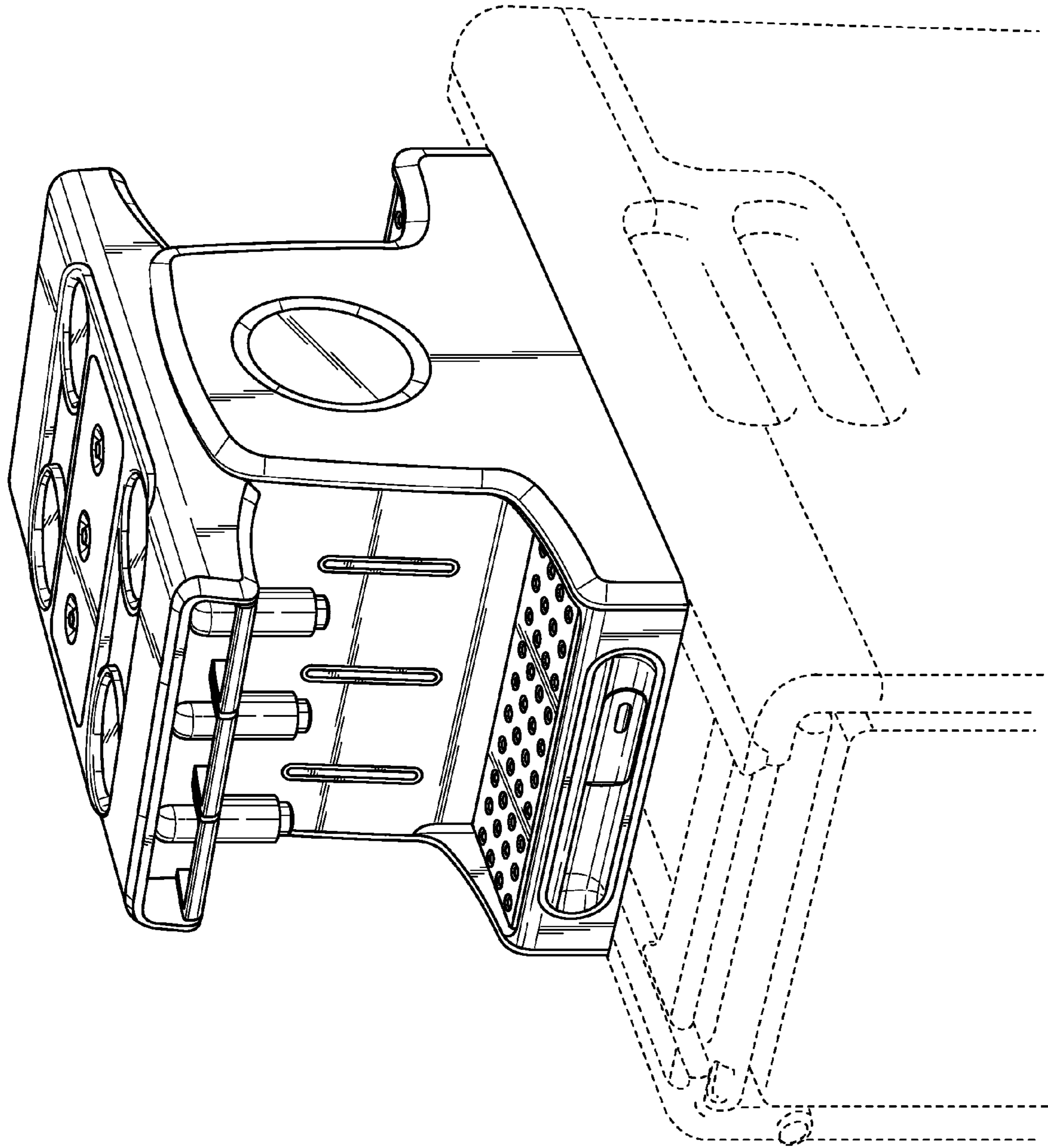


FIG. 5

UNITED STATES PATENT AND TRADEMARK OFFICE
CERTIFICATE OF CORRECTION

PATENT NO. : D595,081 S
APPLICATION NO. : 29/322299
DATED : June 30, 2009
INVENTOR(S) : Joyce Tan

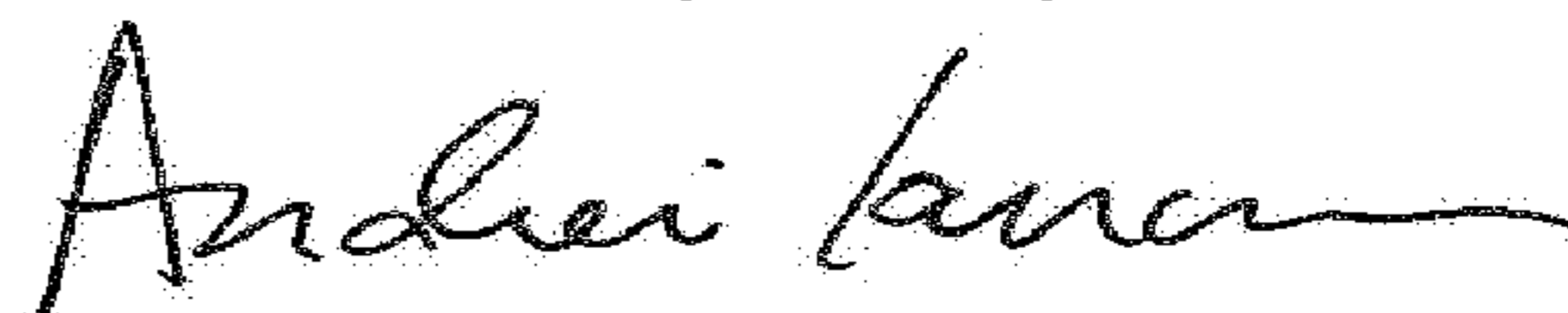
Page 1 of 1

It is certified that error appears in the above-identified patent and that said Letters Patent is hereby corrected as shown below:

On the Title Page

Line 8, after item (74), please incorporate -- CROSS-REFERENCE TO RELATED APPLICATIONS
This application claims priority to, and the benefit of, design model 882949-0001, filed on February
21, 2008 registered by the OHIM, Alicante, the disclosure of which is incorporated herein by reference
in its entirety --

Signed and Sealed this
Tenth Day of July, 2018



Andrei Iancu
Director of the United States Patent and Trademark Office