



US00D595077S

(12) **United States Design Patent**
Tai

(10) **Patent No.:** **US D595,077 S**
(45) **Date of Patent:** **** Jun. 30, 2009**

(54) **GUITAR STAND**
(75) Inventor: **Jonathan Tai**, Shanghai (CN)
(73) Assignee: **Shanghai Max Precision Instrument**,
Shanghai (CN)
(**) Term: **14 Years**
(21) Appl. No.: **29/247,726**
(22) Filed: **Jul. 6, 2006**
(51) **LOC (9) Cl.** **06-04**
(52) **U.S. Cl.** **D6/570**
(58) **Field of Classification Search** D6/512-514,
D6/552, 553, 524, 525, 566, 570; 211/13.1,
211/106, 70.6, 134, 70.7, 71.01, 86.01, 90.01,
211/90.03, 126.1, 181.1; 248/302
See application file for complete search history.

4,010,922 A 3/1977 Heller
4,061,302 A 12/1977 Boone
4,099,441 A 7/1978 Landon
4,205,818 A 6/1980 Lawler
4,317,552 A 3/1982 Weidler
D265,873 S 8/1982 Smith
4,352,480 A 10/1982 Gathright
4,561,339 A 12/1985 Jensen
4,582,282 A 4/1986 Gracie
4,671,479 A 6/1987 Johnson
4,691,610 A 9/1987 Gilbert
4,693,161 A 9/1987 Uhrig
4,695,021 A 9/1987 Leinfelder
4,712,756 A 12/1987 Kester
4,744,536 A 5/1988 Bancalari
4,785,708 A 11/1988 Vaughan
D299,244 S 1/1989 Jones

(Continued)

(56) **References Cited**
U.S. PATENT DOCUMENTS

230,851 A 8/1880 Anthony
368,426 A 8/1887 Rutmann
575,729 A 1/1897 Palmer
730,062 A 6/1903 Widmer
1,359,811 A 11/1920 Kirkendall et al.
1,673,205 A 6/1928 Romao
1,684,912 A 9/1928 Dunklau
1,862,562 A 6/1932 Aldeen et al.
1,863,756 A 6/1932 Lufkin
2,547,924 A 4/1951 Citro
2,559,200 A 7/1951 Schaf
2,630,289 A 3/1953 Selig
2,727,708 A 12/1955 Lorenzen
2,940,709 A 6/1960 Neuwirth
3,057,591 A 10/1962 Weimer
3,526,380 A 9/1970 Tong
D223,638 S 5/1972 Smith
3,709,454 A 1/1973 Hyde
3,804,355 A 4/1974 Uroshevich
3,881,675 A 5/1975 Matchett
D236,227 S 8/1975 Kester, Jr.
3,938,772 A 2/1976 Andrusiak
3,958,786 A 5/1976 Mann

Primary Examiner—Brian N Vinson
(74) *Attorney, Agent, or Firm*—William W. Cochran;
Cochran Freund & Young LLC

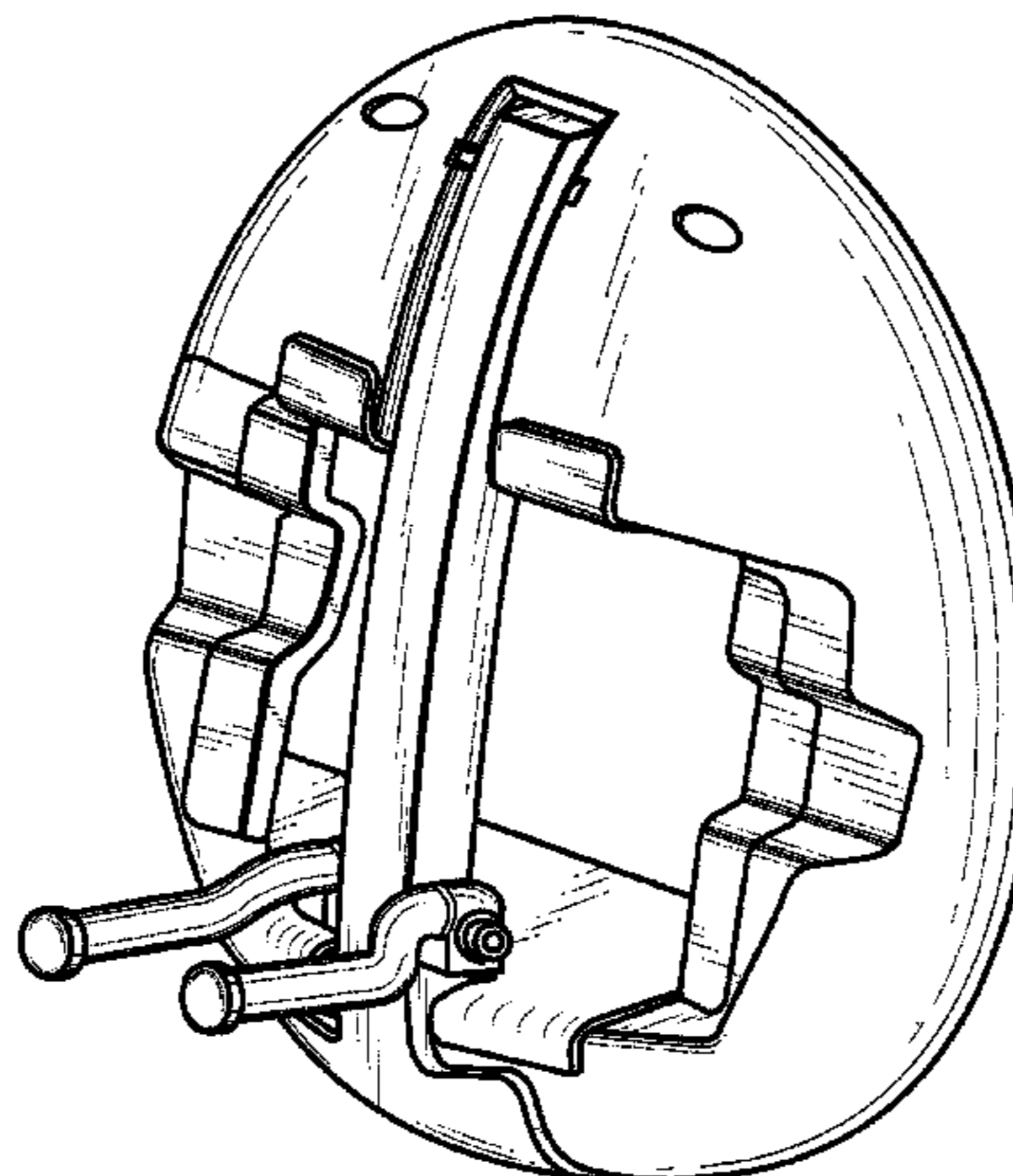
(57) **CLAIM**

The ornamental design for a guitar stand, as shown and described.

DESCRIPTION

FIG. 1 is an isometric view of a guitar stand showing my new design.
FIG. 2 is a top view thereof.
FIG. 3 is a front view thereof.
FIG. 4 is a right side view thereof.
FIG. 5 is a left side view thereof.
FIG. 6 is a rear view thereof; and,
FIG. 7 is a bottom view thereof.

1 Claim, 7 Drawing Sheets



US D595,077 S

Page 2

U.S. PATENT DOCUMENTS

4,807,837 A	2/1989	Gawlik	5,836,552 A	11/1998	Yu	
4,890,531 A	1/1990	Tischer	5,852,250 A	12/1998	Cha	
4,923,156 A	5/1990	Linneusson	D407,240 S	3/1999	Payne	
5,029,796 A	7/1991	Schoenig	D408,179 S	4/1999	Rellinger	
5,037,057 A	8/1991	Andrews	D408,653 S	4/1999	Dotson	
5,060,894 A	10/1991	Hillinger	D411,698 S	6/1999	Kalayjian	
5,114,111 A	5/1992	Andrews	5,934,628 A	8/1999	Bosnakovic	
D329,342 S	9/1992	Schoenig	5,957,417 A	9/1999	Yu	
5,165,635 A	11/1992	Hoshino	5,959,225 A	9/1999	Hsu	
D332,882 S	2/1993	Graves	D414,962 S	10/1999	Welsh	
5,197,701 A	3/1993	Olson	5,973,244 A	10/1999	McCulloch	
5,213,296 A	5/1993	Lee	6,005,176 A	12/1999	Yu	
5,340,066 A	8/1994	Ditch	D419,707 S	1/2000	Tierney	
5,350,143 A	9/1994	Hoshino	6,015,121 A	1/2000	Reid	
D353,729 S	12/1994	MacOwan	D421,447 S	3/2000	Eason et al.	
5,375,497 A	12/1994	Pirchio	6,036,159 A	3/2000	Yu	
5,383,634 A	1/1995	Liao	6,113,040 A	9/2000	Yu	
D356,901 S	4/1995	Schoenig et al.	6,121,527 A	9/2000	Hamm	
D357,828 S	5/1995	Liao	6,127,612 A	10/2000	Yu	
5,454,473 A	10/1995	Hennessey	D435,365 S	12/2000	Eason	
5,497,689 A	3/1996	Hoshino	6,209,829 B1	4/2001	Yu	
5,505,413 A	4/1996	Hennessey	6,281,417 B1	8/2001	Ladao	
D370,369 S	6/1996	Nordstrom	6,283,421 B1	9/2001	Eason	
D375,003 S	10/1996	Nordstrom	6,323,405 B1	11/2001	Yu	
5,664,756 A	9/1997	Liao	6,375,135 B1	4/2002	Eason	
5,692,719 A	12/1997	Shepherd	6,439,532 B1	8/2002	Yu	
D389,341 S	1/1998	Danner	6,513,768 B1	2/2003	Hsieh	
5,713,547 A	2/1998	Yu	6,682,042 B2	1/2004	Anderson	
D392,123 S	3/1998	Lynch	D509,162 S	9/2005	Barnes	
5,726,369 A	3/1998	Gilday	D550,015 S *	9/2007	Thrall	D6/572
5,744,735 A	4/1998	Liao	D567,560 S *	4/2008	Byers	D6/553
D394,764 S	6/1998	Nordstrom	D575,090 S *	8/2008	Van Beuningen	D6/566
D396,579 S	8/1998	Kalayjian	2002/0070319 A1	6/2002	Yu	
D400,734 S	11/1998	Dotson	2002/0088914 A1	7/2002	Yu	

* cited by examiner

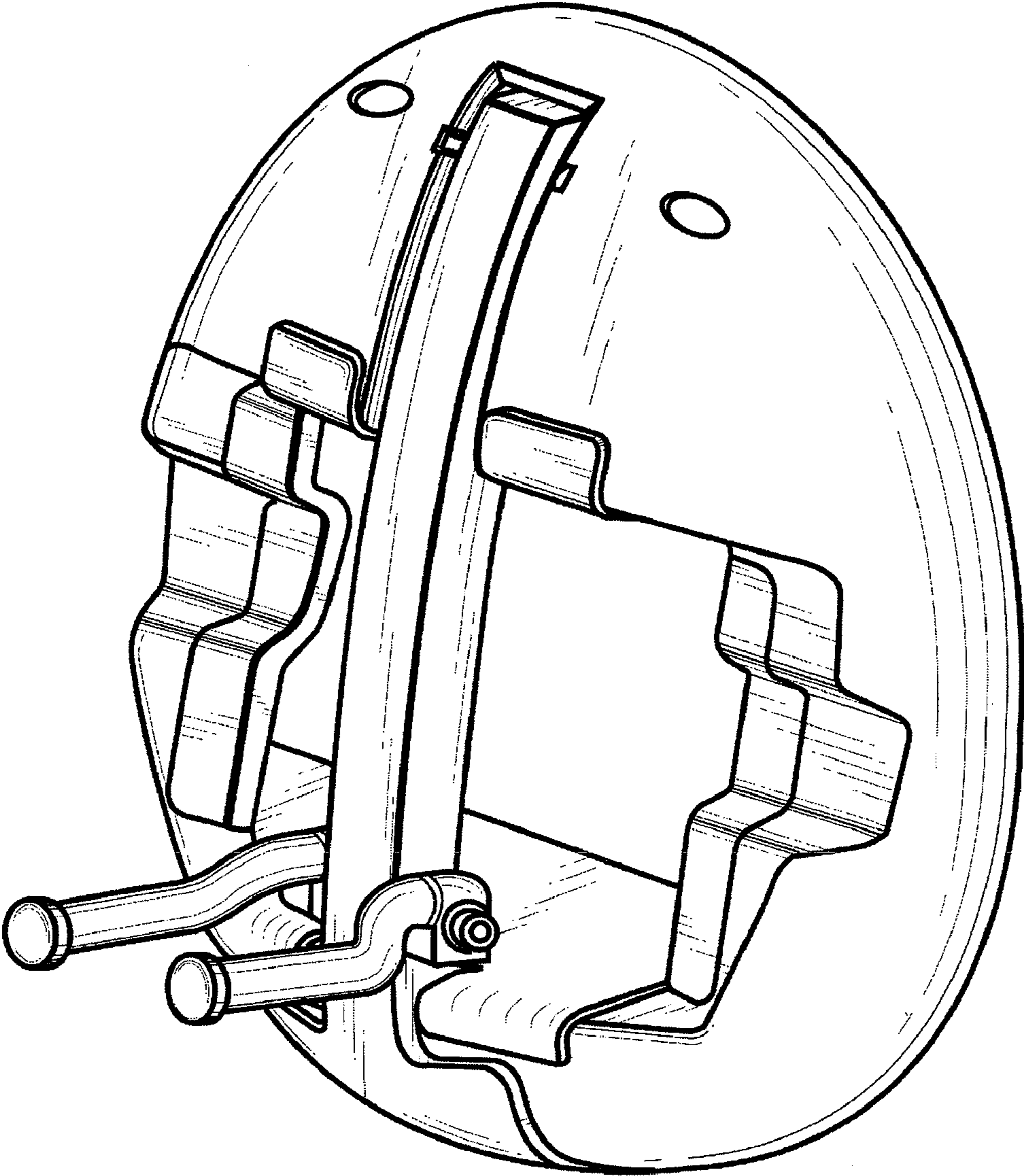


FIG. 1

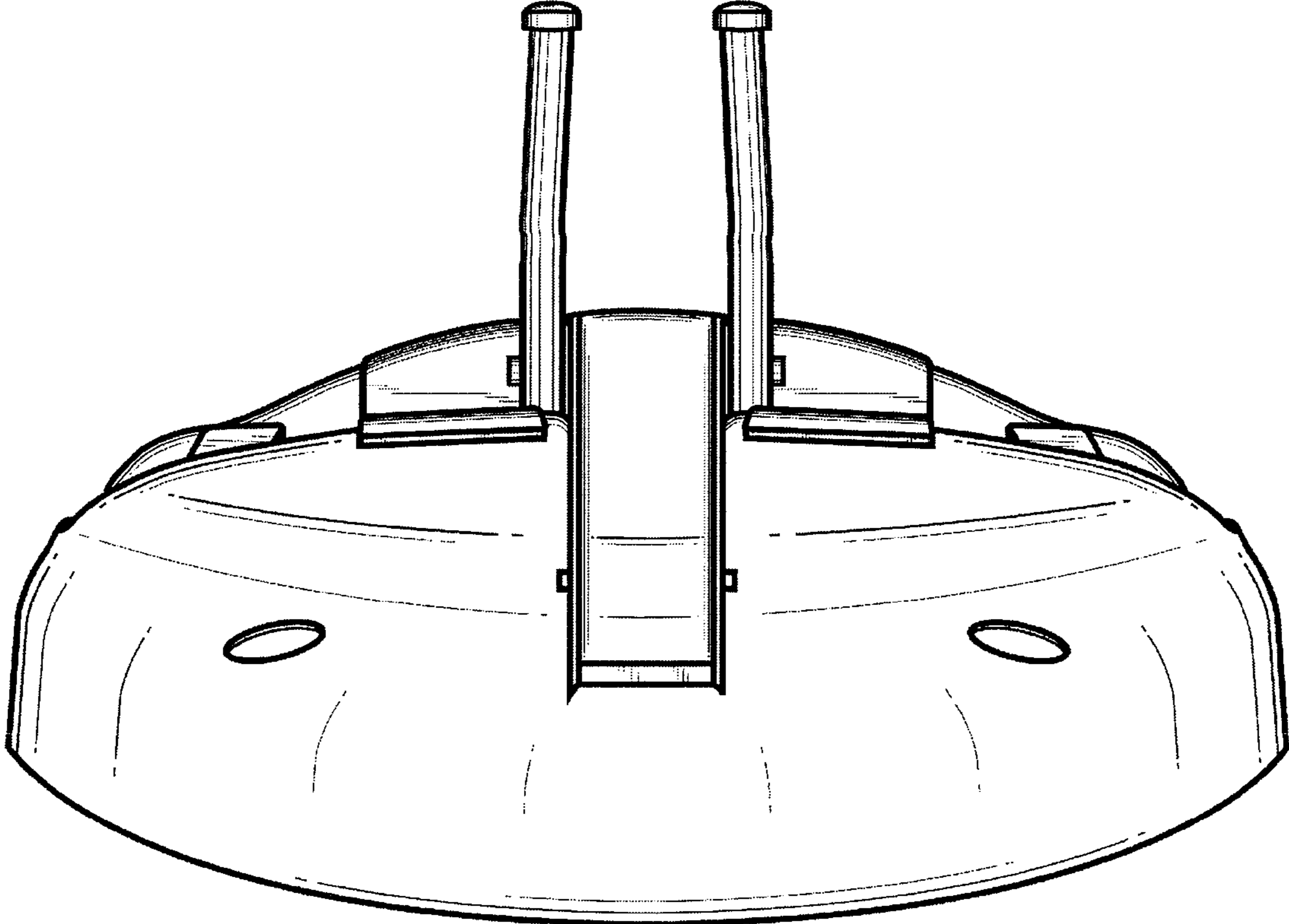


FIG.2

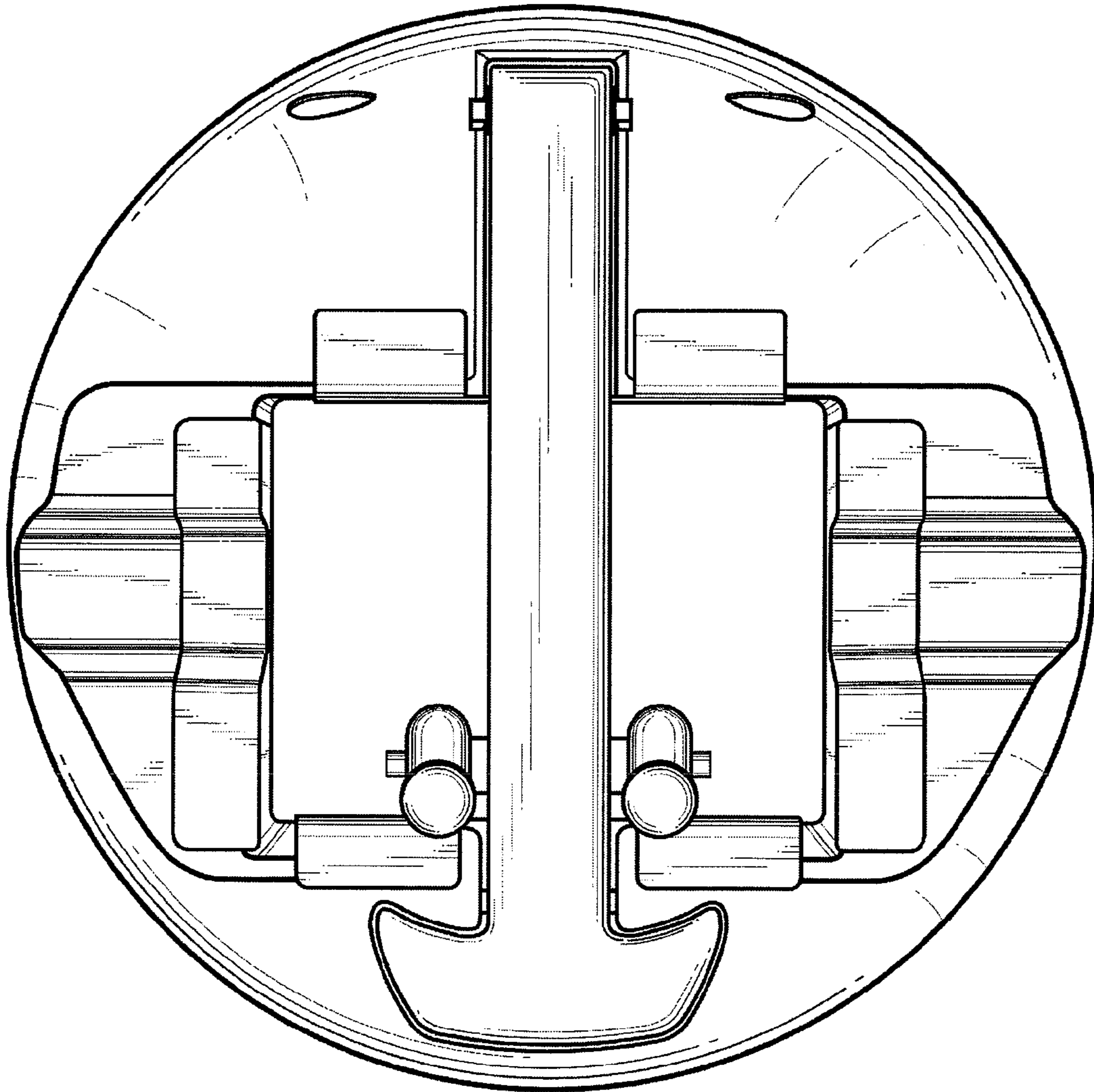


FIG. 3

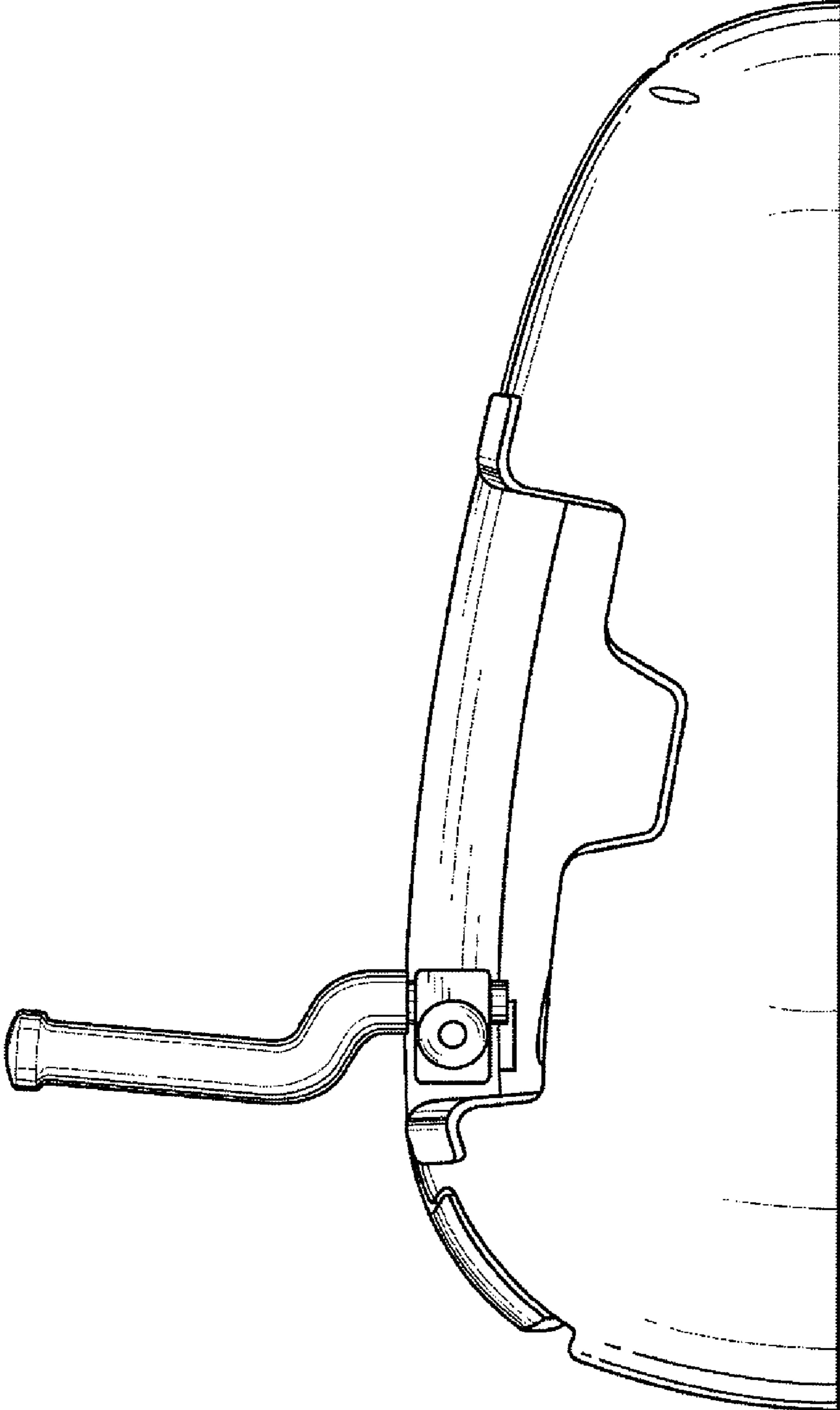


FIG. 4

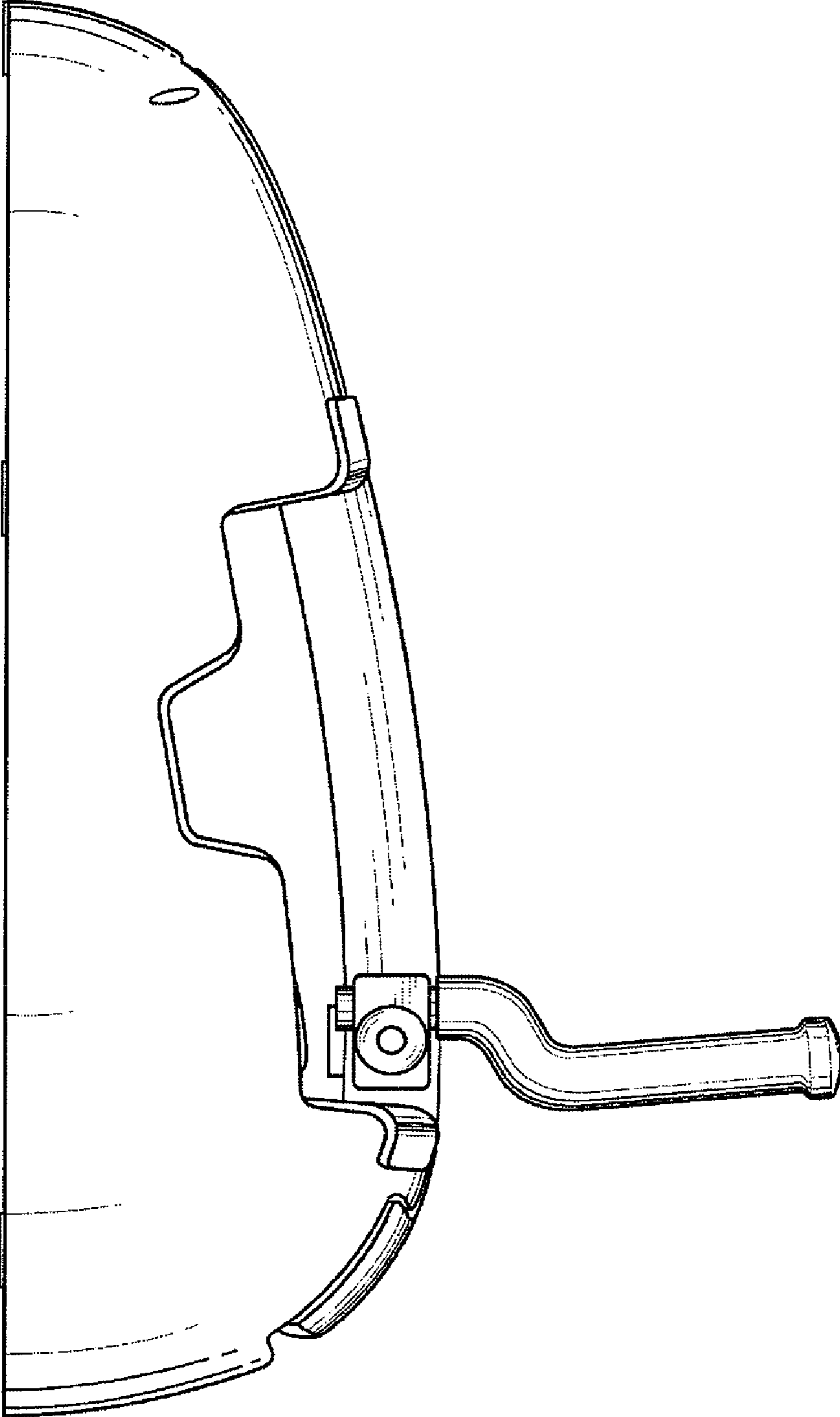


FIG. 5

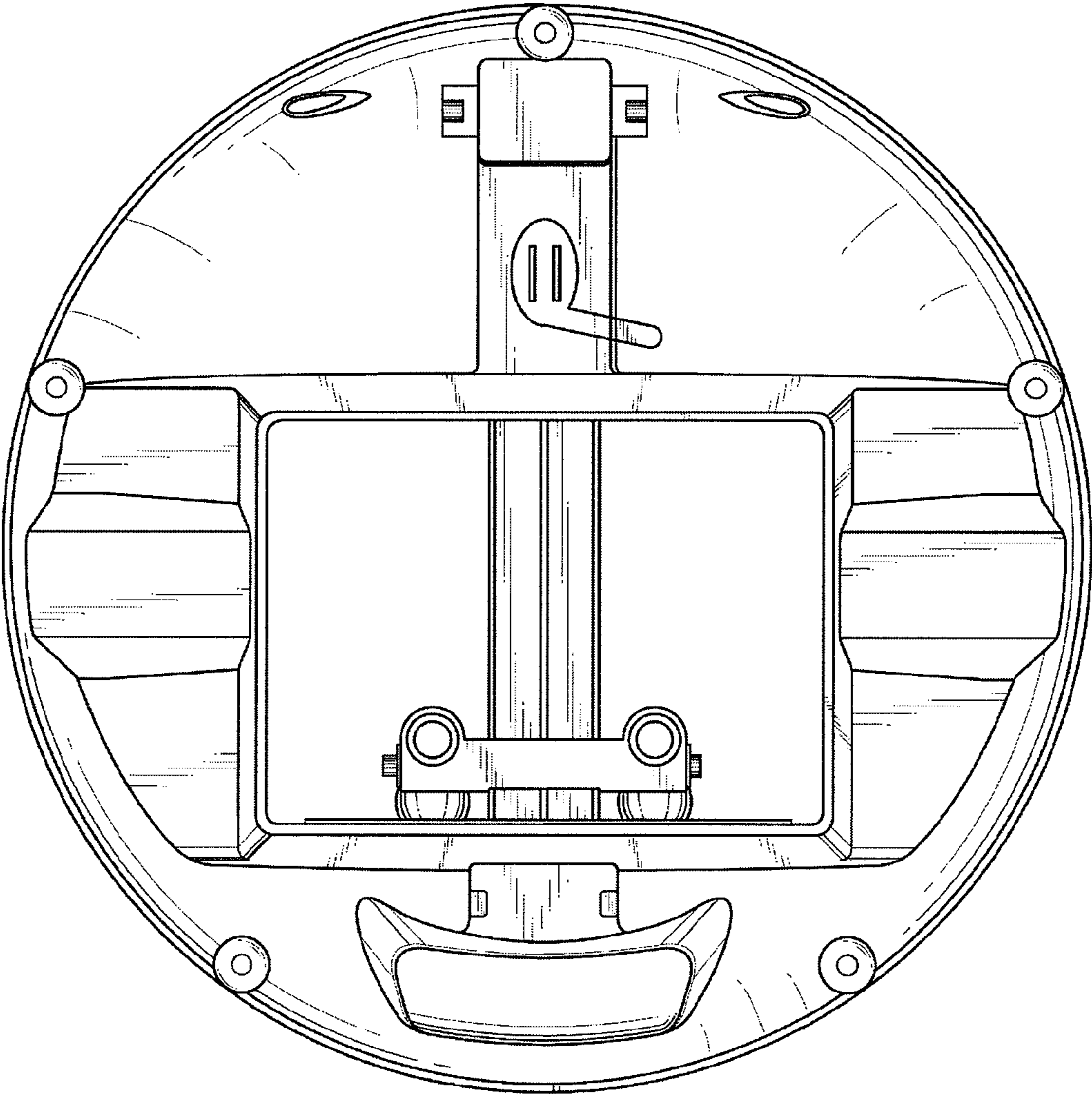


FIG. 6

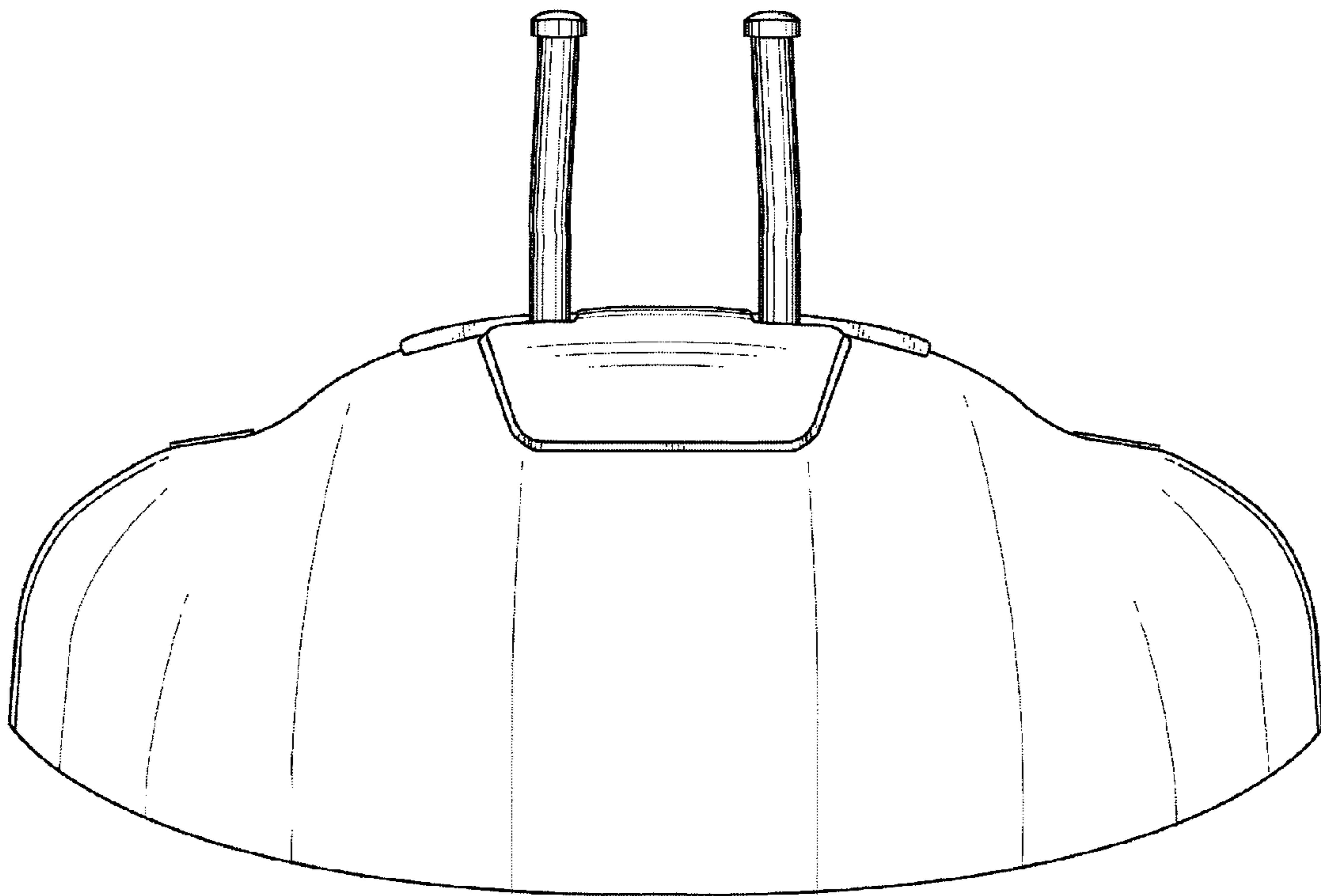


FIG. 7