

US00D595076S

(12) **United States Design Patent**
Snider

(10) **Patent No.:** **US D595,076 S**

(45) **Date of Patent:** **** Jun. 30, 2009**

(54) **SHOWER CADDY WITH OVAL SHELVES**

D572,601 S * 7/2008 Chang D6/566

(75) Inventor: **Martin Snider**, New City, NY (US)

* cited by examiner

(73) Assignee: **MSA Products, Inc.**, Nyack, NY (US)

Primary Examiner—Brian N Vinson

(74) *Attorney, Agent, or Firm*—Gerald E. Hespos; Anthony J. Casella

(**) Term: **14 Years**

(21) Appl. No.: **29/332,761**

(57) **CLAIM**

(22) Filed: **Mar. 9, 2009**

The ornamental design for a shower caddy with oval shelves, as shown and described.

(51) **LOC (9) Cl.** **23-02**

(52) **U.S. Cl.** **D6/525**

(58) **Field of Classification Search** D6/524,
D6/525, 566, 536, 540; 211/13.1, 74, 71.01,
211/86.01, 75, 88.01, 90.01, 90.03, 106,
211/119, 126.1, 133.5, 181.1, 134
See application file for complete search history.

DESCRIPTION

FIG. 1 is a perspective view of a shower caddy with oval shelves in accordance with my design;

FIG. 2 is a top plan view thereof;

FIG. 3 is a front elevational view thereof;

FIG. 4 is a side elevational view as seen from the right side in FIG. 1, with the left side elevational view being a mirror image;

FIG. 5 is a rear view; and,

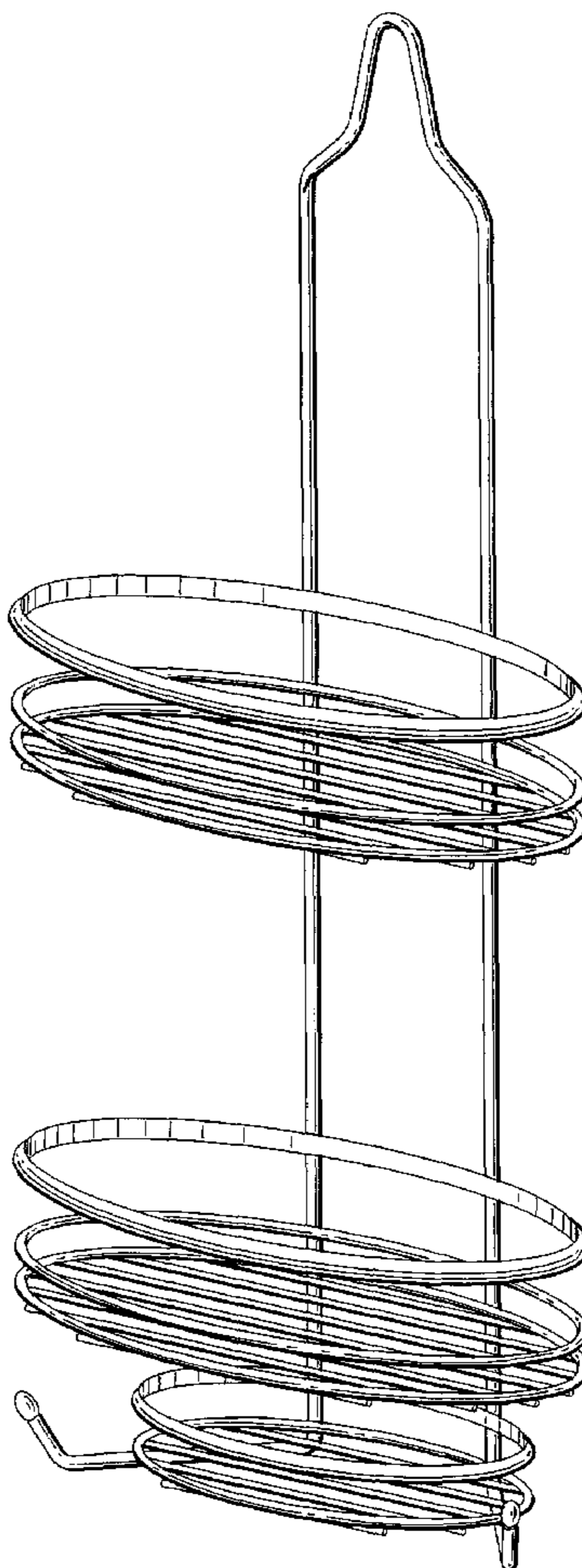
FIG. 6 is a bottom plan view.

(56) **References Cited**

U.S. PATENT DOCUMENTS

D512,861 S *	12/2005	Rosen	D6/525
D552,391 S *	10/2007	Rosen	D6/525
D566,439 S *	4/2008	Dretzka	D6/525
D568,657 S *	5/2008	Snider	D6/525

1 Claim, 3 Drawing Sheets



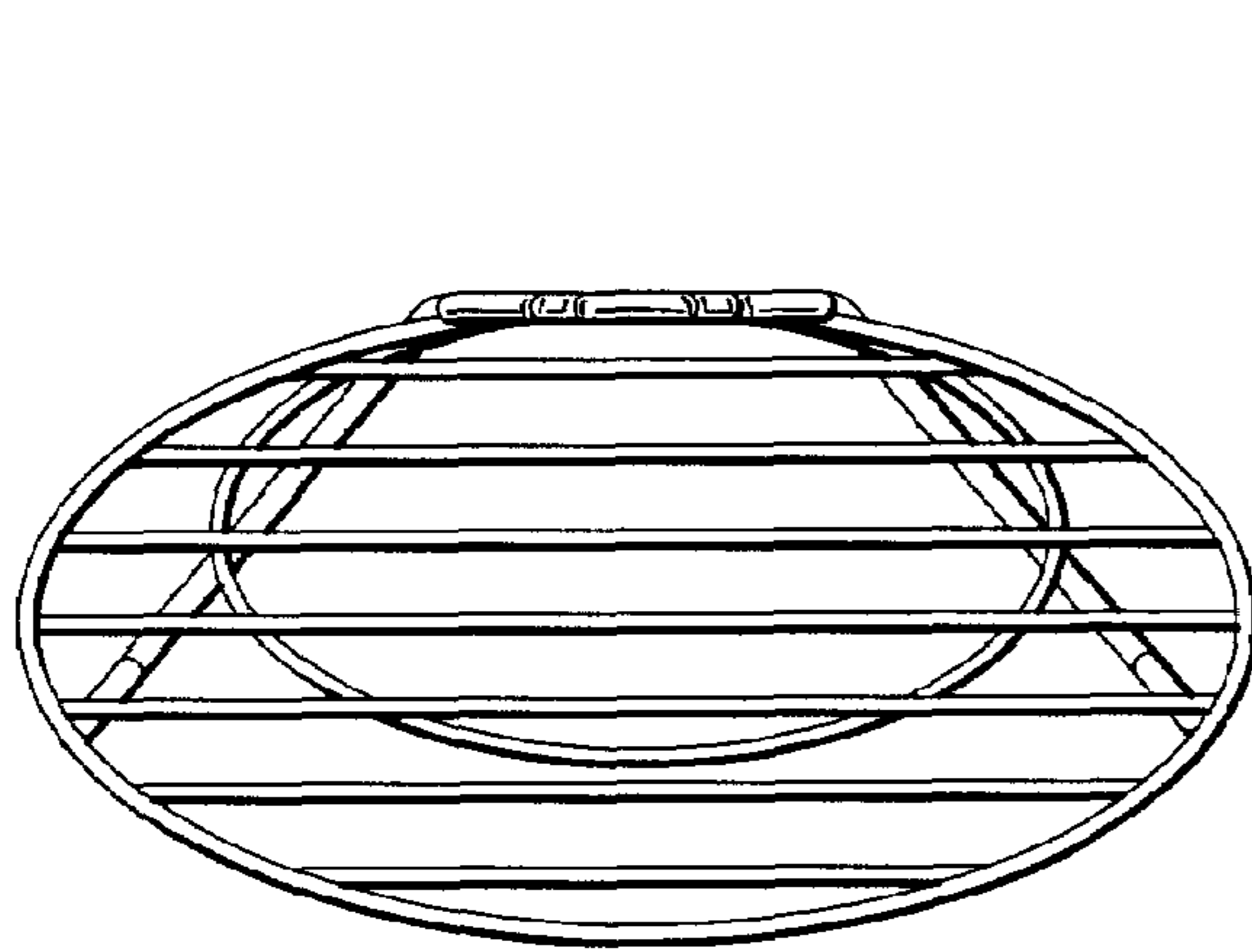


FIG. 2

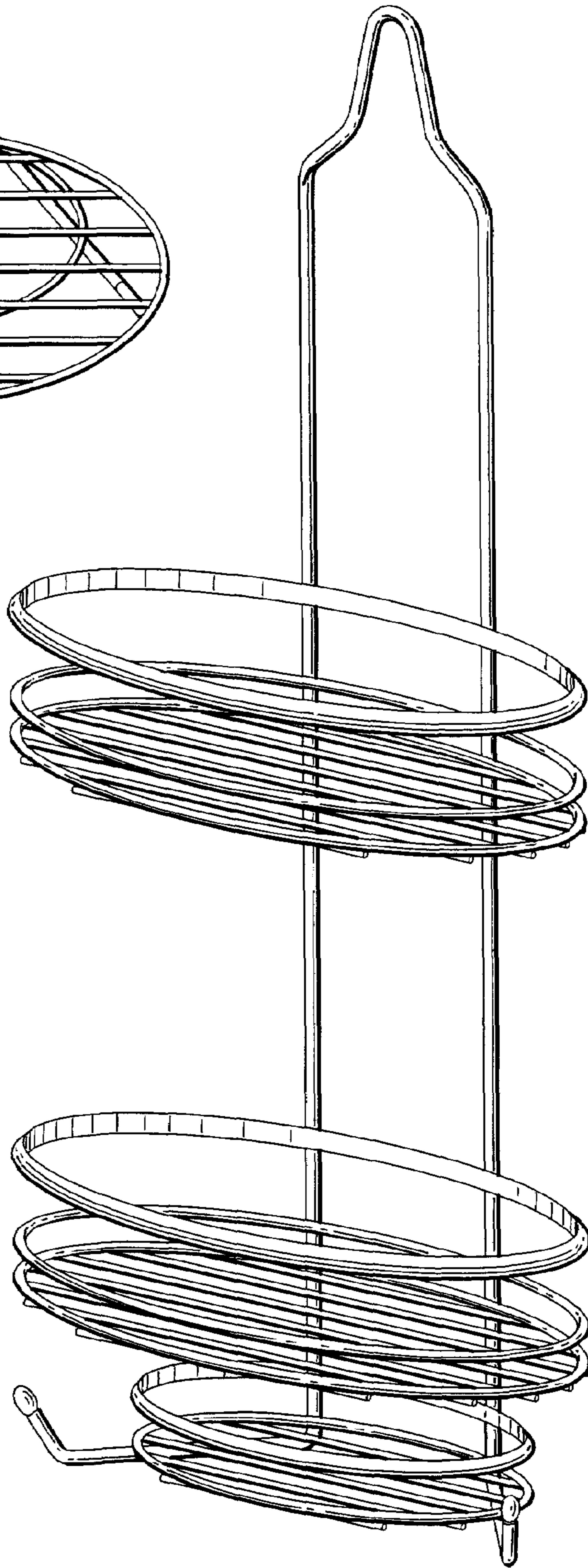


FIG. 1

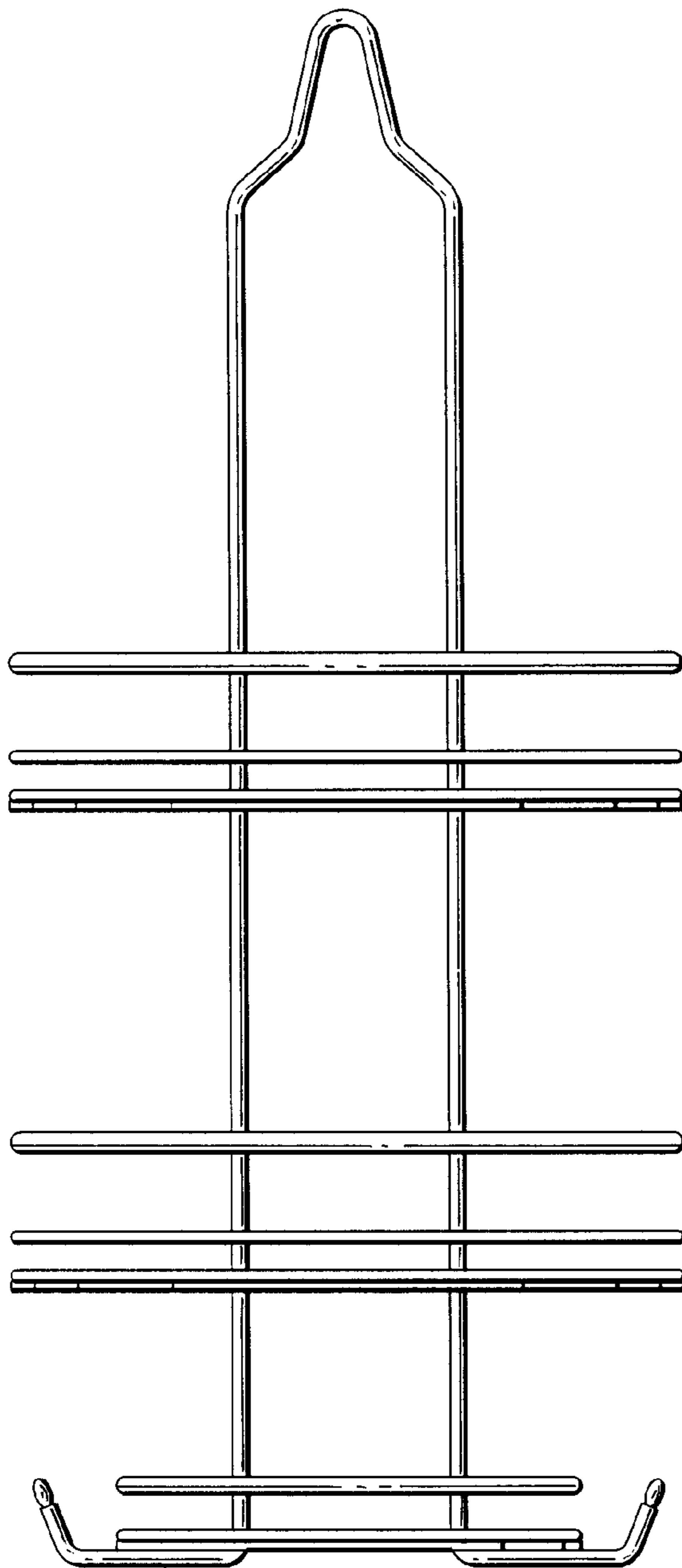


FIG. 3

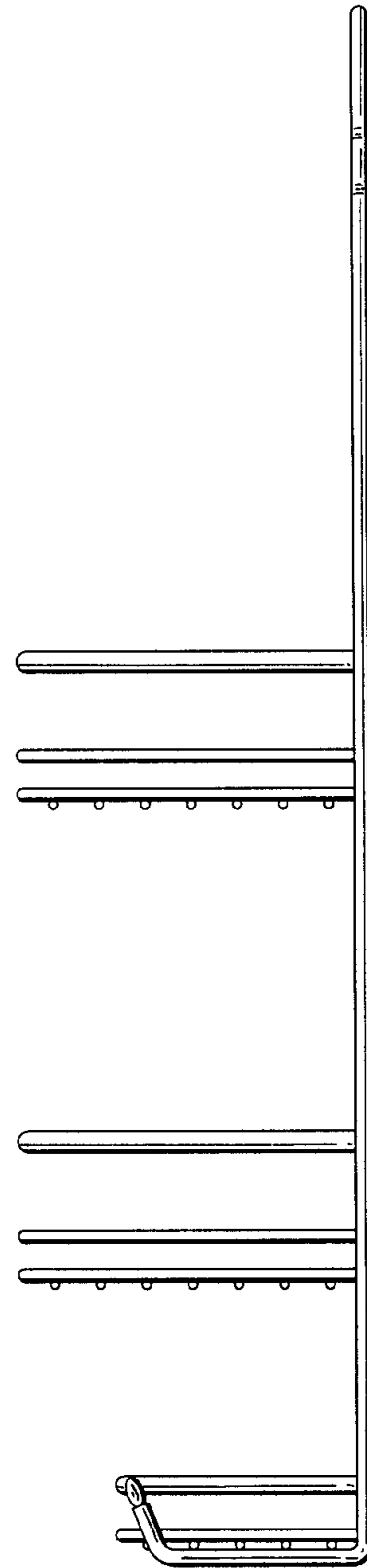


FIG. 4

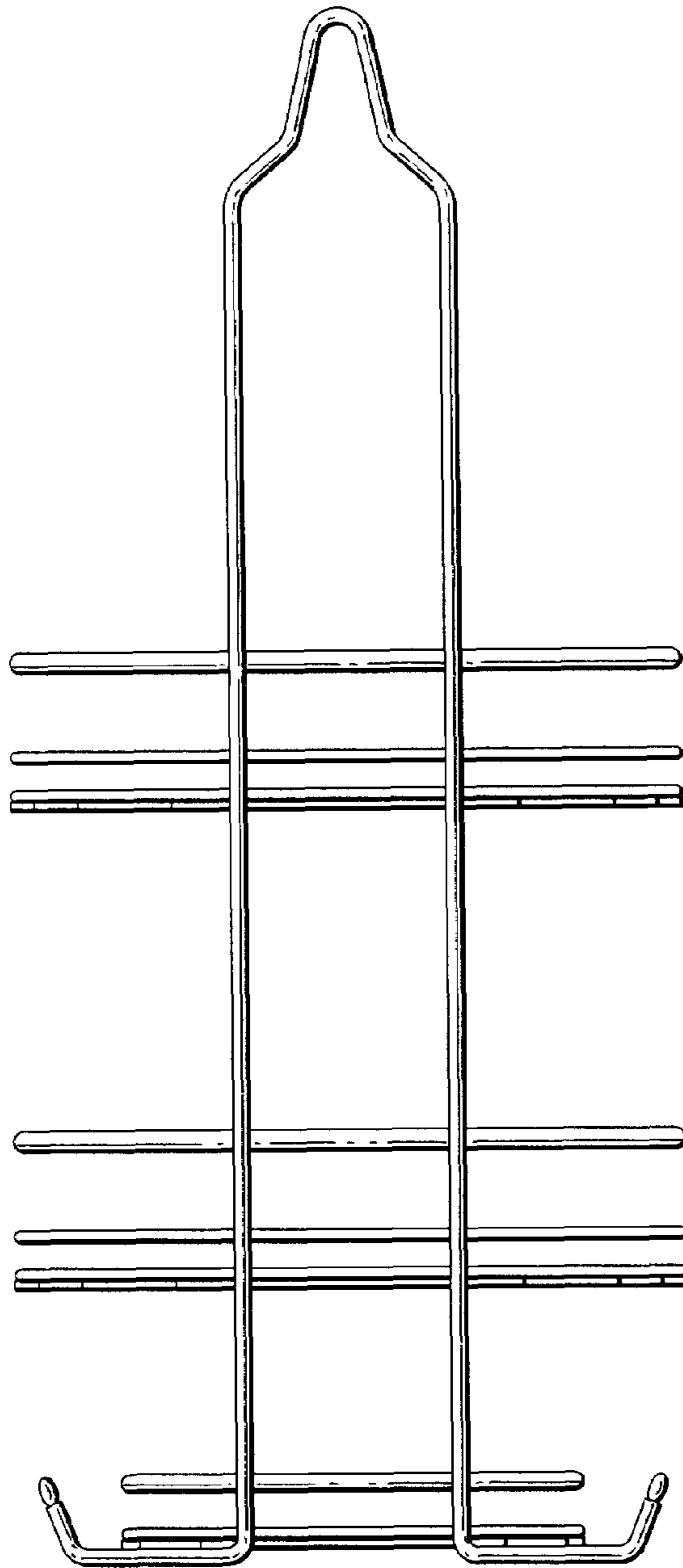


FIG. 5

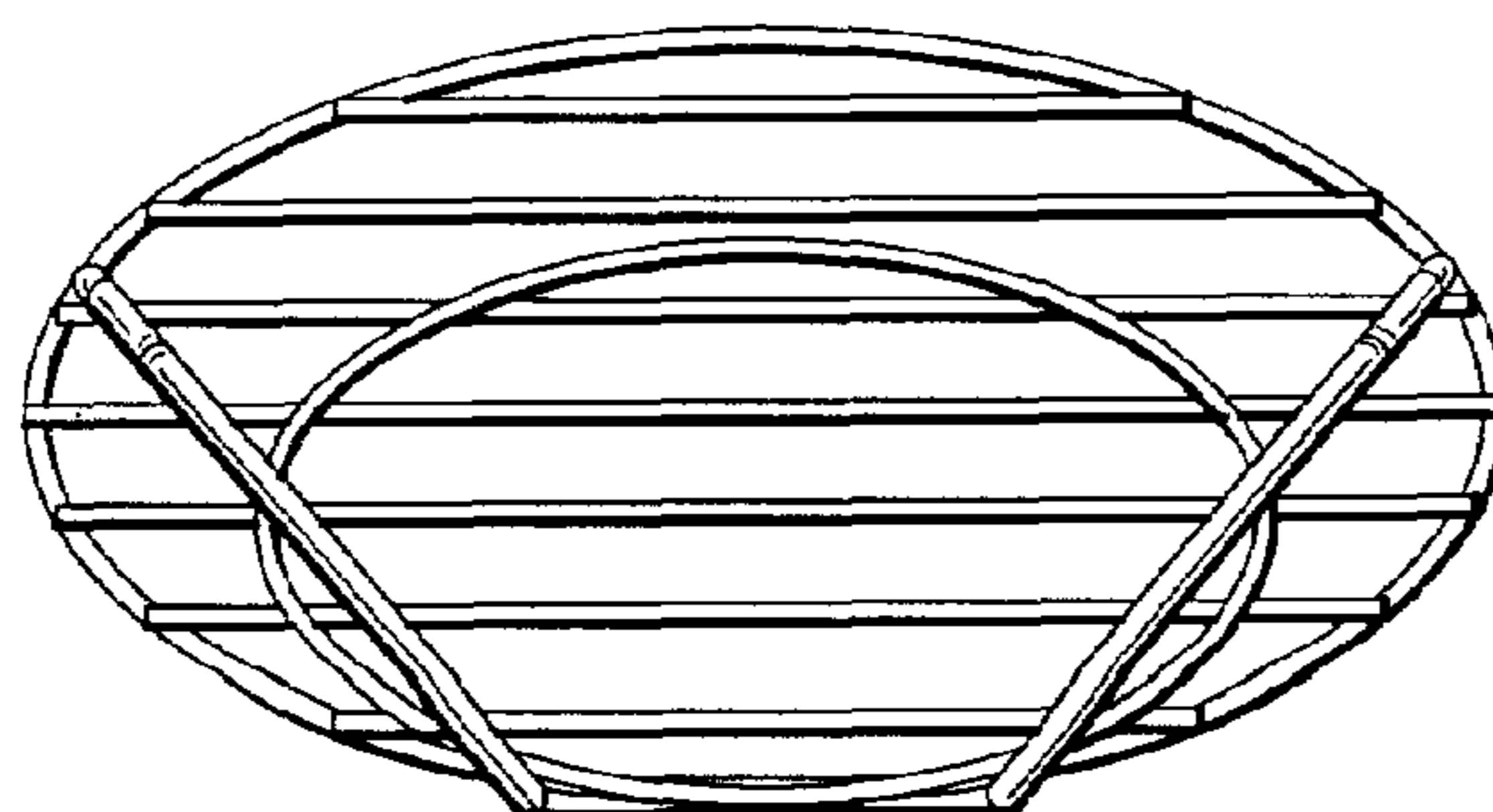


FIG. 6