



US00D595070S

(12) **United States Design Patent**
Wacker

(10) **Patent No.:** **US D595,070 S**
(45) **Date of Patent:** **** Jun. 30, 2009**

(54) **PEDESTAL FOR A HEIGHT-ADJUSTABLE WORK STATION**

(75) Inventor: **Robert W. Wacker**, Plymouth, WI (US)

(73) Assignee: **Mayline Company, LLC**, Sheboygan, WI (US)

(**) Term: **14 Years**

(21) Appl. No.: **29/303,409**

(22) Filed: **Feb. 8, 2008**

(51) **LOC (9) Cl.** **06-06**

(52) **U.S. Cl.** **D6/496**

(58) **Field of Classification Search** D6/349,
D6/364–366, 374, 397, 419–420, 432–448,
D6/477, 480–489, 491, 495–499; D24/183;
40/643; 105/20, 50.01–50.02, 147; 108/150,
108/153.1, 155–156, 157.17; 248/188.1,
248/188.7–188.8, 188.91; 297/172, 461–462
See application file for complete search history.

(56) **References Cited**

U.S. PATENT DOCUMENTS

D184,996	S *	4/1959	Goldstein et al.	D6/397
3,608,462	A *	9/1971	Groshong	108/20
D246,880	S *	1/1978	Miola	D24/183
4,604,955	A *	8/1986	Fleischer et al.	108/147
D296,851	S *	7/1988	Kelley	D6/420
4,981,085	A *	1/1991	Watt	108/147
D353,287	S *	12/1994	Hemberger	D6/495
5,370,063	A *	12/1994	Childers	108/147
5,461,974	A *	10/1995	Reneau	108/147
5,598,788	A *	2/1997	Jonker	108/147
5,598,789	A *	2/1997	Jonker	108/147
D401,774	S *	12/1998	Burke et al.	D6/419
5,941,182	A *	8/1999	Greene	108/147
6,119,605	A *	9/2000	Agee	108/147
6,360,675	B1 *	3/2002	Jones	108/50.02
6,474,246	B2 *	11/2002	Hsu	108/147

6,571,720	B2 *	6/2003	Moore	108/147
6,595,144	B1 *	7/2003	Doyle	108/147
D482,900	S *	12/2003	DeJule et al.	D6/419
6,883,439	B1 *	4/2005	Moore	108/147
7,077,068	B1 *	7/2006	Agee	108/147
7,086,632	B2 *	8/2006	Hsieh	248/188.1
D548,496	S *	8/2007	Samtani	D6/486
2001/0015567	A1 *	8/2001	Tholkes et al.	297/172
2006/0096505	A1 *	5/2006	Sykes	108/50.01

FOREIGN PATENT DOCUMENTS

WO WO 2004/030495 * 4/2004

* cited by examiner

Primary Examiner—Caron Veynar

Assistant Examiner—Ricky Pham

(74) *Attorney, Agent, or Firm*—Andrus, Scales, Starke & Sawall, LLP

(57) **CLAIM**

The ornamental design for a pedestal for a height-adjustable work station, as shown and described.

DESCRIPTION

FIG. 1 is an isometric top view of a pedestal for a height-adjustable work station showing my new ornamental design;

FIG. 2 is a front view of the pedestal for a height-adjustable work station shown in FIG. 1;

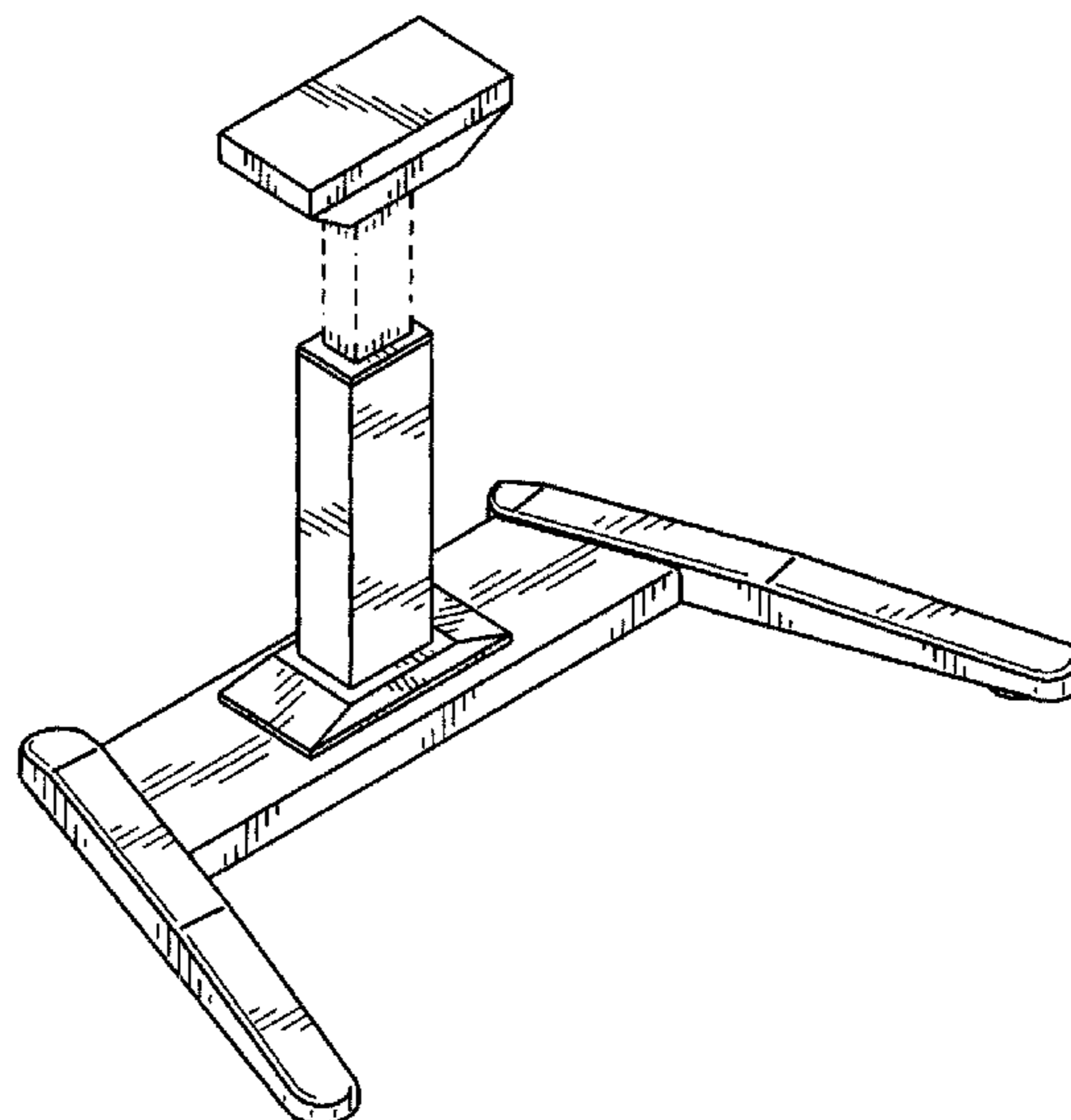
FIG. 3 is a view of the pedestal for a height-adjustable work station taken from the right side of FIG. 2;

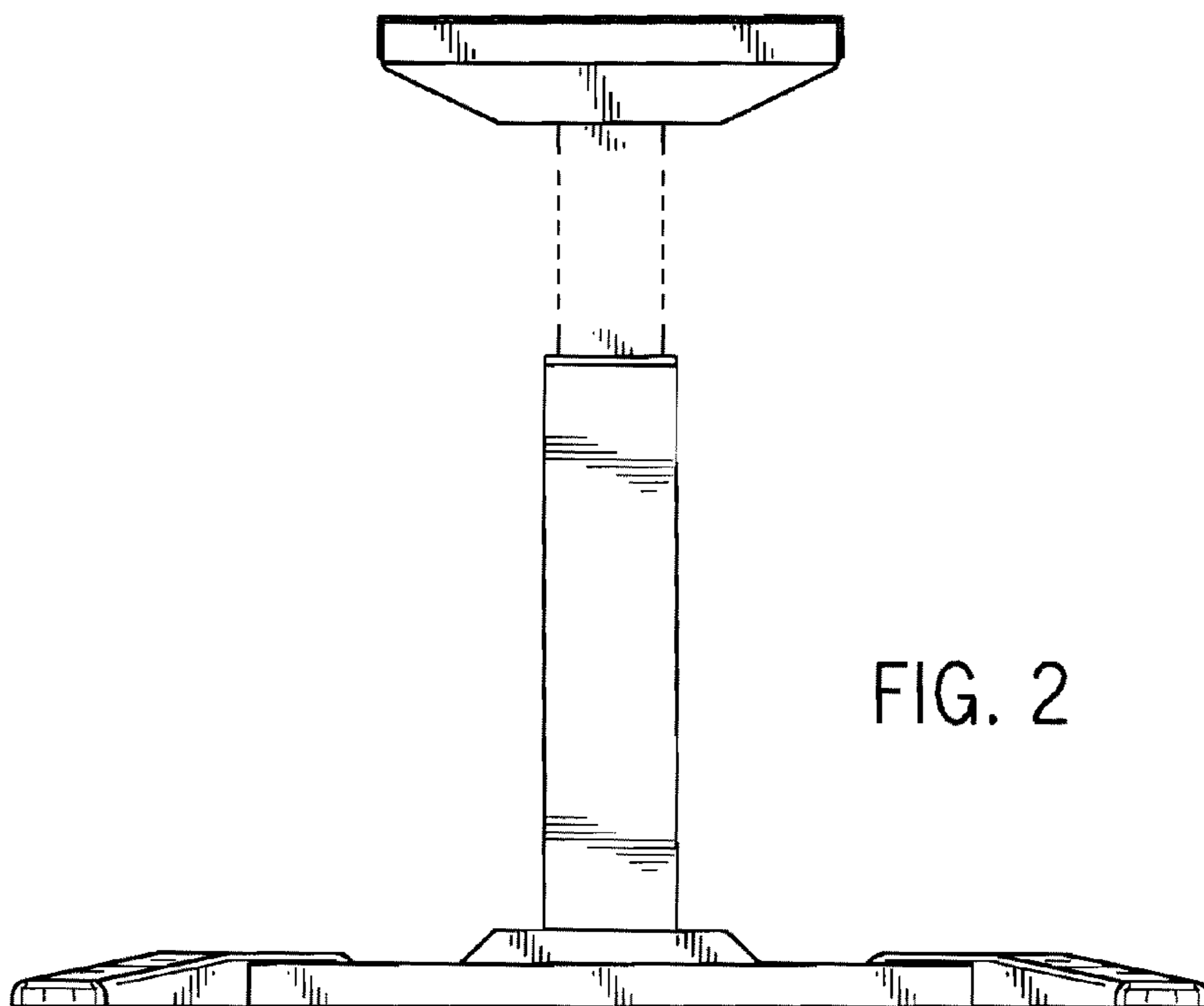
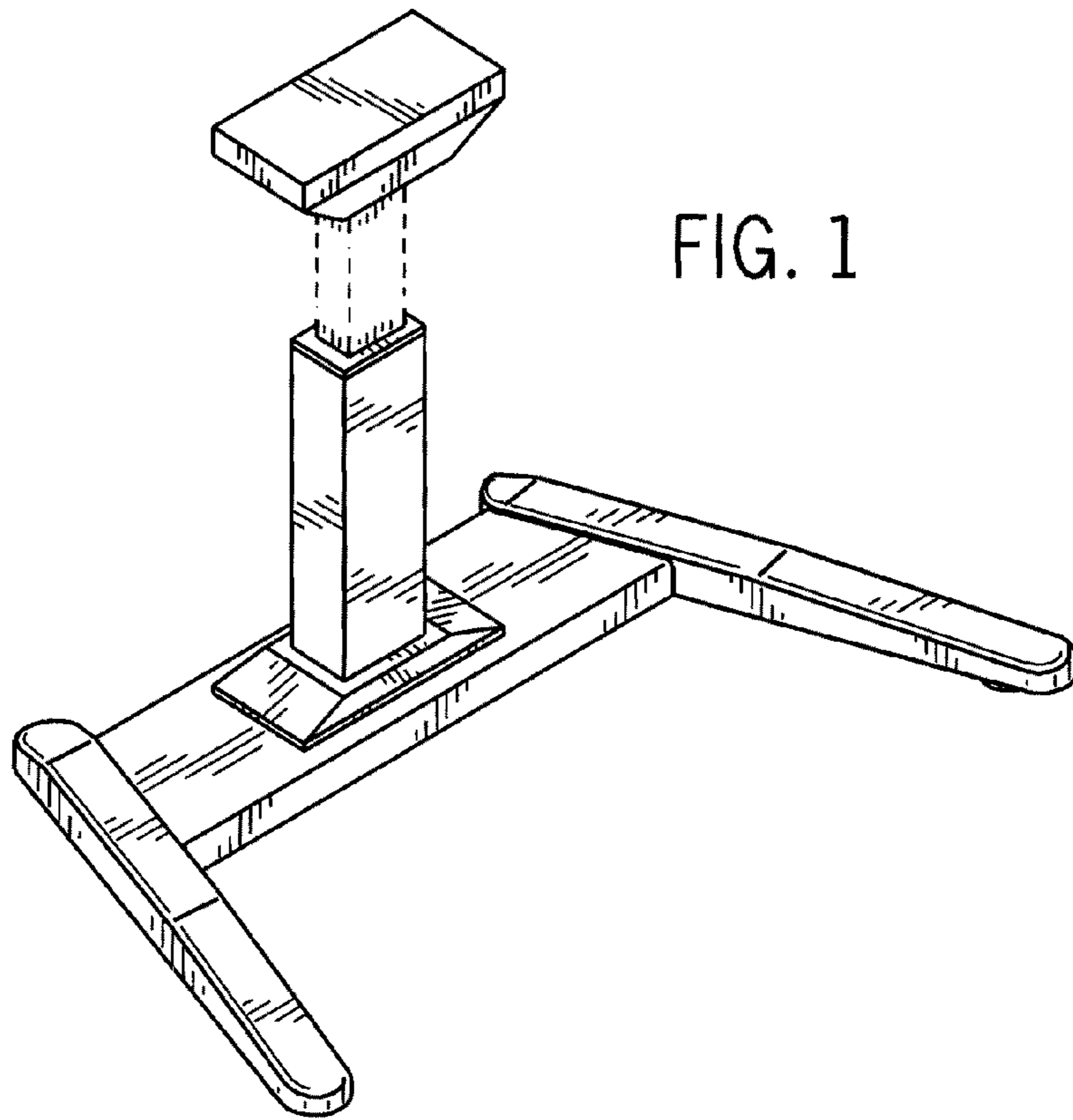
FIG. 4 is a top view of the pedestal for a height-adjustable work station shown in FIG. 2; and,

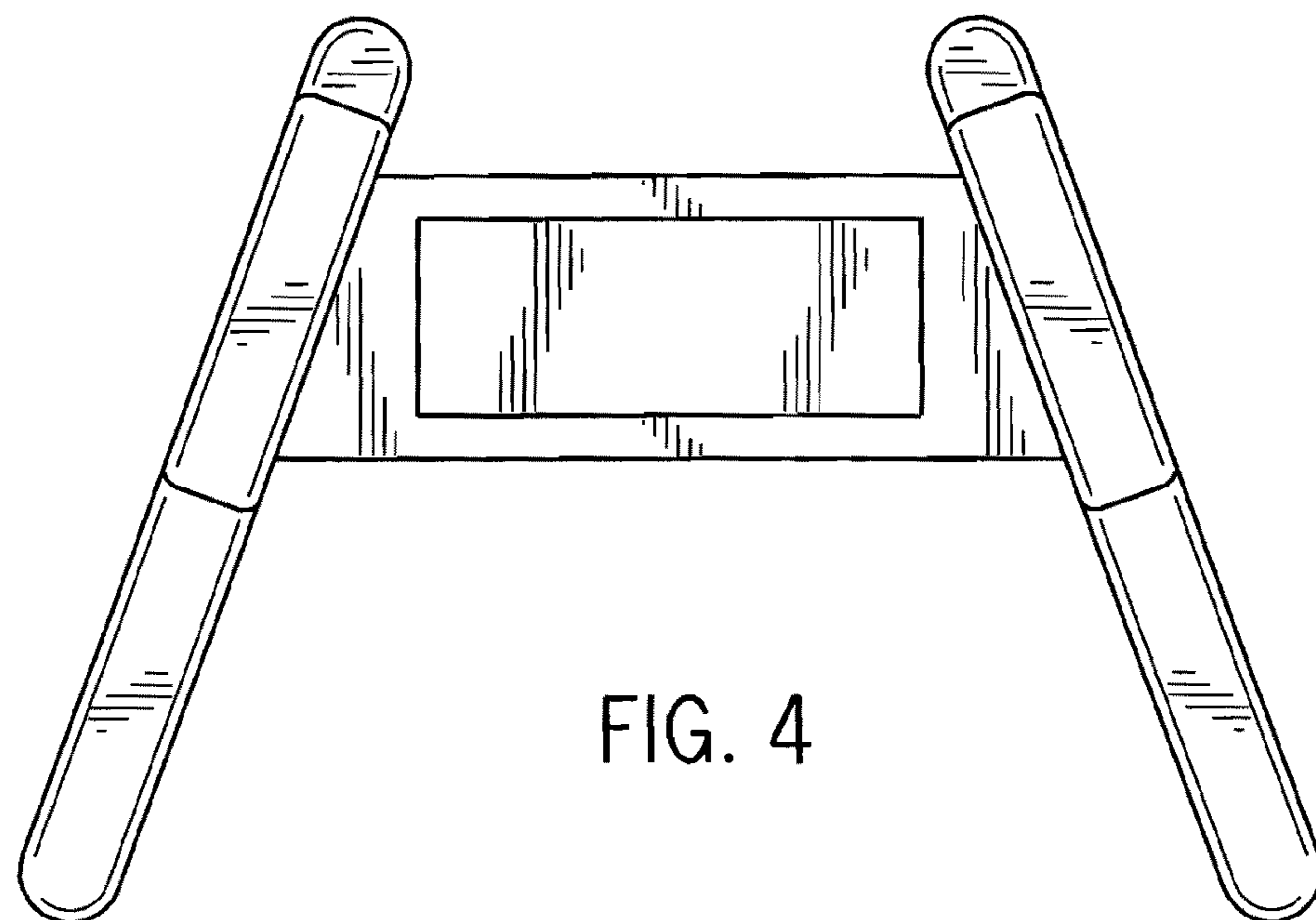
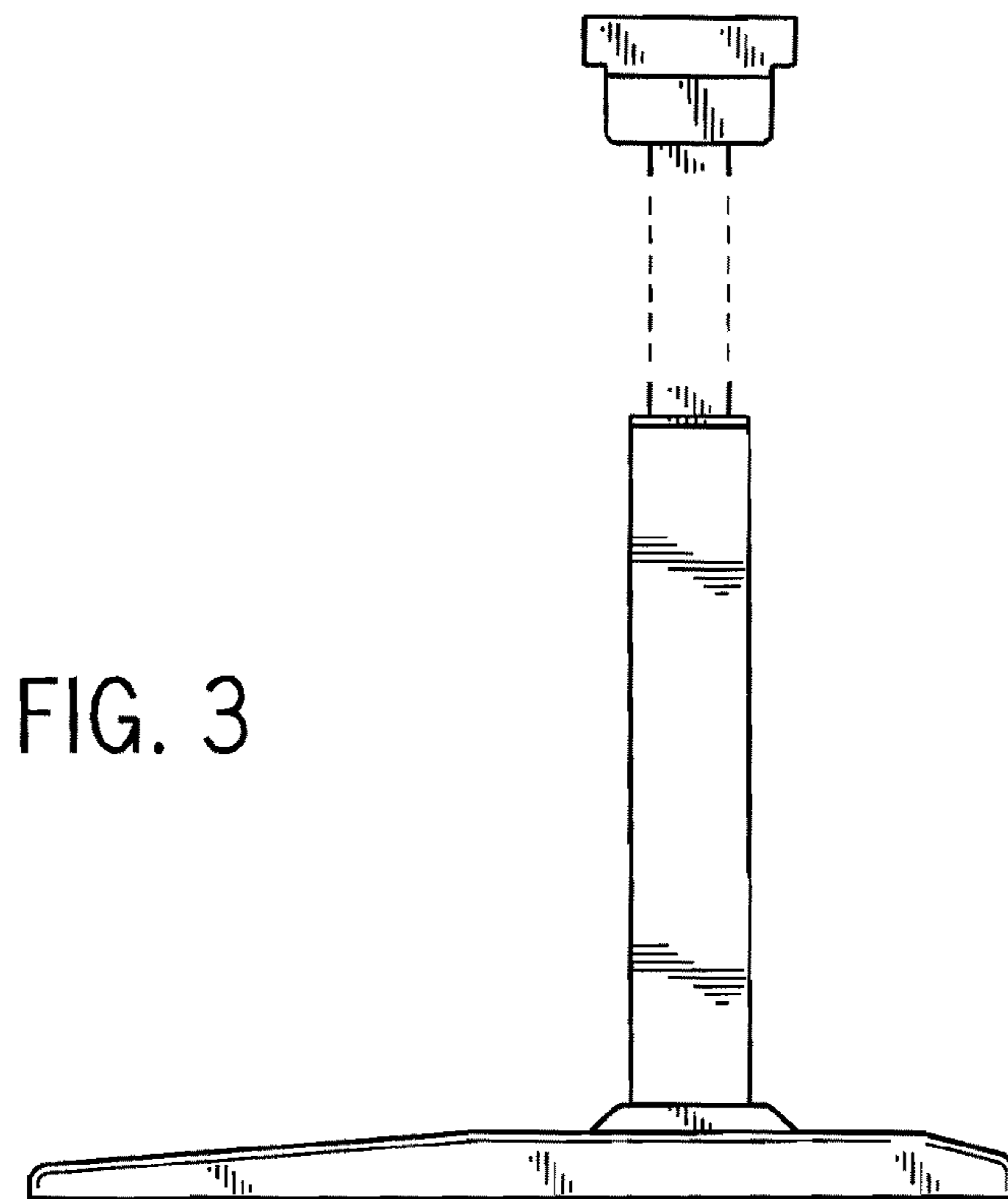
FIG. 5 is a rear view of the pedestal for a height-adjustable work station shown in FIG. 2.

The broken lines shown in the drawings are for illustrative purposes only and form no part of the claimed design.

1 Claim, 3 Drawing Sheets







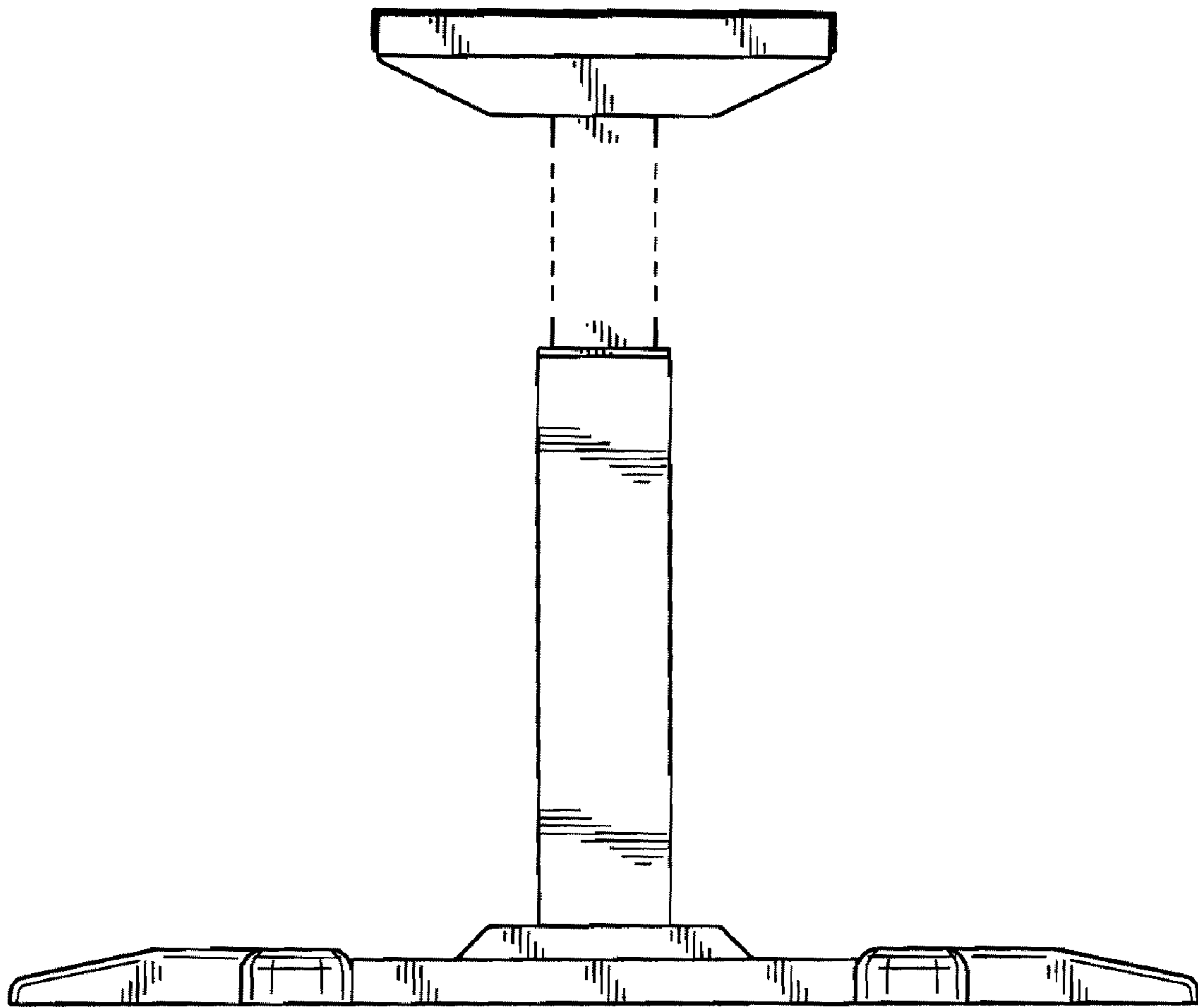


FIG. 5