



US00D595069S

(12) **United States Design Patent**  
**Berry et al.**

(10) **Patent No.:** **US D595,069 S**  
(45) **Date of Patent:** **\*\* Jun. 30, 2009**

(54) **RACKING BEAM**

(75) Inventors: **Paul Armstrong Berry**, Berowra Heights (AU); **Murray James Clarke**, Drummoyne (AU); **Stephen John Celati**, Concord West (AU); **Jonathan Han Xie**, Toongabbie (AU)

(73) Assignee: **Dematic Pty Ltd**, Belrose (AU)

(\*\*) Term: **14 Years**

(21) Appl. No.: **29/269,223**

(22) Filed: **Nov. 22, 2006**

(30) **Foreign Application Priority Data**

May 26, 2006 (AU) ..... 12335/06

(51) **LOC (9) Cl.** ..... **06-04**

(52) **U.S. Cl.** ..... **D6/491**

(58) **Field of Classification Search** ..... D6/449, D6/491; D8/349, 377, 382, 400, 403; 248/200, 248/300, 237, 208, 218.4; D25/102, 119–122, D25/136, 199, 126; 52/716.1–716.6  
See application file for complete search history.

(56) **References Cited**

**U.S. PATENT DOCUMENTS**

- 3,606,720 A \* 9/1971 Cookson ..... 52/714
- D351,988 S \* 11/1994 Gotcher ..... D8/403
- 5,555,695 A \* 9/1996 Patsy, Jr. .... 52/843
- D380,281 S \* 6/1997 Menz ..... D25/121
- D425,631 S \* 5/2000 Mohr ..... D15/32
- D441,876 S \* 5/2001 Eaton ..... D25/121
- 6,513,691 B1 \* 2/2003 Edgerly ..... 224/537
- 6,558,093 B1 \* 5/2003 Arnold et al. .... 410/30
- D475,470 S \* 6/2003 Oakley ..... D25/199
- D482,552 S \* 11/2003 Campbell et al. .... D6/509

- D489,830 S \* 5/2004 Barnett ..... D25/119
- D503,301 S \* 3/2005 Burch ..... D6/501
- D518,186 S \* 3/2006 Zarb ..... D25/119
- D538,151 S \* 3/2007 Berry et al. .... D8/403
- D541,094 S \* 4/2007 Yu et al. .... D6/580
- D566,825 S \* 4/2008 Lucero ..... D23/386
- D574,970 S \* 8/2008 Taylor et al. .... D25/121
- D575,139 S \* 8/2008 LePoire et al. .... D8/349

\* cited by examiner

*Primary Examiner*—Caron Veynar

*Assistant Examiner*—Kelley A Donnelly

(74) *Attorney, Agent, or Firm*—The Webb Law Firm

(57) **CLAIM**

The ornamental design for a racking beam, as shown and described.

**DESCRIPTION**

FIG. 1 is a top perspective view of a racking beam in accordance with the present invention;

FIG. 2 is a bottom perspective view thereof;

FIG. 3 is a rear perspective view thereof;

FIG. 4 is a left side view thereof;

FIG. 5 is a front view thereof;

FIG. 6 is a top view thereof;

FIG. 7 is a right side view thereof; and,

FIG. 8 is a bottom view thereof.

The broken lines shown in FIGS. 1, 2, 3, 4, 7 and 8 are for environmental purposes only and form no part of the claimed design.

The broken away lines in the center portion of the design in FIGS. 1–4 and 6–8 indicate that no particular length is claimed.

**1 Claim, 3 Drawing Sheets**

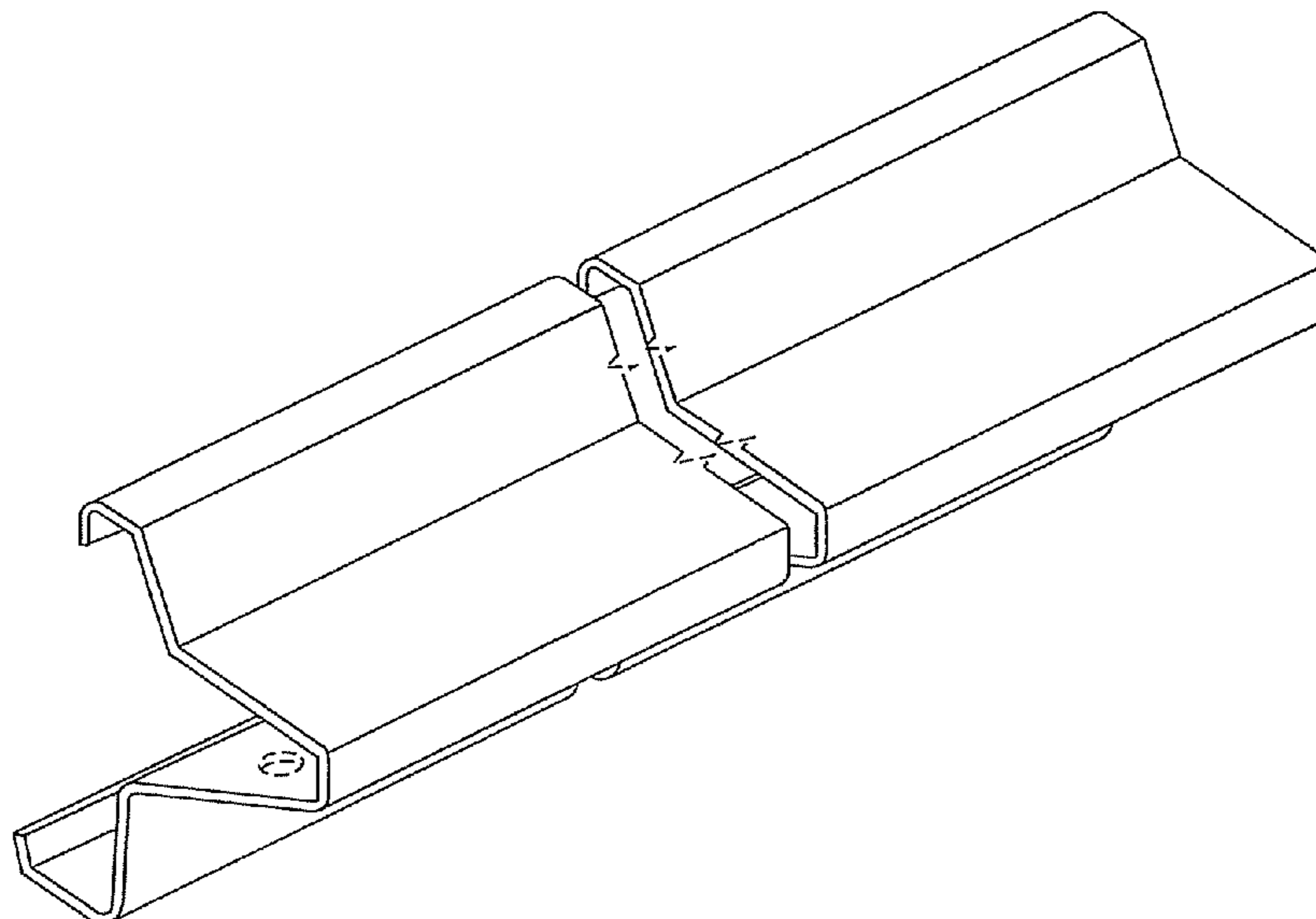


Fig. 1

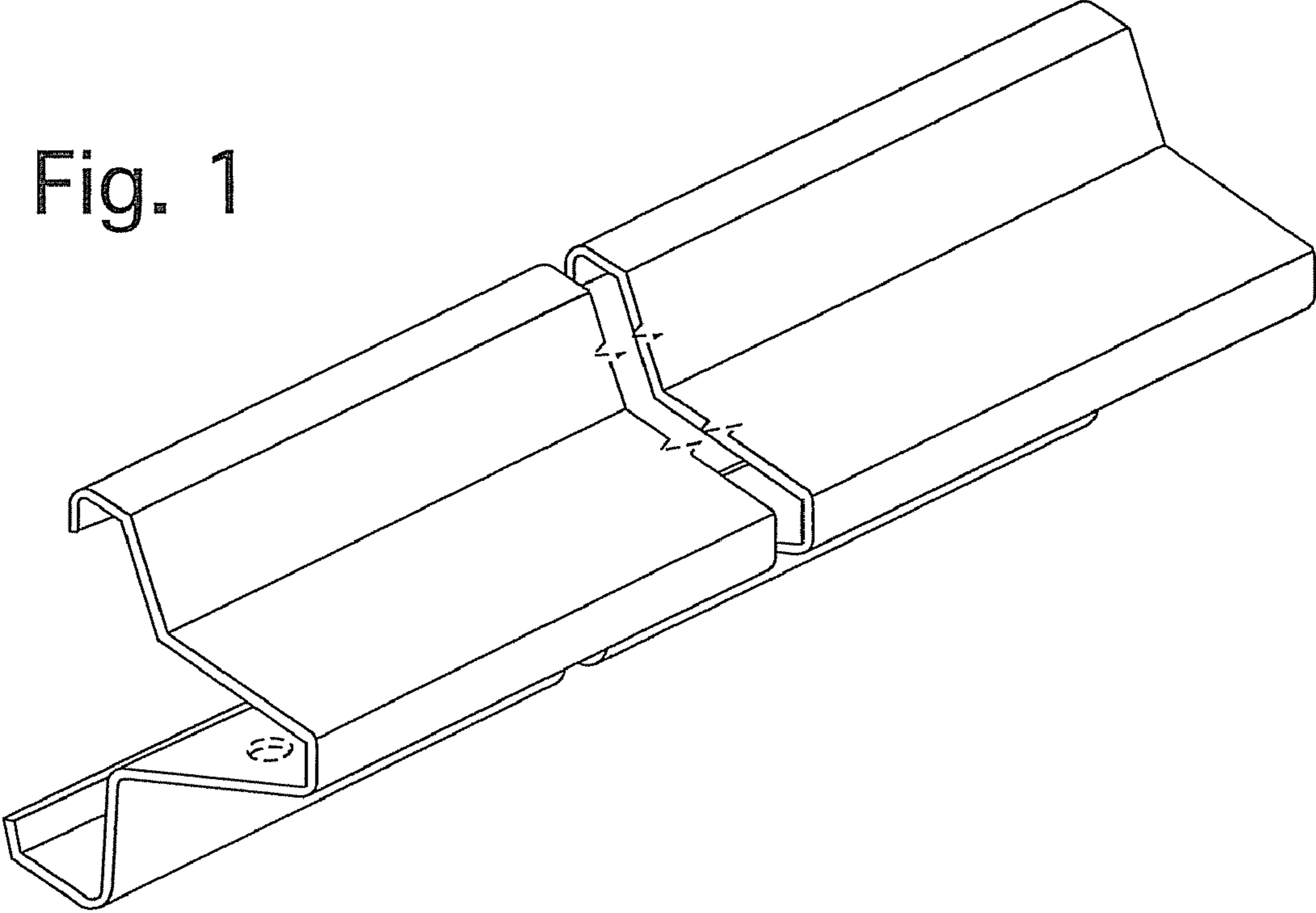


Fig. 2

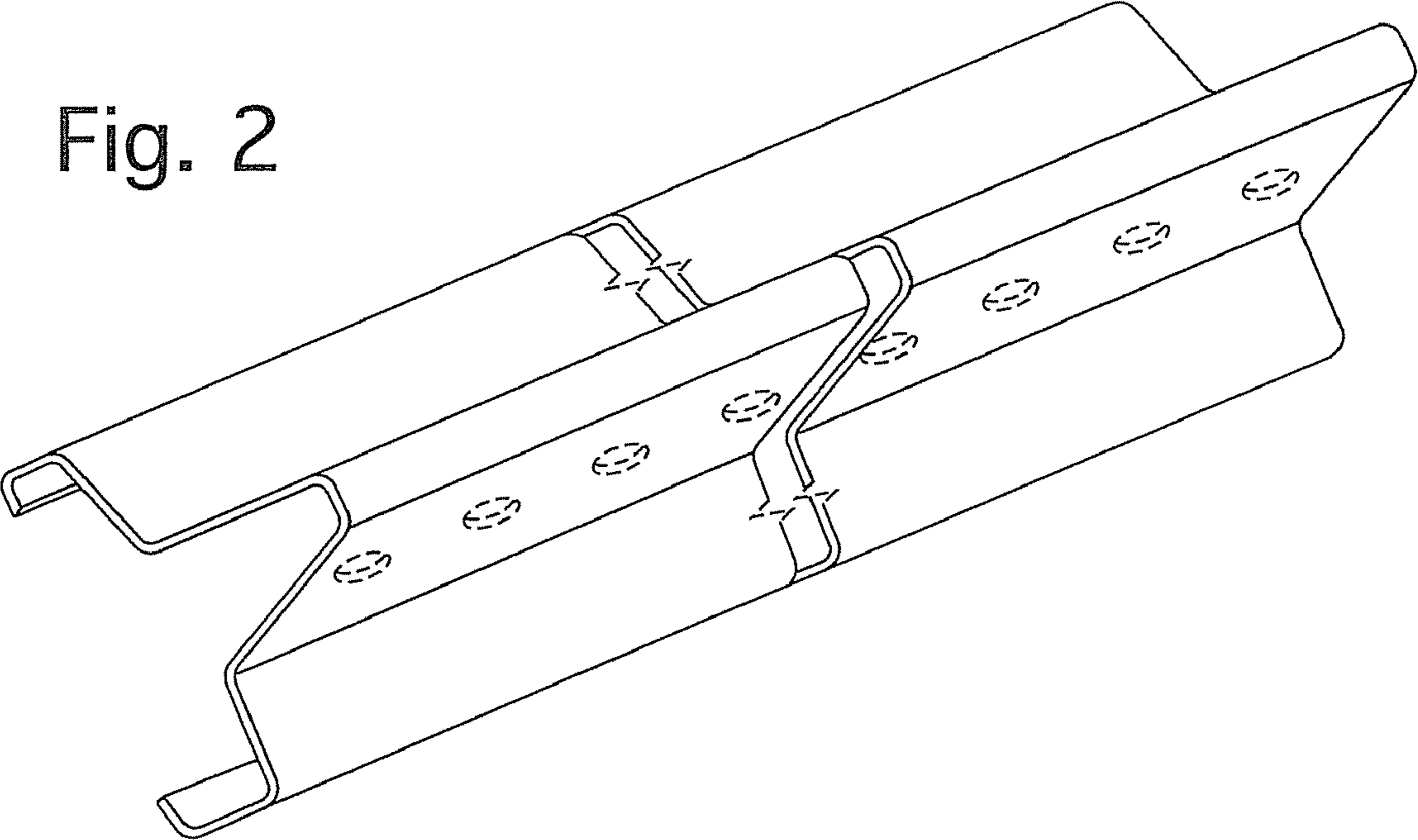


Fig. 3

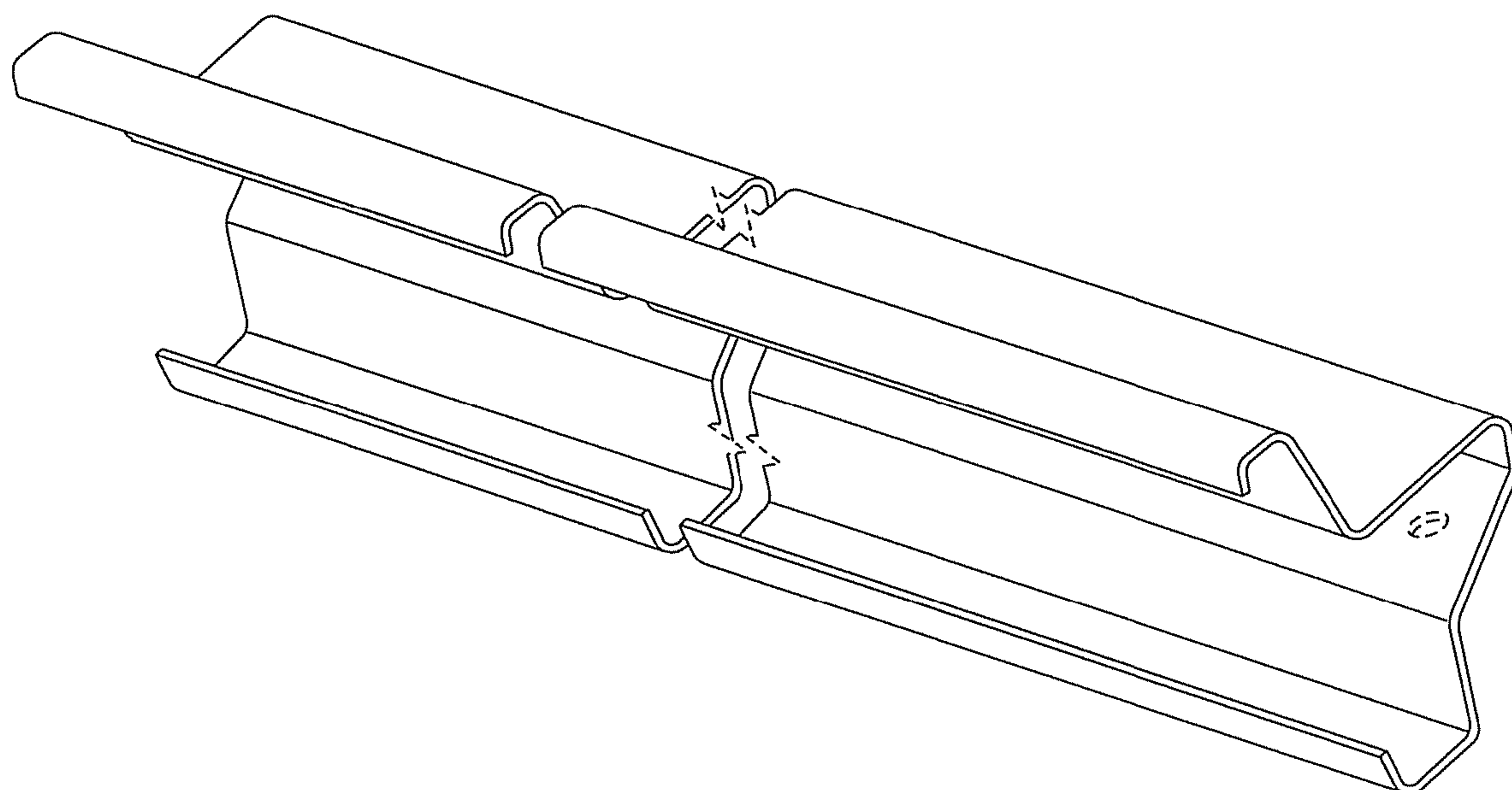


Fig. 4

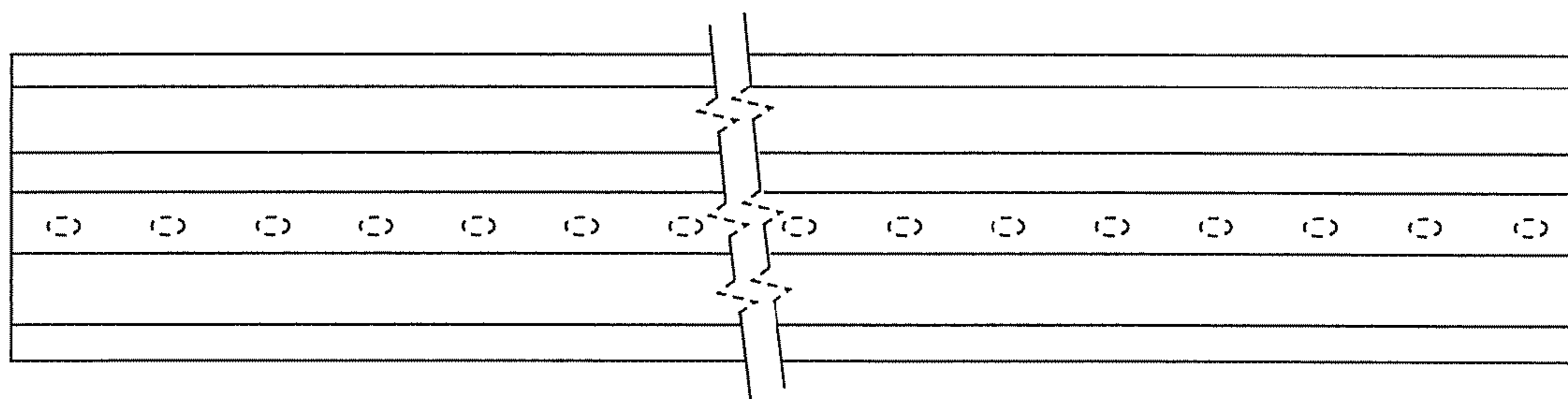


Fig. 5

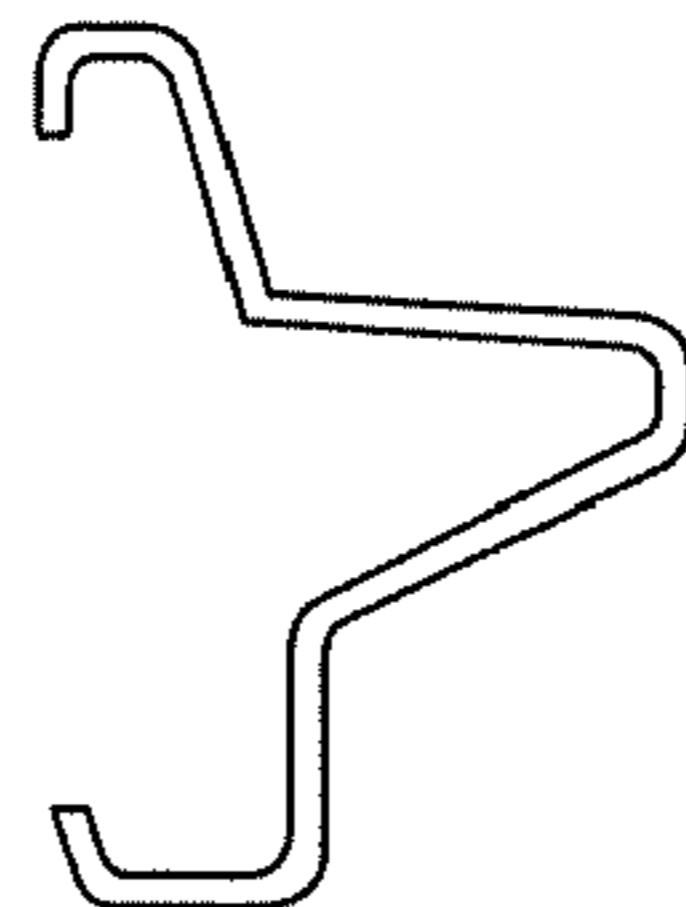


Fig. 6

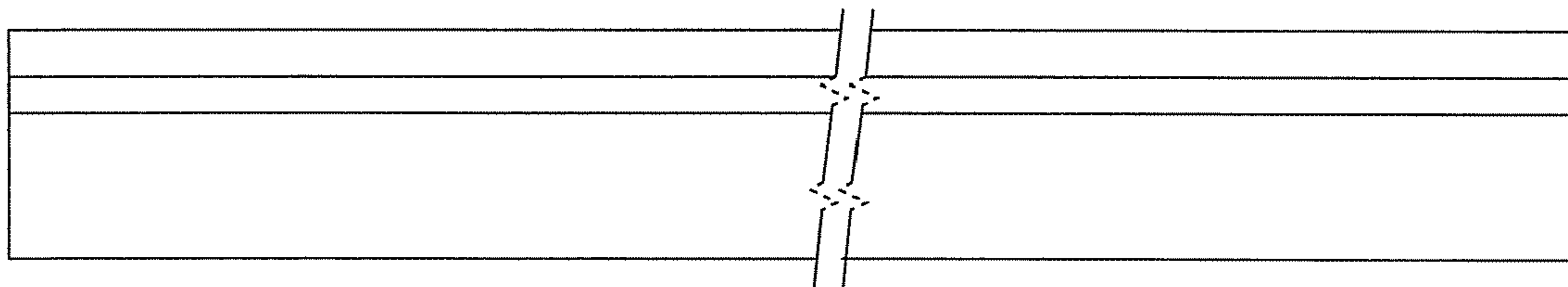


Fig. 7

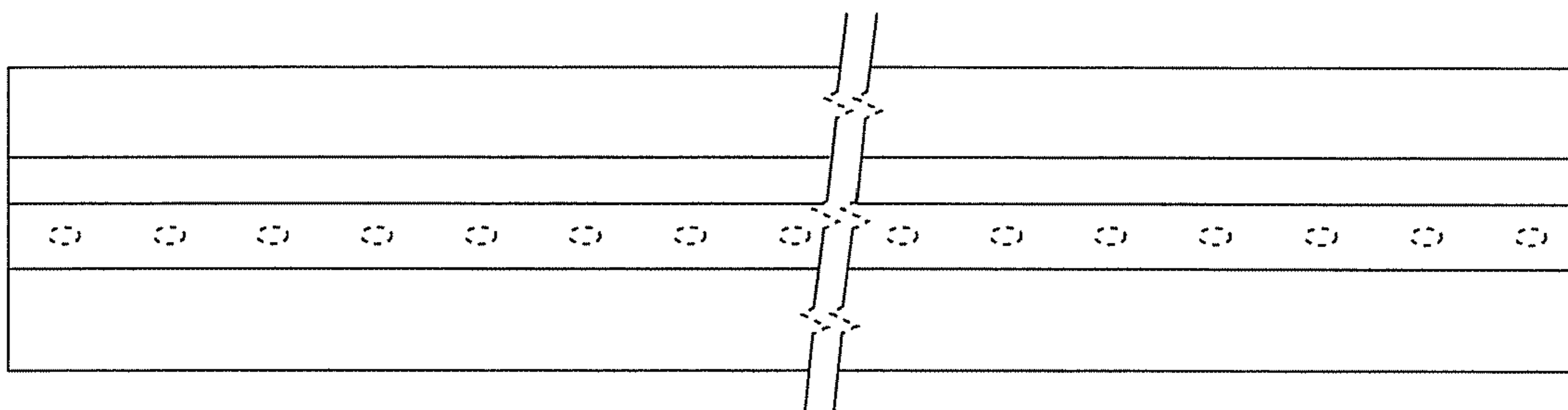


Fig. 8

