



US00D595062S

(12) **United States Design Patent**
Randazzo

(10) **Patent No.:** **US D595,062 S**

(45) **Date of Patent:** **** Jun. 30, 2009**

(54) **CABINET**

D326,967 S * 6/1992 Bardelang D6/436

(75) Inventor: **Matthew Randazzo**, Itasca, IL (US)

* cited by examiner

(73) Assignee: **Incredible Technologies, Inc.**, Arlington Heights, IL (US)

Primary Examiner—Mimosa De
(74) *Attorney, Agent, or Firm*—Banner & Witcoff, Ltd.

(**) Term: **14 Years**

(57) **CLAIM**

(21) Appl. No.: **29/329,754**

The ornamental design for a cabinet, as shown and described.

(22) Filed: **Dec. 19, 2008**

DESCRIPTION

(51) **LOC (9) Cl.** **06-04**

FIG. 1 is a front left perspective view of a cabinet showing my new design;

(52) **U.S. Cl.** **D6/432**

FIG. 2 is a front view thereof;

(58) **Field of Classification Search** D6/396,

FIG. 3 is a left side view thereof;

D6/397, 432-448; D13/184; 312/114, 117,
312/138.1, 204, 208, 257.1

FIG. 4 is a top view thereof; and,

See application file for complete search history.

FIG. 5 is a right side view thereof.

(56) **References Cited**

The dotted broken lines are for illustrative purposes only and form no part of the claimed design.

U.S. PATENT DOCUMENTS

D289,035 S * 3/1987 Lepoix D13/184

1 Claim, 5 Drawing Sheets

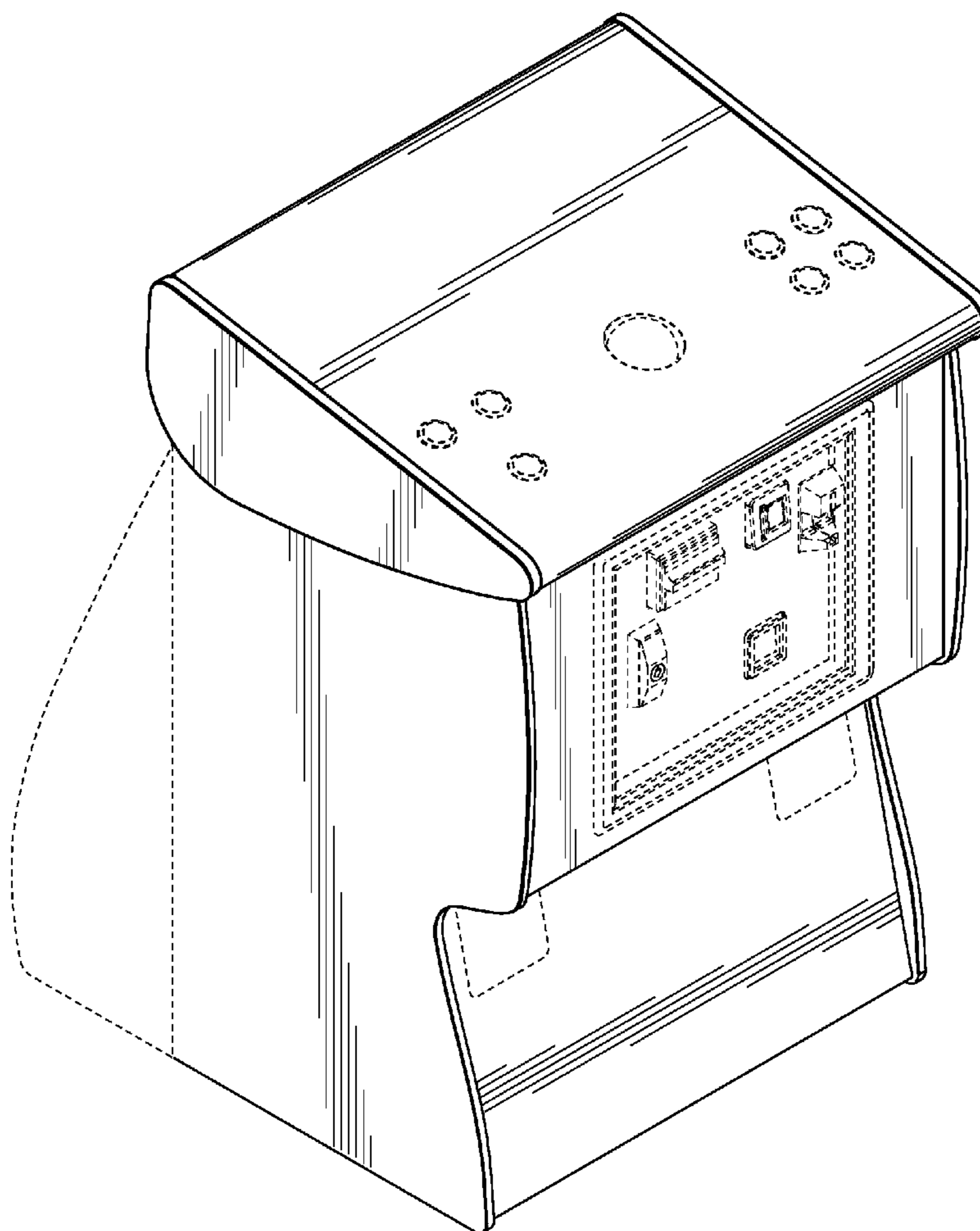


Fig. 1

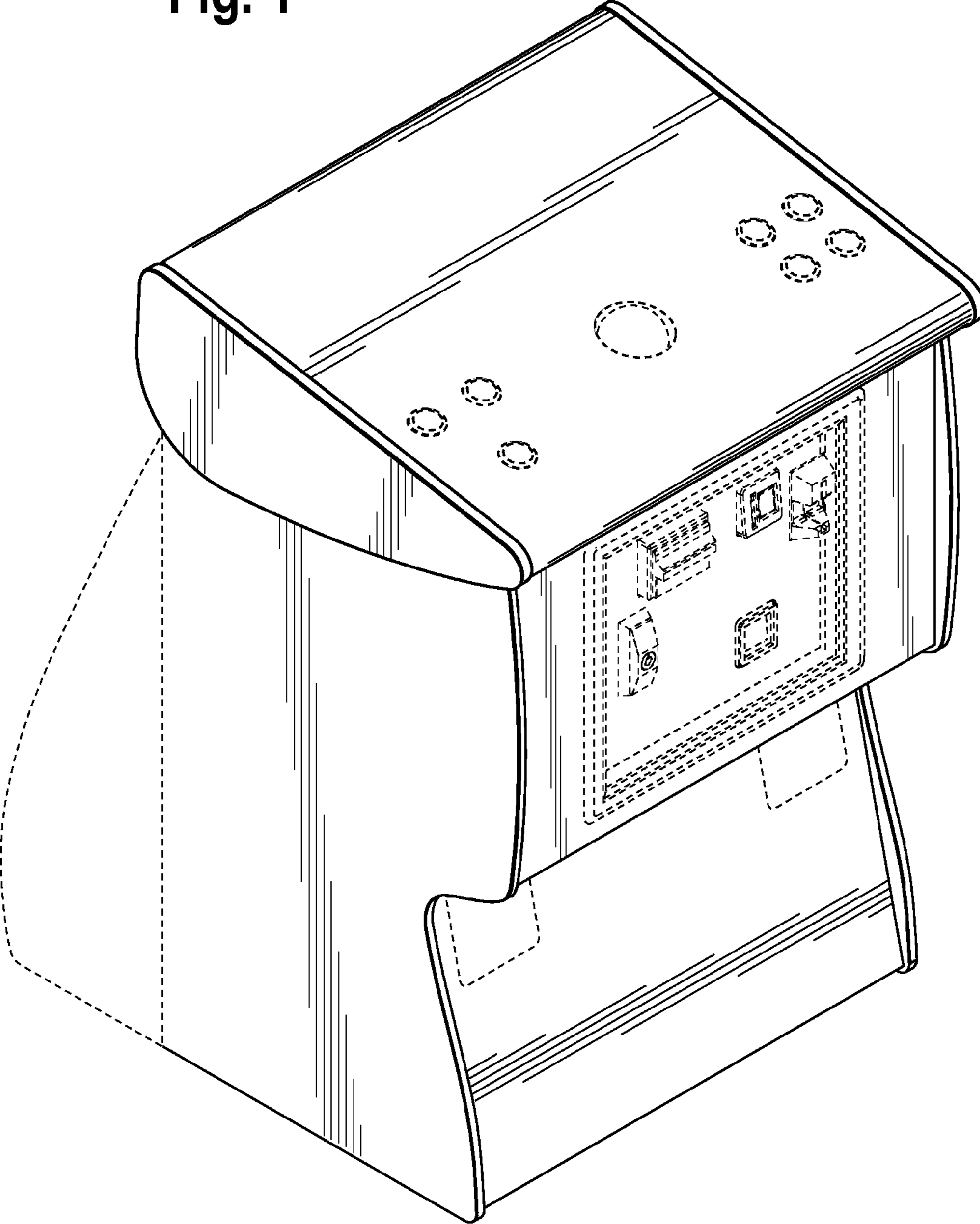


Fig. 2

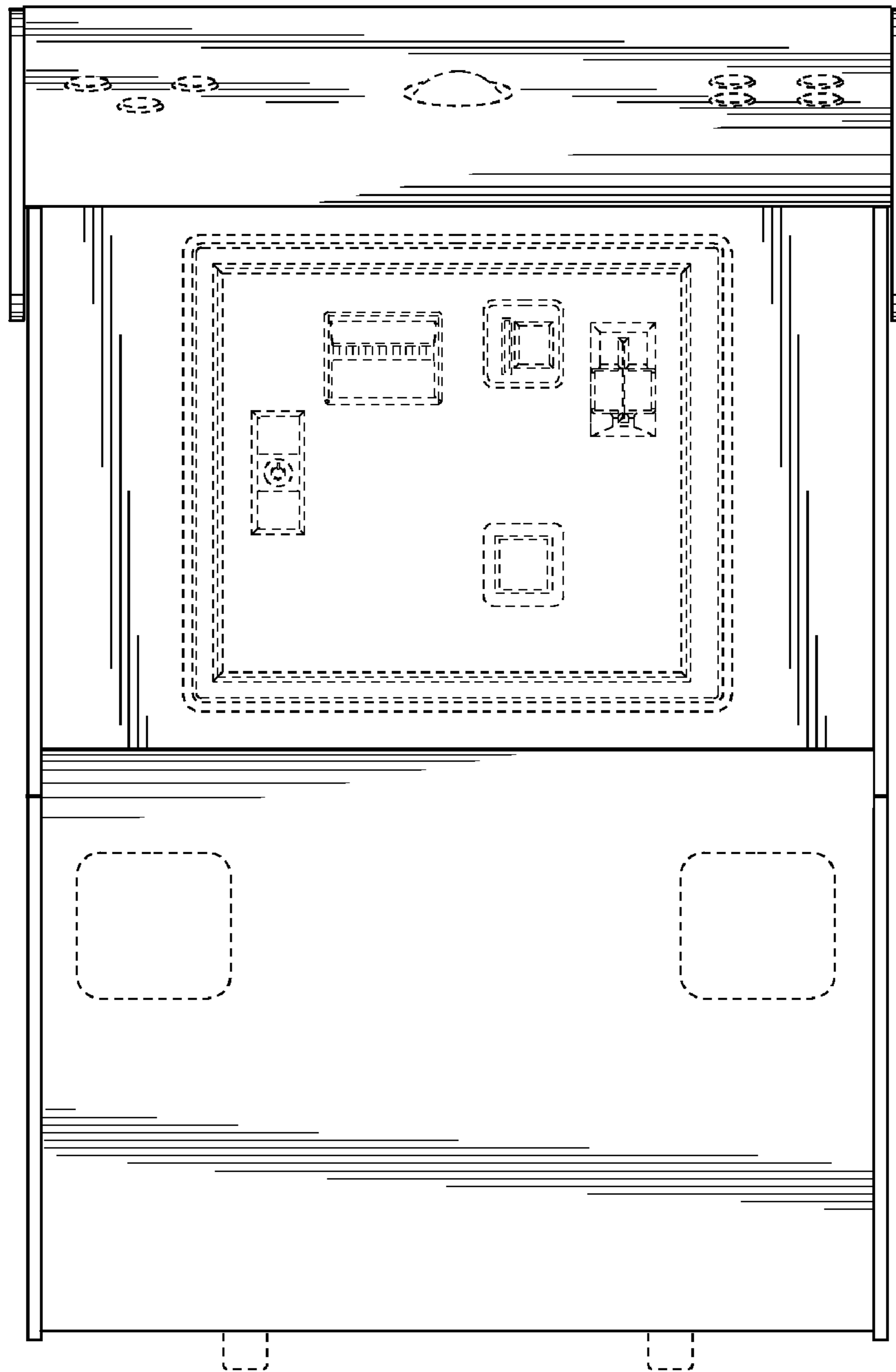


Fig. 3

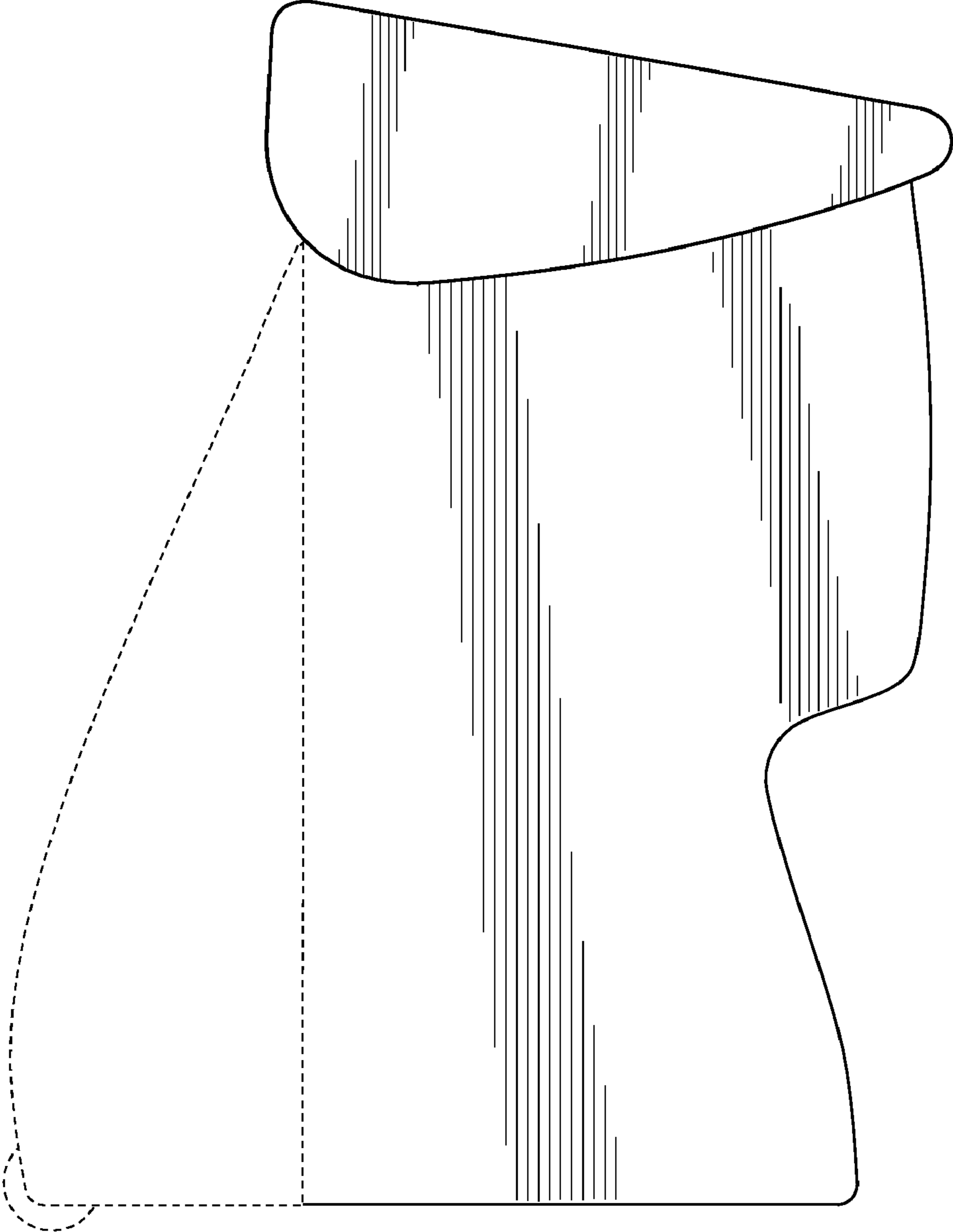


Fig. 4

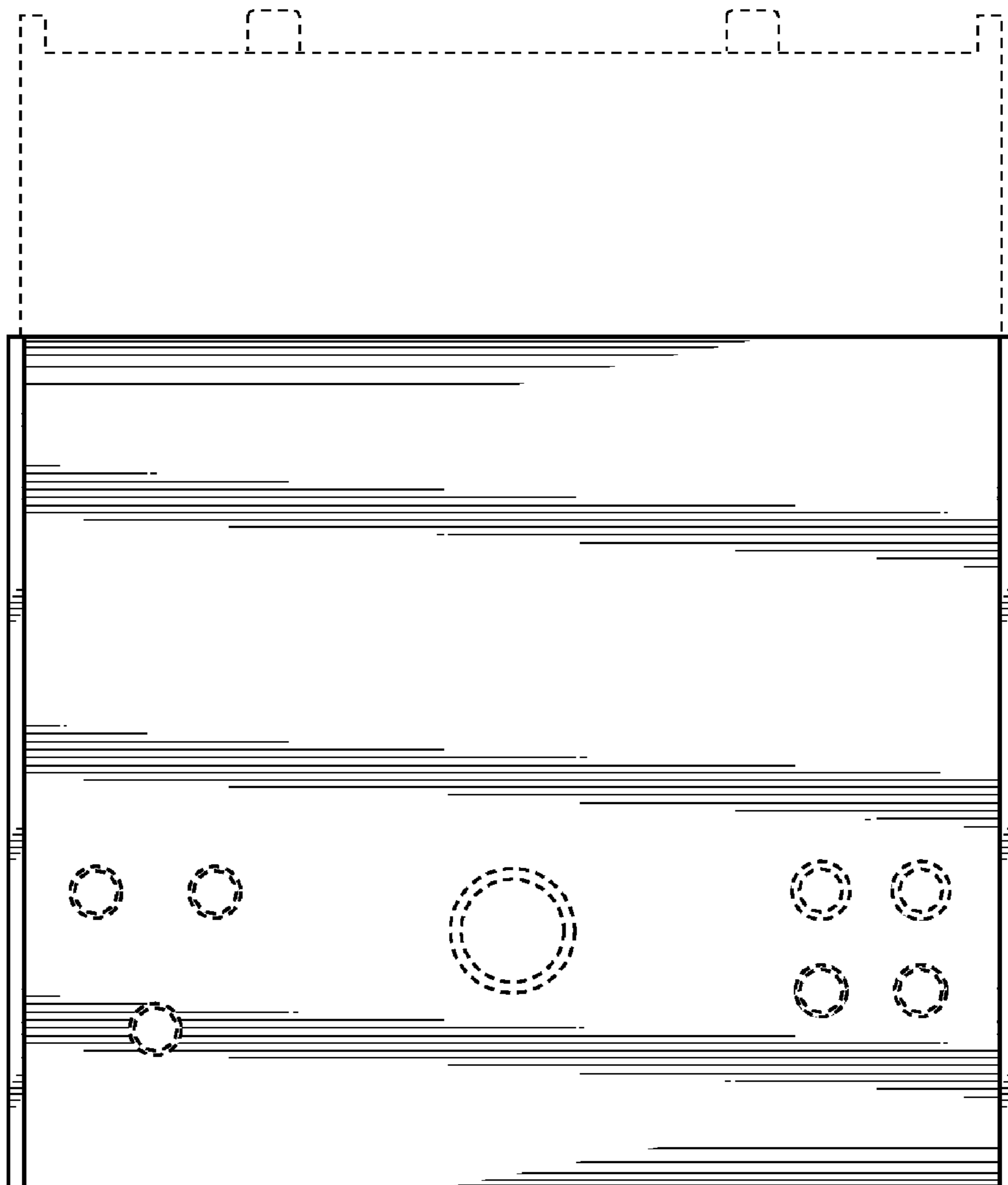


Fig. 5

