



US00D595060S

(12) **United States Design Patent**
Van Duysen

(10) **Patent No.:** **US D595,060 S**
(45) **Date of Patent:** **** Jun. 30, 2009**

(54) **ADJUSTABLE LOUNGER**

(75) Inventor: **Vincent Van Duysen**, Antwerp (BE)

(73) Assignee: **Tribu N.V.**, Zutendaal (BE)

(**) Term: **14 Years**

(21) Appl. No.: **29/328,794**

(22) Filed: **Dec. 2, 2008**

(30) **Foreign Application Priority Data**

Jun. 2, 2008 (EM) 000944194

(51) **LOC (9) Cl.** **06-01**

(52) **U.S. Cl.** **D6/361**

(58) **Field of Classification Search** D6/334-336,
D6/360, 361, 367, 368, 369, 370, 374, 500-502;
5/12.1, 652, 656, 657; 297/377, 353, 354.1,
297/423.1, 440.11, 451.9, 452.13, 452.63,
297/452.64

See application file for complete search history.

(56) **References Cited**

U.S. PATENT DOCUMENTS

D233,810 S * 12/1974 Uyeda D6/361
D234,102 S * 1/1975 Uyeda D6/361
D242,191 S * 11/1976 Halsted D6/361

D279,335 S * 6/1985 Frinier et al. D6/361
D285,628 S * 9/1986 Zola D6/361
D329,335 S * 9/1992 Komai et al. D6/361
D545,581 S * 7/2007 Gower D6/361

* cited by examiner

Primary Examiner—Mimosa De

(74) *Attorney, Agent, or Firm*—Ladas & Parry LLP

(57) **CLAIM**

The ornamental design for an adjustable lounger, as shown and described.

DESCRIPTION

FIG. 1 is a perspective view of the adjustable lounger which is the subject of the present design;

FIG. 2 is a front view thereof;

FIG. 3 is a rear view thereof;

FIG. 4 is a left view thereof;

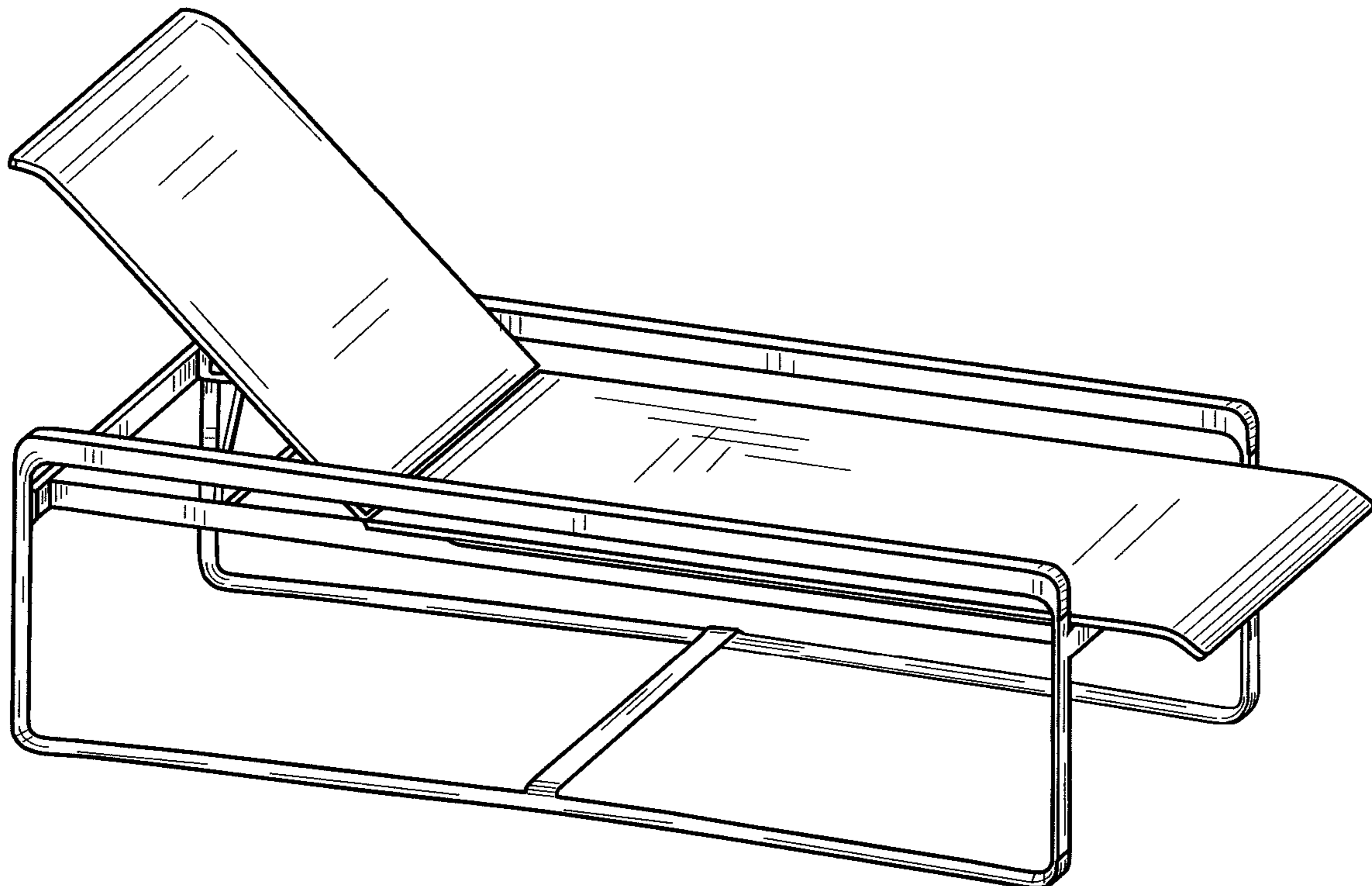
FIG. 5 is a right view thereof;

FIG. 6 is a top view thereof; and,

FIG. 7 is a bottom view thereof.

The dotted line portions in FIGS. 2, 3, 4, 5 and 7 are for the purpose of illustration only and do not form part of the claimed design.

1 Claim, 7 Drawing Sheets



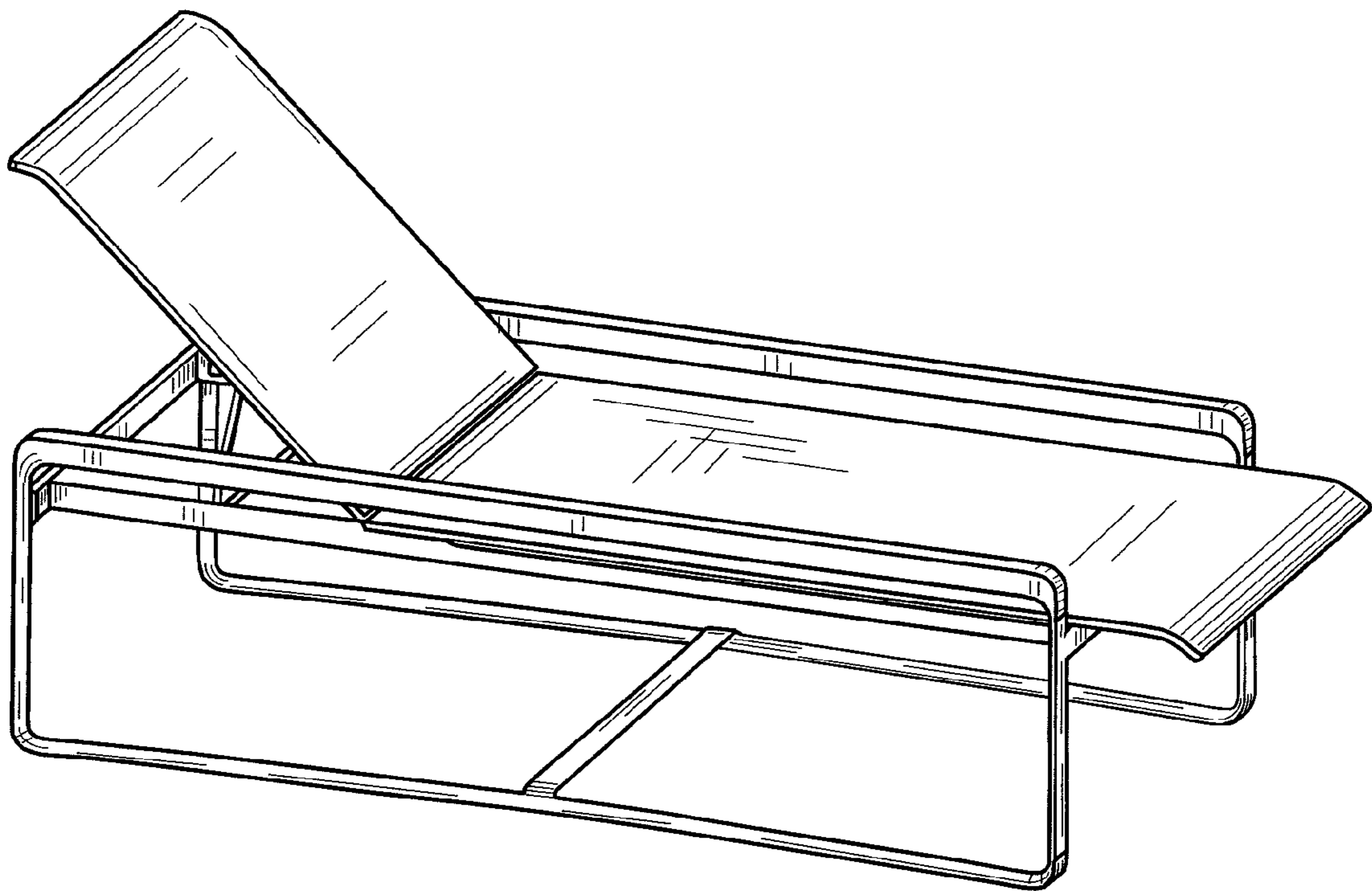


FIG. 1

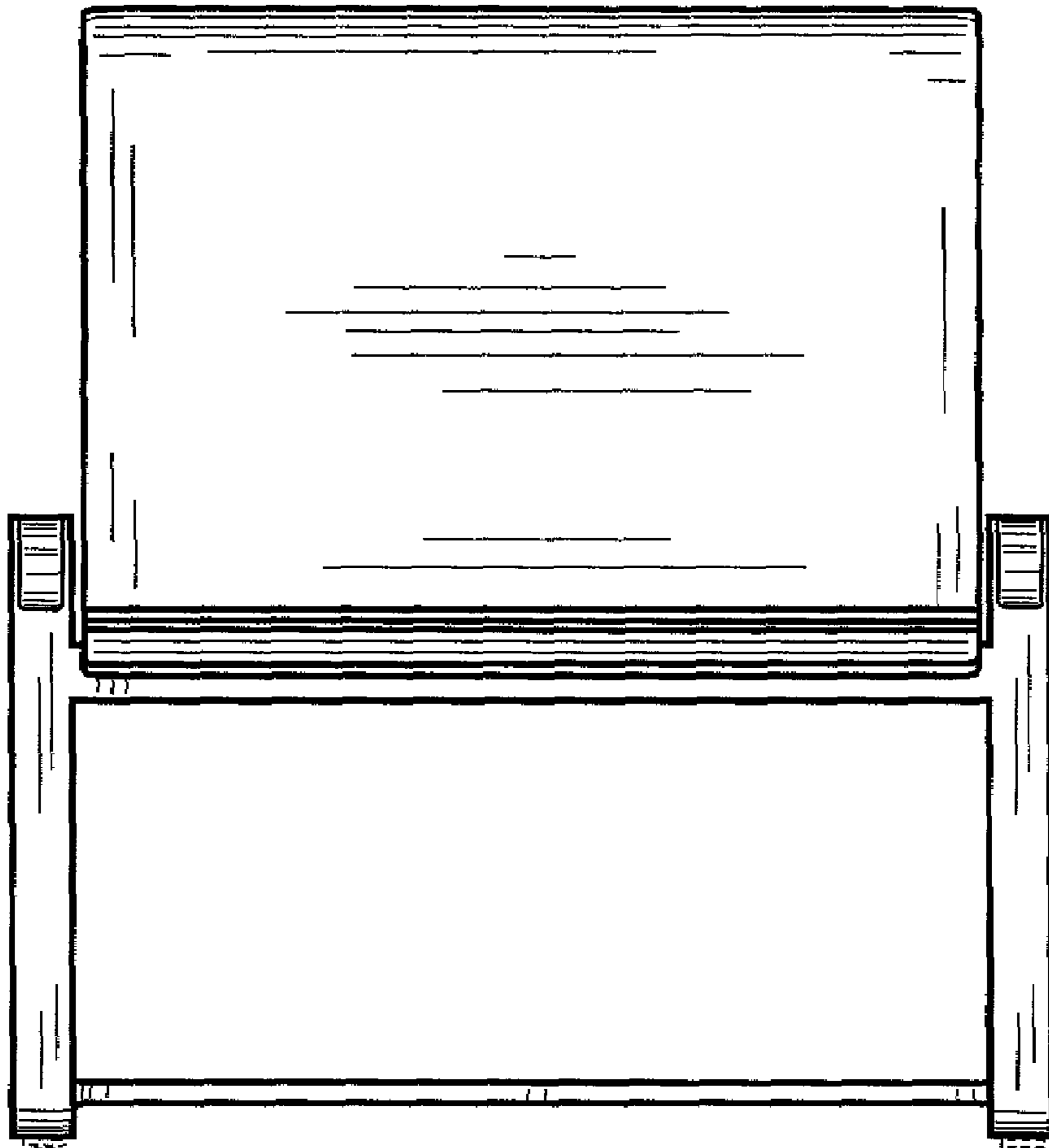


FIG. 2

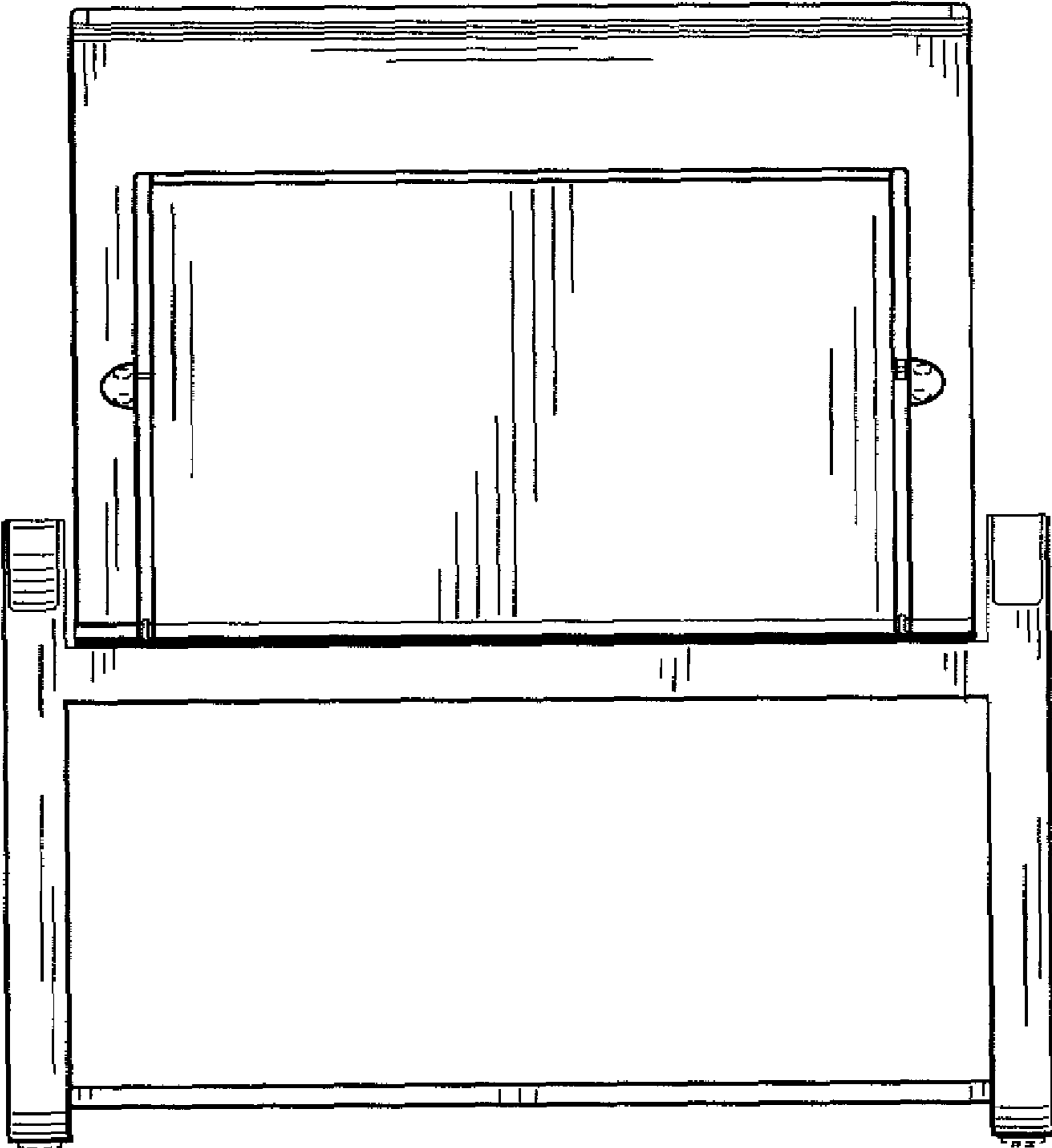


FIG. 3

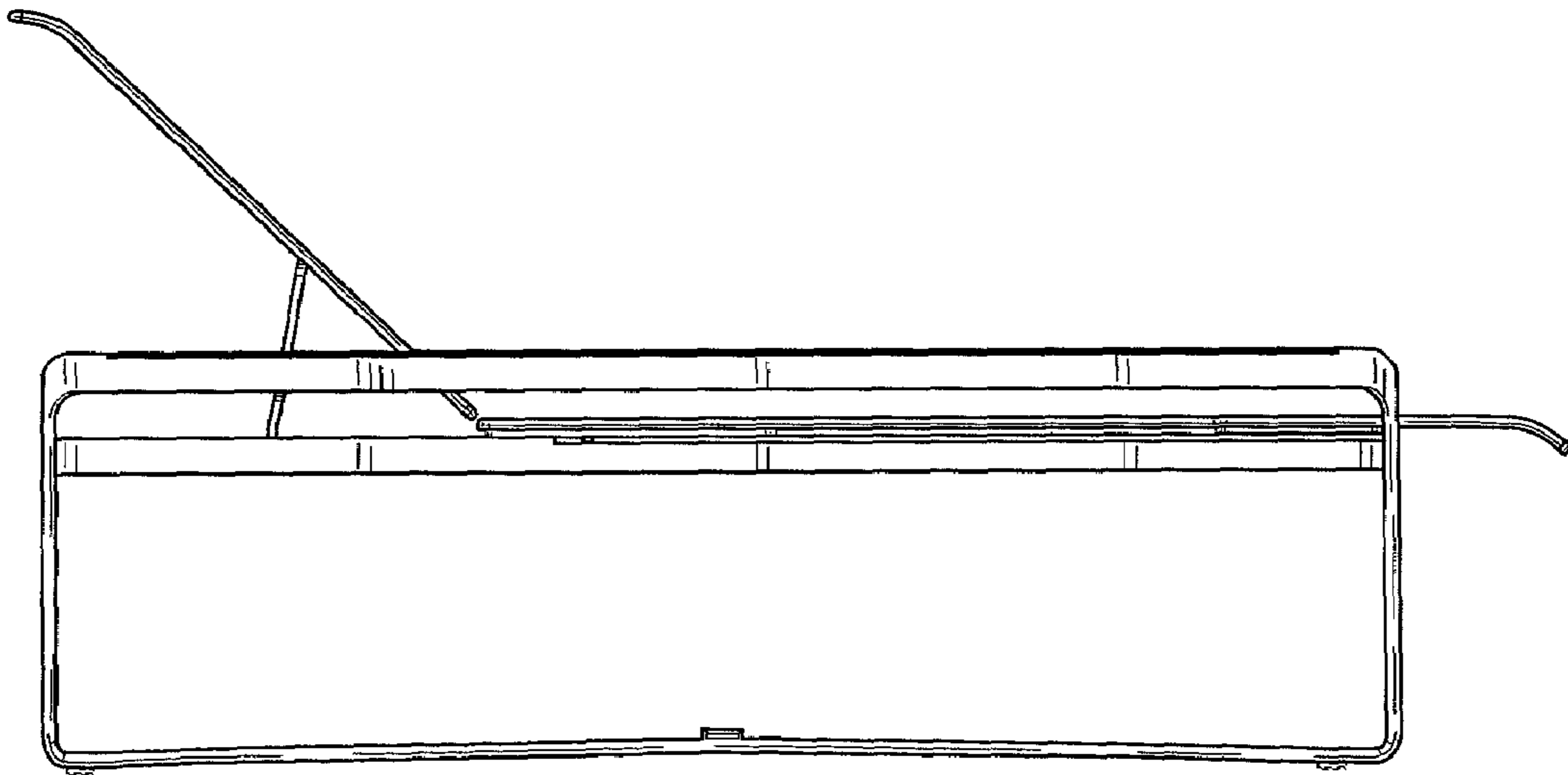


FIG. 4

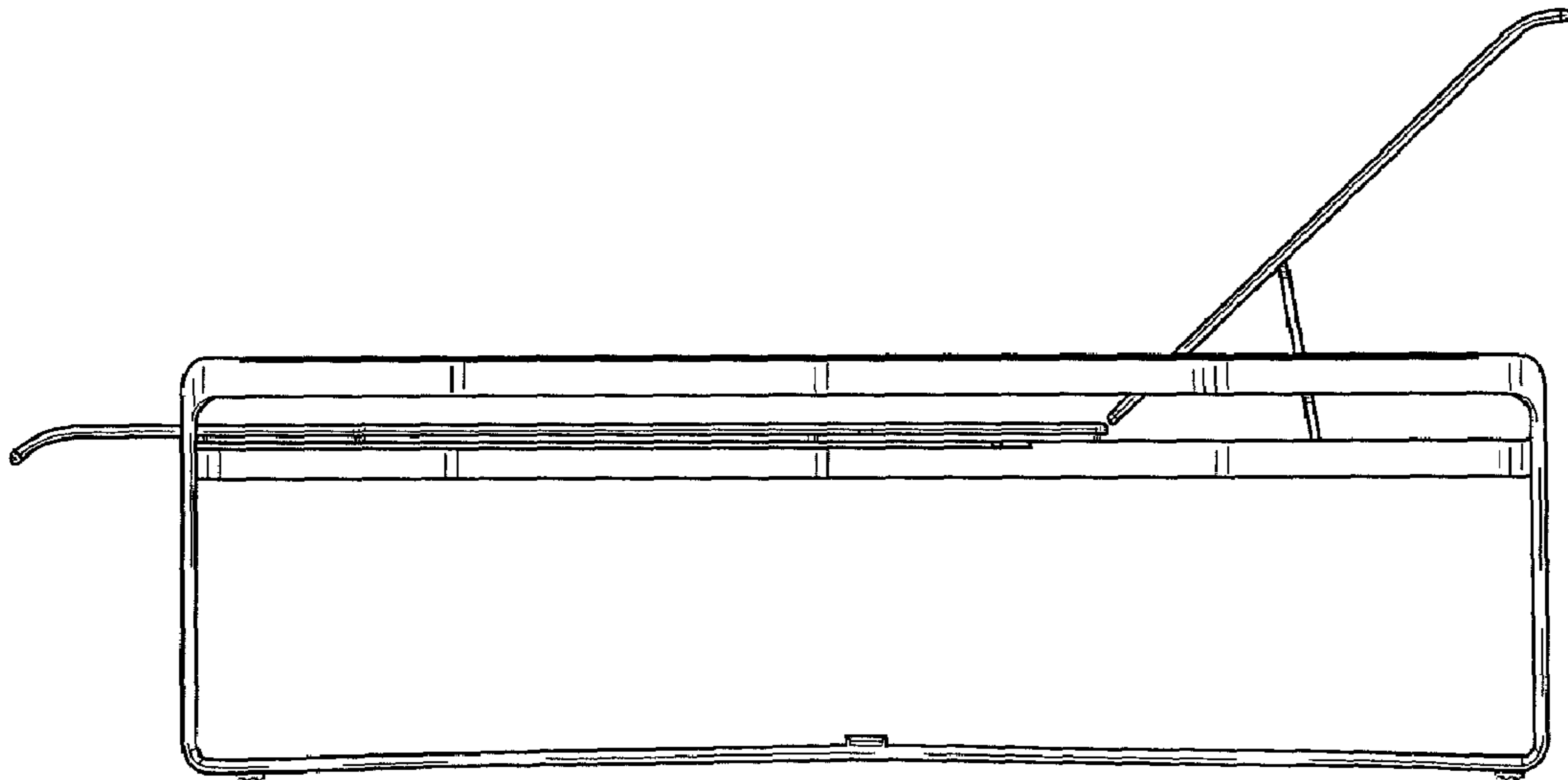


FIG. 5

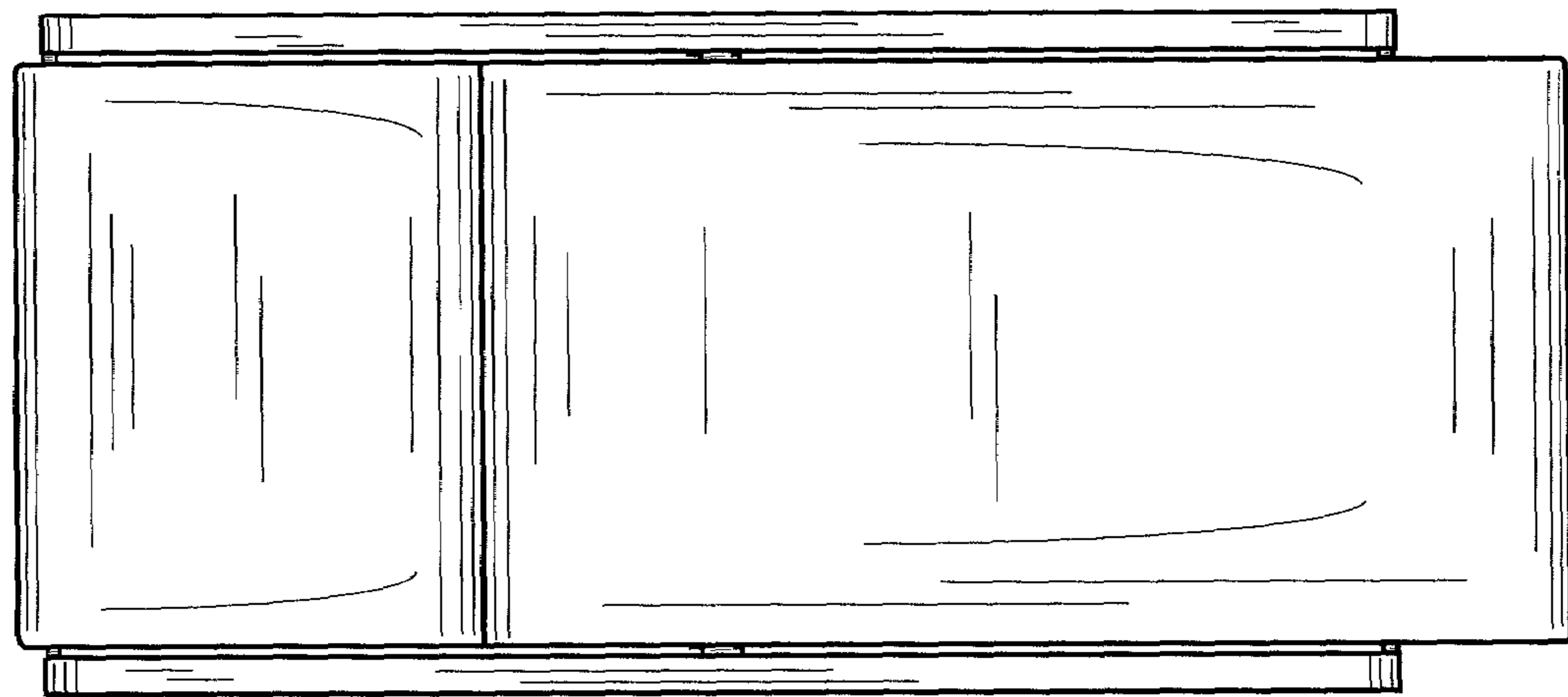


FIG. 6

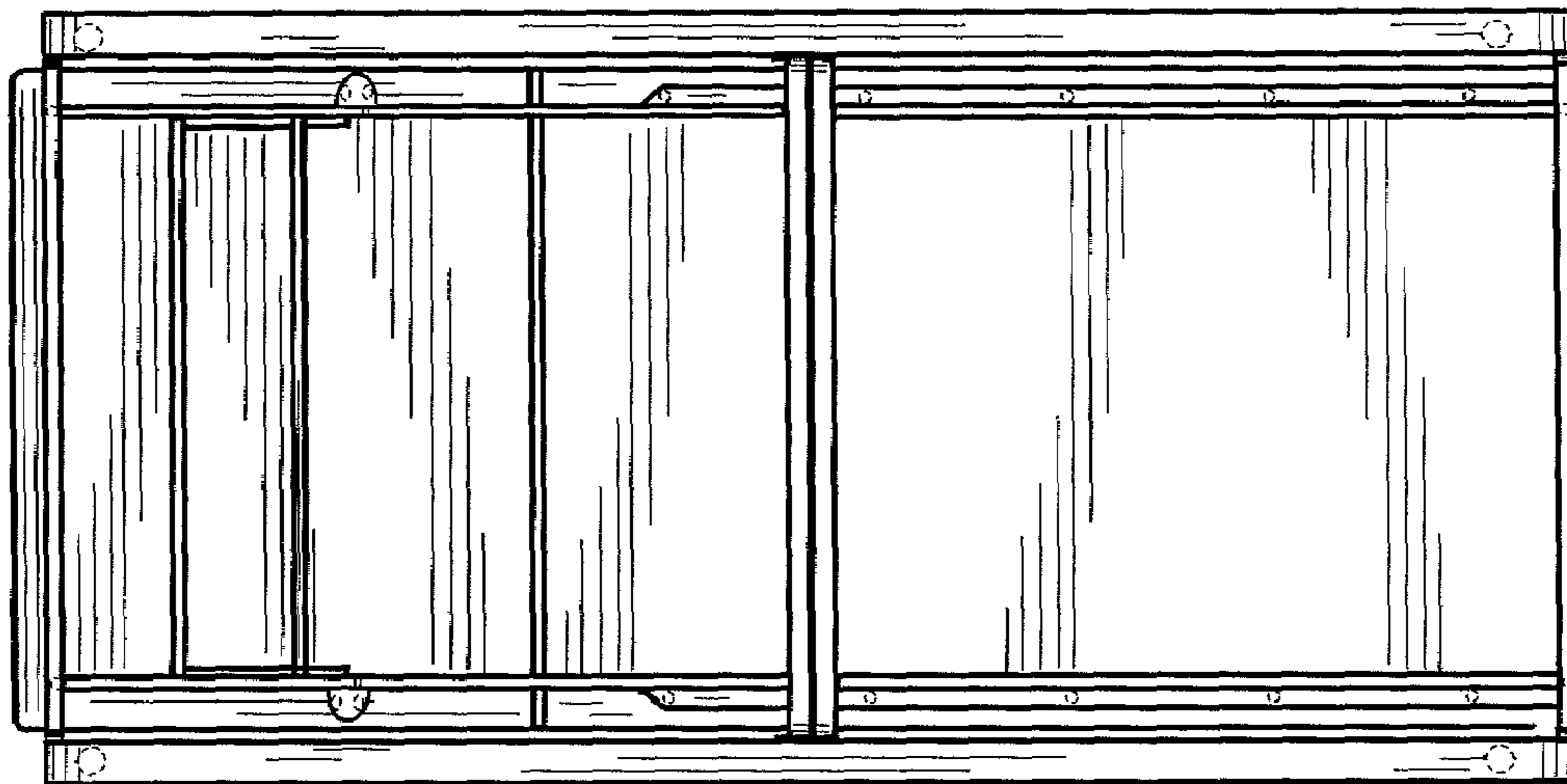


FIG. 7