



US00D595059S

(12) **United States Design Patent**
Ton

(10) **Patent No.:** **US D595,059 S**

(45) **Date of Patent:** **** Jun. 30, 2009**

(54) **PEDICURE SPA**

(76) **Inventor:** **Quy That Ton**, 3131 Dalrymple Dr.,
Baton Rouge, LA (US) 70802

(**) **Term:** **14 Years**

(21) **Appl. No.:** **29/332,933**

(22) **Filed:** **Feb. 27, 2009**

(51) **LOC (9) Cl.** **06-01**

(52) **U.S. Cl.** **D6/336**

(58) **Field of Classification Search** D6/330,
D6/335-338, 340, 349-355, 358, 359, 364,
D6/366, 376, 491, 495, 500-502; 297/16.1,
297/39, 46, 135, 140, 156, 158.3, 158.4,
297/175, 177, 187, 195.1, 195.11, 211, 245,
297/423.1, 423.16, 445.1, 461, 462; D23/277
See application file for complete search history.

(56) **References Cited**

U.S. PATENT DOCUMENTS

2,061,142	A	*	11/1936	Denocenzo	4/622
D318,521	S	*	7/1991	Zarinfar	D23/280.1
D412,600	S	*	8/1999	Oh et al.	D28/56
D421,793	S	*	3/2000	Svendsen	D23/277
D424,819	S	*	5/2000	Galati et al.	D6/336
D429,379	S	*	8/2000	Kim	D28/56
D429,380	S	*	8/2000	Fontier et al.	D28/56
D435,937	S	*	1/2001	Back et al.	D28/61
D456,154	S	*	4/2002	Huynh et al.	D6/336
D479,919	S	*	9/2003	Genelli et al.	D6/336
D483,444	S	*	12/2003	Lebrun et al.	D23/277

D498,599	S	*	11/2004	Luong	D6/336
D502,989	S	*	3/2005	Turcotte et al.	D23/277
D549,999	S	*	9/2007	Fugate et al.	D6/500
D566,407	S	*	4/2008	Gay	D6/336

* cited by examiner

Primary Examiner—Sandra Snapp

(74) *Attorney, Agent, or Firm*—Duane Morris LLP

(57) **CLAIM**

The ornamental design for the pedicure spa, as shown and described.

DESCRIPTION

FIG. 1 is a perspective view showing the front, left and upper side of my new pedicure spa;

FIG. 2 is a left side view of the pedicure spa, such as that shown in FIG. 1 without a chair mounted on the pedicure spa;

FIG. 3 is a top view of the pedicure spa, such as that shown in FIG. 2;

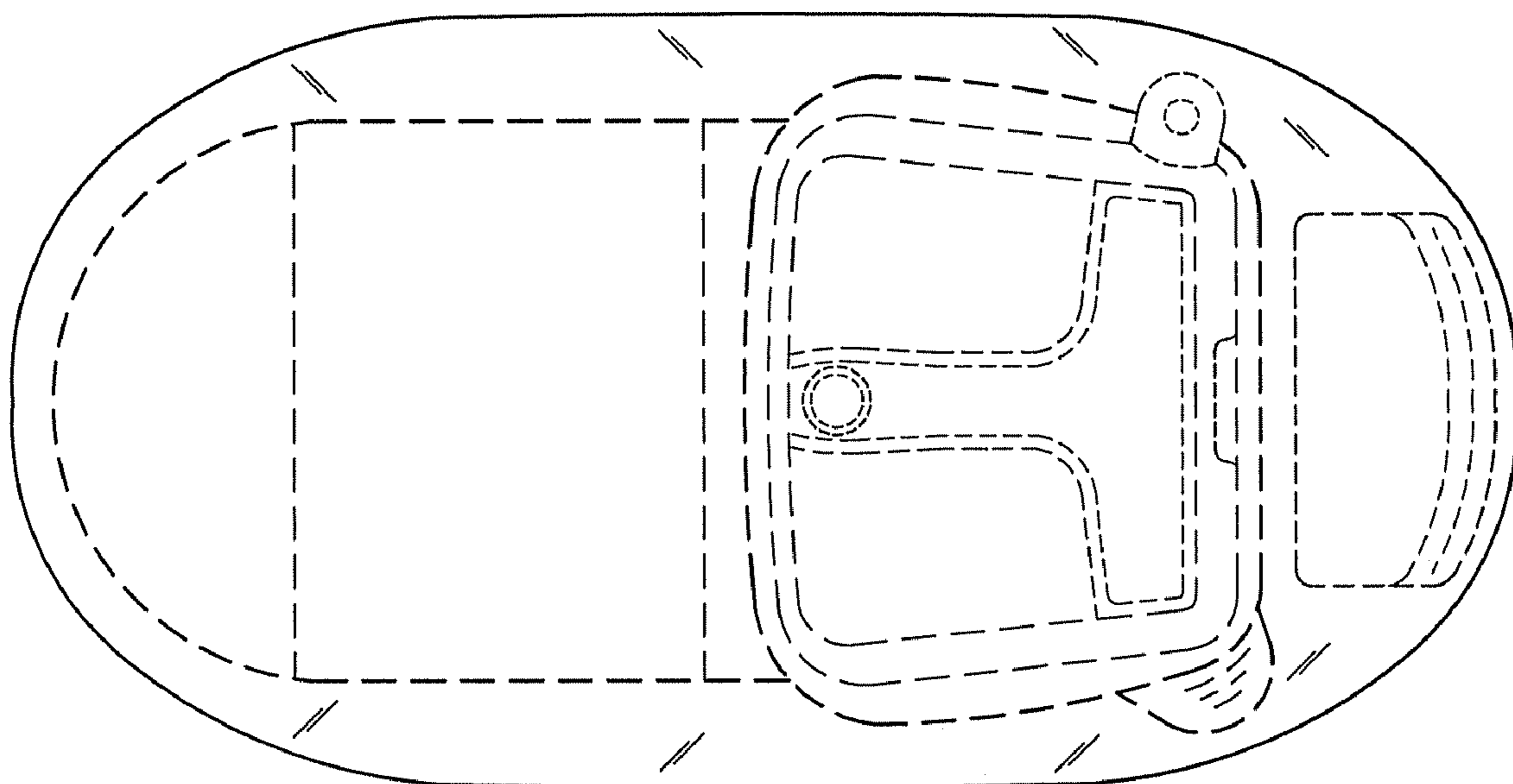
FIG. 4 is a perspective view showing the front, left and upper side of the pedicure spa, such as that shown in FIG. 2;

FIG. 5 is a front view of the pedicure spa, such as that shown in FIG. 2 without the cushion mounted on the pedicure spa; and,

FIG. 6 is a rear view of the pedicure spa, such as that shown in FIG. 2 without the cushion mounted on the pedicure spa.

The broken lines shown in the drawings are for illustrative purposes only and form no part of the claimed design.

1 Claim, 3 Drawing Sheets



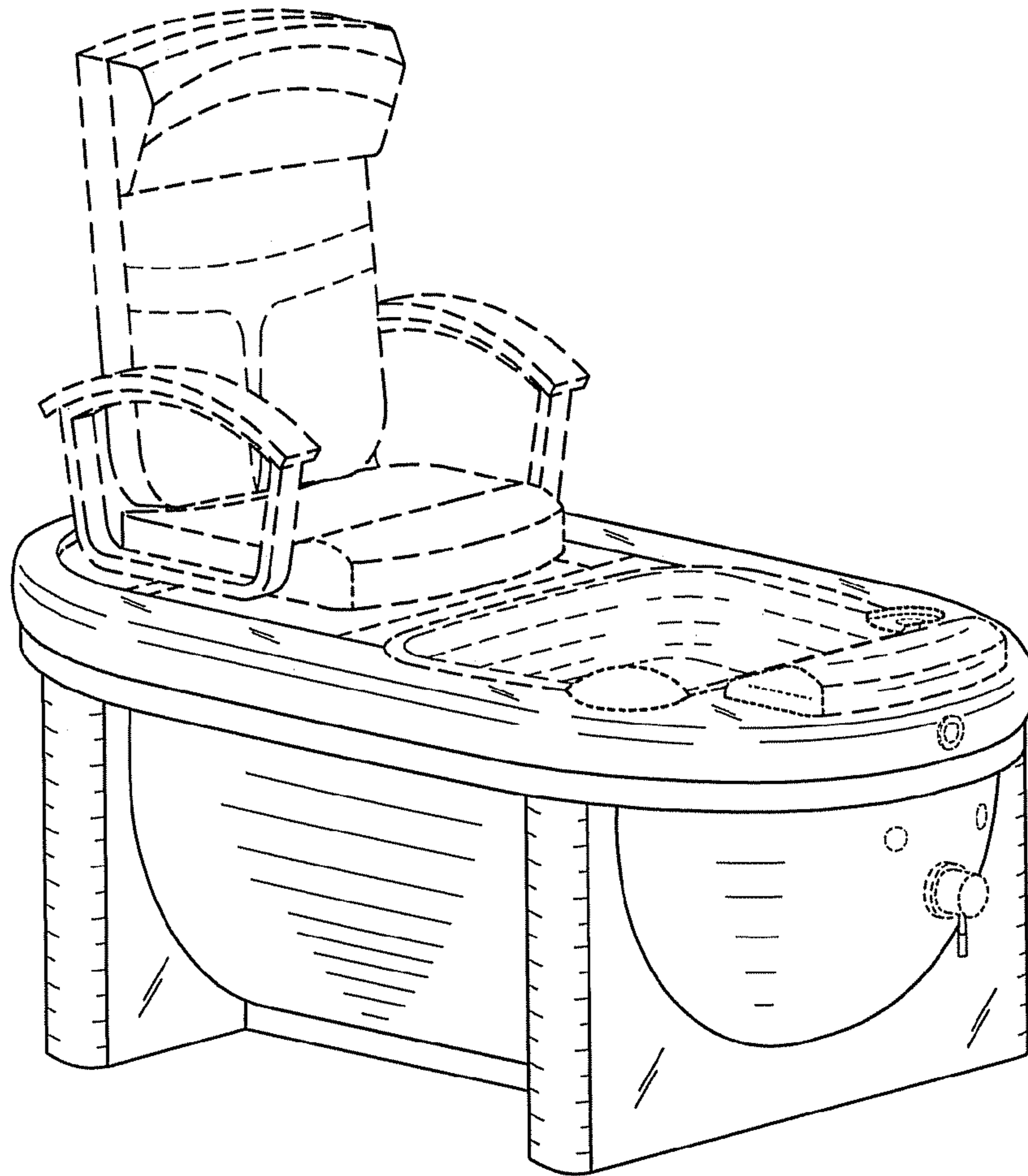


FIG. 1

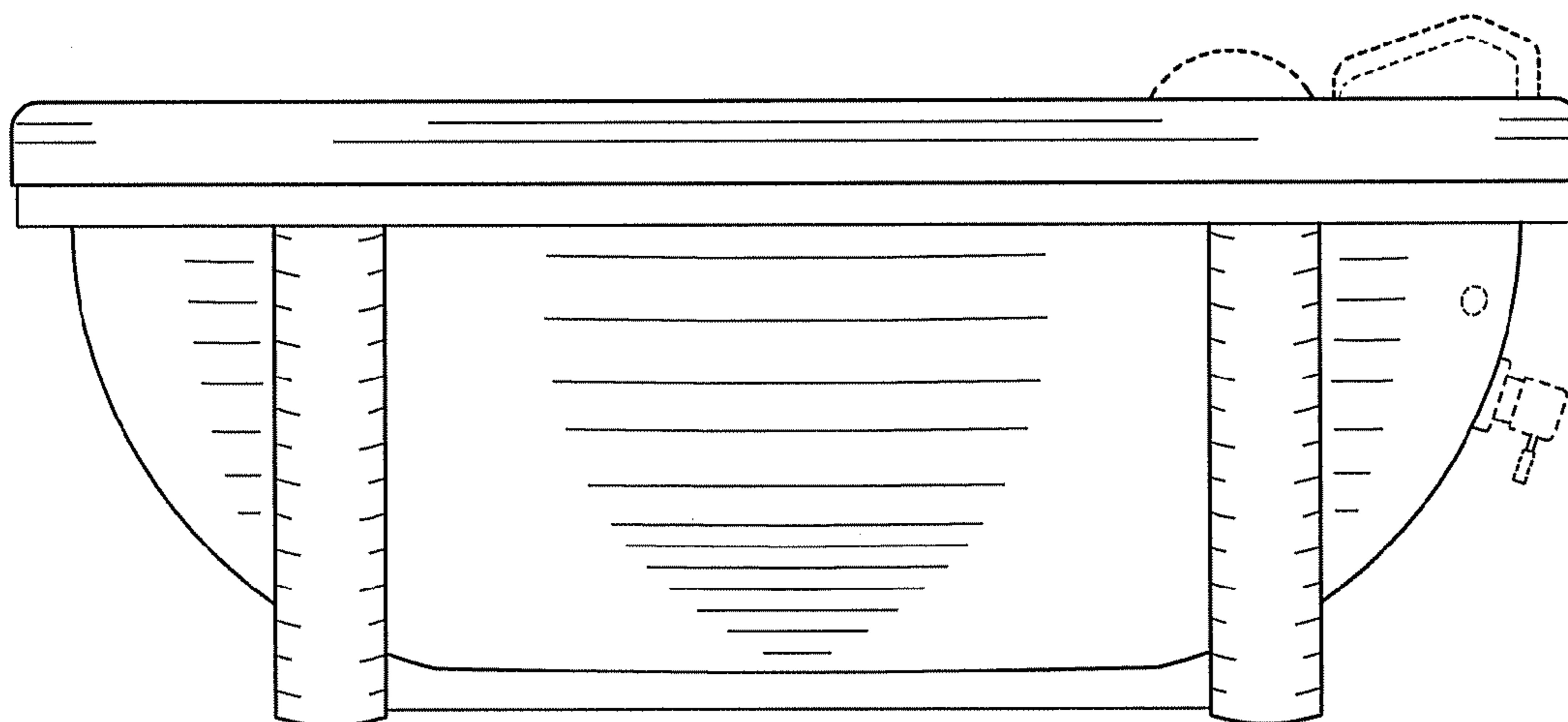


FIG. 2

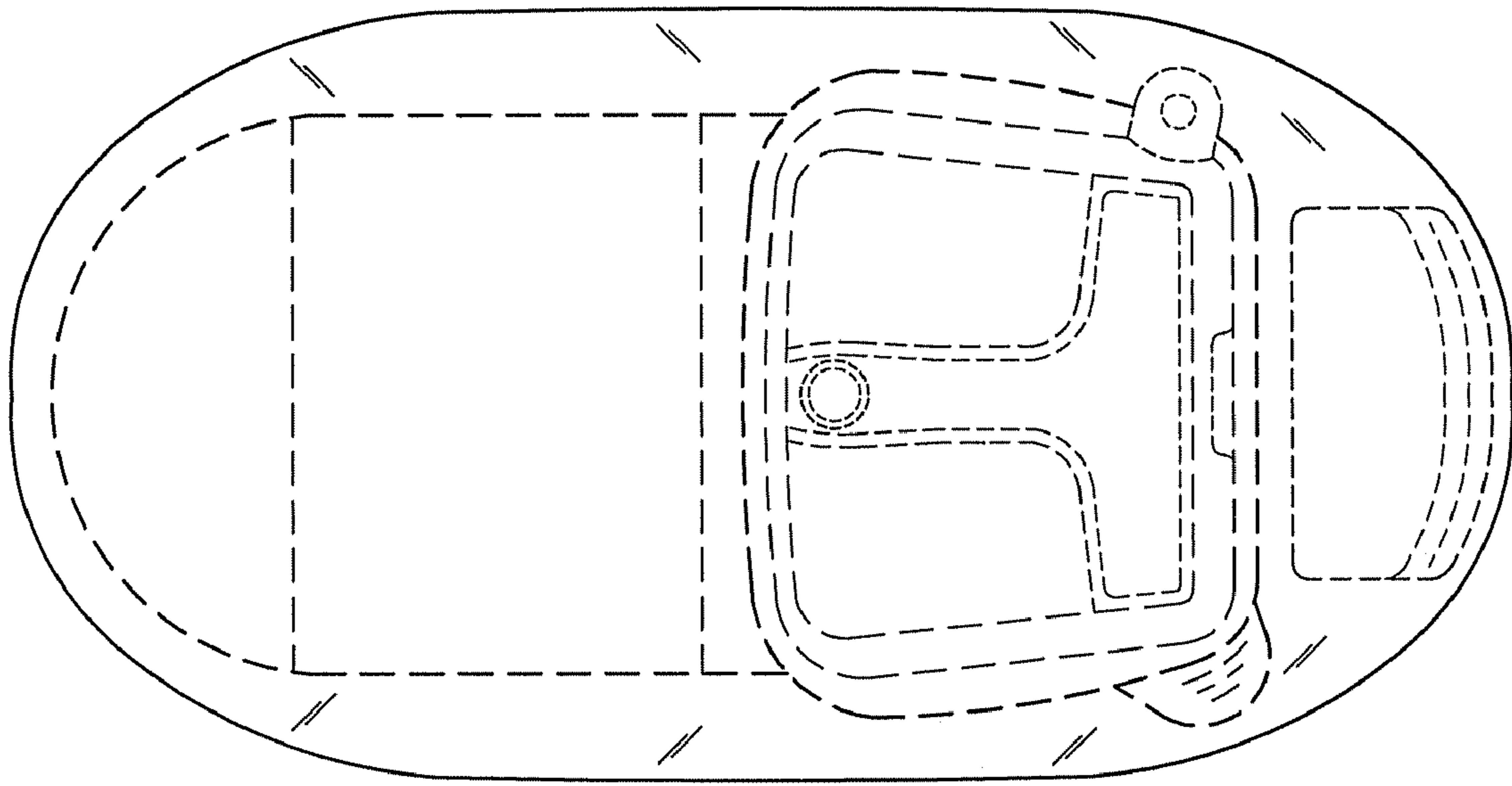


FIG. 3

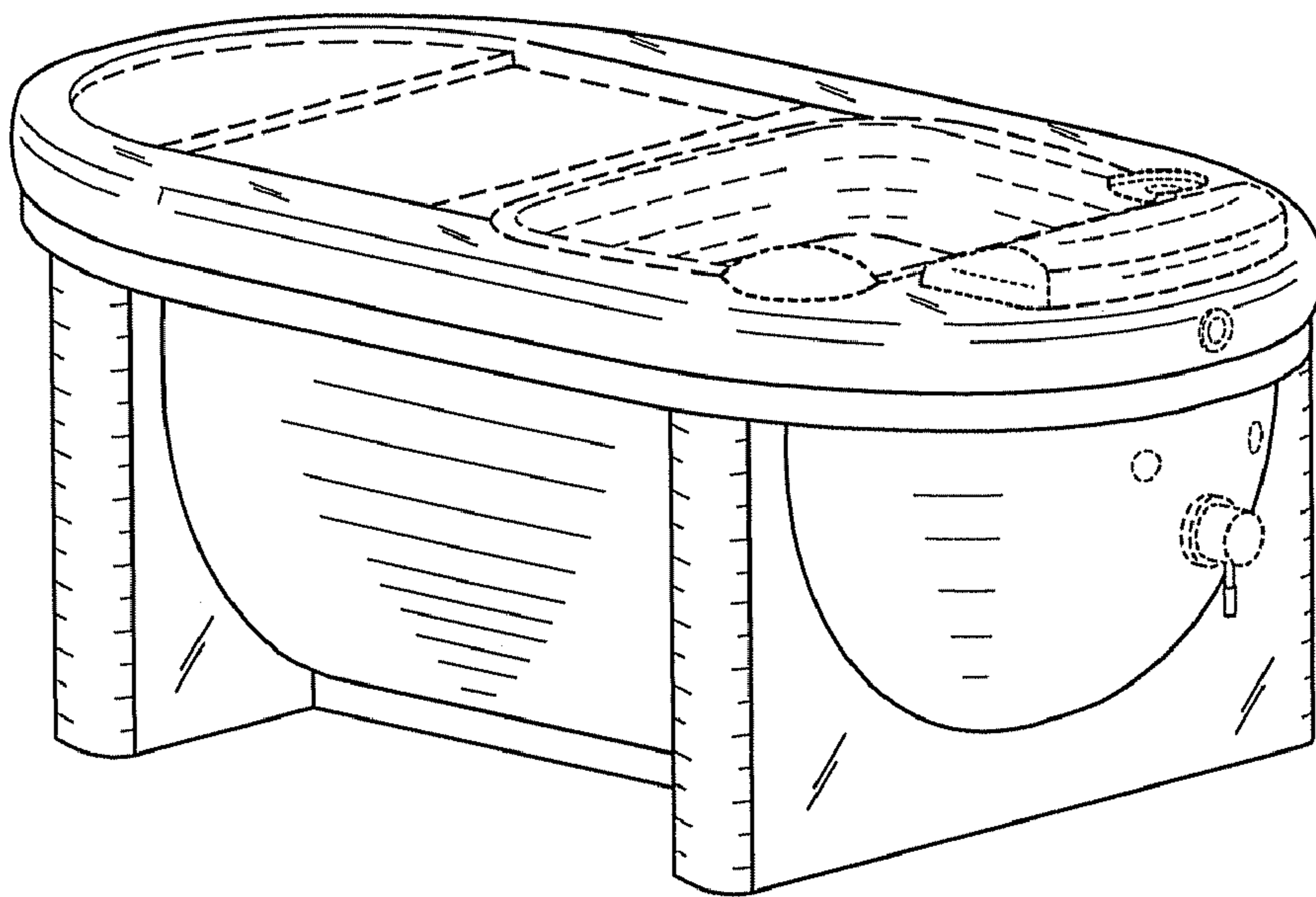


FIG. 4

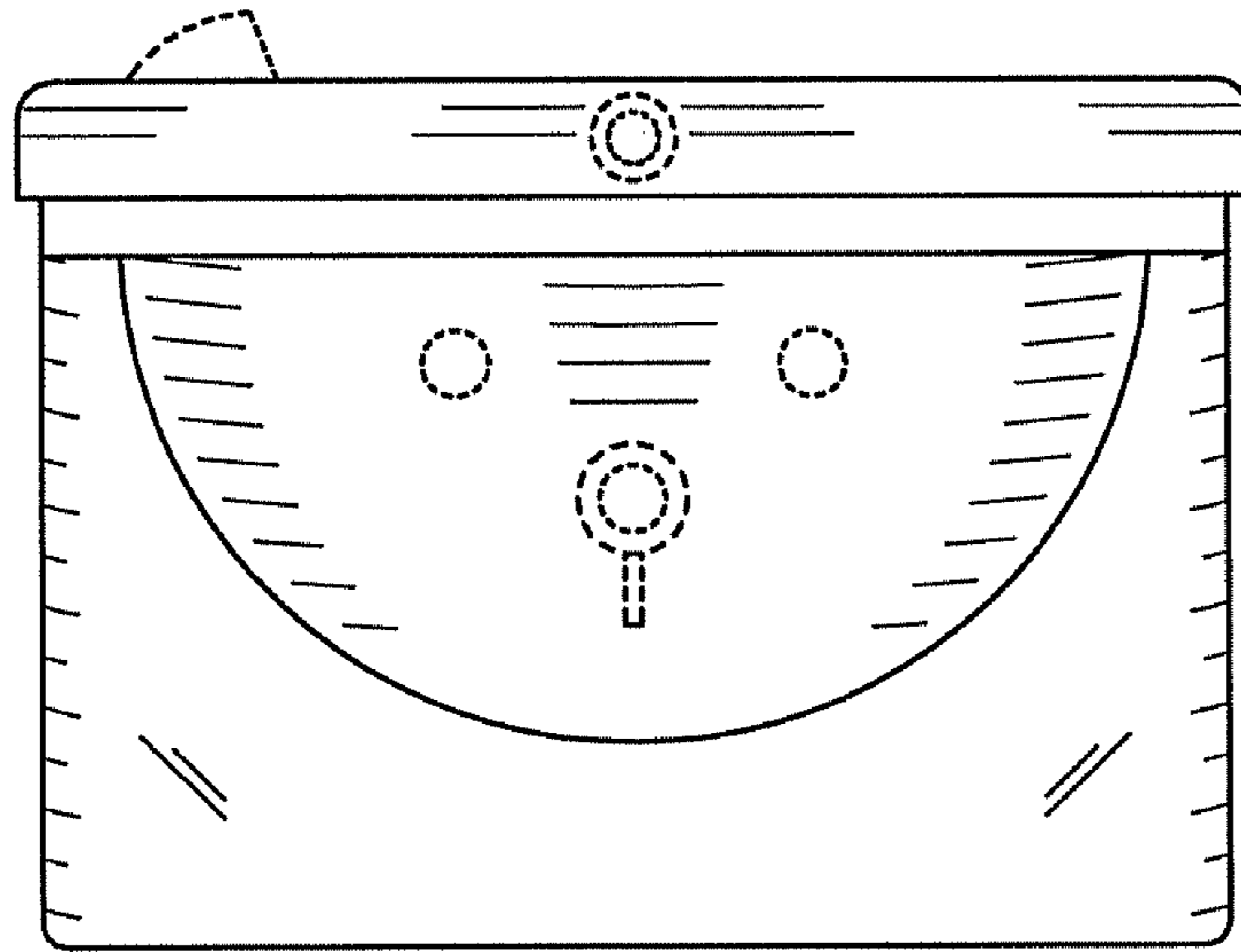


FIG. 5

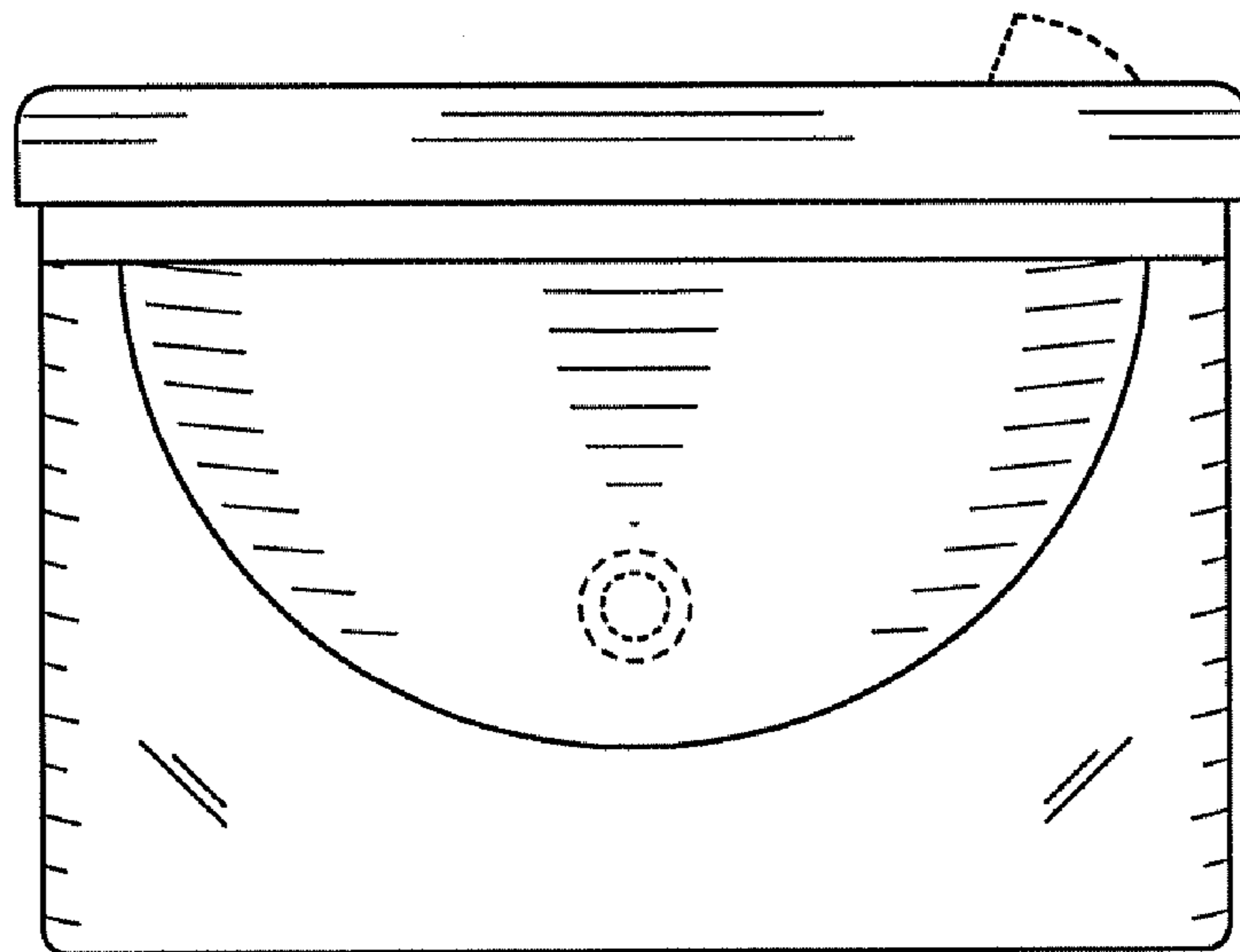


FIG. 6