



US00D595057S

(12) **United States Design Patent**  
**Dow et al.**

(10) **Patent No.:** **US D595,057 S**  
(45) **Date of Patent:** **\*\* Jun. 30, 2009**

(54) **BARBECUE GRILL BRUSH**  
(75) Inventors: **Shannon Dow**, Berkeley, CA (US);  
**Sharon Ellen Kallenberger**, Alameda,  
CA (US)

4,071,983 A 2/1978 Thielen  
4,232,420 A 11/1980 Schuster et al.  
4,244,075 A 1/1981 Silver

(Continued)

(73) Assignee: **Charcoal Companion Incorporated**,  
Emeryville, CA (US)

**OTHER PUBLICATIONS**

(\*\*) Term: **14 Years**

(21) Appl. No.: **29/241,631**

(22) Filed: **Oct. 27, 2005**

The Tool Wizard Grill Brush [online]. Barr Brothers Company, 2003 [retrieved on Mar. 17, 2008]. Retrieved from the Internet: <URL: <http://web.archive.org/web/20030802090124/bbq-tools.com/grillbrush.htm>>.\*

Charcoal Companion, Product Catalog, 1992, selected pages.  
Charcoal Companion, Product Catalog, 1993, selected pages.  
Charcoal Companion, Product Catalog, 2002, selected pages.  
Charcoal Companion, Product Catalog, 2003, selected pages.  
Charcoal Companion, Product Catalog, 2004, selected pages.

(51) **LOC (9) Cl.** ..... **04-01**

(52) **U.S. Cl.** ..... **D4/137; D4/132**

(58) **Field of Classification Search** ..... D4/119,  
D4/137, 199, 132; D32/40, 51, 52; 15/118,  
15/146, 208, 229.11, 229.12, 244.1, 244.2

See application file for complete search history.

*Primary Examiner*—Melanie H Tung

*Assistant Examiner*—Lavone D Tabor

(74) *Attorney, Agent, or Firm*—Donald L. Beeson; Beeson  
Skinner Beverly, LLP

(56) **References Cited**

**U.S. PATENT DOCUMENTS**

1,395,652 A	11/1921	Motter	
1,620,903 A	3/1927	Lance	
1,653,652 A	12/1927	Melniker	
D74,189 S *	1/1928	Robbins	..... D32/52
1,820,183 A	8/1931	Darling	
1,887,294 A	11/1932	Field et al.	
1,899,552 A	2/1933	Bookman	
1,905,307 A	4/1933	Schulhoff	
2,124,429 A	7/1938	O'Brien	
2,496,371 A	2/1950	Baker	
2,514,481 A	7/1950	Ellinger	
2,620,501 A	12/1952	Bailey	
2,629,890 A	3/1953	Di Giovanna	
2,778,049 A	1/1957	Meyer	
2,799,038 A	7/1957	McCall	
2,888,699 A	6/1959	Bubar	
3,015,118 A	1/1962	Strader	
3,090,064 A	5/1963	Garrett	
3,113,335 A *	12/1963	Baicker	..... 401/139
3,473,184 A	10/1969	Buck, Jr.	
3,947,915 A *	4/1976	Kroll	..... 15/229.13

(57) **CLAIM**

The ornamental design for a barbecue grill brush, as shown and described.

**DESCRIPTION**

FIG. 1 is a top perspective view of a barbecue grill brush showing our new design;

FIG. 2 is a bottom perspective view thereof;

FIG. 3 is a front elevational view thereof;

FIG. 4 is a right side elevational view thereof, the left side being a mirror image;

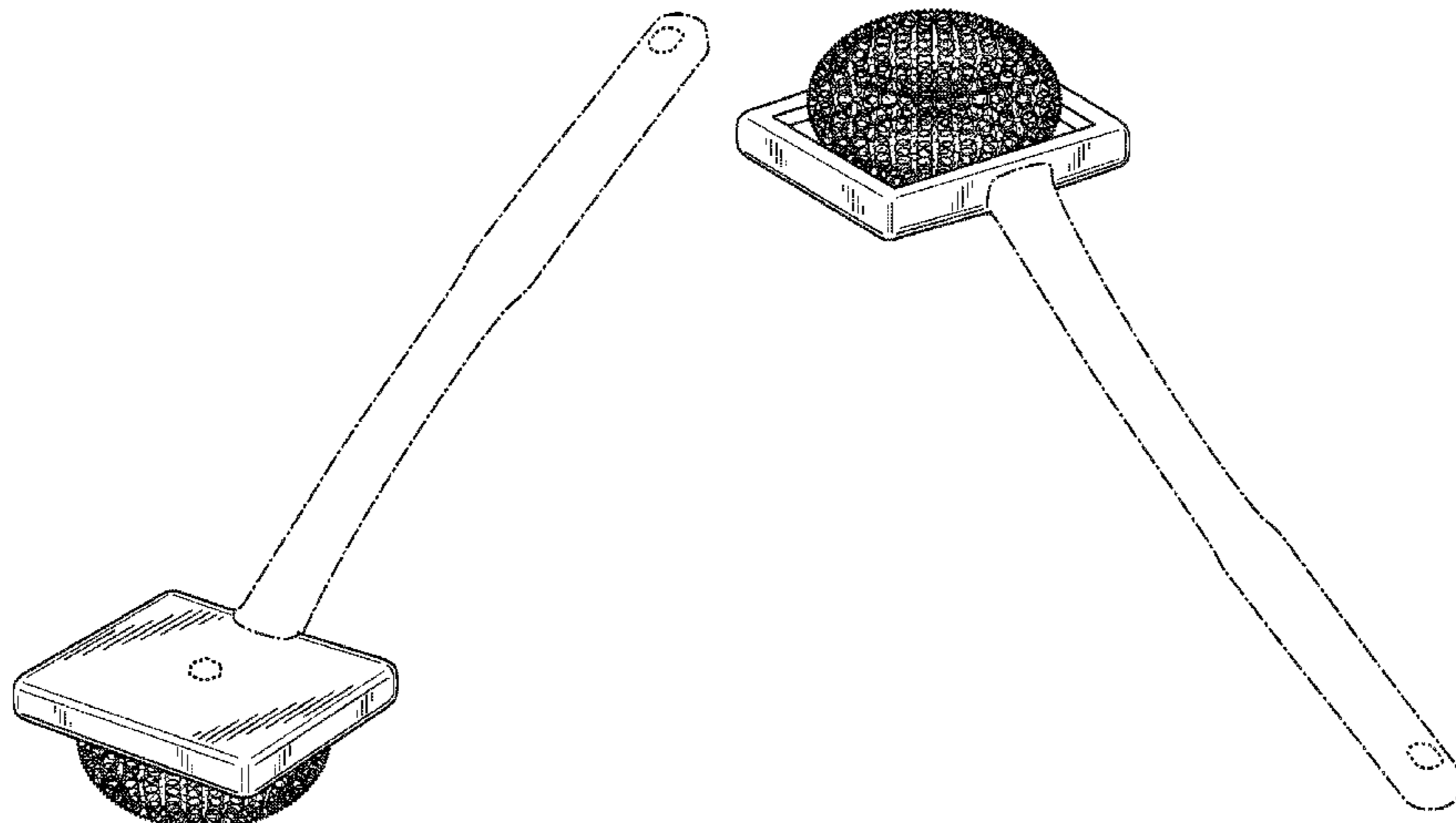
FIG. 5 is a rear elevational view thereof;

FIG. 6 is a top plan view thereof; and,

FIG. 7 is a bottom plan view thereof.

The broken line circle immediately inside the grill brush pad in FIG. 7 represents the bounds of the claimed design, while all other broken lines are for illustrative purposes only; the broken lines form no part of the claimed design.

**1 Claim, 5 Drawing Sheets**



# US D595,057 S

Page 2

---

## U.S. PATENT DOCUMENTS

D358,491 S 5/1995 Hoagland  
D378,959 S 4/1997 Gringer  
D411,368 S 6/1999 Liu  
D417,324 S 11/1999 Farls

6,023,810 A 2/2000 Gessert  
D422,792 S 4/2000 Liu  
D429,889 S 8/2000 Fielding  
D456,614 S 5/2002 Zemel

\* cited by examiner

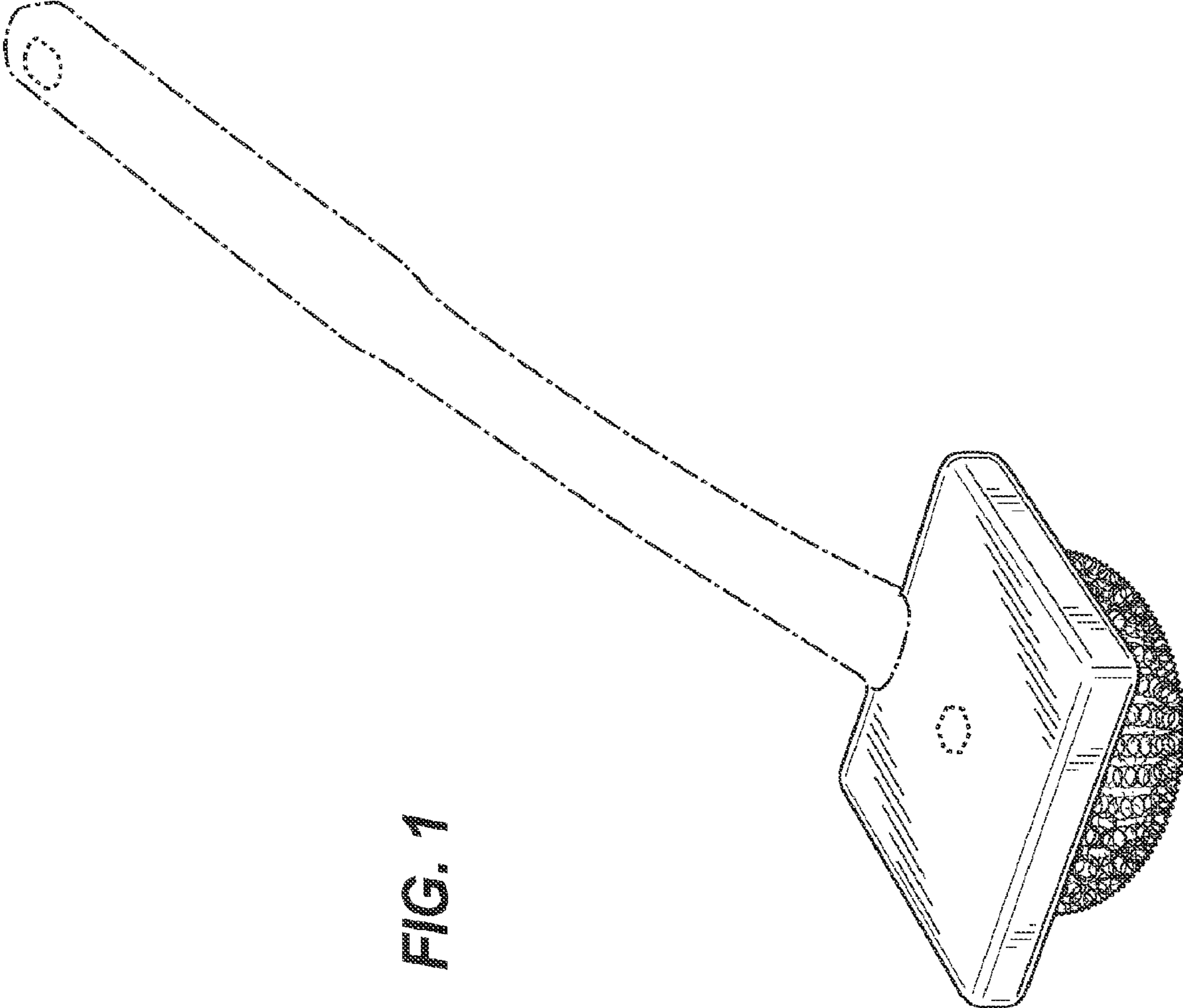


FIG. 1

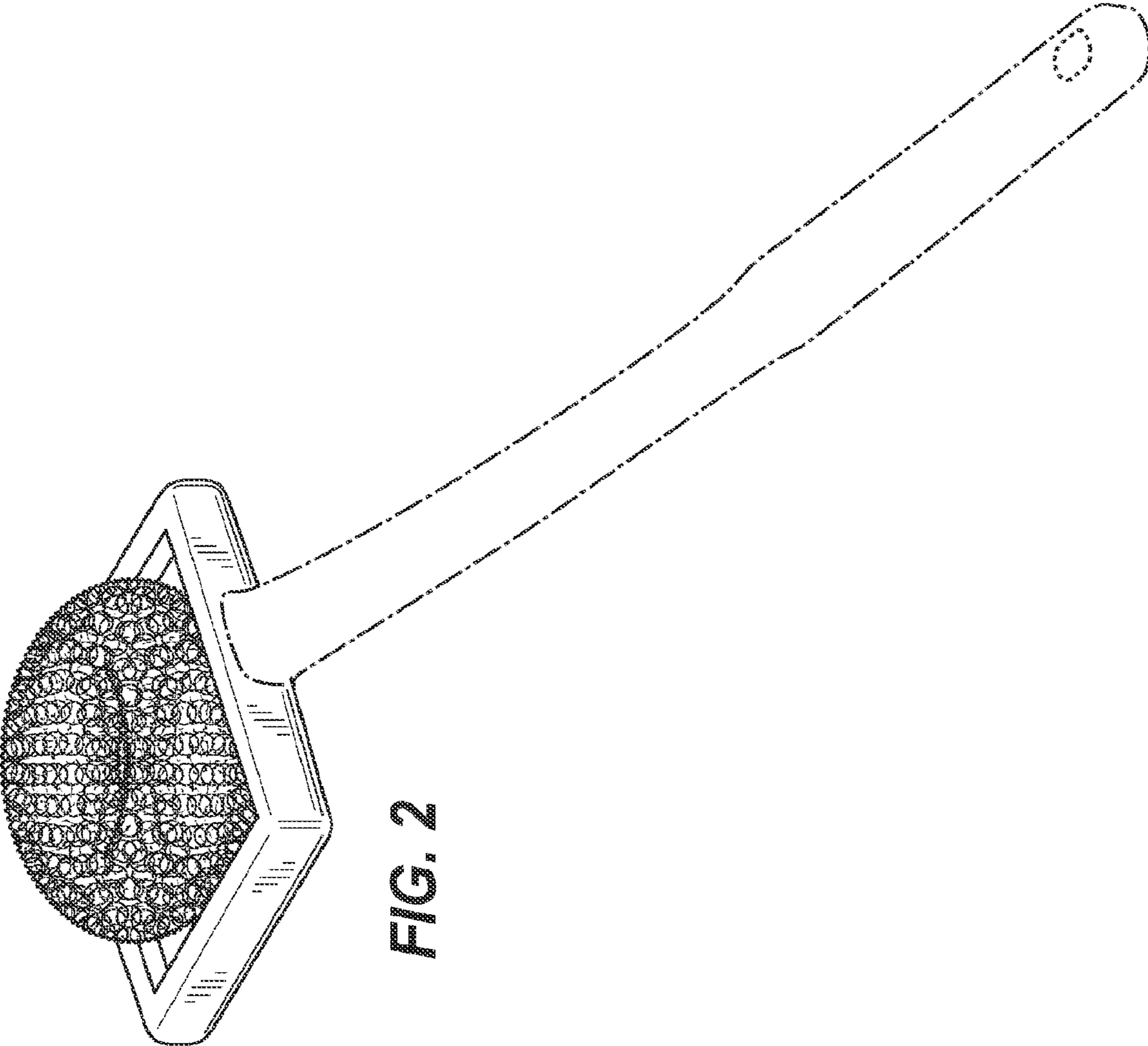
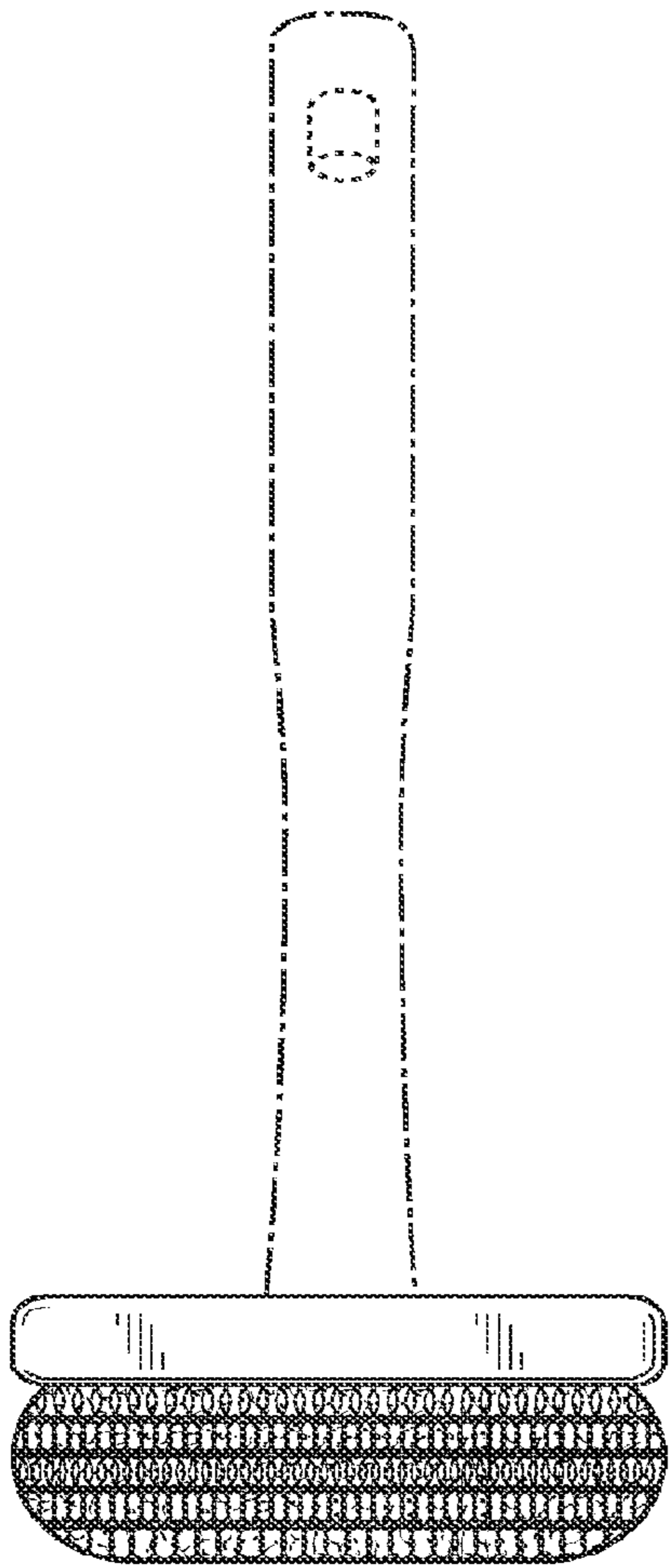
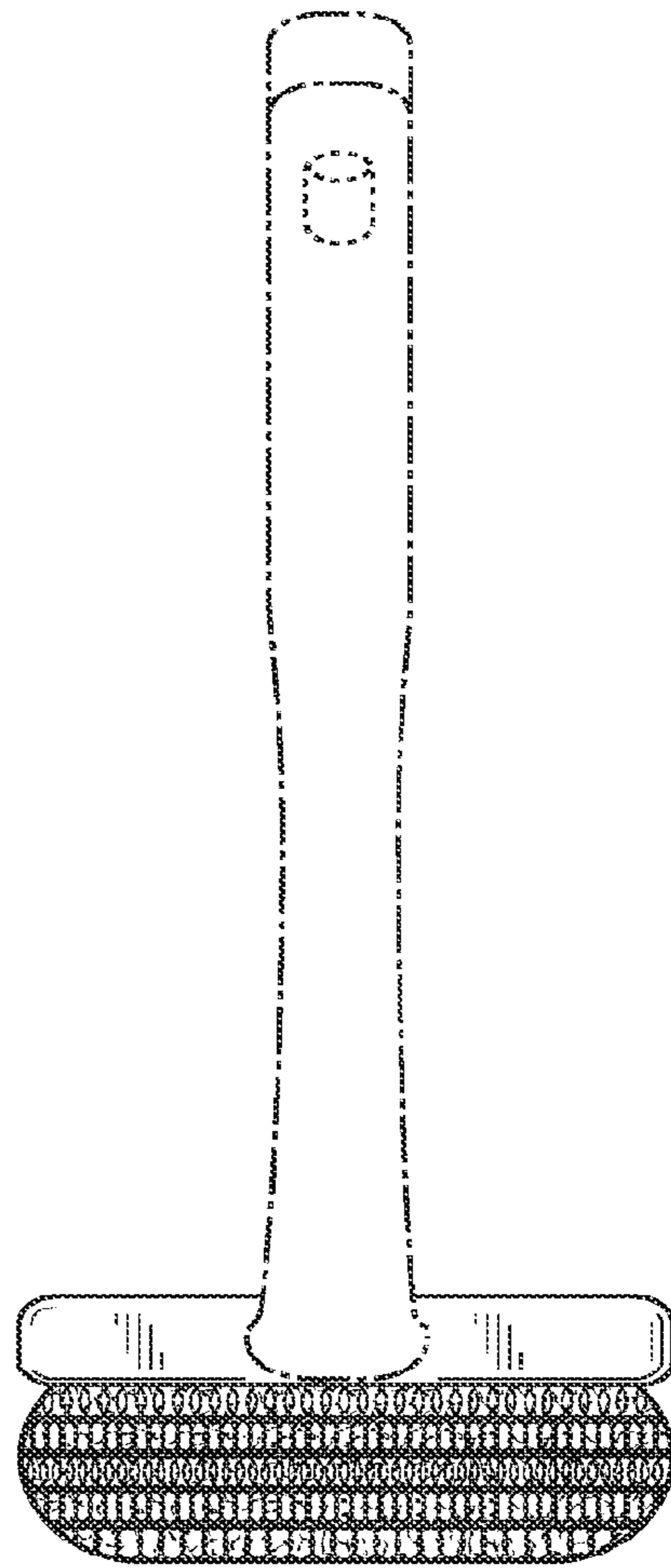


FIG. 2



**FIG. 3**



**FIG. 5**

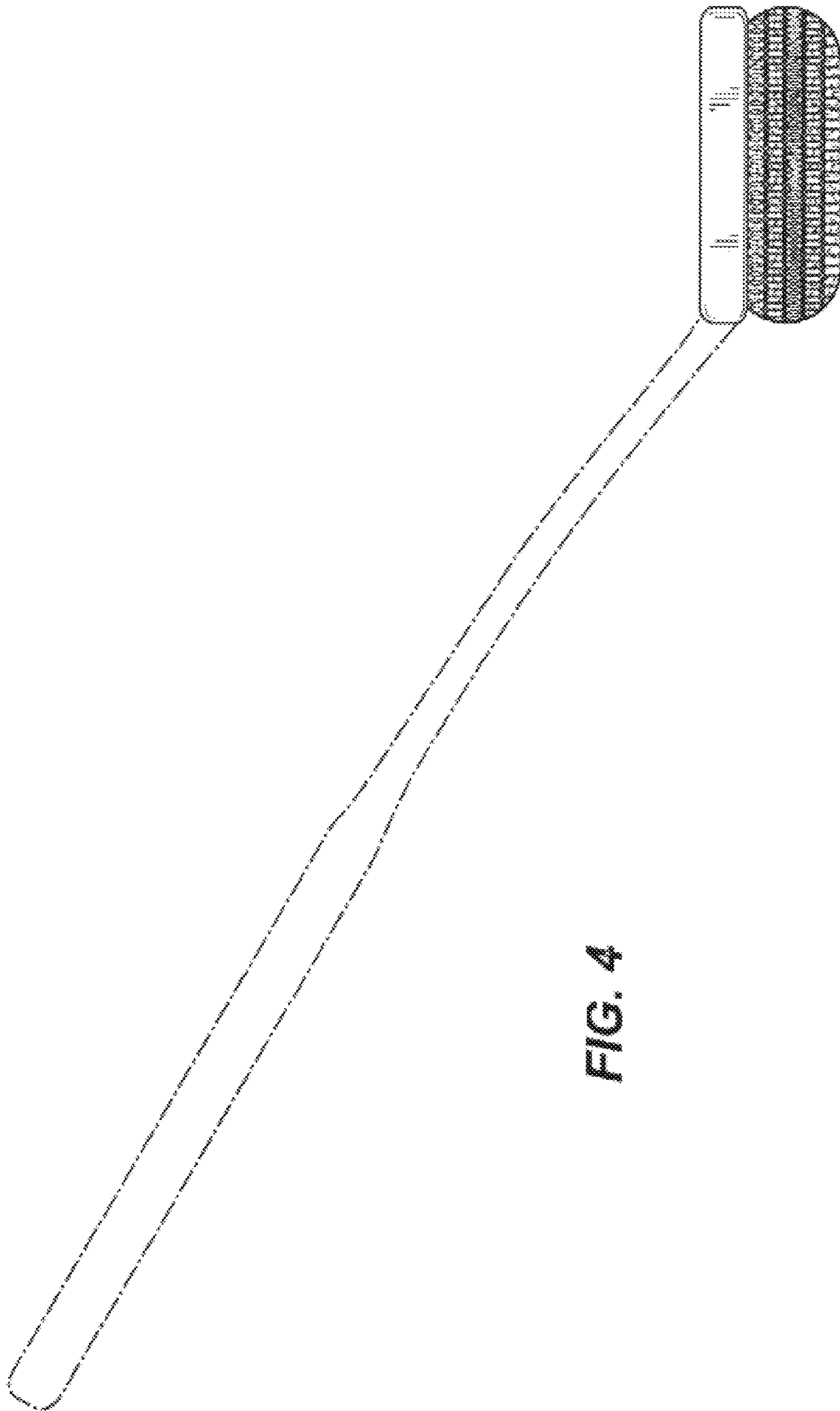
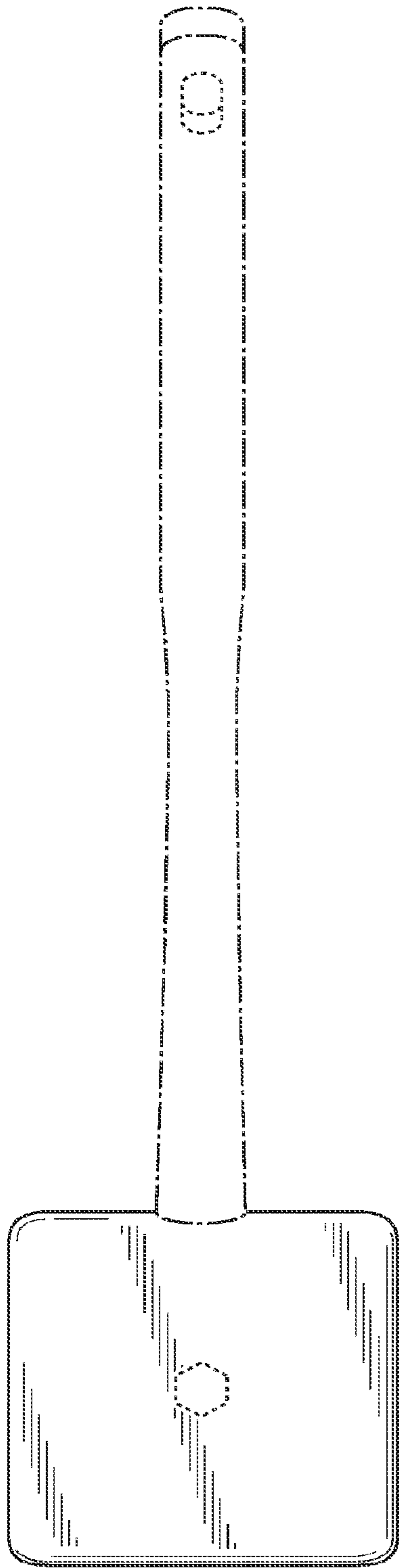
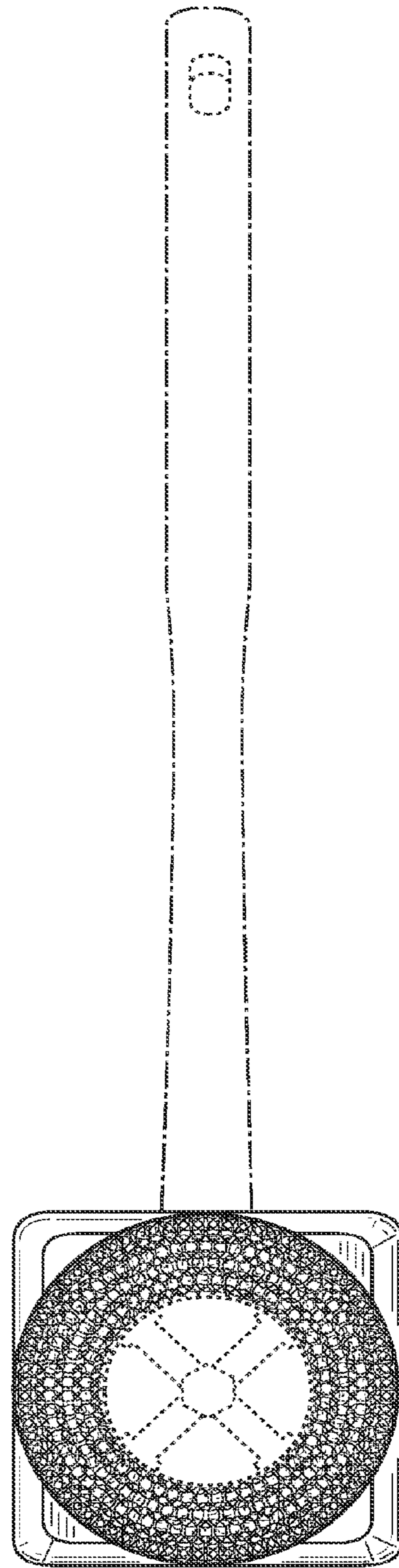


FIG. 4



**FIG. 6**



**FIG. 7**